

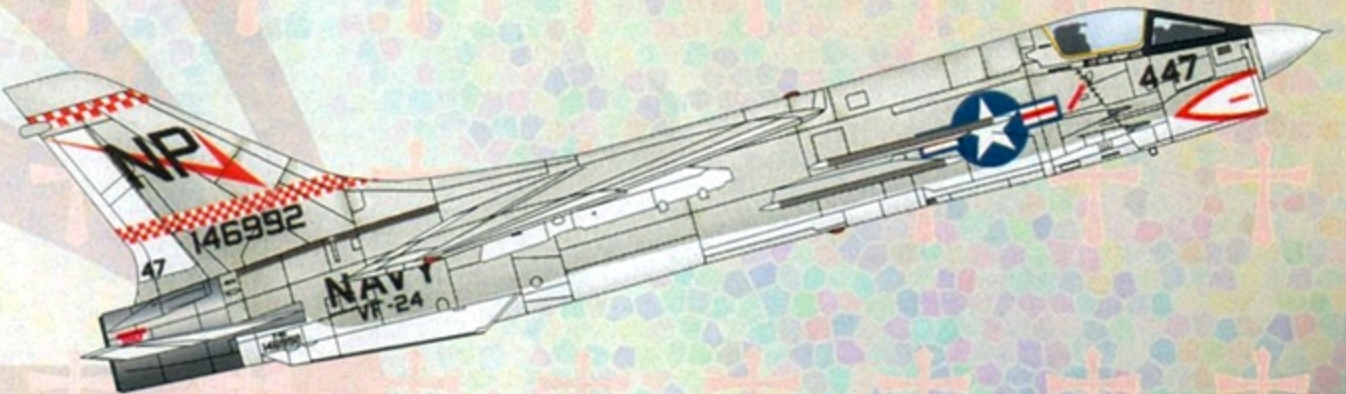
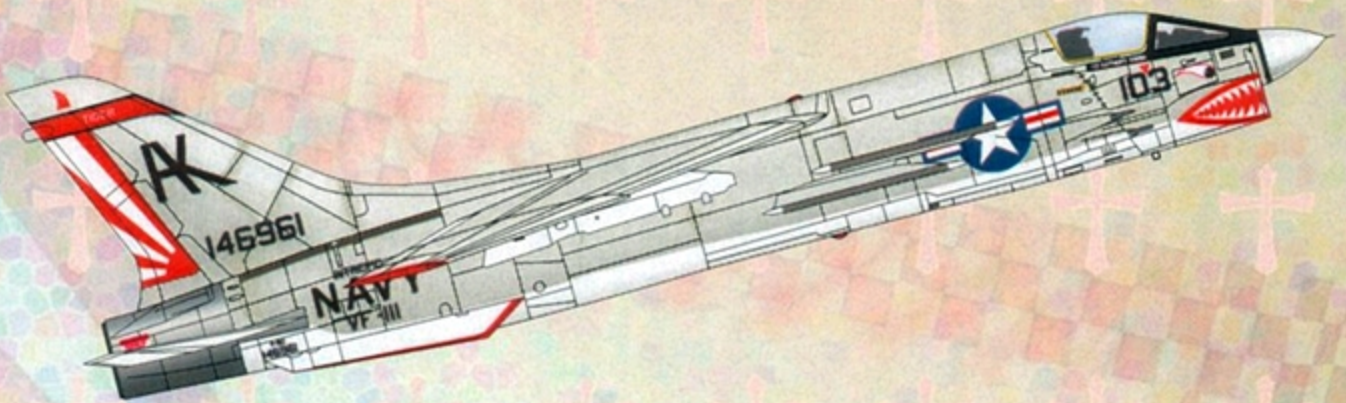
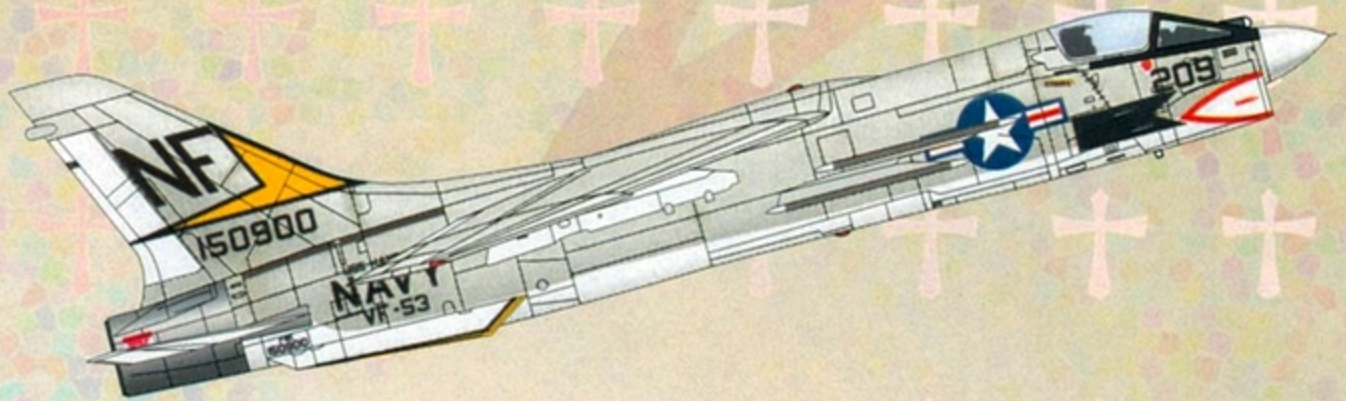
AeroMaster™

PRODUCTS

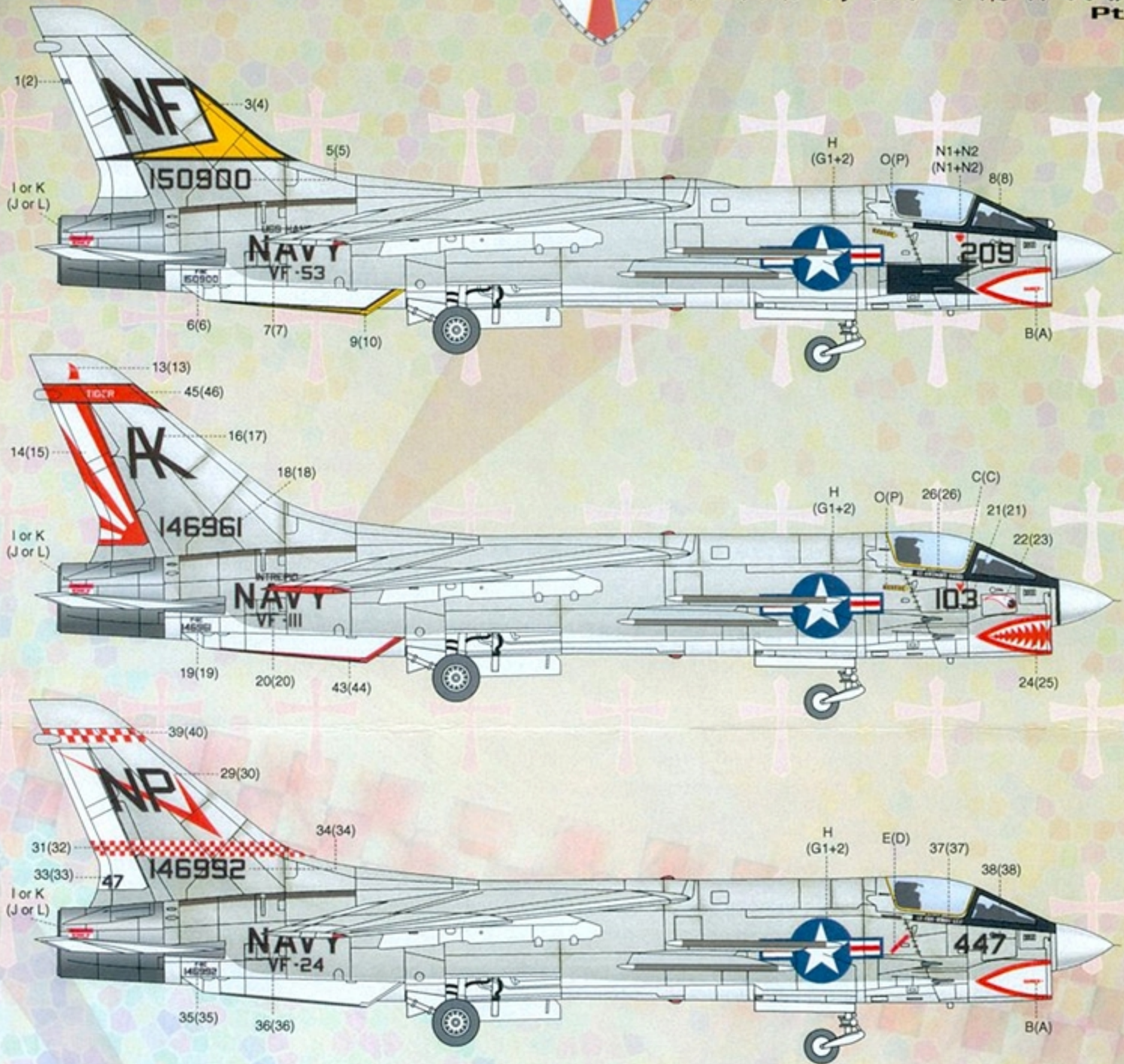


Crusaders of the U.S. Navy

Pt. I



Suggested Kit: Hasegawa F-8 Crusader Family.



F-8E Crusader, USS Hancock during the 1967 deployment to Viet Nam. This a/c was later transferred to VF-211, and later in 1972, while flown by Lt. Jerry Tucker became a Mig killer on May 23. This a/c also served inboard the USS Ticonderoga.

F-8C, USS Intrepid, September 1968. Flown by Lt. Anthony J. Nargi, this a/c achieved the last Crusader kill of the V.N. war. Paint rudder White.

F-8C, USS Bon Home Richard, 21 July, 1967. This a/c was flown by Lt. Cdr. Bob Kirkland, who achieved the only "guns only" Crusader kill of the war. Notice the canopy reads Lt. Bobby Lee who also scored a kill on May 19, 1967, while flying a/c s/n 146981.

Catch us on the net!



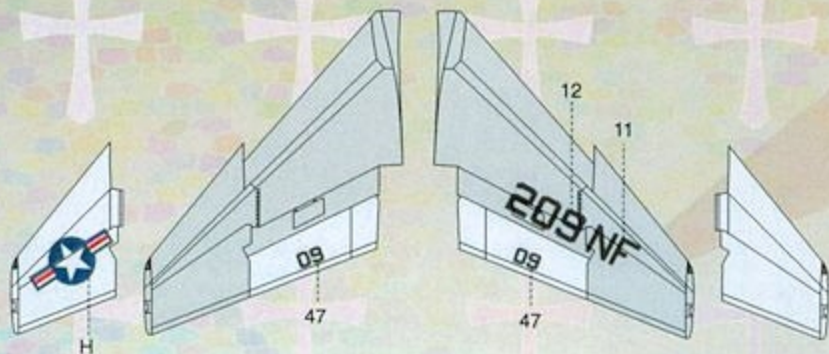
www.AeroMaster.com

Note on Crusaders colors:

Most operational Crusaders wore a camouflage of Non specular (flat) Light Gull Grey (FS 36440) upper surface and a Gloss White (FS 17855) bottom. Upper surfaces of flaps, stabilators and rudders were also Gloss White. Radomes were Gloss White, Flat Black or Tan (Natural Fiberglass color). Walk areas on rear upper fuselage and upper stabilators were Flat Black. Some a/c had Black gun blasts areas in 2 or 3 distinctive patterns. Some postwar Crusaders, were transferred to the Naval Reserves and had a Gloss Light Gull Grey replacing the flat color. All these a/c, as well as most deployed Navy a/c, showed heavy signs of weathering while aboard carriers. Keep this in mind when finishing your model.

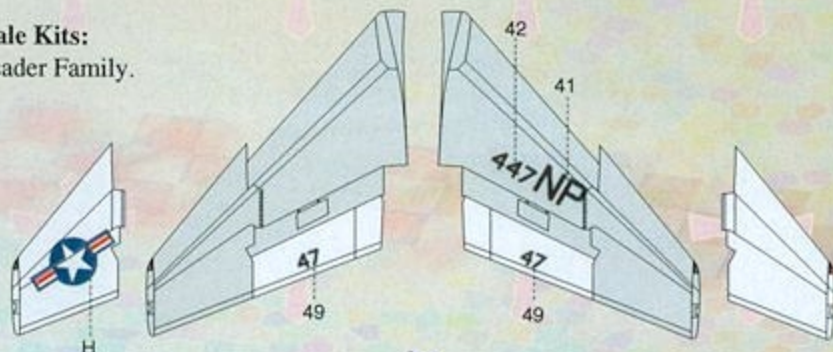
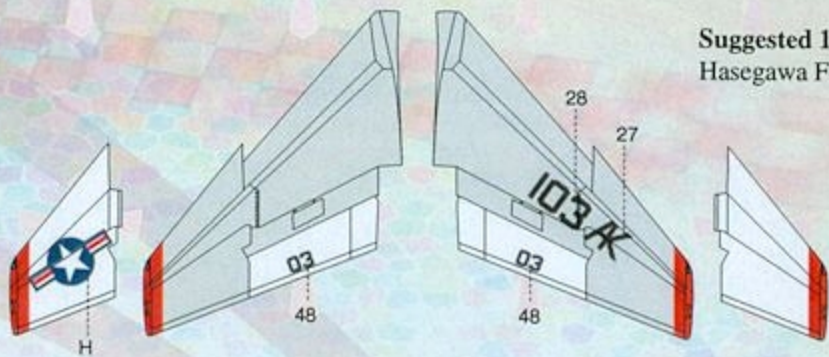
These decals are tailored to the Hasegawa kit, but with a sharp knife and a little patience could be used with the Mongram kit. These 3 a/c had ECM fairings on the trailing edge of the vertical fin and a/c 2 and 3 didn't have an I/R seeker nor the upper wing/fuselage bulge. They all had Sidewinder rails and were early variants of this famous aircraft. Happy Modeling!!

Crusaders of the V.N. War



Assemble insignia parts as shown when in-flight refueling door is to be opened. Center red stripes in the bars. Note the left and right hand bars.

Suggested 1:48 Scale Kits:
Hasegawa F-8 Crusader Family.



Note on upper wing surface numbers:

We don't have good upper view pictures of these A/C. We have matched the shown number locations with available pictures of other a/c of the same Squadron, Carrier and Era. If you have better information on this subject, please let us know so we can share it with other fellow modeller.

AIRES

Aires offers super-detailing accessories for this and many other subjects in their range. Check our website at www.Aeromaster.com for this and many other wonderful products:
Available To You Now!

References:

1. F-8 Crusader in action # 70 (Sullivan) and the early 1973 edition.
2. Osprey #7 F-8 Crusader units of the V.N.War. P. Mersky.

If you have suggestions for future subject matter, AeroMaster would like to hear from you. Our goal is to provide high quality, well researched decals of unusual and interesting subjects. We value our customers' input, so if you have specific suggestions or photographs of unusual subject matter which you would be willing to share, please contact us.