

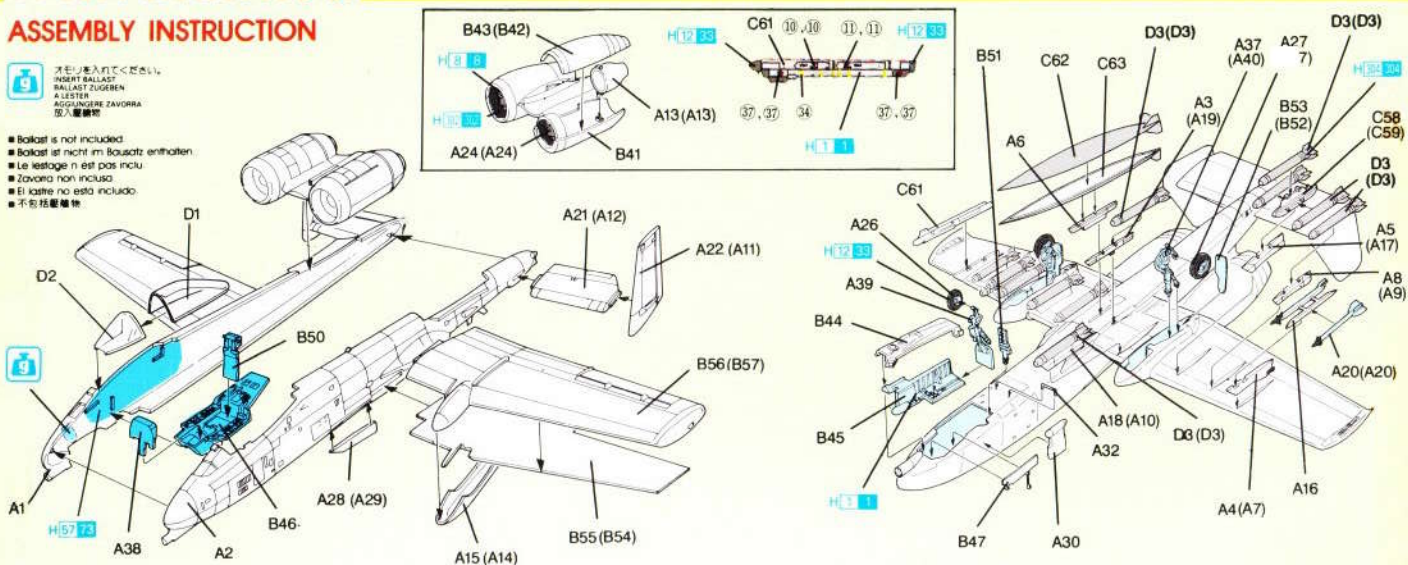
A-10A WARTHOG

A-10A '疣猪' 攻击机

ASSEMBLY INSTRUCTION

9 本步の進入前に必ず、
INSERT BALLAST
BALLAST ZUGEBEN
A L'ESTER
AGGIUNGERE ZAVORRA
加入重錘物

- Ballast is not included.
- Ballast ist nicht im Bauplatz enthalten.
- Le lestage n'est pas inclu.
- Zavorra n'è inclusa.
- El lastre no està incluido.
- 本步不包含重錘物。



MARKING AND PAINTING

- Correct Method for Applying Decals
- ① Clean model surface with wet cloth.
 - ② Cut each design out of decal sheet and dip them in warm water for 20 seconds.
 - ③ Check with finger tip if design is loose on base paper. If so, place it on proper position on model and slide off base paper leaving design on model.
 - ④ Move design to exact position with wet finger tip, and push out excess water and air bubbles under decal with soft cotton cloth.
 - ⑤ When decals got dry, wipe off with wet cloth excess glue left around decals.

■ 貼上水印標貼的正確方法：
將各標貼從紙上切出，浸入溫水約20秒，再放到模型表面正確位置上，將紙層移去，用柔軟的布輕壓，確保效果完美。

H (1) GUNZE SANGYO AQUEOUS HOBBY COLOUR
ITALERI PAINT NO. ■ GUNZE SANGYO MR. COLOUR

H (1) 1	WHITE	1712	H (1) 37	DARK GRAY FS36001	1592
H (1) 3	SILVER	1546	H (1) 38	DARK GREEN FS34092	1764
H (1) 23	FLAT BLACK	1749	H (1) 39	GREEN FS34102	1712
H (1) 26	STEEL	1415	H (1) 34	OLIVE DRAB	1726
H (1) 72	AIRCRAFT GRAY	1728			

