

POLICE CHOPPER

MONOGRAM[®]

KIT 1064

SNAP-TITE[®] MODEL KIT

The Bell Model 206 Jet Ranger has established itself as one of the world's most versatile helicopters. Originally developed for the U. S. Army as the OH-58A "KIOWA," the Jet Ranger has become extremely popular with private and municipal operators. Numerous companies have purchased the speedy Jet Ranger as an executive transport, and a large number have been obtained to serve with police and fire departments throughout the country.

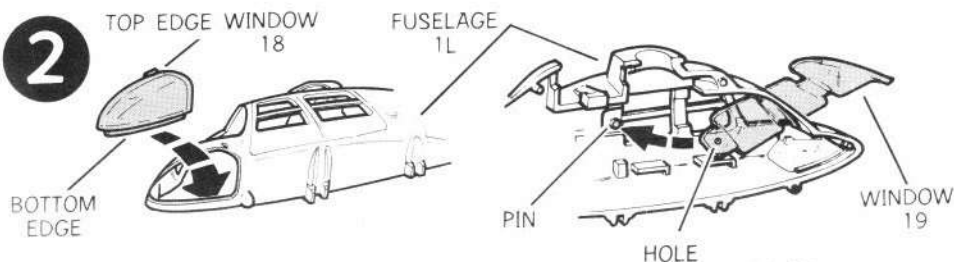
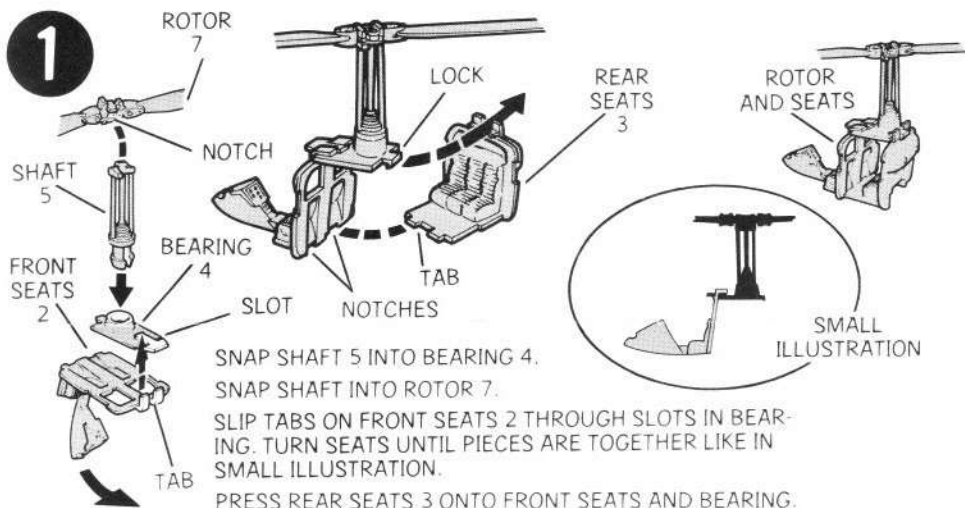
JUST FOLLOW THE EASY STEPS, YOU DON'T NEED CEMENT ON THIS SNAP-TITE MODEL.

MONOGRAM MODELS, INC. Morton Grove, Ill.

Copyright © 1976 & 1989. All rights reserved. Made in U.S.A.

1064 M 0200

WHILE THIS IS A SNAP TOGETHER KIT AND NEEDS NO CEMENTING, THERE'S NO REASON WHY YOU CAN'T USE CEMENT TO JOIN THE PARTS FOR A STRONGER MODEL.



PLACE BOTTOM EDGE OF WINDOW 18 INTO INSIDE OF OPENING IN FUSELAGE 1L.

SNAP TOP EDGE OF WINDOW INTO OPENING.

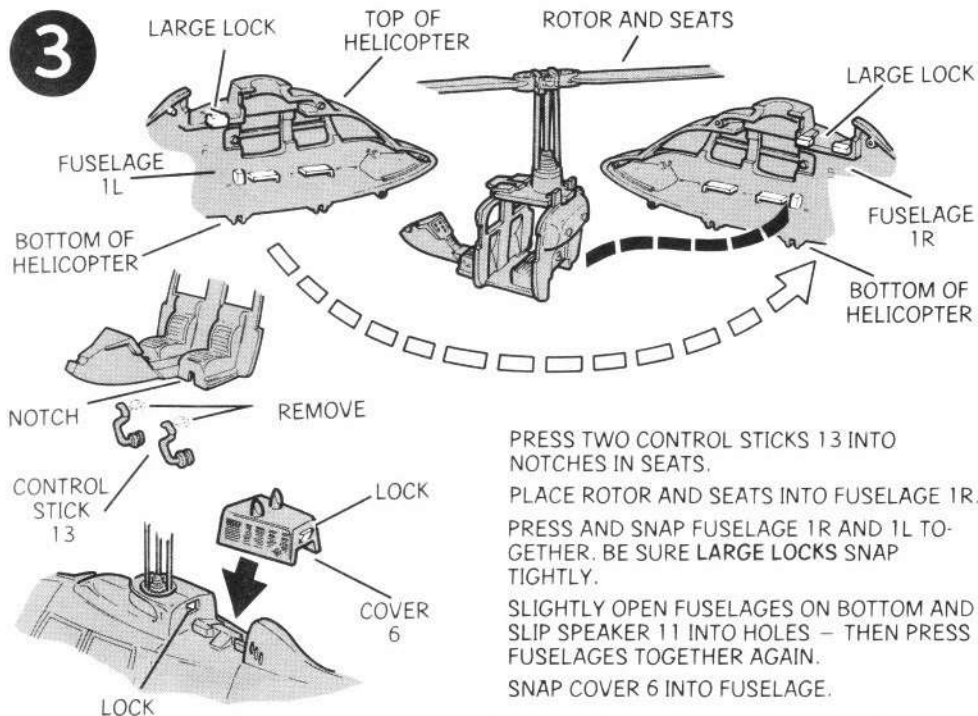
SNAP WINDOW 20 INTO FUSELAGE 1R IN THE SAME WAY.

SLIP WINDOW 19 INTO FUSELAGE 1L - THEN PRESS INTO PLACE.

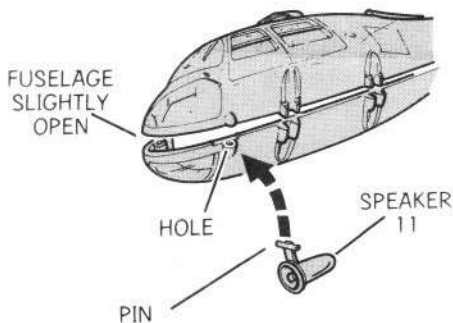
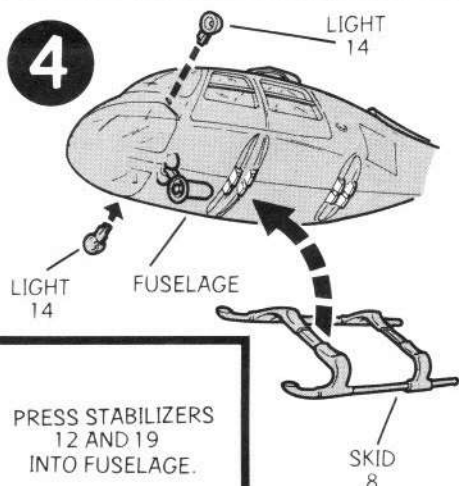
SLIP WINDOWS 17 INTO FUSELAGE 1R - THEN PRESS INTO PLACE.

PLACE SHAFT 10 INTO FUSELAGE 1L.

PRESS ROTOR 9 ONTO SHAFT.

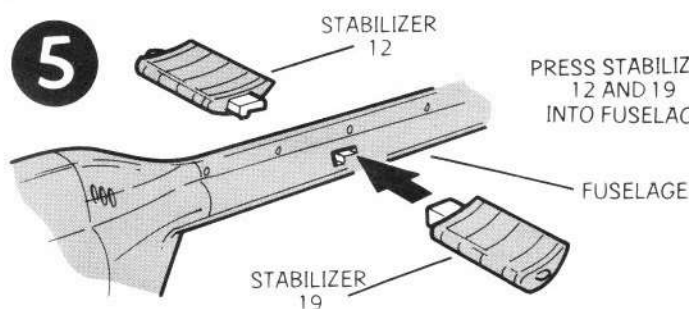
3

PRESS TWO CONTROL STICKS 13 INTO NOTCHES IN SEATS.
 PLACE ROTOR AND SEATS INTO FUSELAGE 1R.
 PRESS AND SNAP FUSELAGE 1R AND 1L TOGETHER. BE SURE LARGE LOCKS SNAP TIGHTLY.
 SLIGHTLY OPEN FUSELAGES ON BOTTOM AND SLIP SPEAKER 11 INTO HOLES - THEN PRESS FUSELAGES TOGETHER AGAIN.
 SNAP COVER 6 INTO FUSELAGE.

**4**

PRESS STABILIZERS 12 AND 19 INTO FUSELAGE.

PRESS SKID 8 INTO FUSELAGE.
 PRESS TWO LIGHTS 14 INTO FUSELAGE.

5**DECALS:**

READ DIRECTIONS ON BACK OF DECAL SHEET BEFORE PUTTING THEM ON THE MODEL. BOX COVER SHOWS WHERE DECALS FIT.