



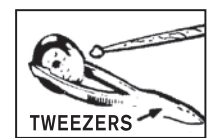
A1133-200

PETERBILT WRECKER

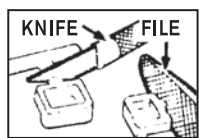
IMPORTANT! READ THESE POINTS BEFORE YOU BEGIN

- 1 "TEST FIT" all parts before cementing. Trim excess plastic from parts before joining.
- 2 Cement all parts unless otherwise indicated by the instructions.
- 3 Use paint and cement made for styrene plastic only.
- 4 Paint all sub-assemblies before attaching chrome parts.
- 5 Scrape chrome and paint away from surfaces to be cemented together.
- 6 Follow all of the numbers on the instruction sheet beginning with number one.

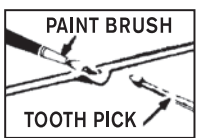
TOOLS



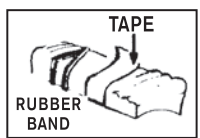
TWEEZERS
TO PLACE, PICK UP AND HOLD SMALL PARTS.



KNIFE
TO REMOVE AND TRIM PARTS. **FILE**
TO REMOVE EXCESS PLASTIC.



CEMENT
USE TOOTH PICK TO APPLY IT.

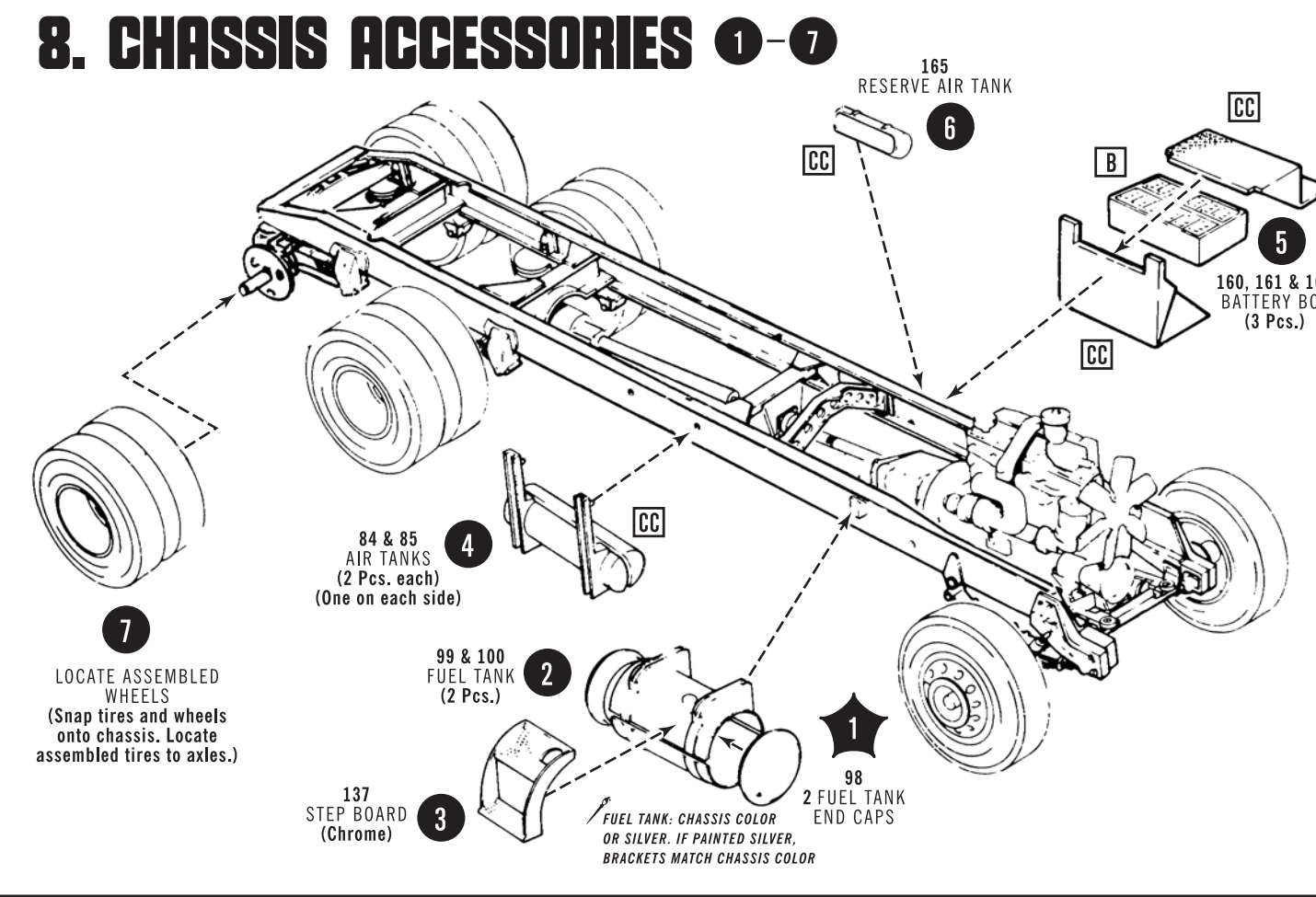
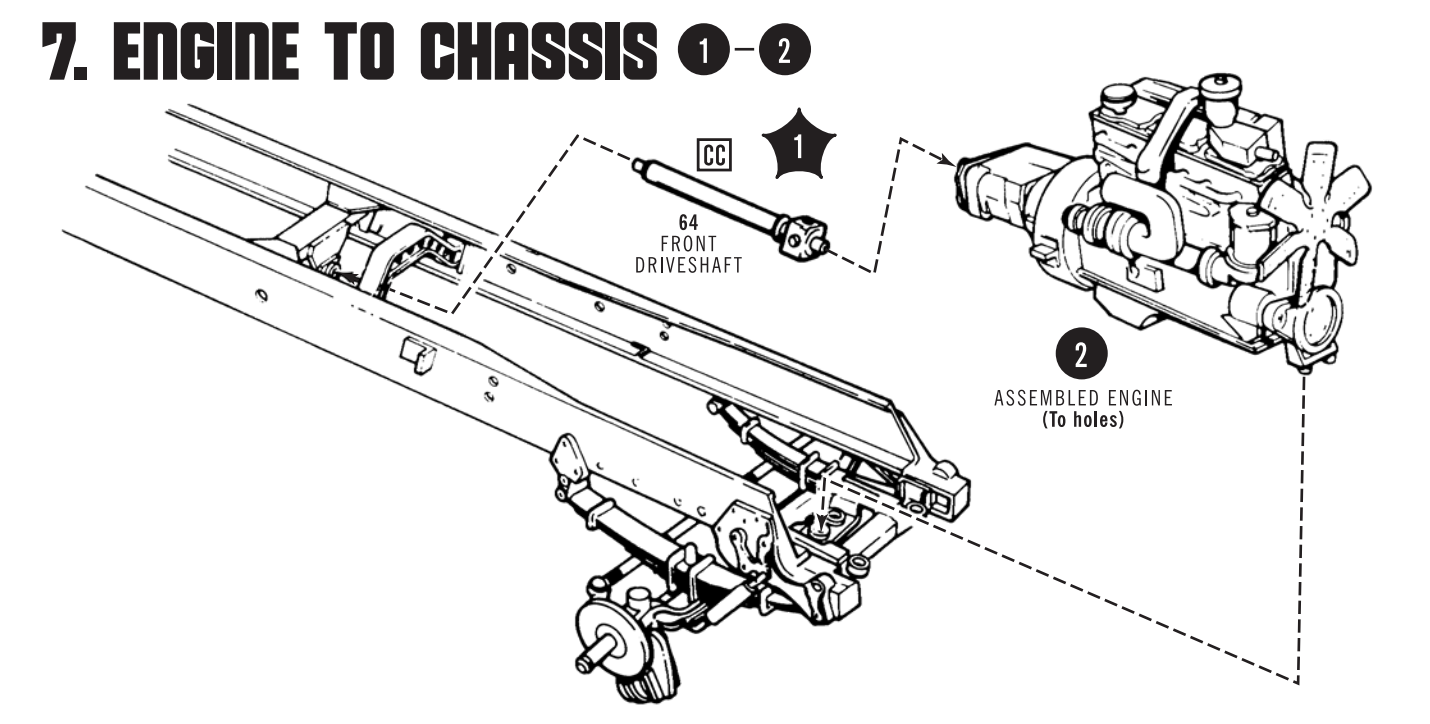
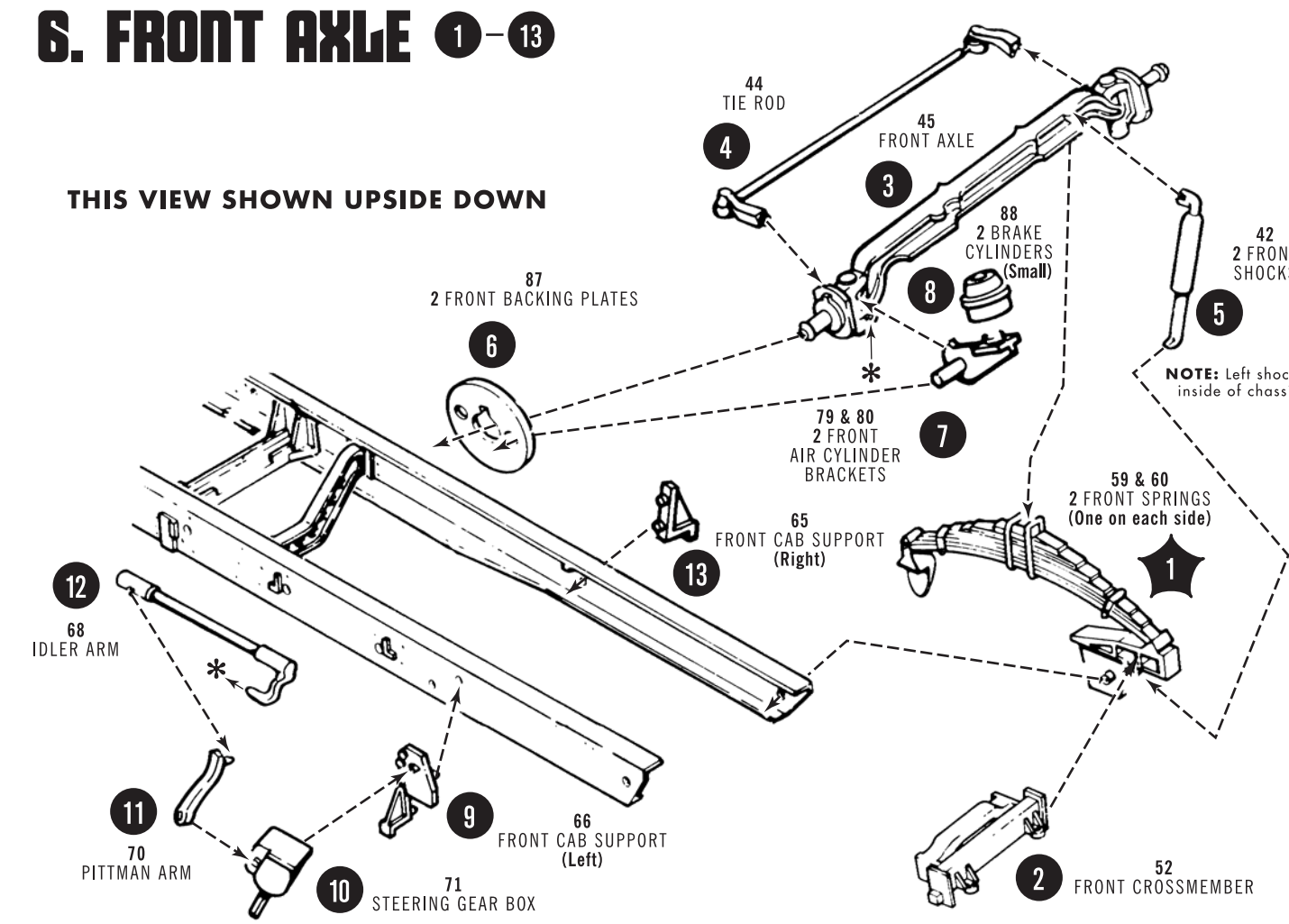
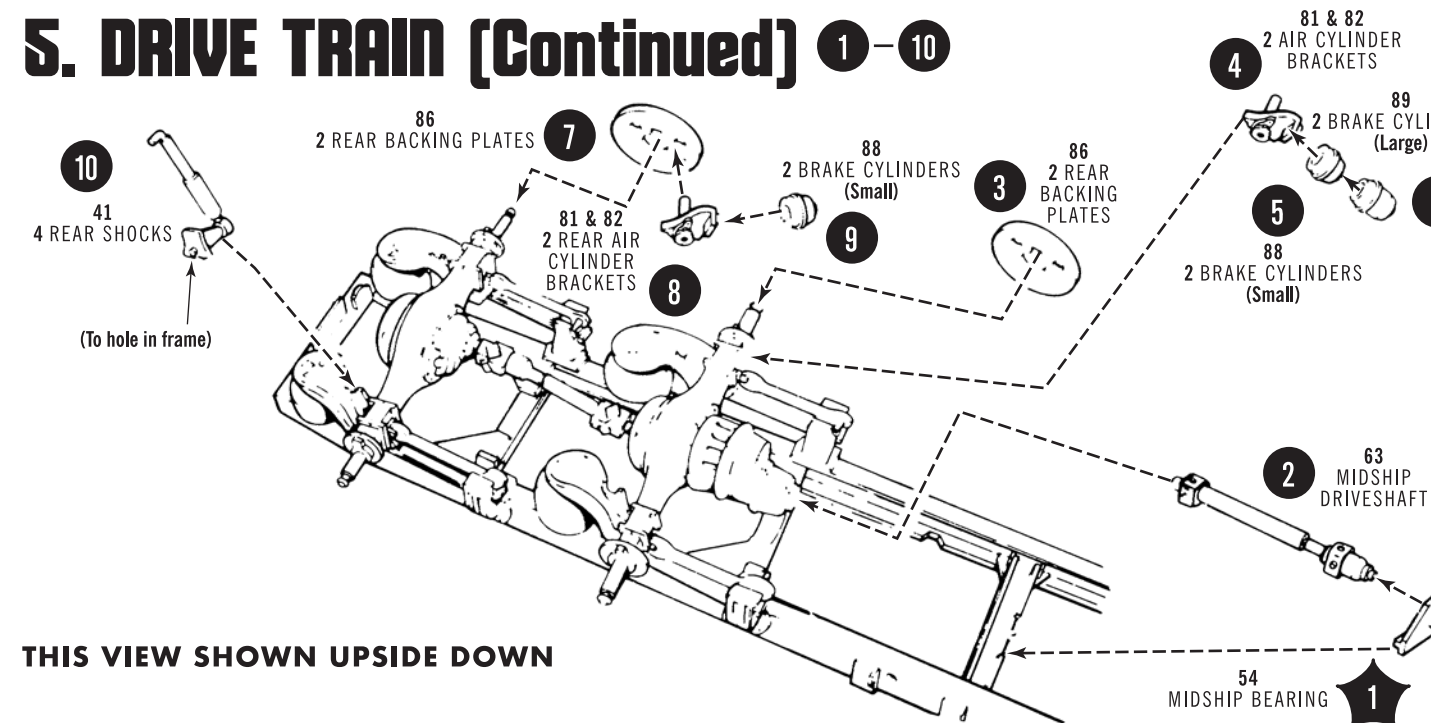
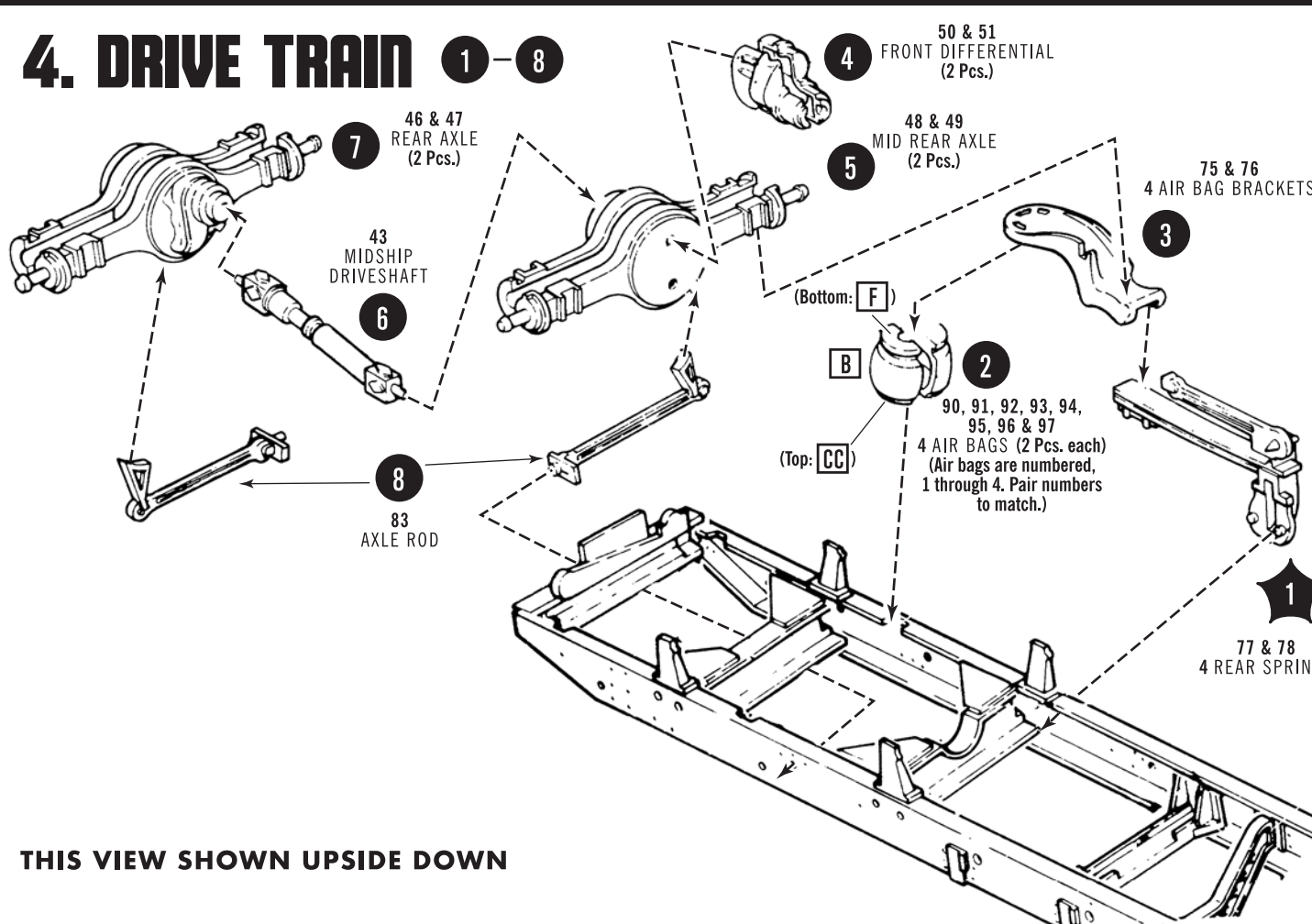
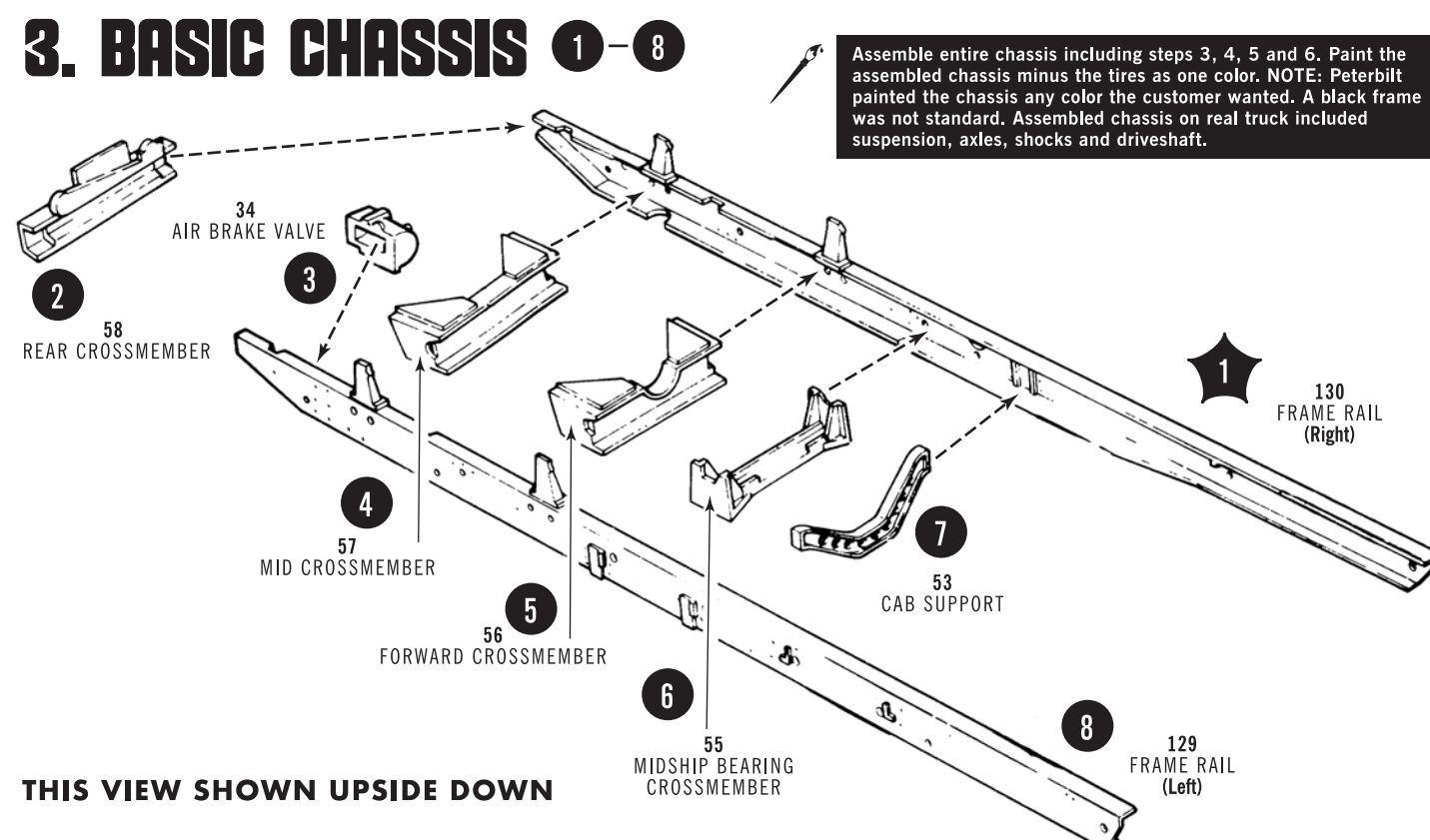
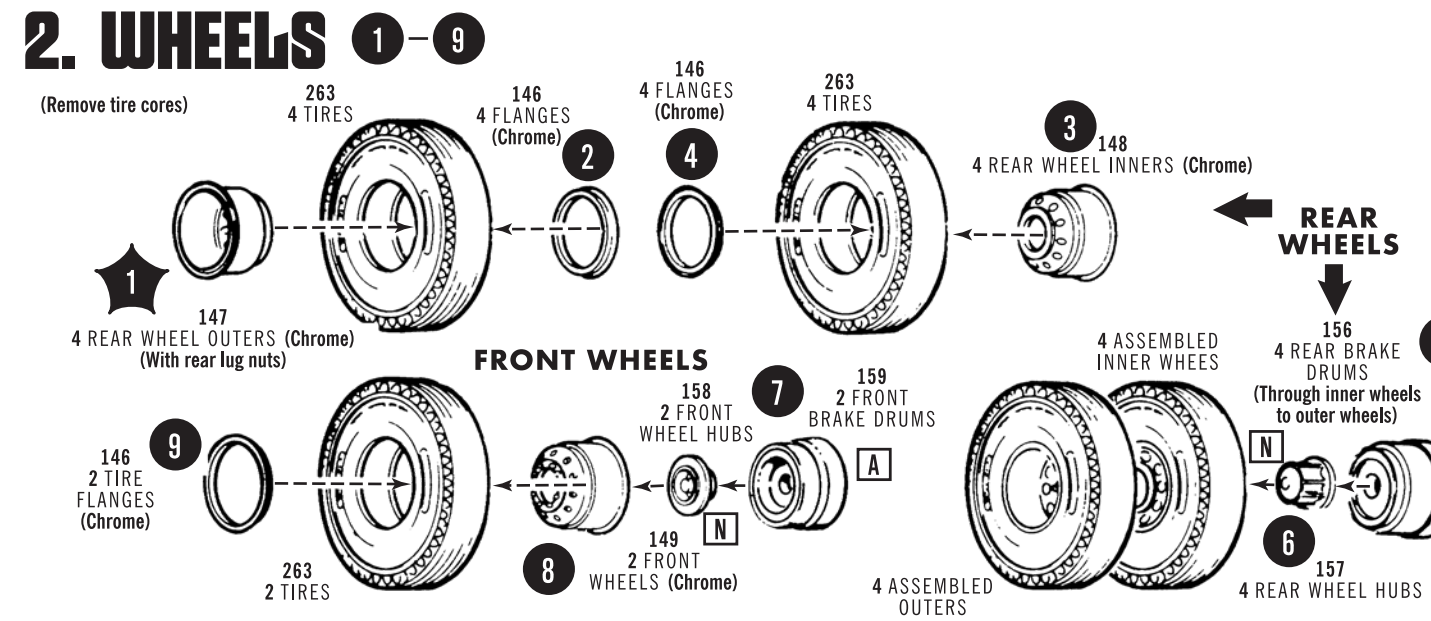
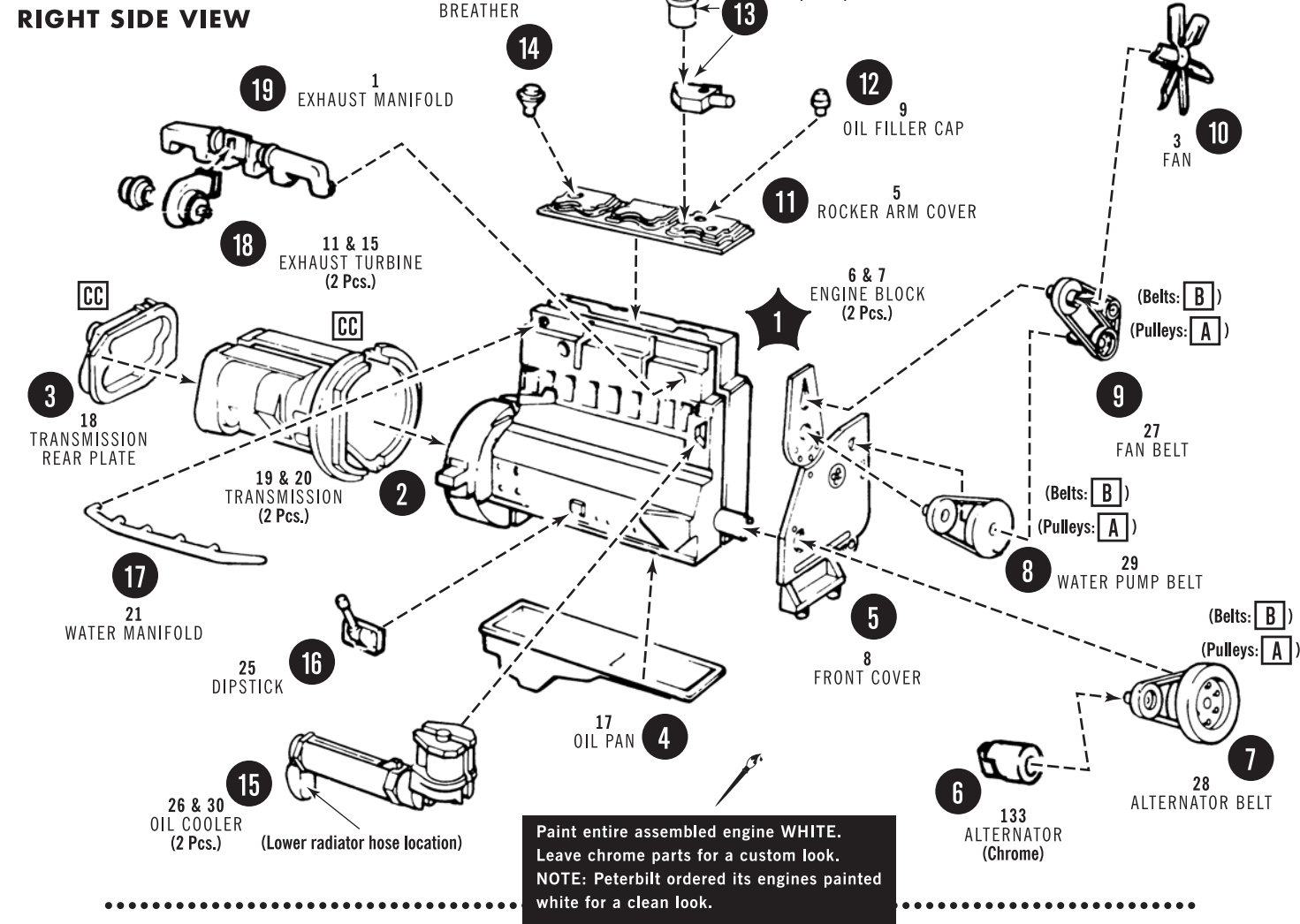


TAPE, RUBBER BAND AND CLOTHES PINS
TO CLAMP AND HOLD PARTS UNTIL THEY ARE DRY.

IMPORTANT NOTE: Do not remove parts from runners until ready to use.

- 1 START OF ASSEMBLY
- 5 ASSEMBLY SEQUENCE NUMBER
- 122 THIS REFERENCE NUMBER MAY BE USED TO LOCATE THE PART ON THE BOX TRAY. (IT IS NOT A PART NUMBER)

I. ENGINE 1-19



PAINT COLORS

A Black	I Steel	Q Yellow	Y Dark Green
B Flat Black	J Brass	R Ivory	IC Interior Color
C Semi-Gloss Black	K Gold	S Brown	CC Chassis Color
D White	L Amber	T Lt. Blue	WB Wood Brown
E Flat White	M Transparent Amber	U Med. Blue	BC Body Color
F Silver	N Red	V Dark Blue	DR Dark Red
G Chrome (Bright Silver)	O Transparent Red	W Med. Green	PC Pading Color
H Aluminum	P Orange	X Lt. Green	▲ Metallic

It is recommended that you search the internet for additional color references and details.

Firestone
OFFICIALLY LICENSED PRODUCT

PETERBILT TRADEMARKS LICENSED BY PACCAR INC, BELLEVUE, WASHINGTON, U.S.A. Firestone and F Shield Logo are registered trademarks of BFS Brands, LLC and are used with permission. AMT and design is a registered trademark of Round 2, LLC. ©2019 Round 2, LLC, South Bend, IN 46628 USA. Product and packaging designed in the USA. Made in China. All rights reserved.

