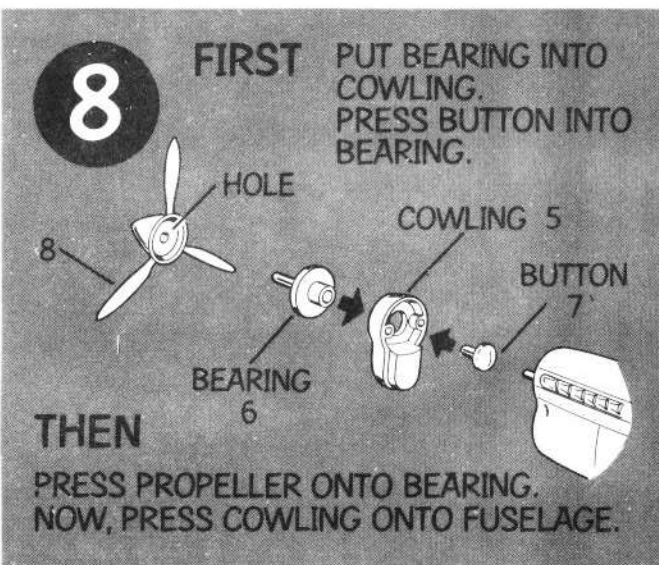


THE P-40F HAD A BRITISH ROLLS-ROYCE ENGINE. THE PLANE WEIGHED 9,870 LBS. AND HAD A TOP SPEED OF 373 MPH. THE P-40 FOUGHT ON MANY BATTLE FRONTS AND HAD THE MARKINGS OF VARIOUS COUNTRIES.

WHILE THIS IS A SNAP-TITE MODEL KIT AND NEEDS NO CEMENT-ING, THERE'S NO REASON WHY YOU CAN'T USE CEMENT TO JOIN THE PARTS FOR A STRONGER MODEL.

SNAP-TITE MODEL KIT

JUST FOLLOW THE EASY STEPS, YOU DON'T NEED CEMENT ON THIS SNAP-TITE MODEL.



APPLY DECALS TO MODEL AS SHOWN ON FRONT PAGE AND BOX TOP. READ APPLICATION INSTRUCTIONS ON BACK OF DECAL SHEET.

PAINTING

YOU CAN PAINT THE DETAILS LISTED. USE ONLY ENAMEL OR PAINT FOR PLASTICS. A SMALL POINTED BRUSH IS BEST FOR DETAILS...

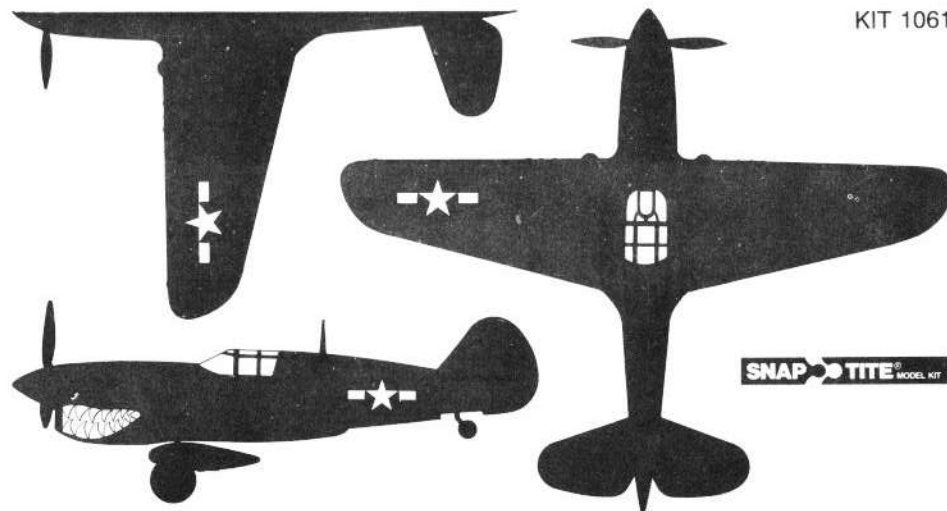
FLAT BLACK—TIRES, EXHAUST PIPES, MACHINE GUNS, PROPELLER BLADES, TAIL WHEEL, INSIDE OF FRONT AIR SCOOP.

SILVER—LANDING GEAR STRUTS, TAIL WHEEL STRUT.

RED—SPINNER AND PILOT HEADREST.

YELLOW—TIPS OF PROPELLER BLADES.

PILOT—FLESH HANDS AND FACE, TAN UNIFORM, BROWN HELMET AND SHOES, OLIVE DRAB STRAPS.



SNAP-TITE MODEL KIT

TIGER SHARK P-40F

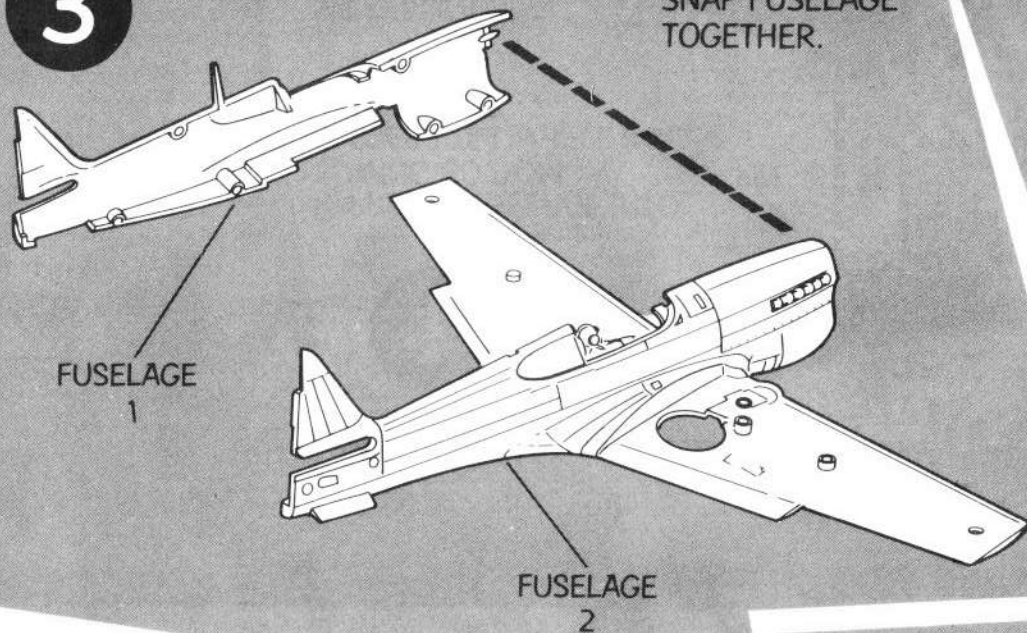
MONOGRAM

MONOGRAM MODELS, INC. Morton Grove, Ill.

Copyright © 1974 & 1989. All rights reserved. Made in U.S.A.

1061 M 0200

3

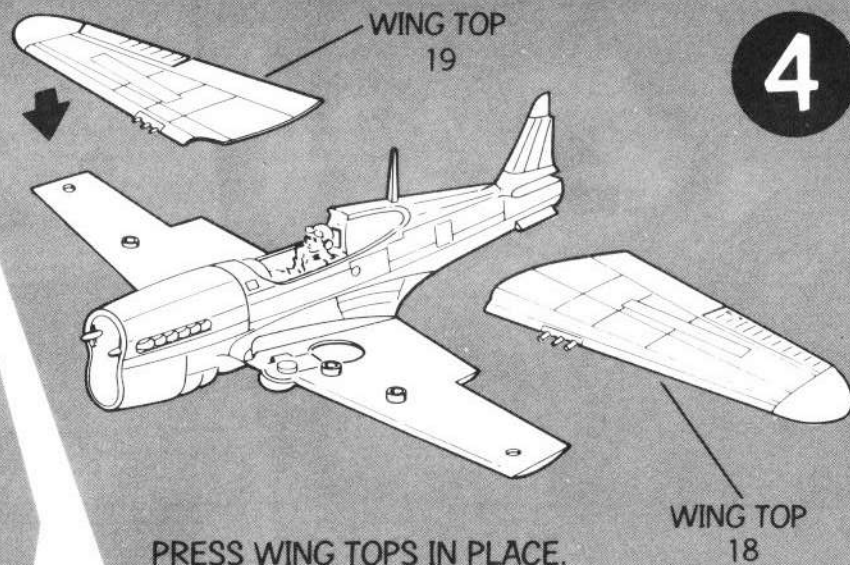


SNAP FUSELAGE TOGETHER.

FUSELAGE 1

FUSELAGE 2

4



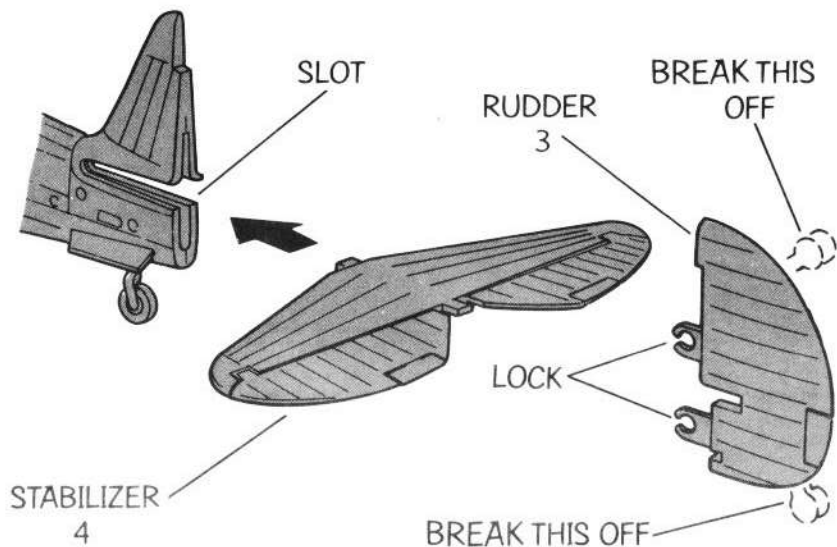
PRESS WING TOPS IN PLACE.

WING TOP 19

WING TOP 18

5

PUSH STABILIZER INTO SLOT. SNAP RUDDER INTO PLACE.



SLOT

RUDDER 3

BREAK THIS OFF

LOCK

BREAK THIS OFF

STABILIZER 4

6

FIRST

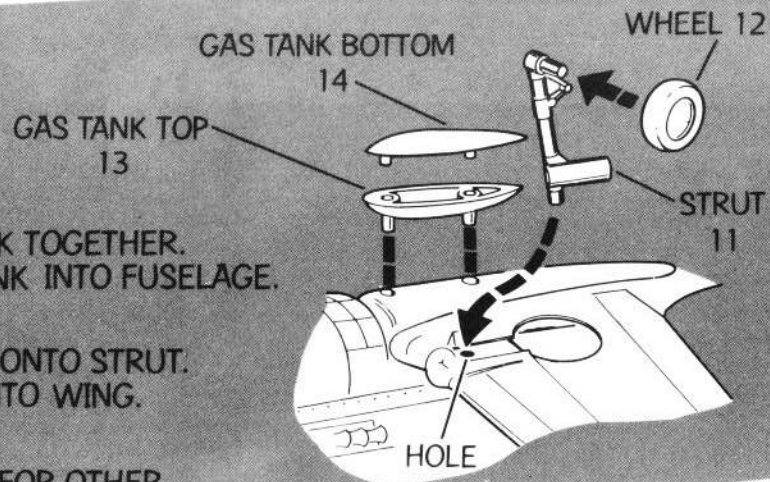
SNAP GAS TANK TOGETHER. PRESS GAS TANK INTO FUSELAGE.

THEN

PRESS WHEEL ONTO STRUT. SNAP STRUT INTO WING.

LAST

DO THE SAME FOR OTHER WHEEL AND STRUT.



GAS TANK BOTTOM 14

WHEEL 12

GAS TANK TOP 13

STRUT 11

HOLE

7

SNAP CLEAR CANOPY INTO PLACE.

CLEAR CANOPY

PIN

HOLE

