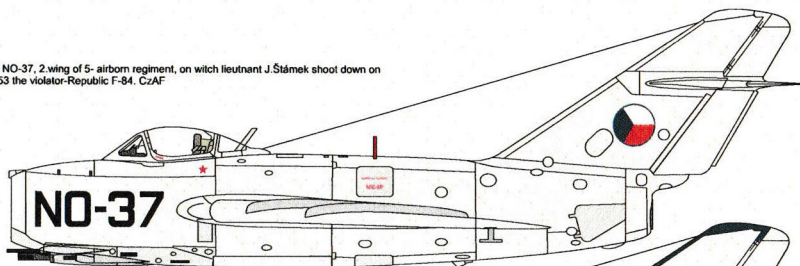


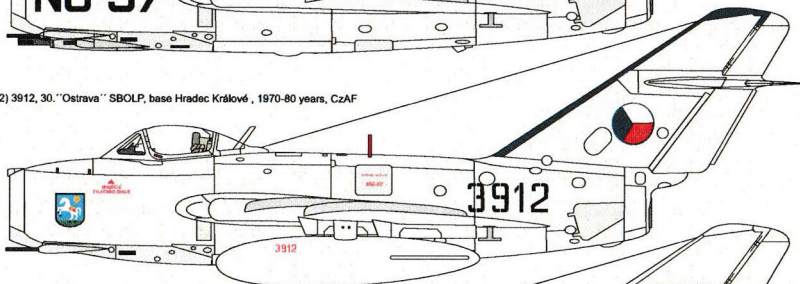
MIG - 15

in the Cold War

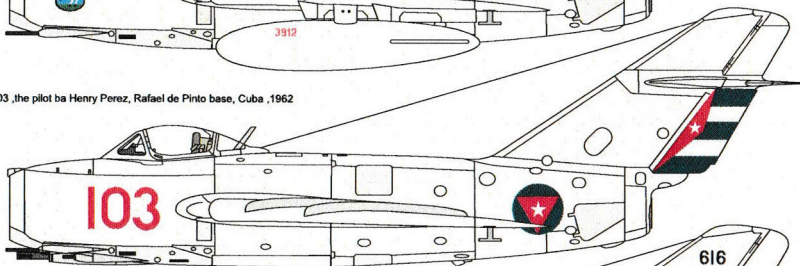
MIG-15 (S-102) NO-37, 2. wing of 5- airborn regiment, on witch lieutenant J. Štánek shoot down on March 10-th 1953 the violator-Republic F-84. CzAF



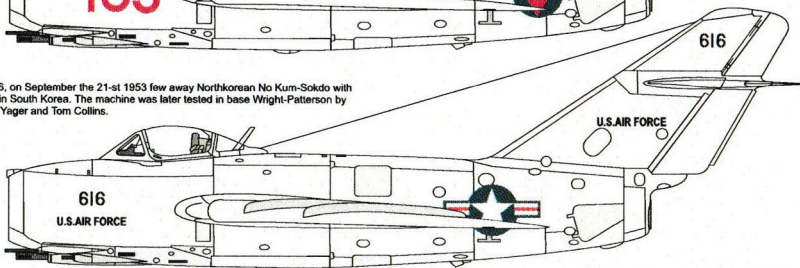
MIG-15 R (S-102) 3912, 30. "Ostrava" SBOLP, base Hradec Králové , 1970-80 years, CzAF



MIG-15Bis, n.103 ,the pilot ba Henry Perez, Rafael de Pinto base, Cuba , 1962



MiG-15Bis, 7616, on September the 21-st 1953 few away Northkorean No Kum-Sokdo with MiG-15 to Soul in South Korea. The machine was later tested in base Wright-Patterson by test pilot Chuck Yeager and Tom Collins.



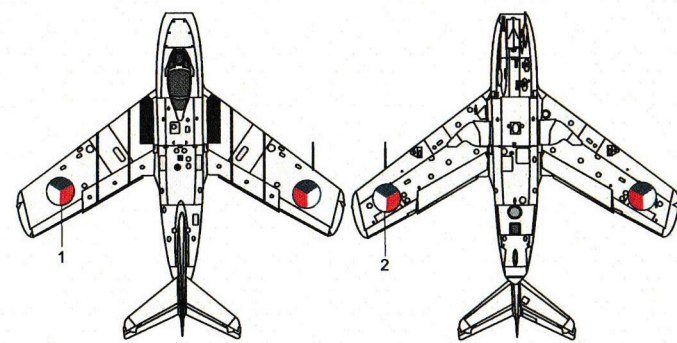
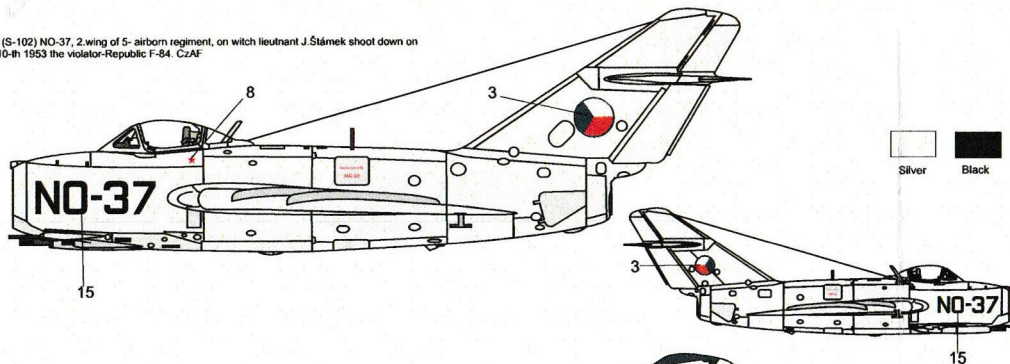
Part 1

Stencils for one aircraft are included in the decal set

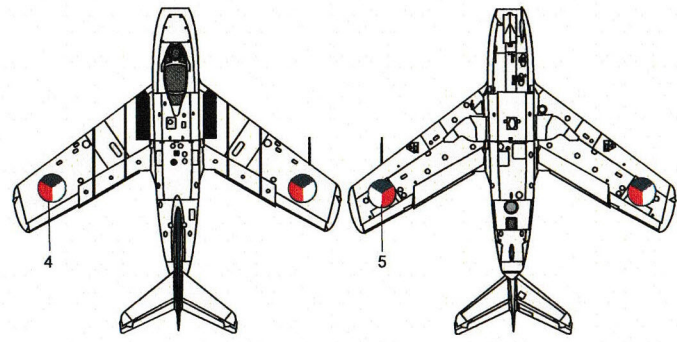
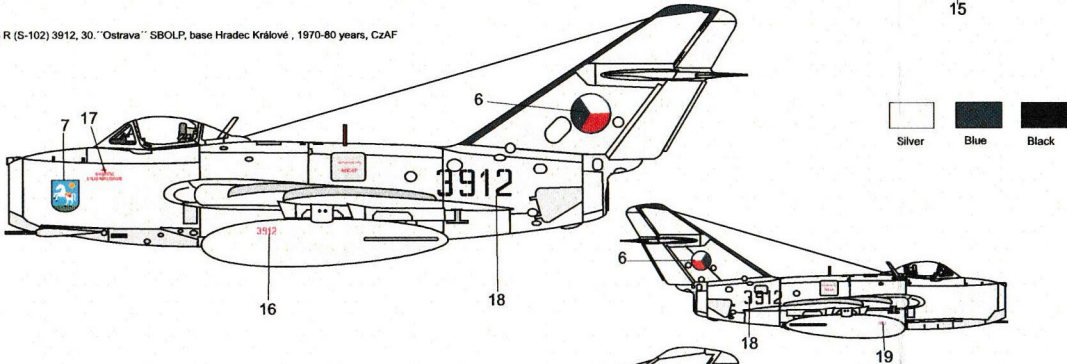
Limited series only 300 pcs!

HMD72006

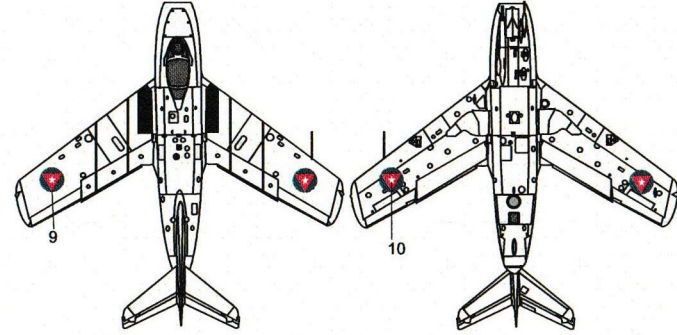
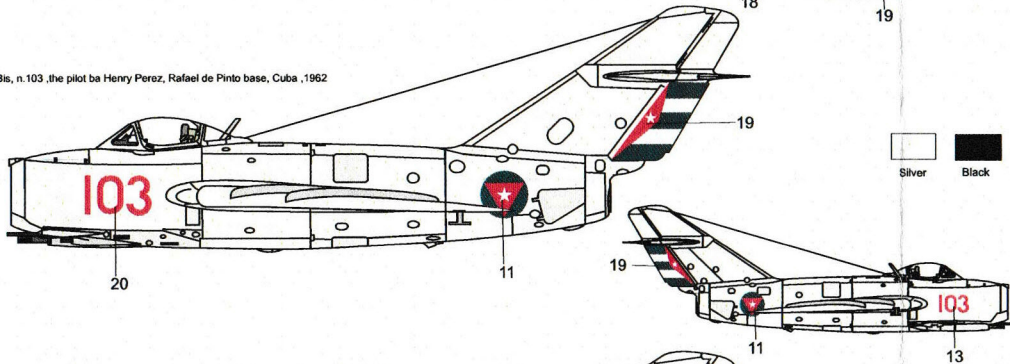
MIG-15 (S-102) NO-37, 2.wing of 5- airborn regiment, on wich lieutenant J.Štánek shoot down on March 10-th 1953 the violator-Republic F-84. CzAF



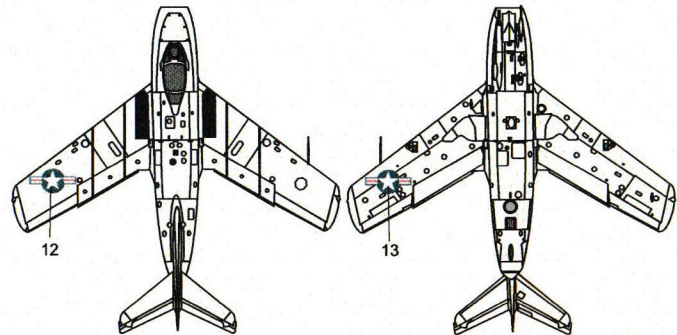
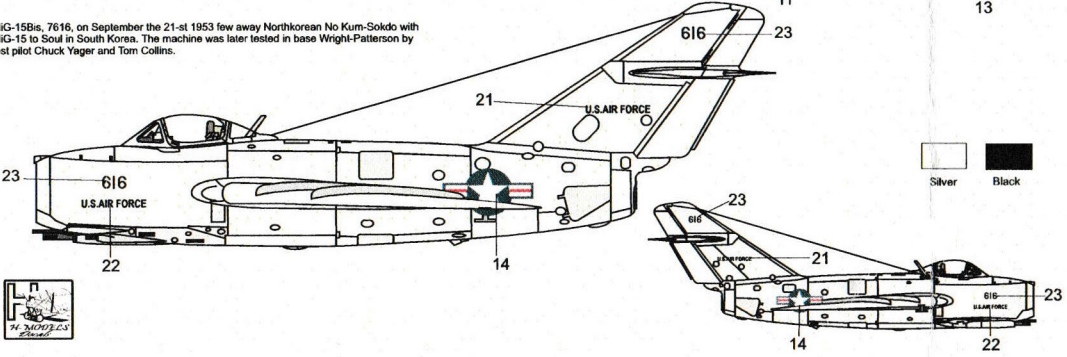
MIG-15 R (S-102) 3912, 30. "Ostrava" SBOLP, base Hradec Králové, 1970-80 years, CzAF



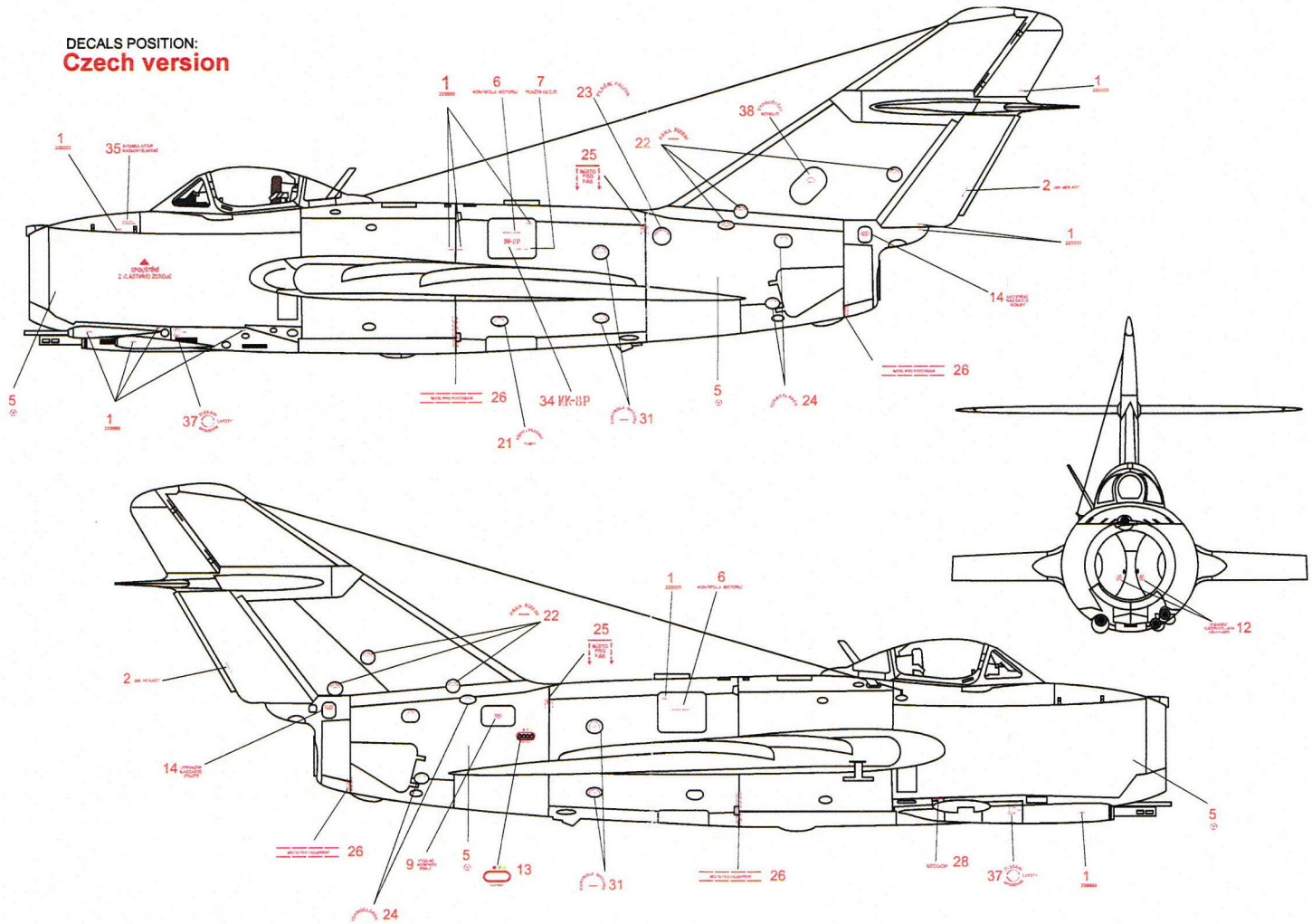
MIG-15Bs, n.103 ,the pilot ba Henry Perez, Rafael de Pinto base, Cuba ,1962

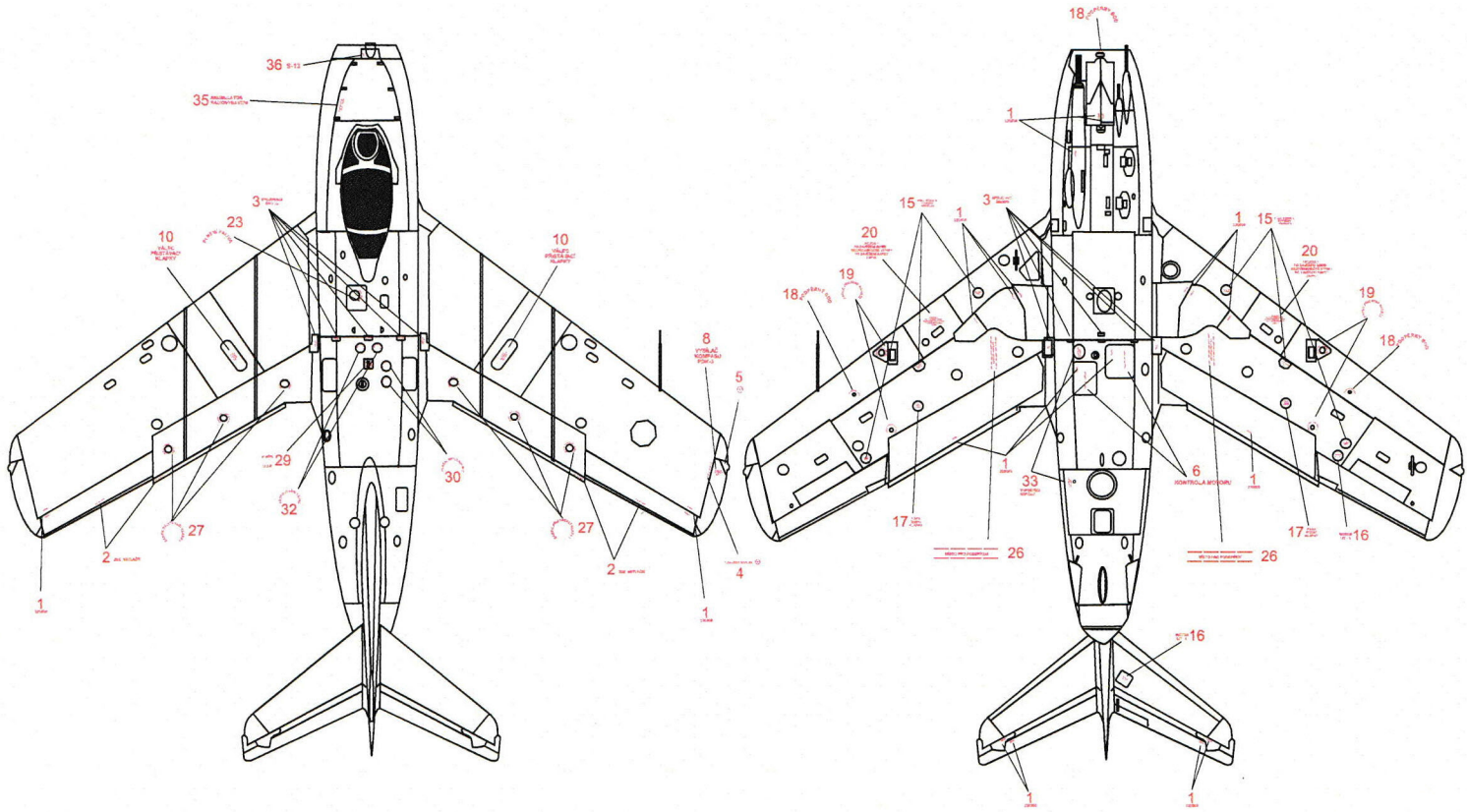


MIG-15Bs, 7616, on September the 21-st 1953 few away Northkorean No Kum-Sokdo with MIG-15 to Soul in South Korea. The machine was later tested in base Wright-Patterson by test pilot Chuck Yeager and Tom Collins.

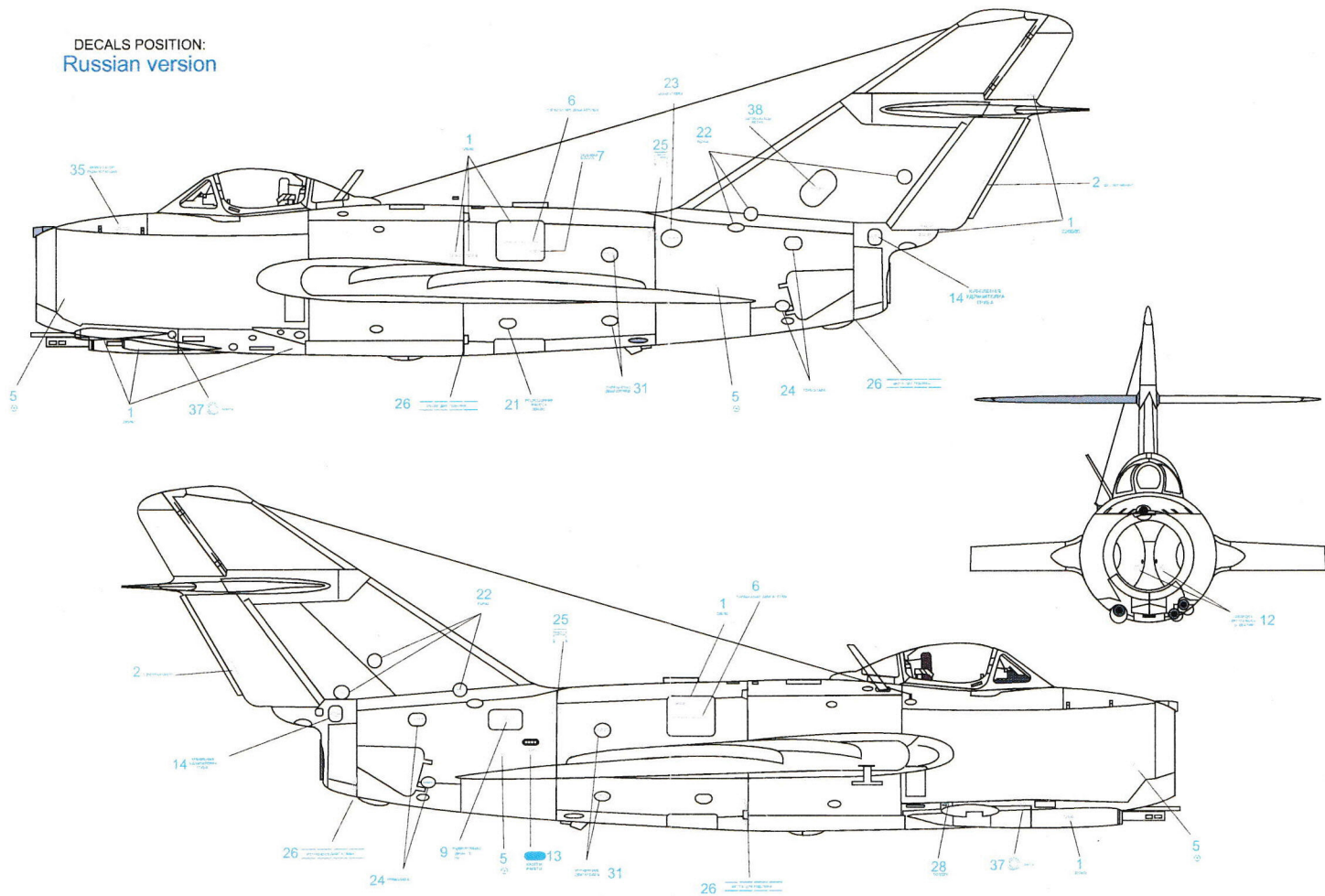


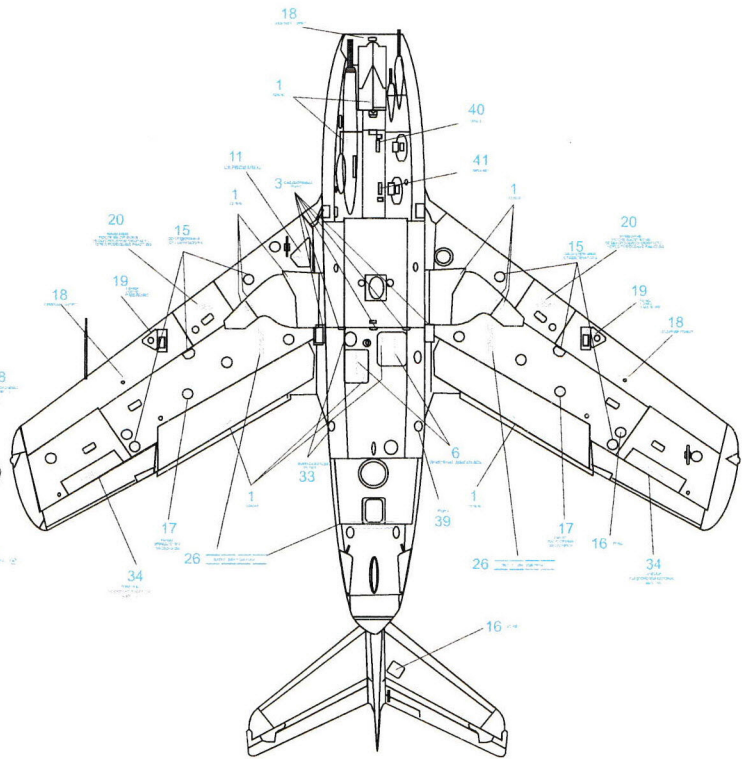
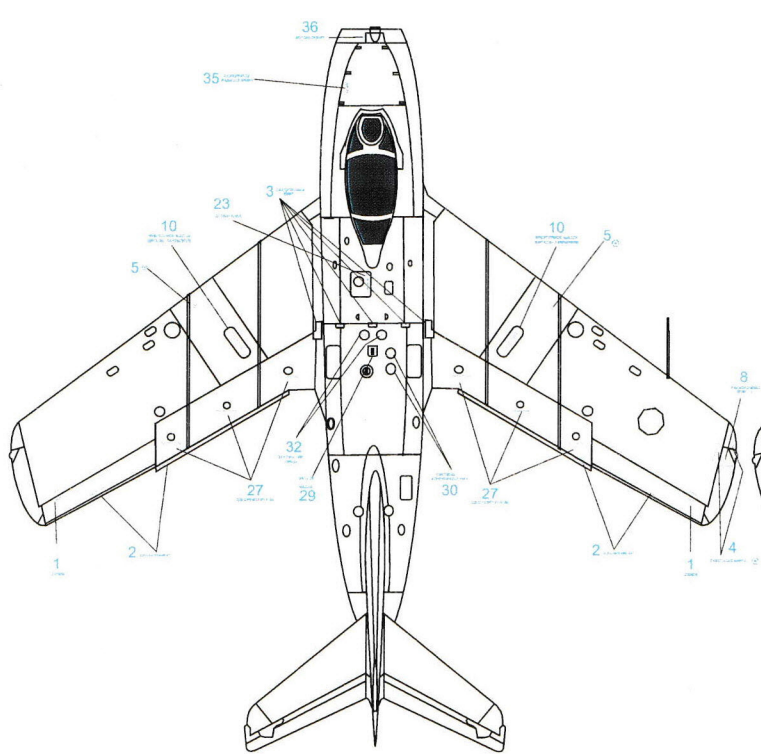
DECALS POSITION:
Czech version

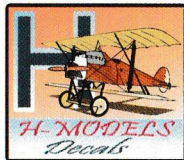




DECALS POSITION:
Russian version







MIG - 15



1. Apply gloss cote to model surface
2. Cut out the needed detail from the sheet.
3. Submerge the decal completely in lukewarm water for 10 sec.
4. Put the wet decal on-plotting base and allow it soften completely.
5. Place the decal together with the base paper on the model. We recommended use decal solutions(Setter, Softer)Keep paper by tweezers and remove decal carefully to model surface. In case that the decal was placed incorrectly, add water with a brush on the border of the decal.
6. If the decal is located on the right place, press it with a soft cloth to eliminate all water and air bubbles.
7. Allow the decal dry well.

source: MiG-15 vol.1-3 Jakab publikation
MiG-15 4+ publikation

MADE IN CZECH REPUBLIC

H-Models Decals
Gustav Hýbner
Na zápraží 408/3 , Liberec 3 , 46001
Czech Republic
nmodels @volny.cz

VOJENSKÝ
HISTORICKÝ
ÚSTAV PRAHA



This decal set was made in cooperation with the Military History Institute Prague.

Visit the Army Museum Žižkov, the Aviation Museum Kbely and the Military Technical Museum Lešany !

www.vhu.cz

