

BENNY PARSONS'

Copenhagen

MONTE CARLO

mpc

INSTRUCTION SYMBOLS

- 2 - step numbers
 13 - part numbers
 *106 - plated part numbers

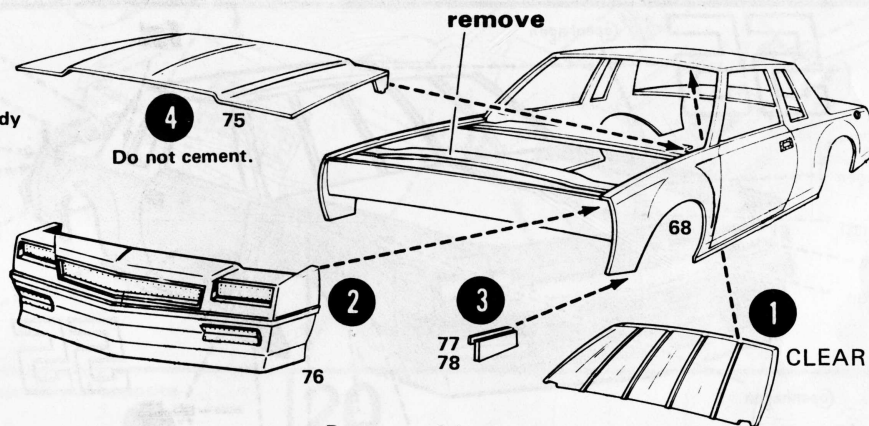
IMPORTANT - READ THIS FIRST!

- ★ Study assembly drawings carefully before starting.
- ★ Follow step number sequence in each assembly drawing.
- ★ Scrape paint and plating from contact areas to be joined.
- ★ Only use cement made for styrene plastic.
- ★ Check fit before cementing parts together.
- ★ Use cement sparingly.
- ★ Cement all parts except where noted.
- ★ Painting your model is optional.
- ★ Use standard colors where noted.
- ★ Allow paint to dry completely before handling.

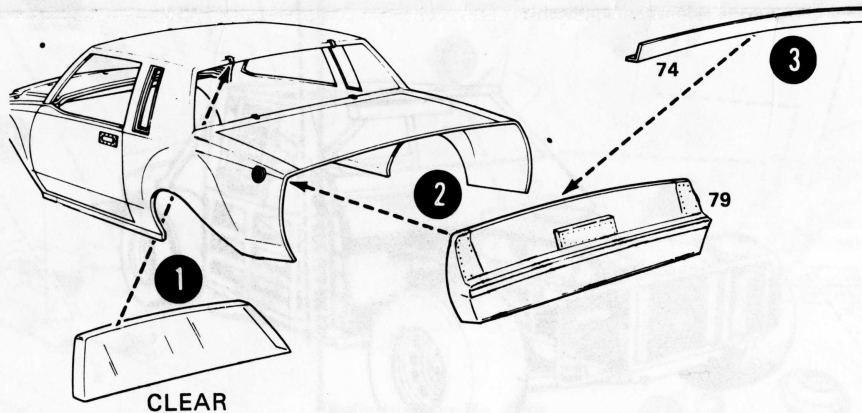
©1985 Fundimensions, Division of CPG Products Corp.

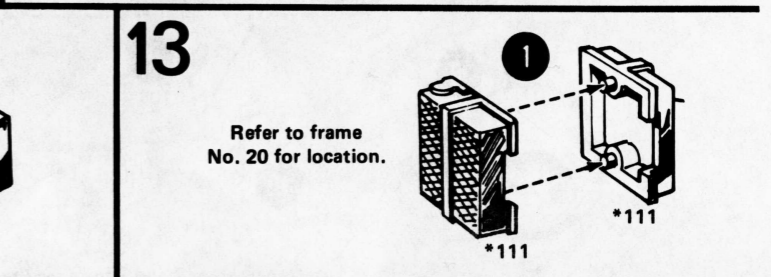
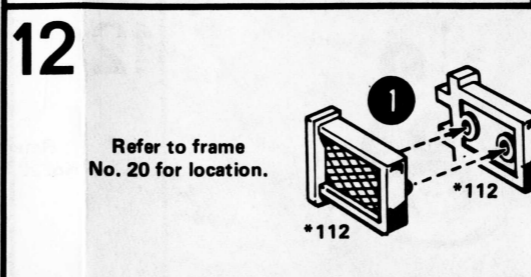
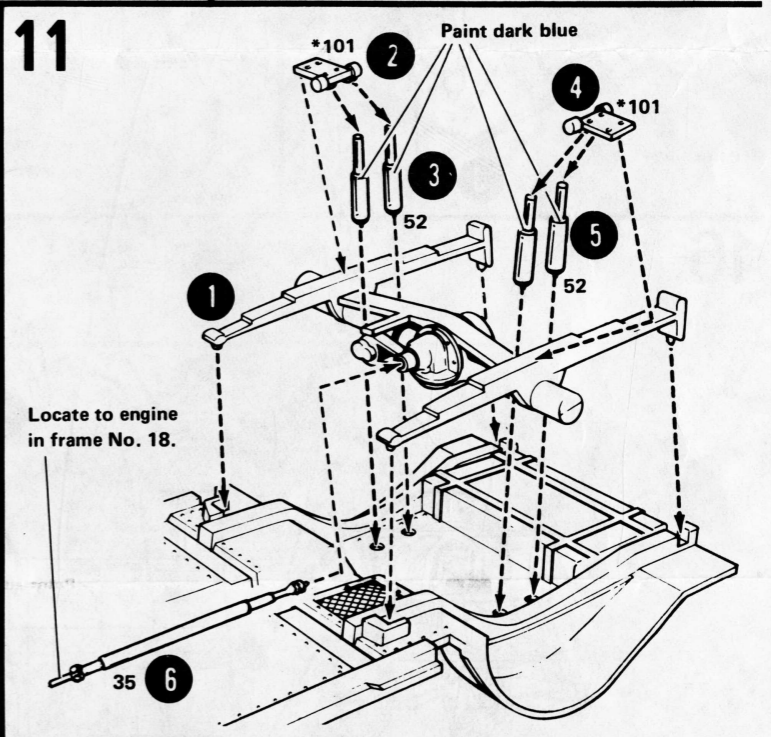
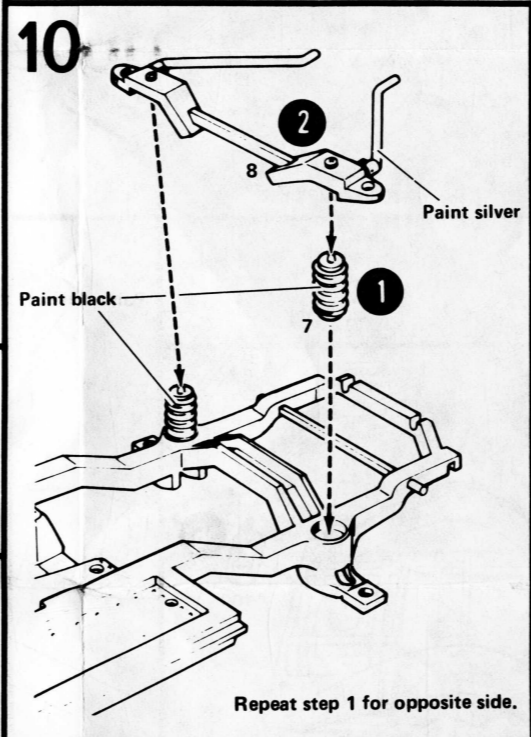
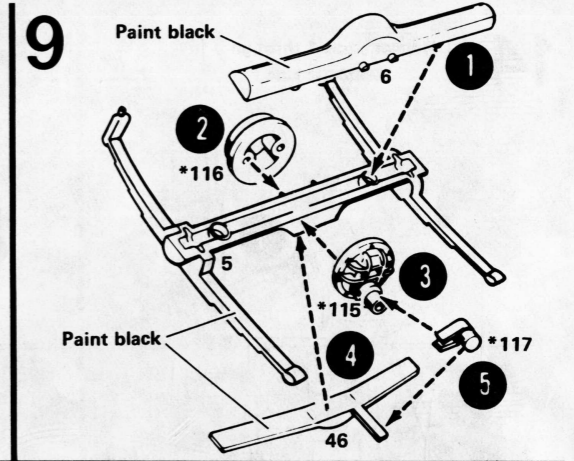
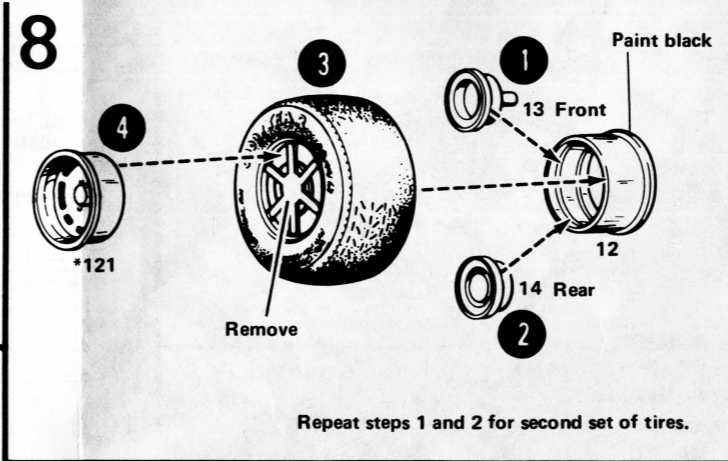
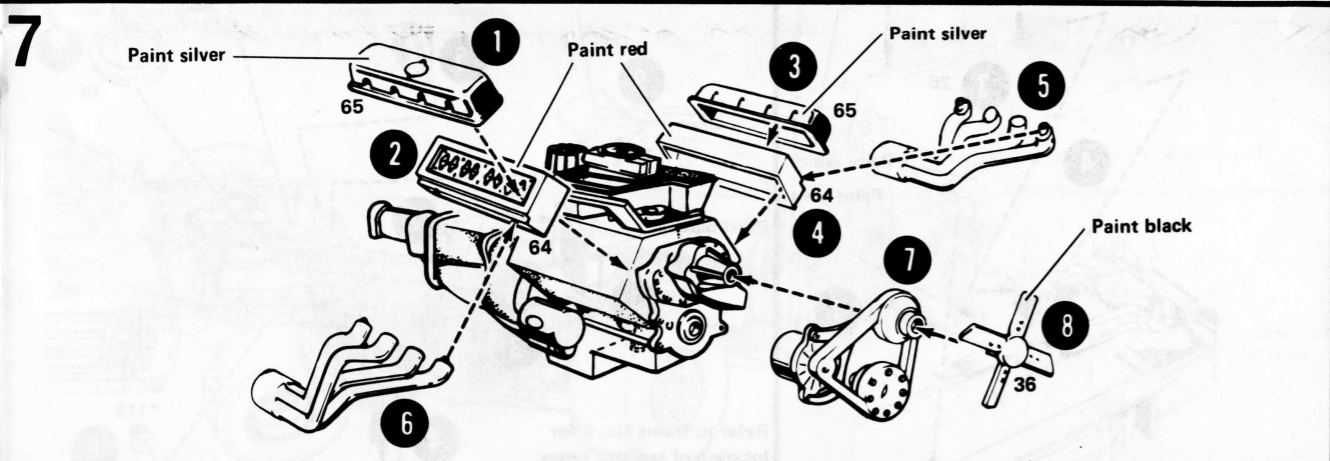
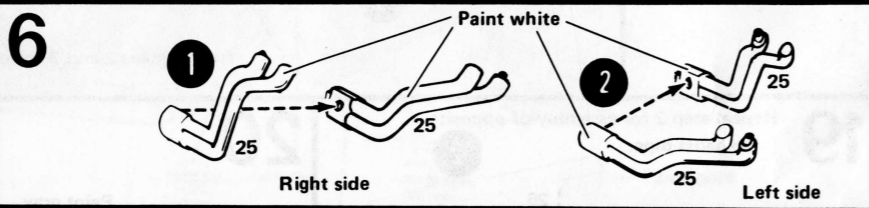
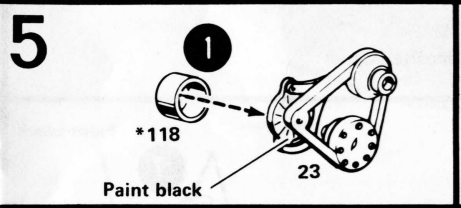
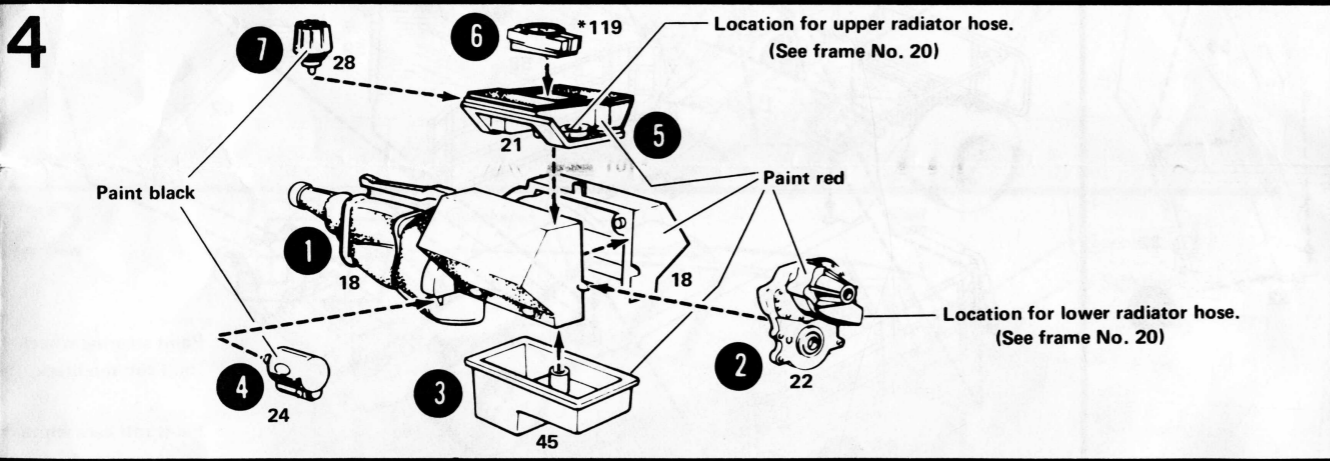
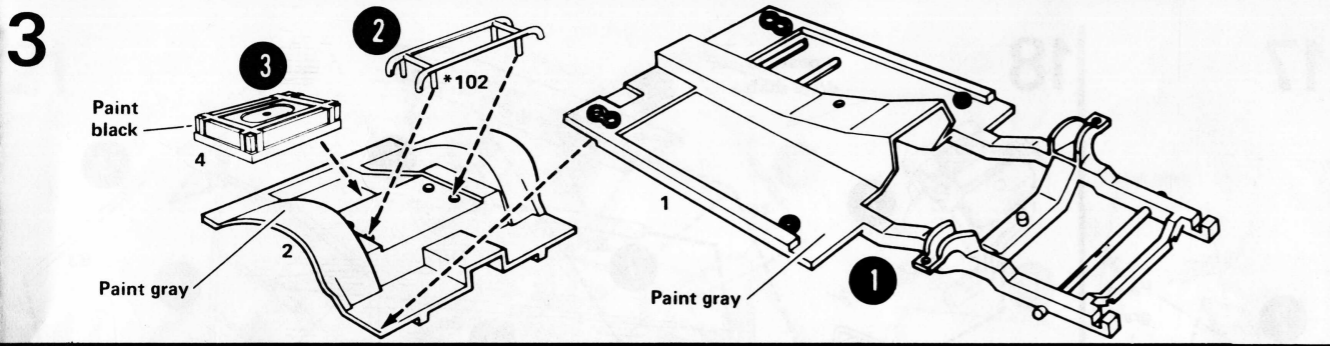
1

Refer to last step for body painting instructions.

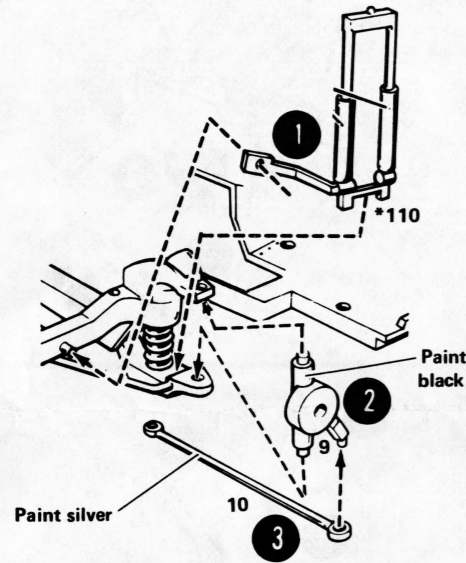


2

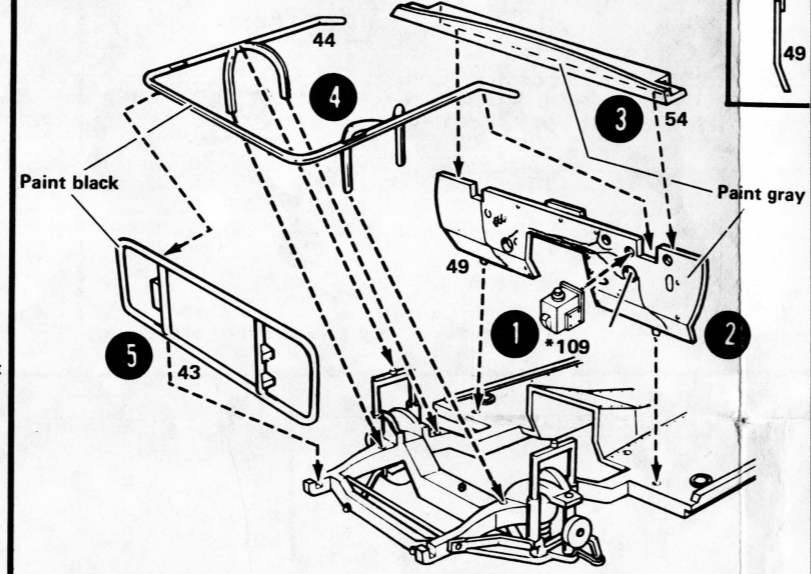




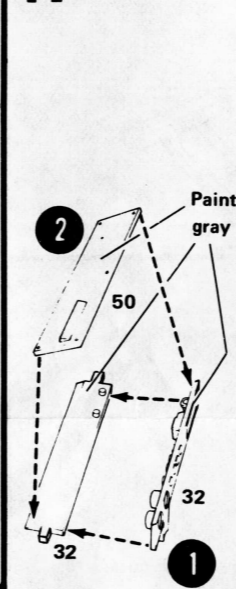
14 Repeat steps 1 through 3 for opposite side.



15 Side view for proper firewall assembly.

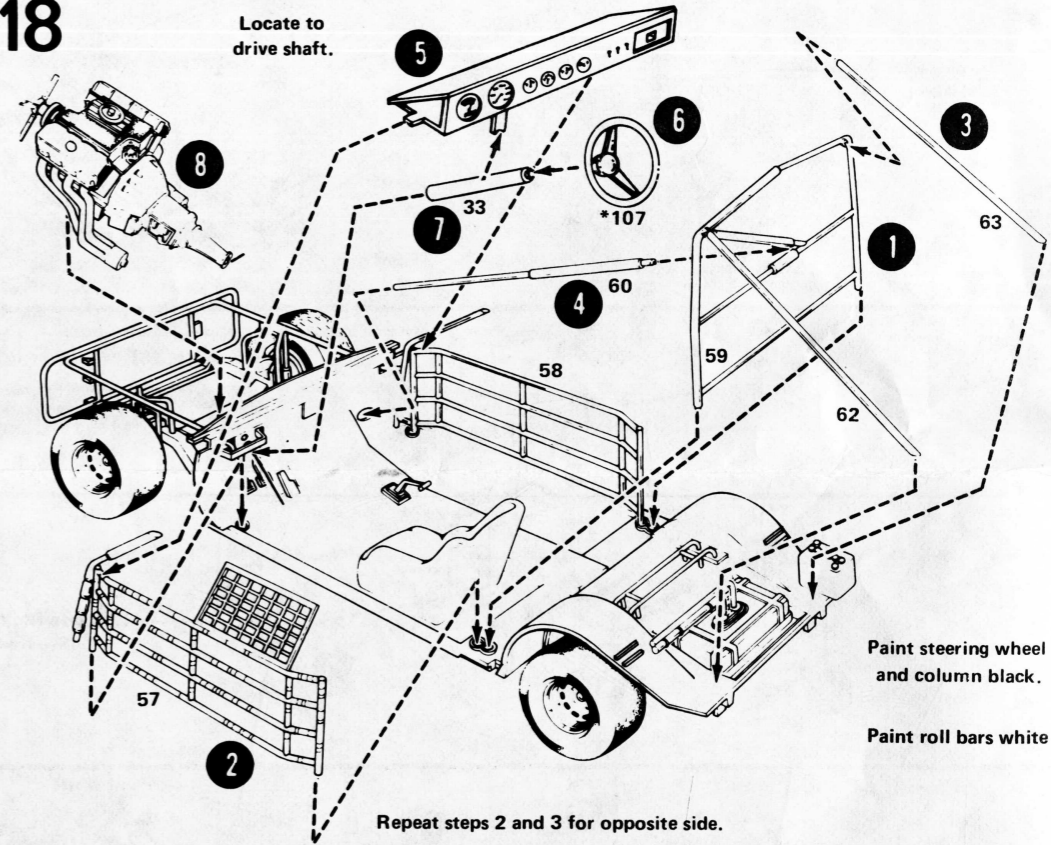


17



18

Locate to drive shaft.

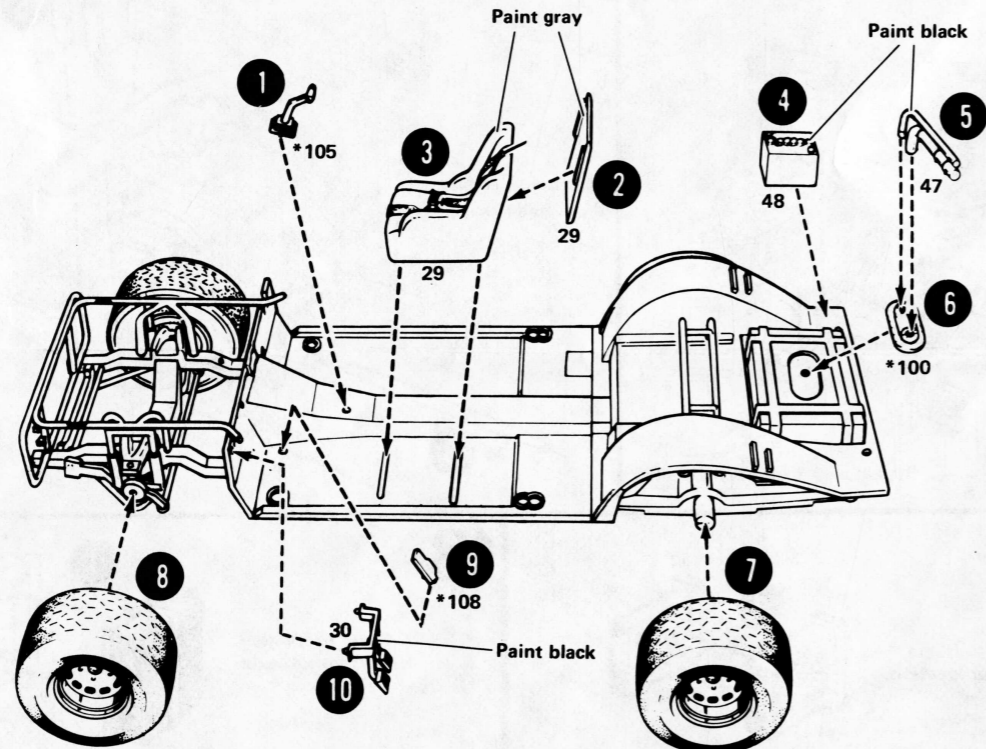


Paint steering wheel and column black.

Paint roll bars white

Repeat steps 2 and 3 for opposite side.

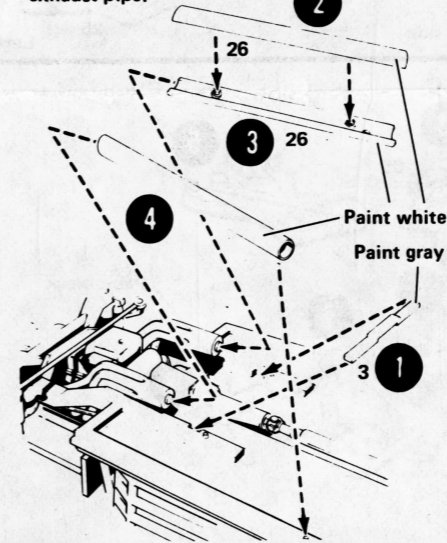
16



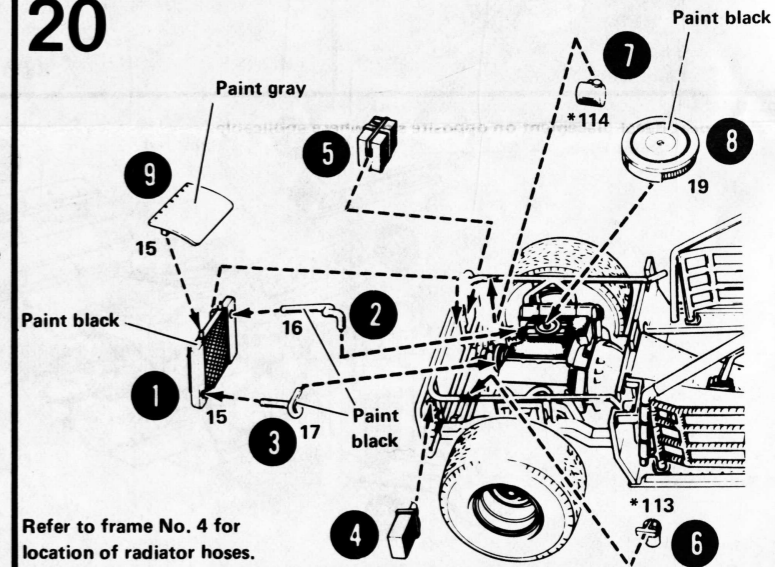
Repeat steps 7 and 8 for opposite side.

19

Repeat step 2 for assembly of opposite exhaust pipe.

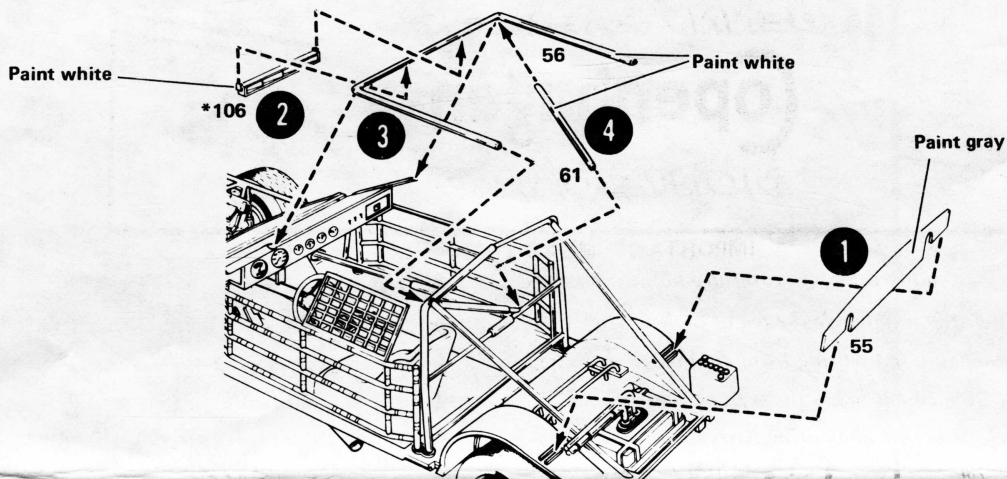


20

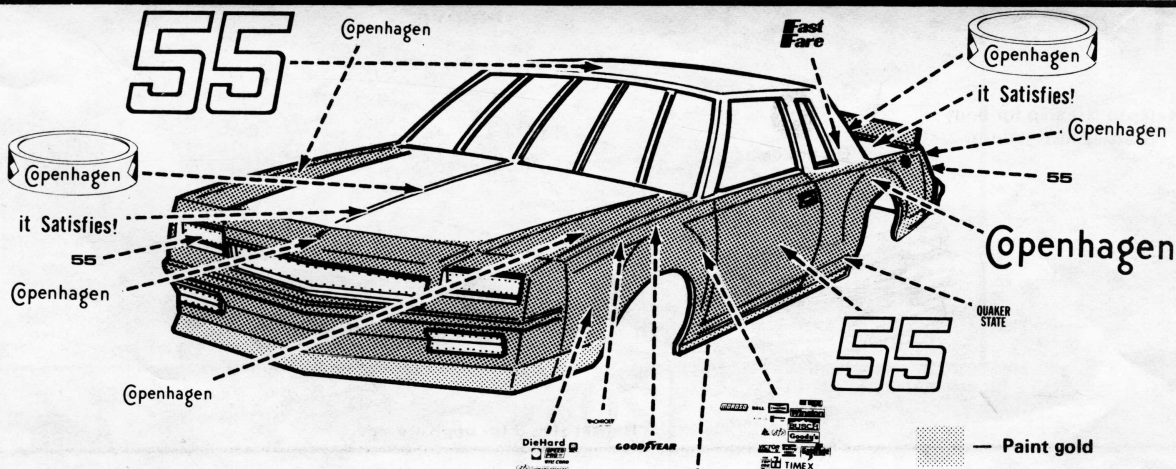


Refer to frame No. 4 for location of radiator hoses.

21

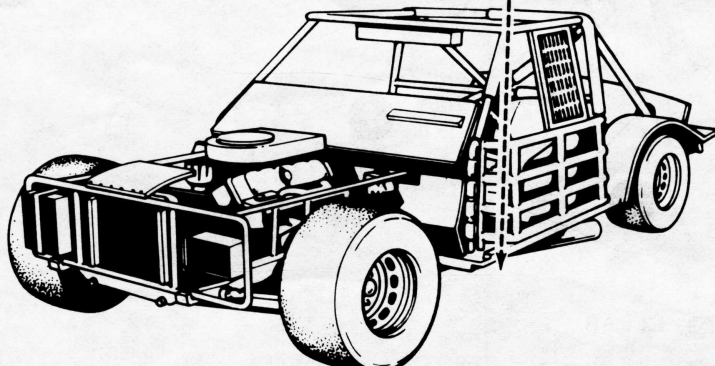


22



Note: Refer to box cover for proper placement of decals.
Repeat decal placement on opposite side where applicable.

- Paint gold
- Paint black



LICENSED UNDER AUTHORITY OF PATRUM MOTOR RACING PROPERTIES