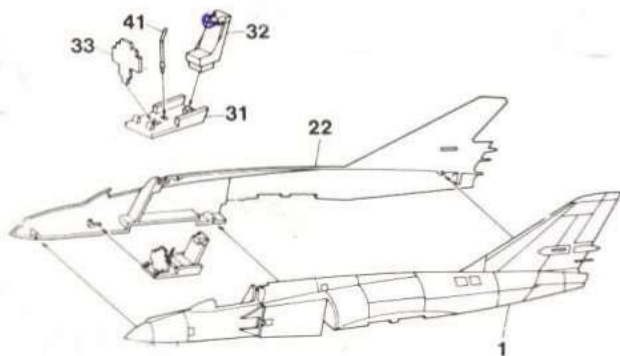
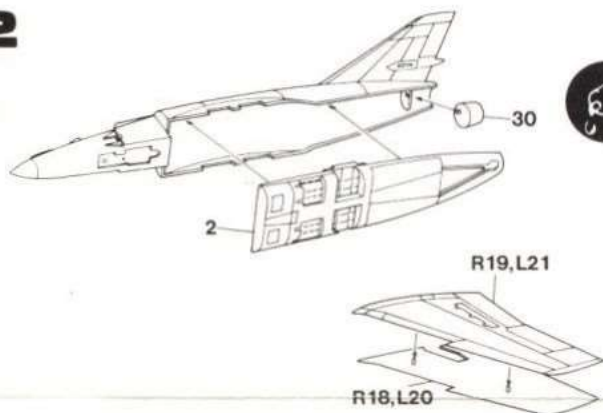


1/72 DASSAULT-BREGUT
SUPER ETENDARD

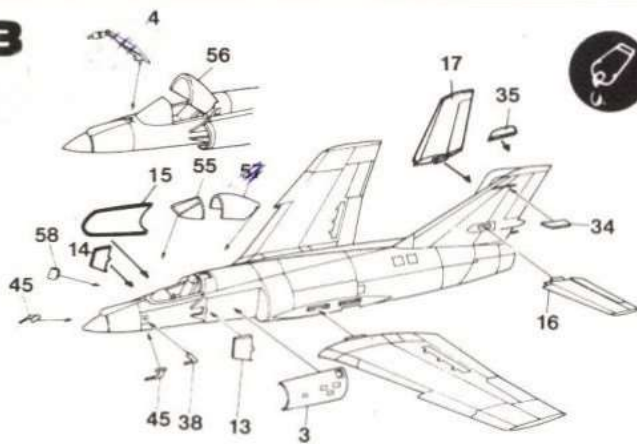
1



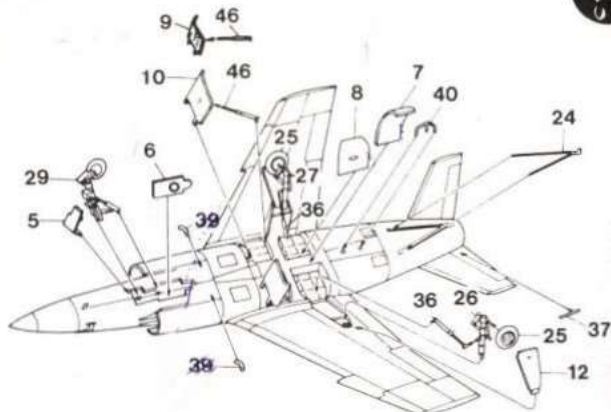
2



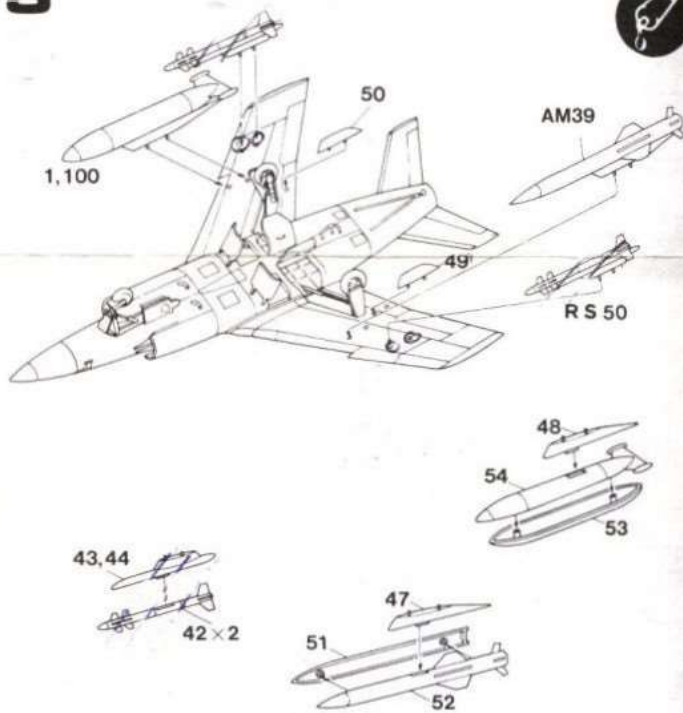
3



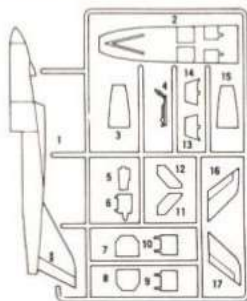
4



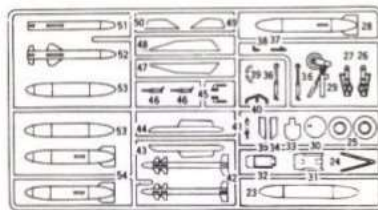
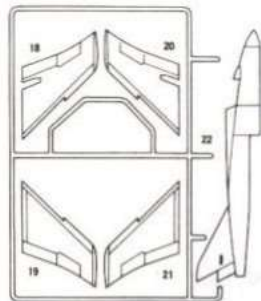
5



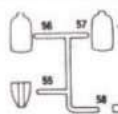
A Parts



B Parts



C Parts



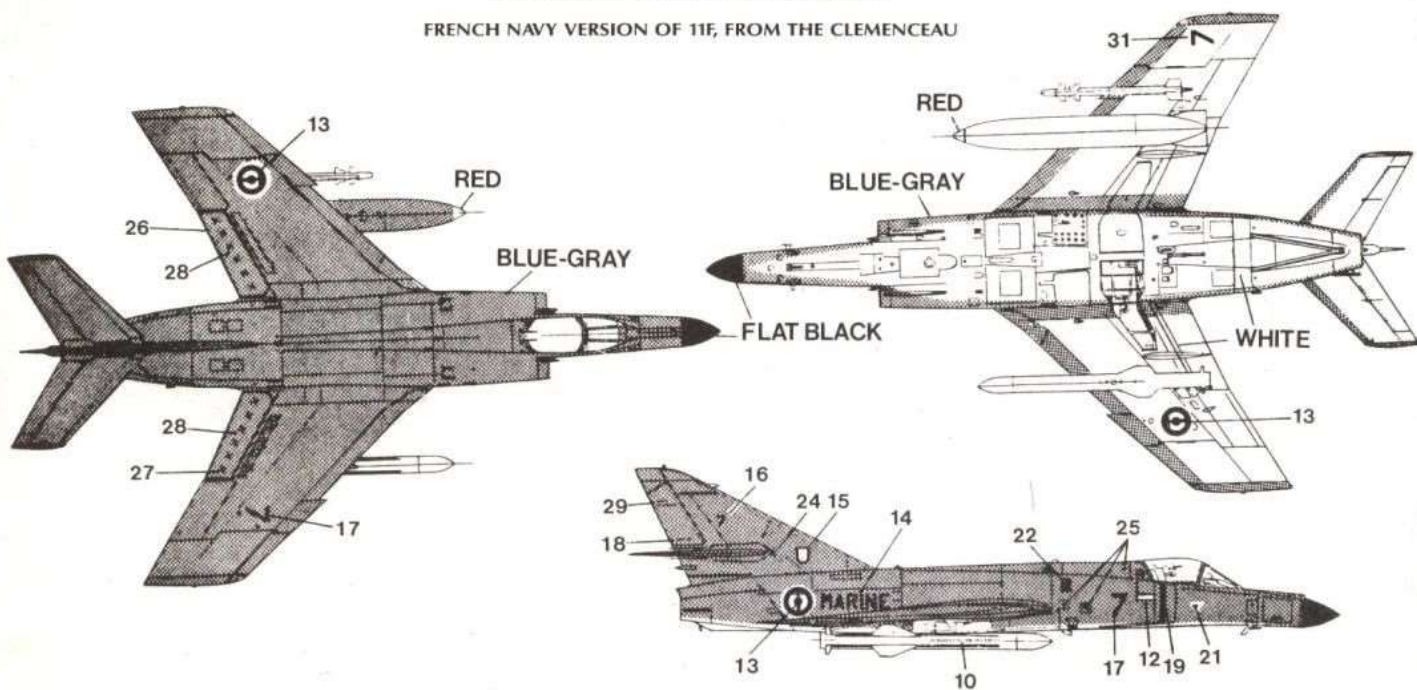
D Parts

**ACADEMY
MINICRAFT
MODEL KITS**

Copyright 1988

MINICRAFT MODLS, INC.
1510W. 228th Street
Torrance, CA 90501 U.S.A.
213-775-8836

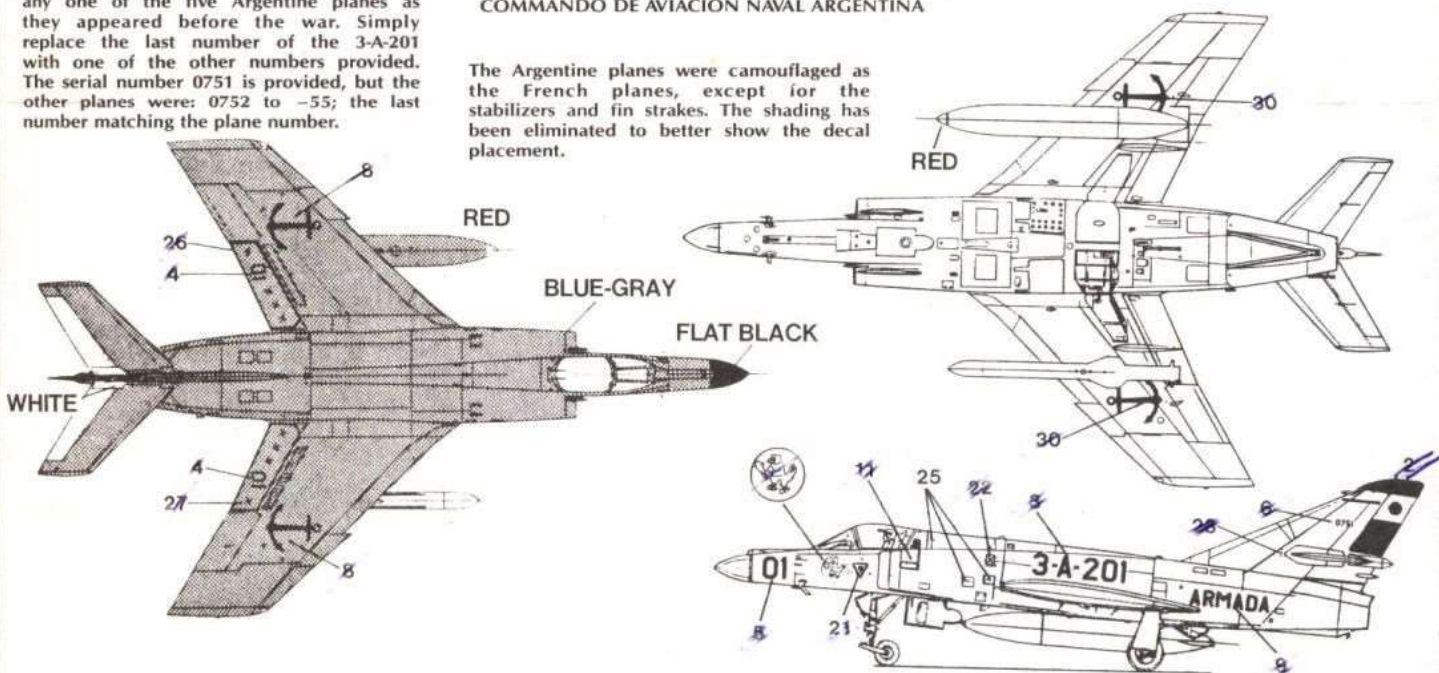
COLOR SCHEMES AND DECAL PLACEMENT
 FRENCH NAVY VERSION OF 11F, FROM THE CLEMENCEAU



Decals are provided to enable you to make any one of the five Argentine planes as they appeared before the war. Simply replace the last number of the 3-A-201 with one of the other numbers provided. The serial number 0751 is provided, but the other planes were: 0752 to -55; the last number matching the plane number.

ARGENTINE VERSION
 2^a ESCUADRILLA DE CAZA Y ATAQUE
 COMANDO DE AVIACION NAVAL ARGENTINA

The Argentine planes were camouflaged as the French planes, except for the stabilizers and fin strakes. The shading has been eliminated to better show the decal placement.



| ENGLISH | FRENCH | GERMAN | SPANISH | ITALIAN |
|----------|----------|----------|----------|-----------|
| WHITE | BLANCO | WEISS | BLANC | BIANCO |
| YELLOW | JAUNE | GELB | AMARILLO | GIALLO |
| RED | ROUGE | ROT | ROJO | ROSSO |
| BLUE | BLEU | BLAU | AZUL | BLU |
| GRAY | GRIS | GRAU | GRIS | GRIGIO |
| GUNMETAL | METALLIC | METALLIC | METALICO | METALLICO |
| GREEN | VERT | GRUN | VERDE | VERDE |
| SILVER | ARGENT | SILBERN | PLATA | ARGENTO |
| BLACK | NOIR | SCHWARTZ | NEGRO | NERO |



Cement
 Collet
 Kleben
 Pegar
 Incollare
 Colar
 Kleben



DO NOT cement
 Ne pas coller
 Nicht kleben
 No pegar
 Non incollare
 Nao colar
 Niet kleven



Cut
 Couper
 Schneiden
 Cortar
 Tagliare
 Cortar
 Snijden



Optional
 Choix
 Auswahlmöglichkeit
 Eleccion
 Sceffa
 Opcao
 Keuze



3

Repeat operation
 Repeter l'operation
 Vorgang wiederholen
 Repetir la operacion
 Ripetere
 Repetir a operacao
 Herhalen