

MAX3DPRINT



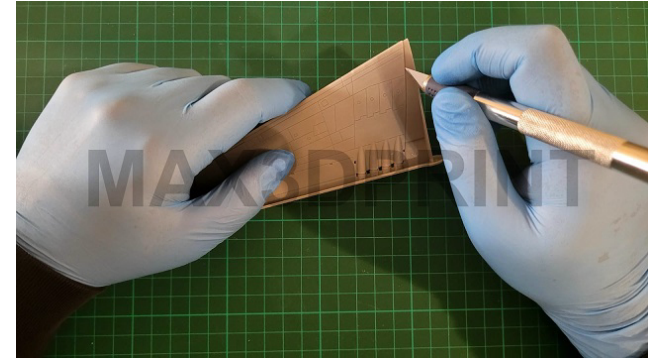
YB-49 Flying Wing

- Model assembled with common two-component epoxy adhesive

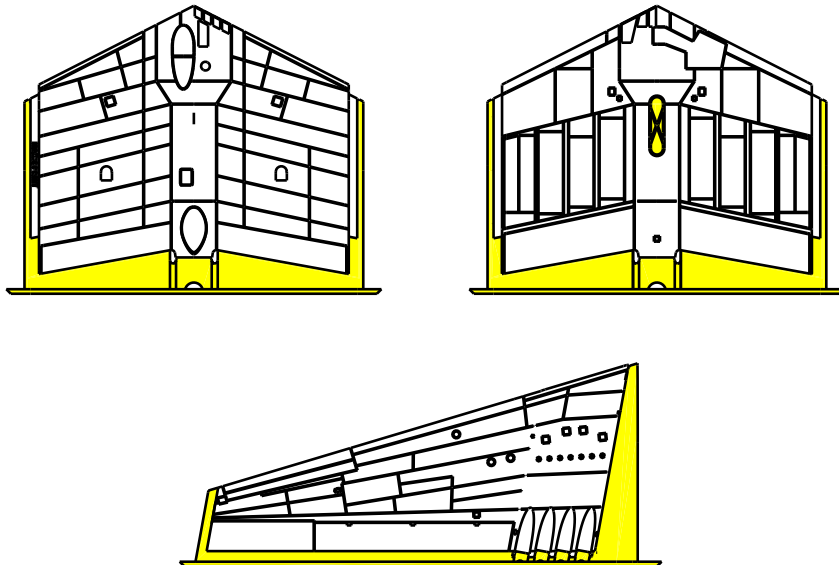
Example:

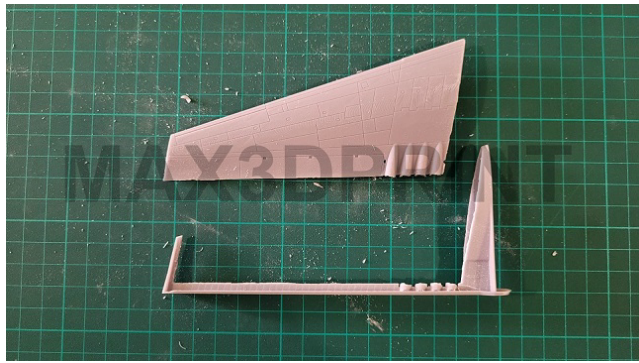
- A) smoothly run along the edge on both sides of the workpiece until the support is separated.
- B) polish the edges of the trimmed part
- C) practice dry assembly to ensure correct fitting

A)

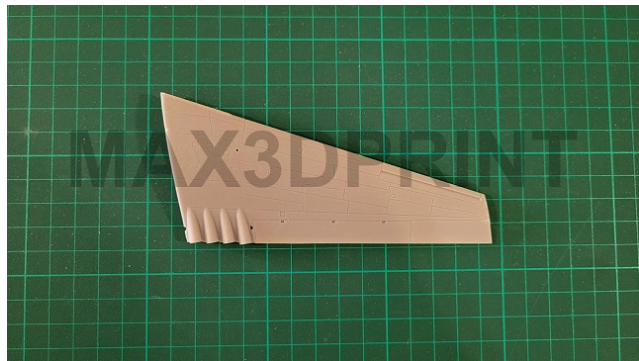
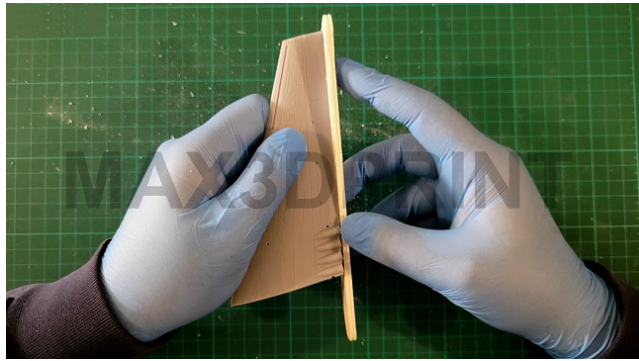


■ Areas to be removed on parts with special supports

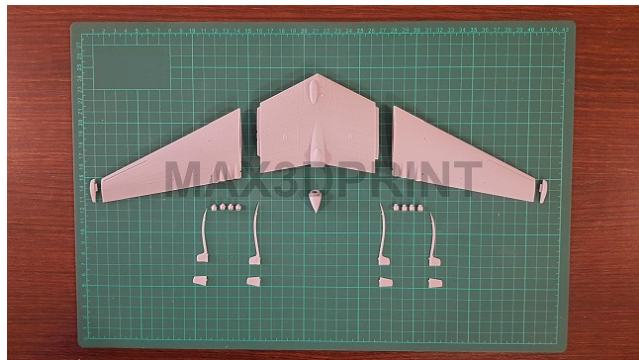




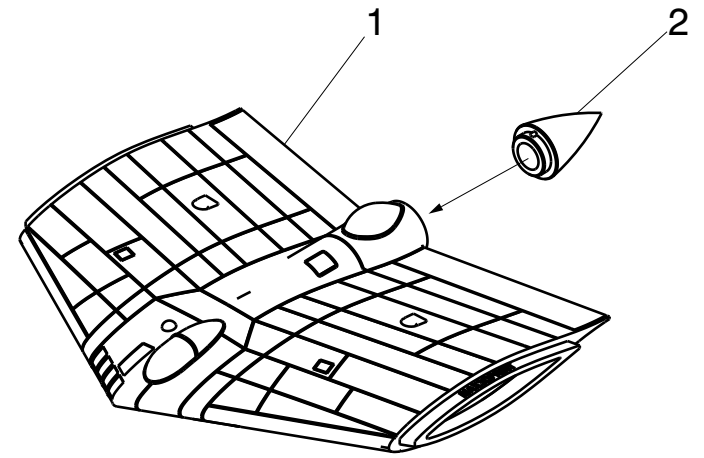
B)



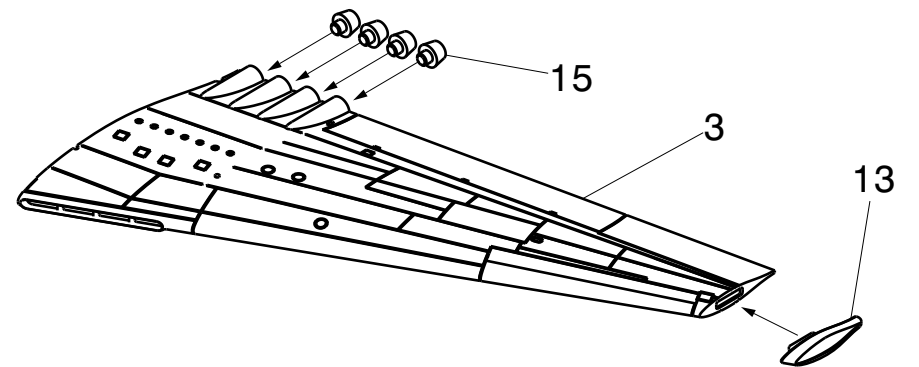
C)



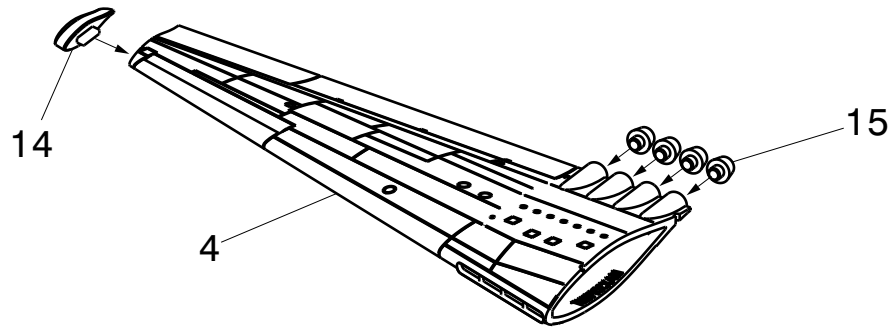
1



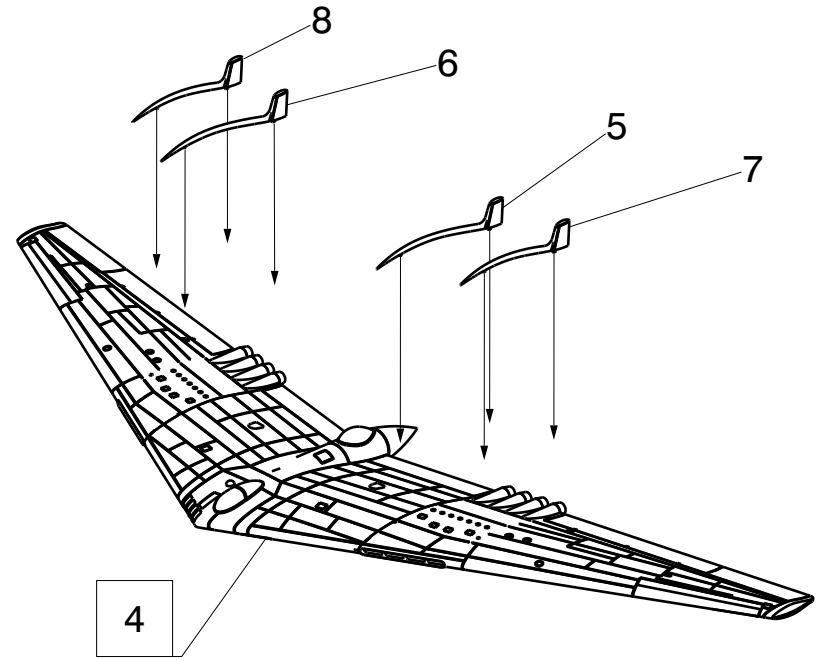
2



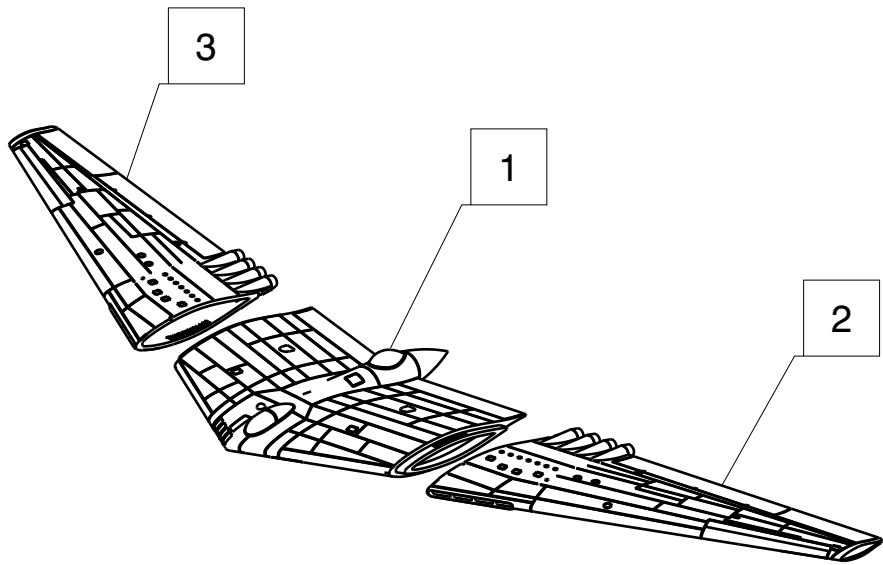
3



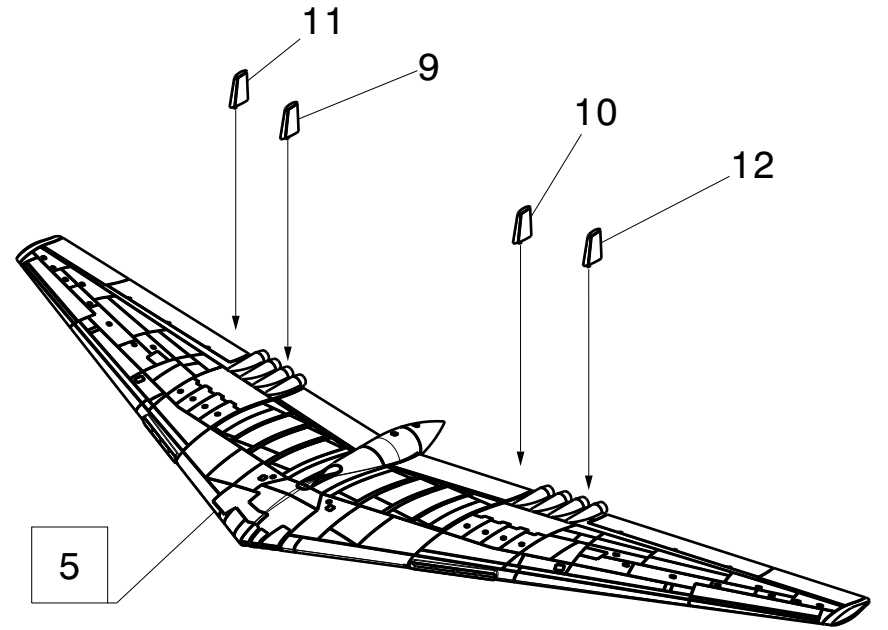
5



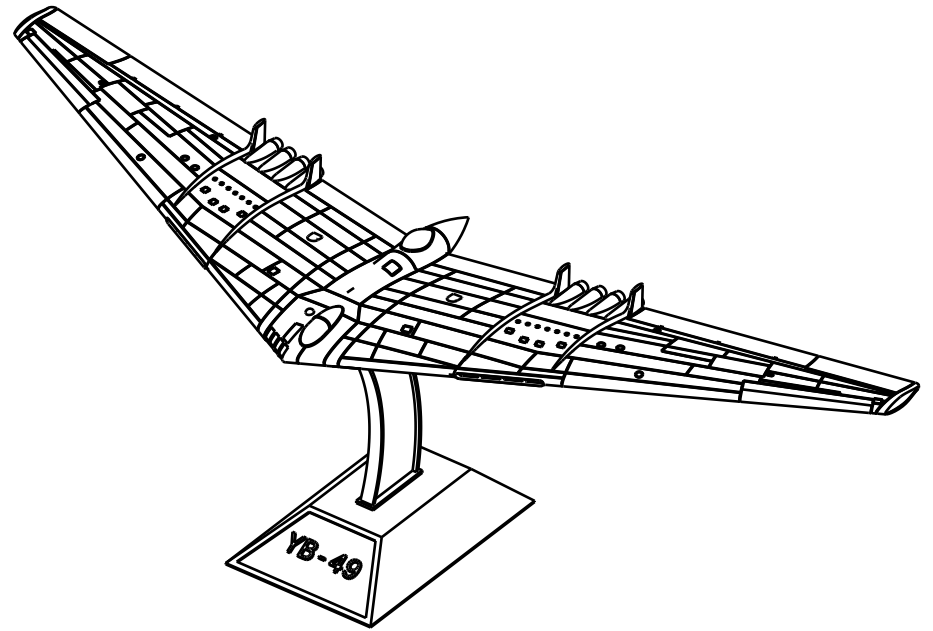
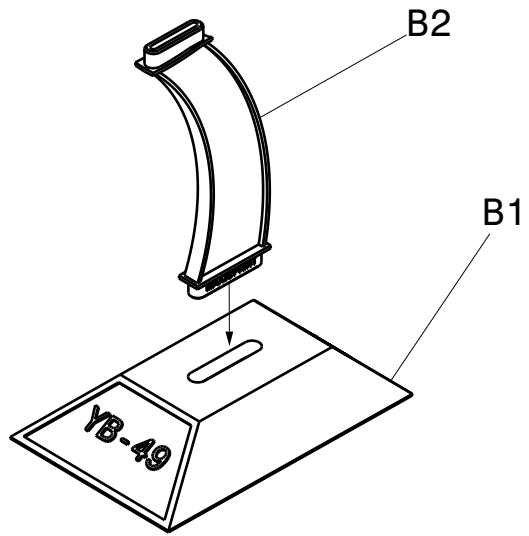
4



6



7



Final Assembly

8

