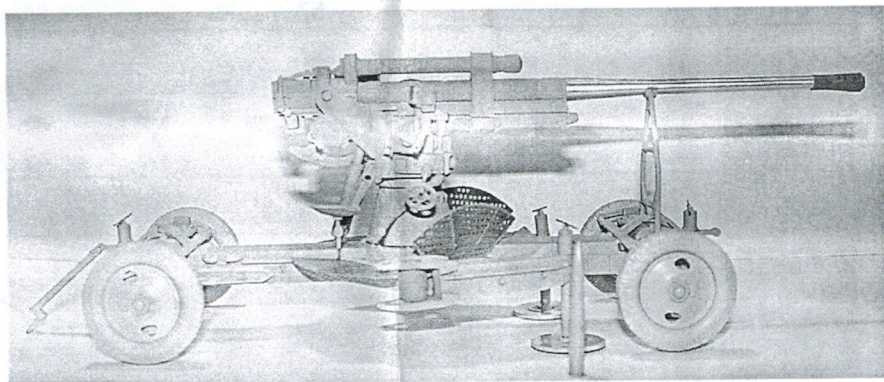
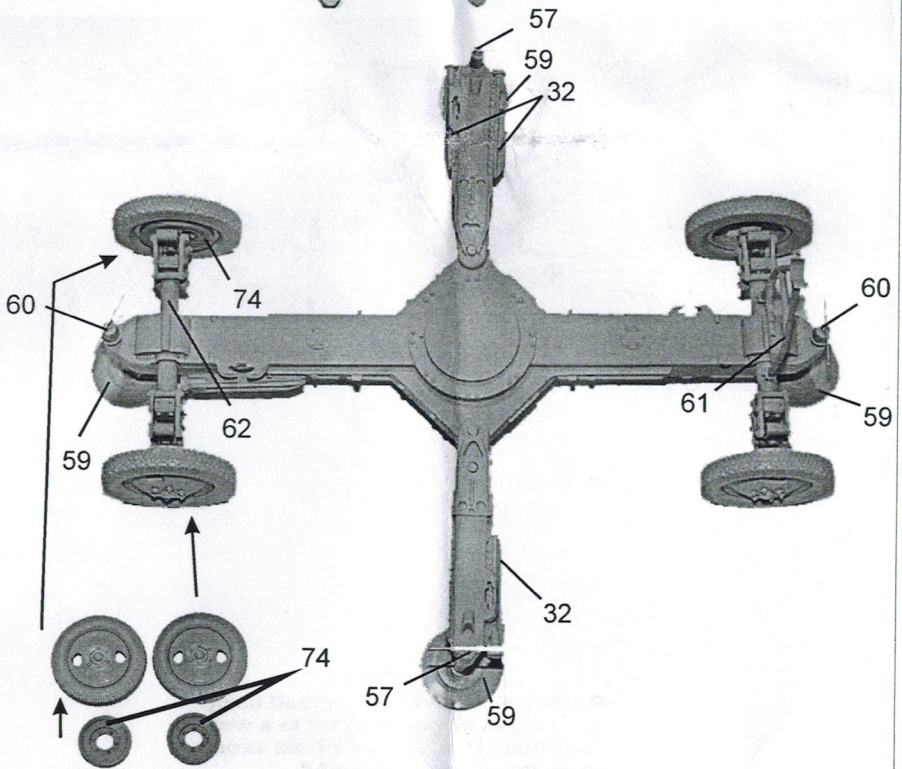
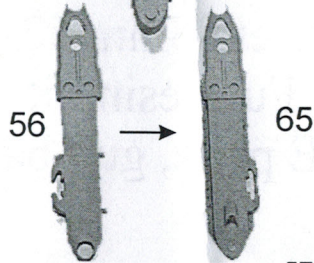
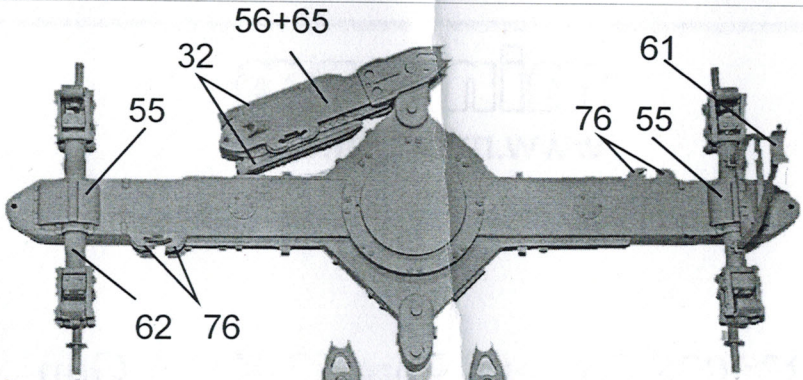


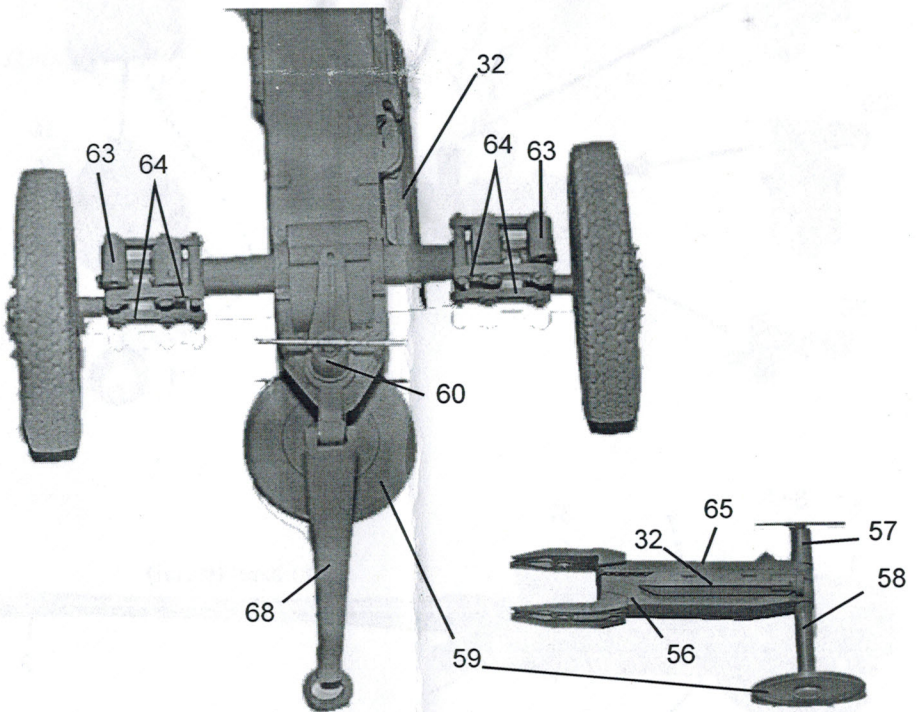
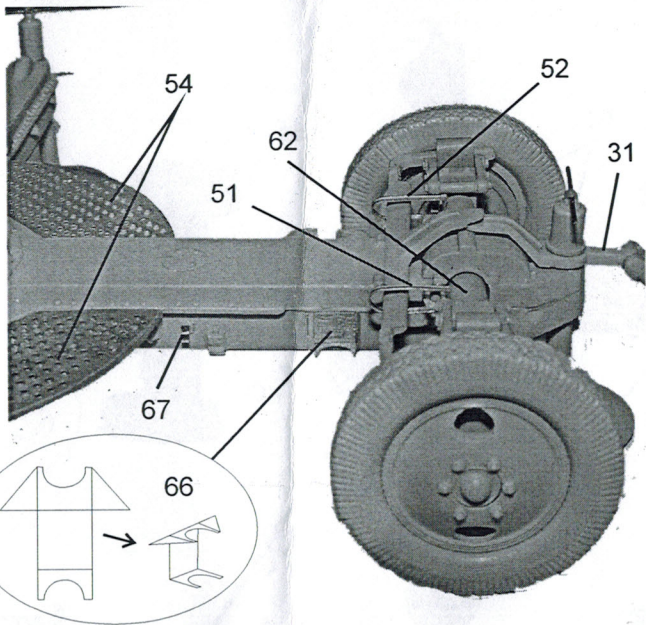
**miniarm**  
www.miniarm.com

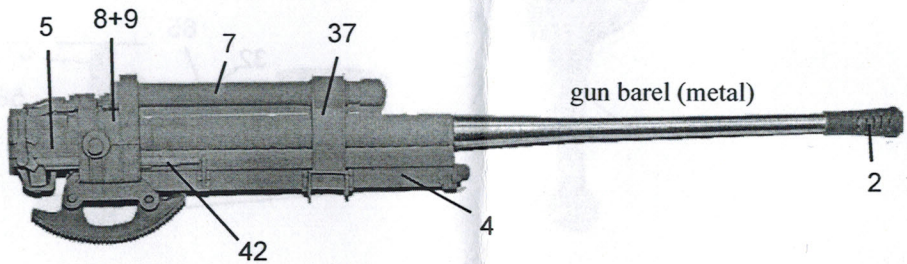
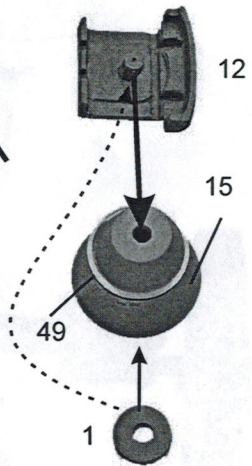
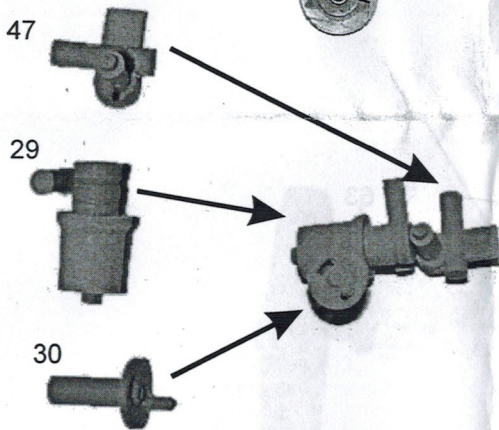
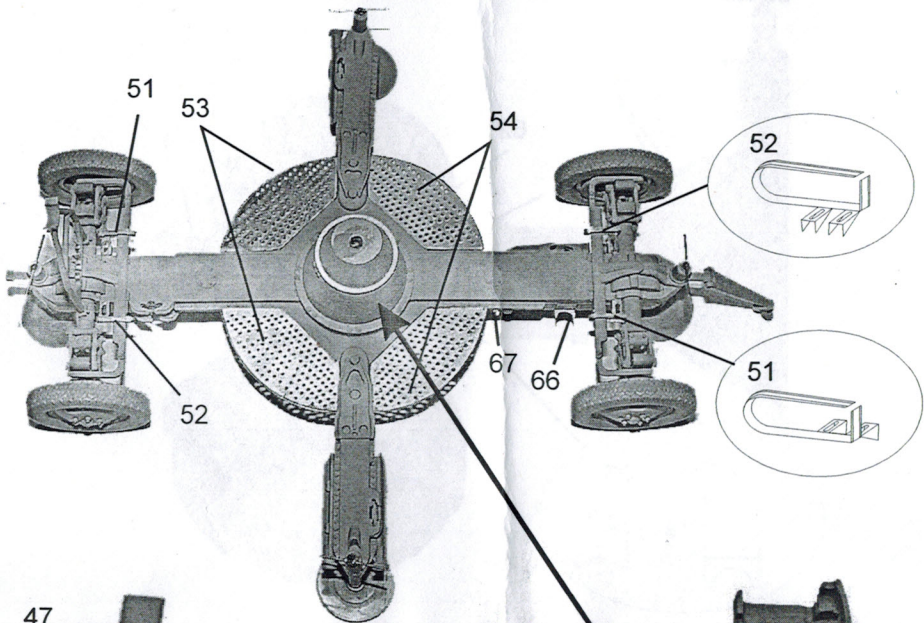
B35038 Soviet 85mm 52-K AA Gun  
Full resin kit  
Includes PE parts, gun barrel (metal)

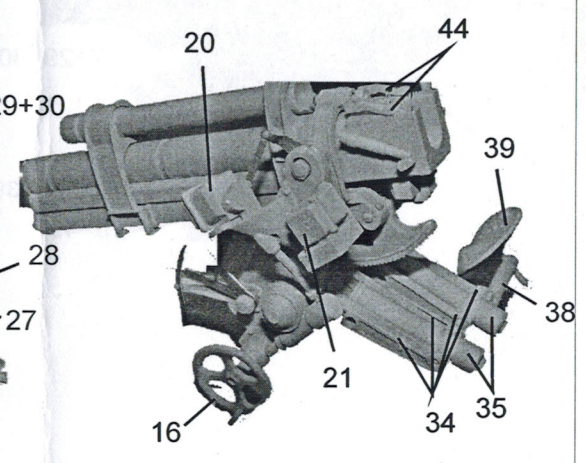
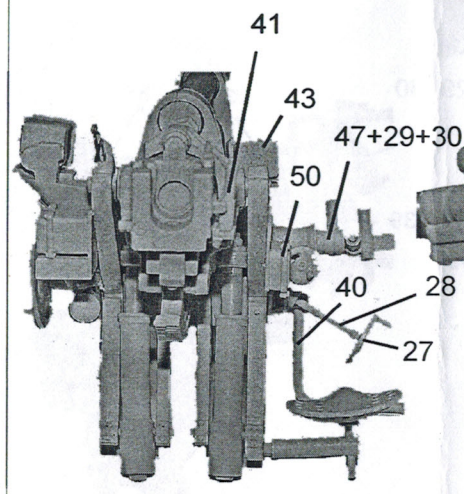
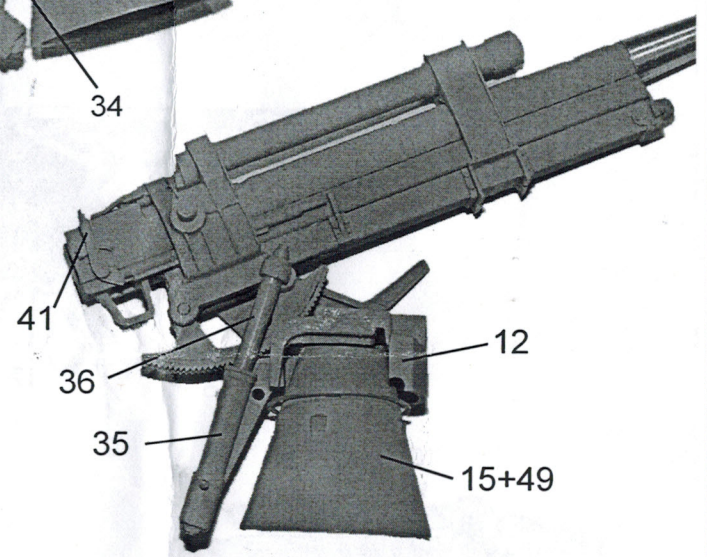
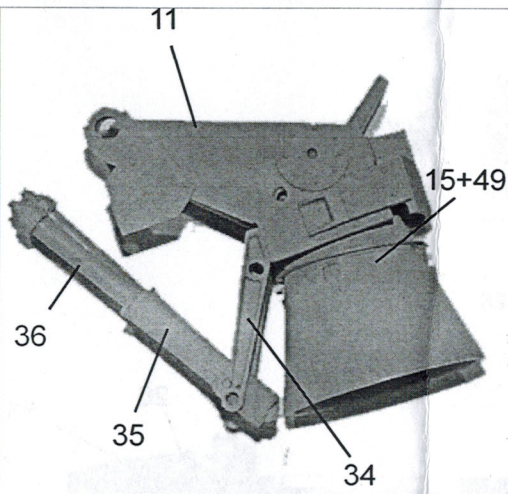


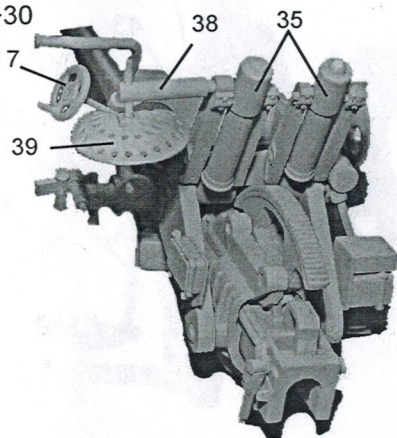
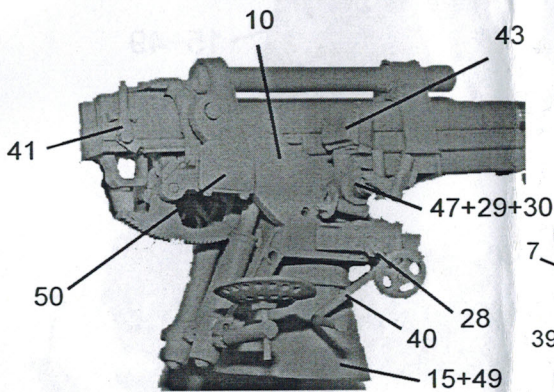
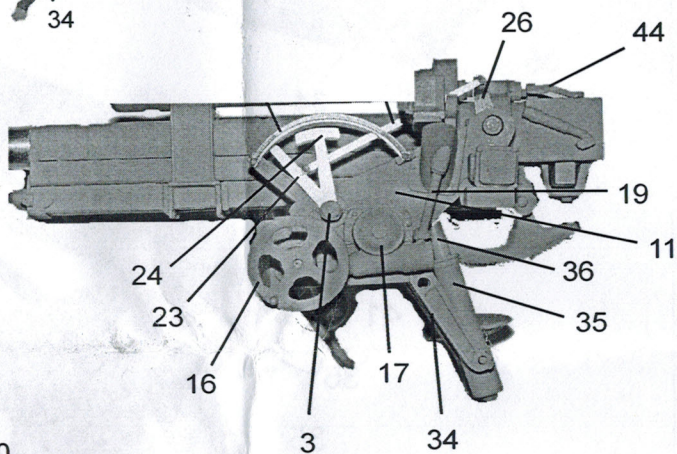
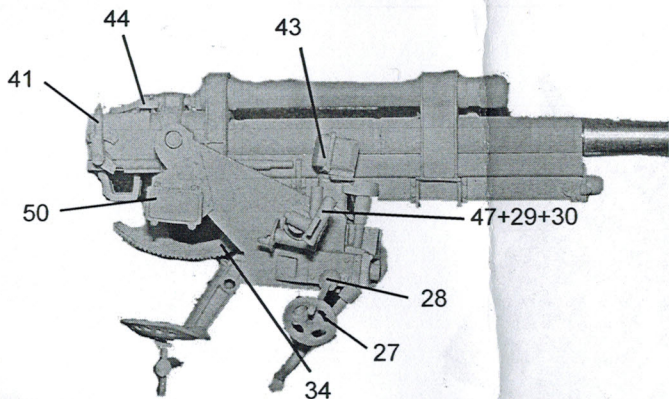
**CAUTION:**  
Resin parts can only be glued using  
cyanoacrylate glues. Work in a well  
ventilated area. Do not inhale vapors  
since these can be harmful.

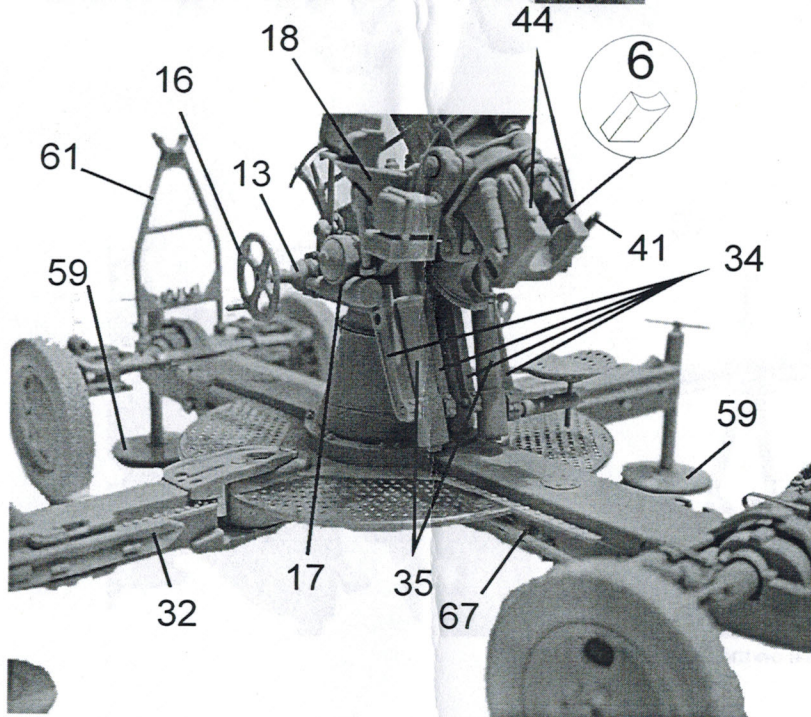
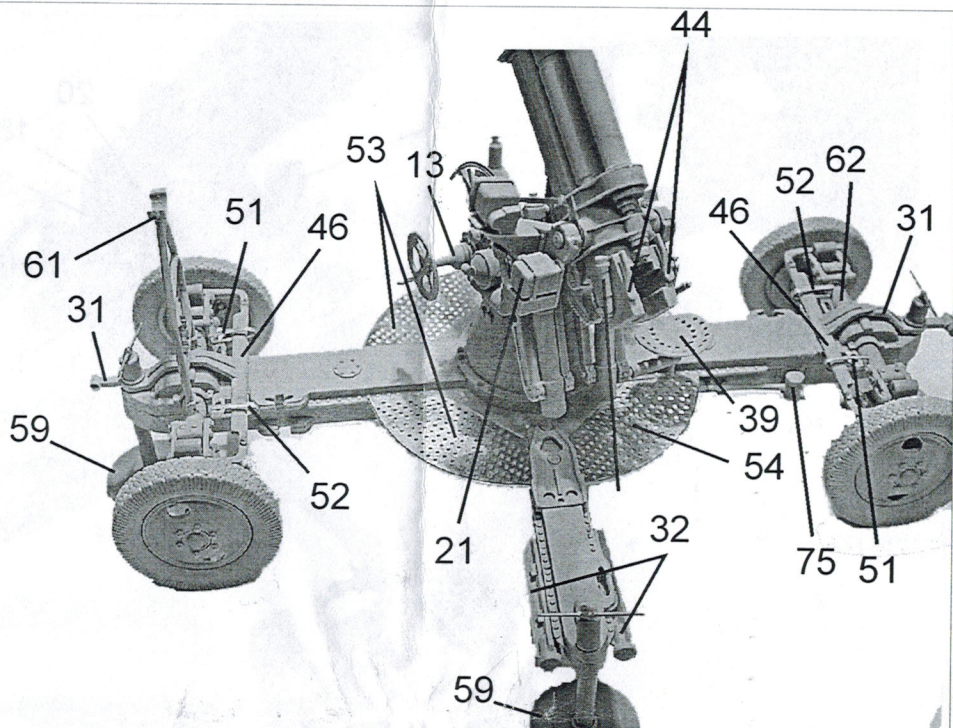


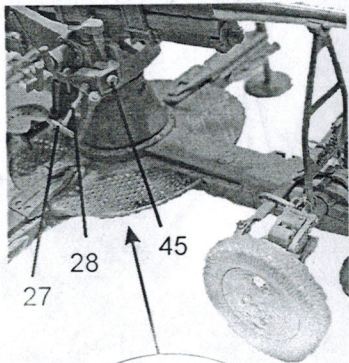




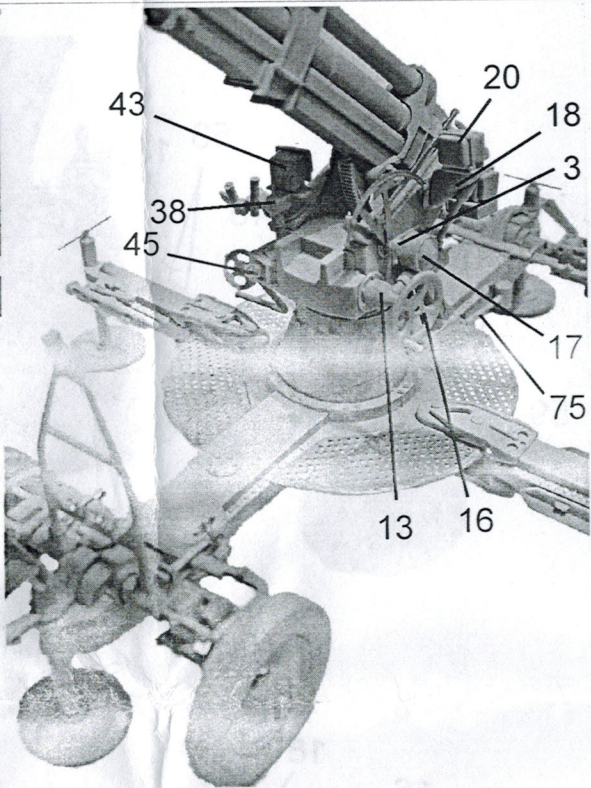
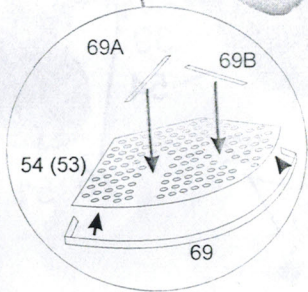




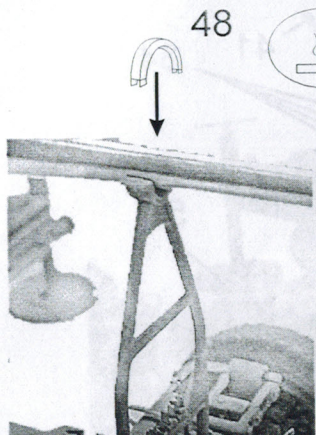




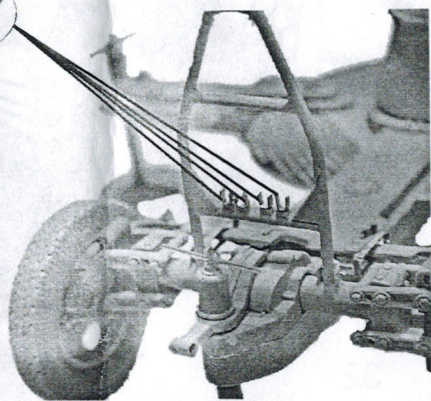
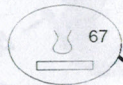
27  
28  
45



43  
20  
18  
3  
38  
45  
17  
75  
13  
16



48



Optional on the marching