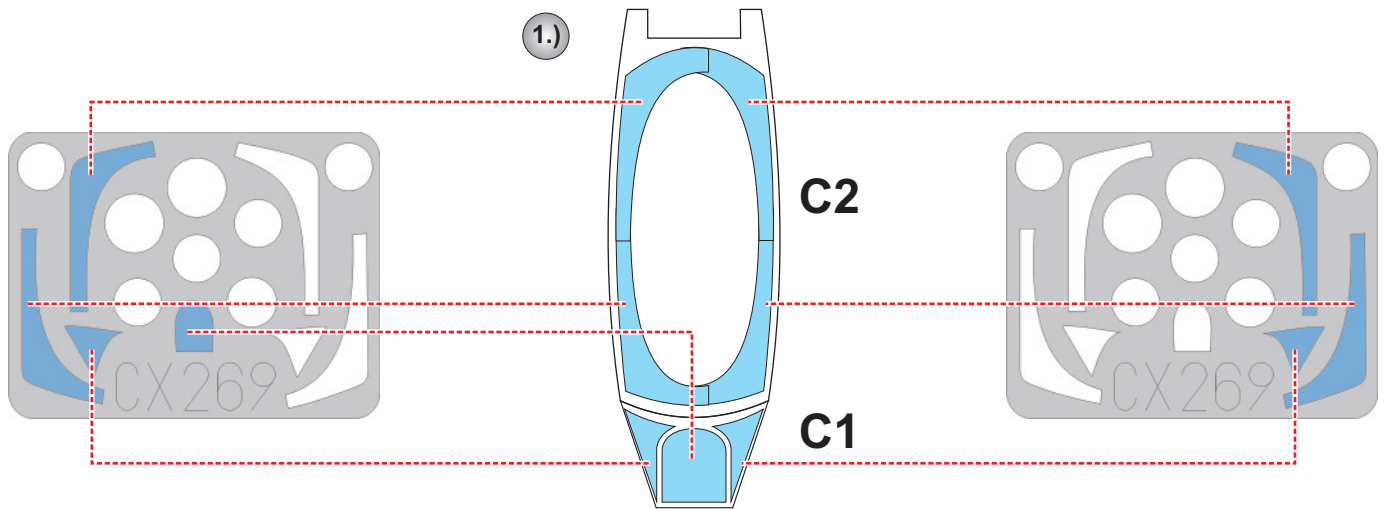
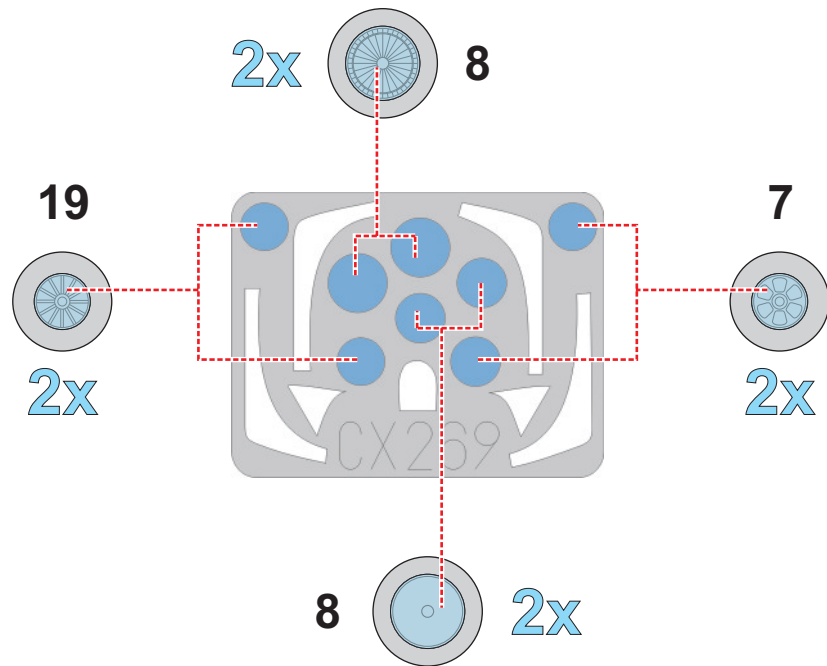
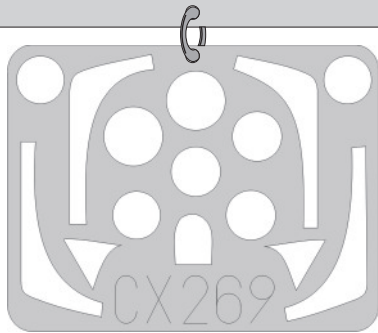


eduard
MASK

T-33 1/72

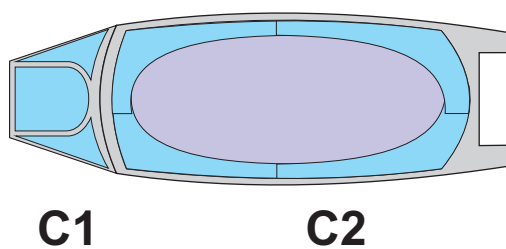
The die-cut mask for accurate canopy frame painting of the
Sword scale 1/72 KIT

CX 269



2.)

LIQUID MASK ■



3.)

