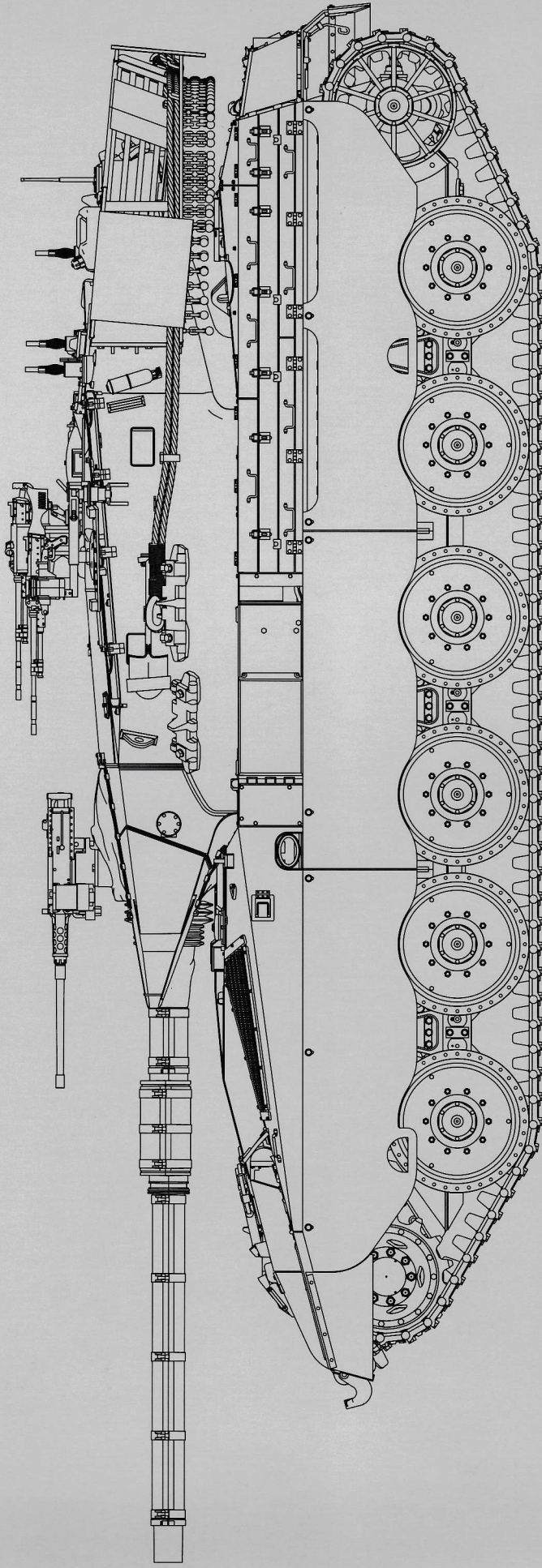


## ISRAELI MAIN BATTLE TANK

# MERKAVA MK.1



Named after the ancient Hebrew war chariot, Israel's Merkava tank was forged by experience on the battlefield as well as the painful political realities facing the Jewish state. After enthusiastically providing the UK with valuable data gathered during 2 years of intense evaluation of the Chieftain tank, The Israelis were denied the weapon after political objections by wealthy Arab states resulted in the British cancellation of their agreement in 1969. This sudden turn of events instigated the ultimate decision in Israel to rely on themselves and produce a local tank.

Drawing on experience gained operating U.S. & British tanks in heavy combat, the Merkava was designed after the Yom Kippur war of 1973, and after several prototypes were tested and improved, the new tank went into production in 1977. Design features included a troop compartment in the rear accessed by a unique split hatch reminiscent of APC's, a 908 Hp Teledyne Continental AVDS 1790-6A diesel engine mounted in the front of the hull for increased crew protection from the front, and a flat, arrow-shaped turret housing a powerful license-produced fully-stabilized version of the US rifled 105-mm M68 tank gun. Up to 62 rounds can be carried, including APFSDS, HEAT, HE-FRAG, and smoke rounds. Secondary armament comprised of two US 7.62 mm machine-guns and a third heavy Browning .50 caliber could be mounted on top of the commander cupola. An external 60 mm mortar could be fired by an operator from the nearby hatch. The tank features a Laser Range Finder and a digital fire control system, and enjoys NBC protection and an automatic fire extinguishing system. The Merkava can carry up to 10 fully equipped troops, as well as its crew of 4, consisting of the driver, gunner, loader, and commander. A total of 250 tanks were produced until 1981.



# READ BEFORE ASSEMBLY

## CAUTION

- Read carefully and fully understand the instructions before commencing assembly. A supervising adult should also read the instructions if a child assembles the model.
- When assembling this kit, tools including knives used. Extra care should be taken to avoid personal injury.
- Keep out of reach of small children. Children must not be allowed to suck any part, or pull vinyl bag over their heads.



Optional  
Drill



Optional  
Fill Holes



Optional  
Be Careful



Optional  
Remove



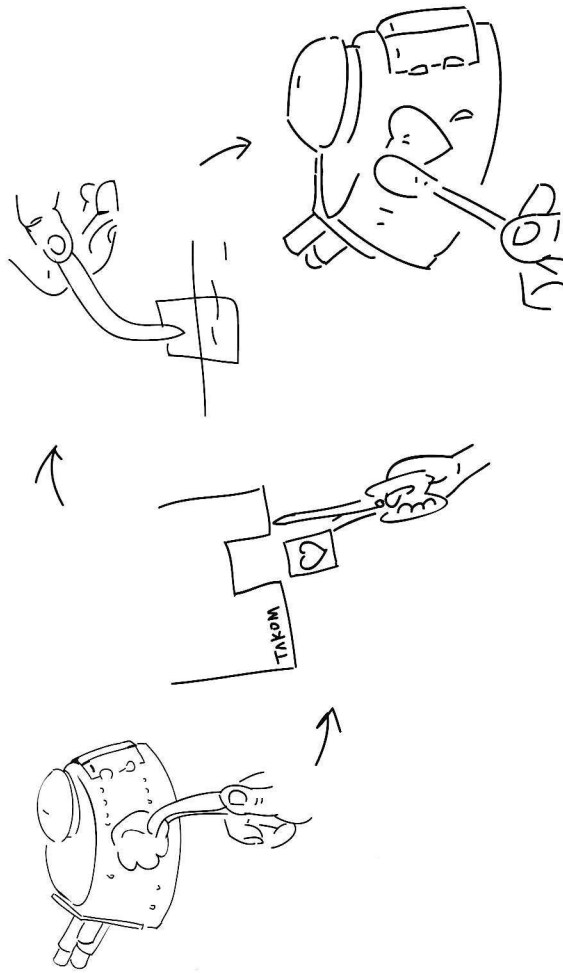
Optional  
Instant Glue  
for Metal

Color info and profiles by Mig Jimenez

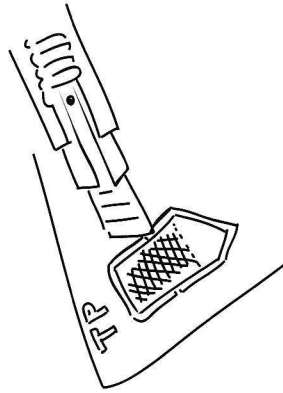
A.MIG 032 Satin Black	A.MIG 033 Rubber & Tires	A.MIG 035 Dark Tracks	A.MIG 036 Old Wood
A.MIG 045 Gun Metal	A.MIG 047 Satin White	A.MIG 049 Red	A.MIG 093 Crystal Red
A.MIG 094 Crystal Glass	A.MIG 095 Crystal Smoke	A.MIG 195 Silver	A.MIG 067 Light Sand Grey
A.MIG 098 IDF Green	A.MIG 192 Real IDF Sand Grey 73		

## APPLYING DECALS

1. Clean the model surface with a wet cloth.
2. Cut out each decal design from sheet, and dip it in tepid water for 15~20 sec.
3. Hold the backing sheet edge and slide decal onto the model.
4. Move decal into position by wetting decal with finger.
5. Press decal gently down with a soft cloth until excess water and air bubbles are gone.



## REMOVING PE



Be careful not to hurt when removing PE parts.



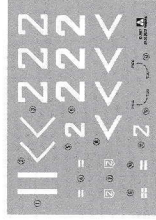
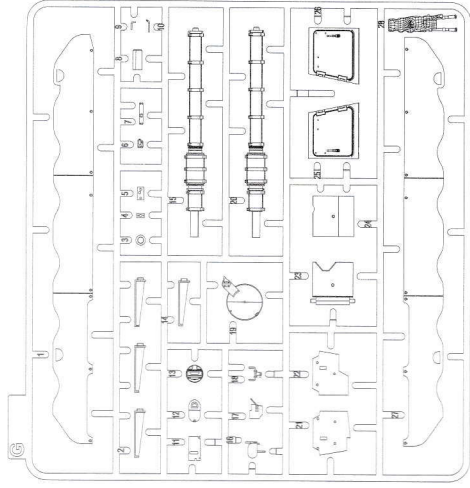
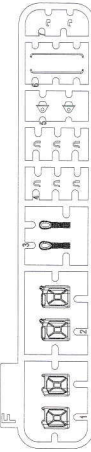
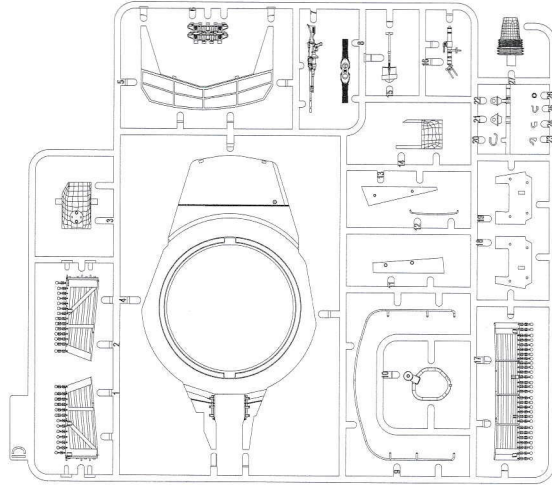
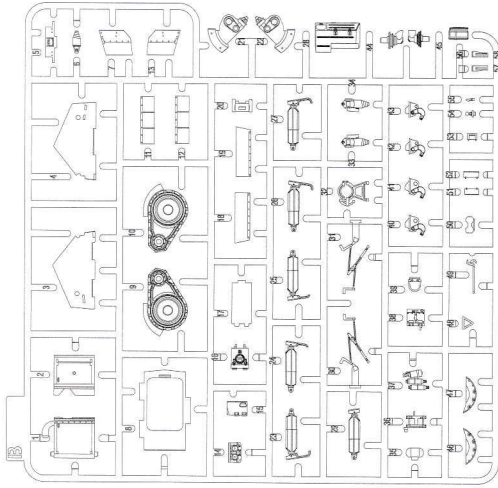
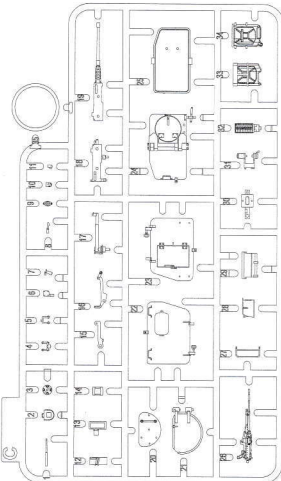
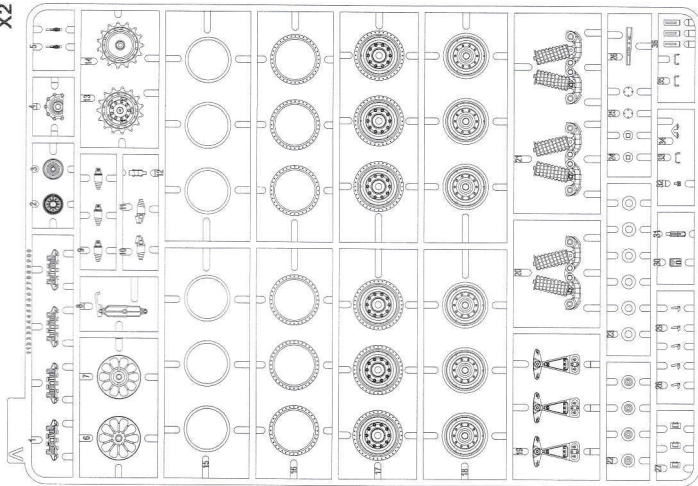
Finish using file.

Secure using instant glue (not included).

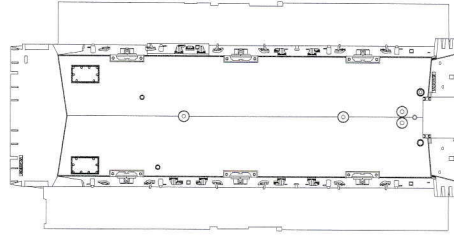


# PARTS

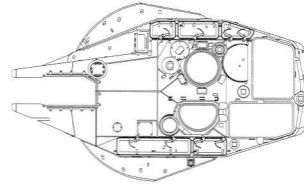
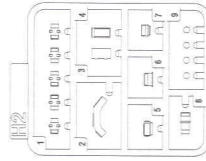
X2



Decal

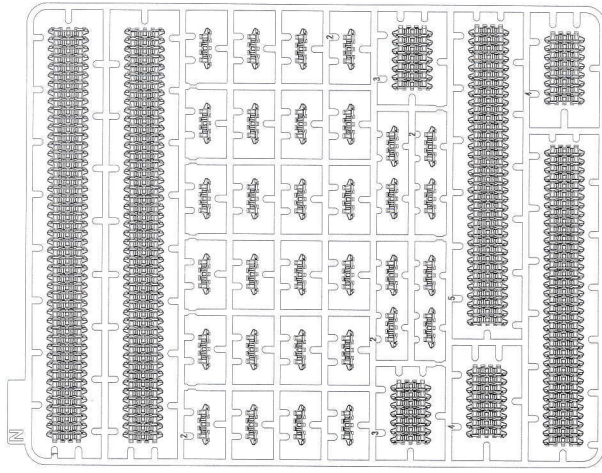


Lower Hull

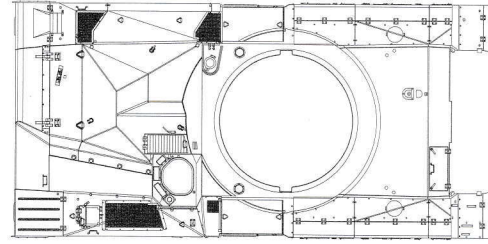


Turret

Metal Part

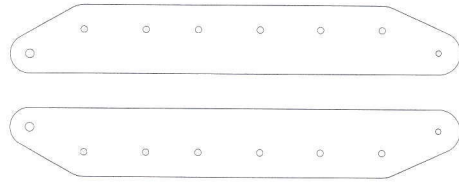


TP



Cable

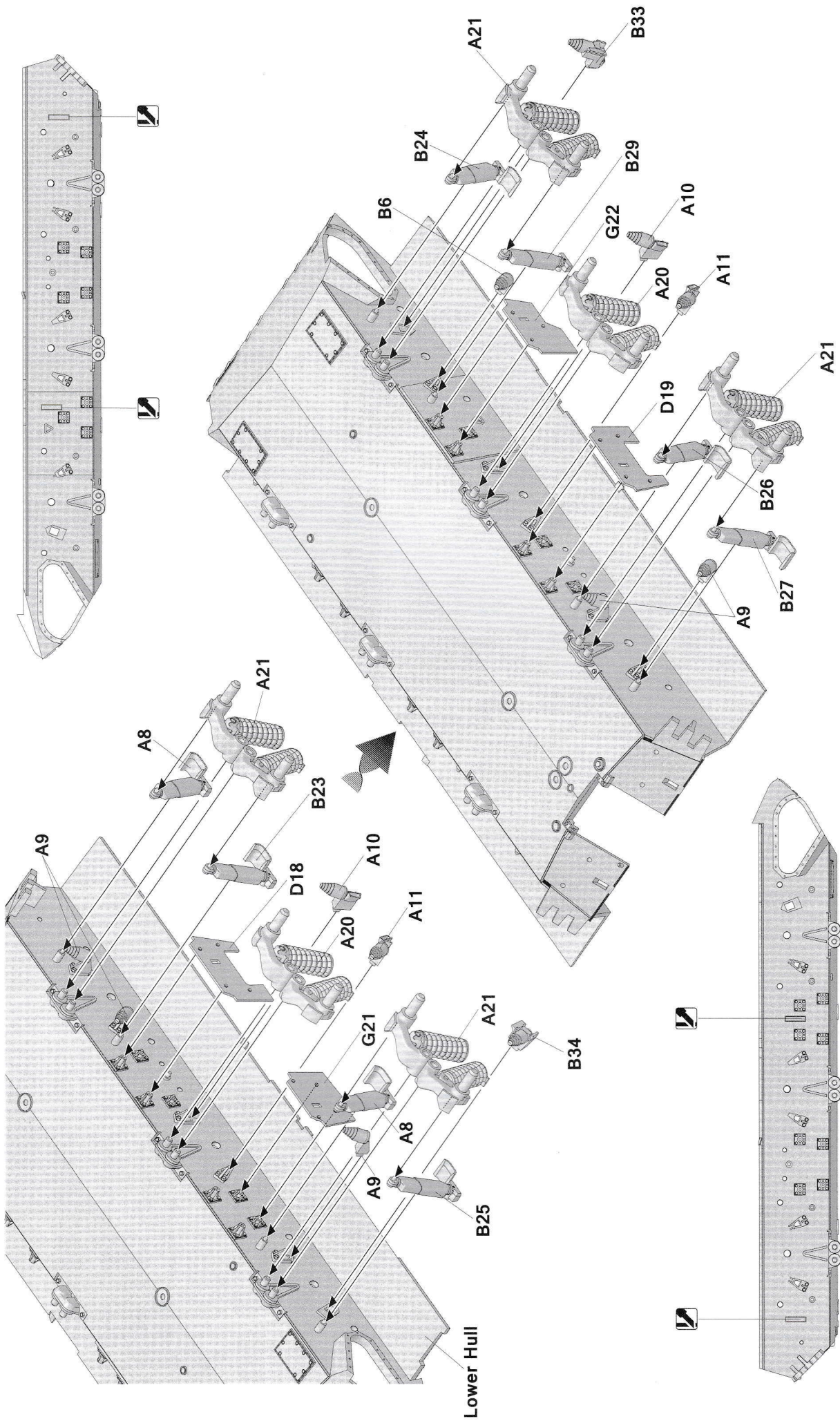
Upper Hull



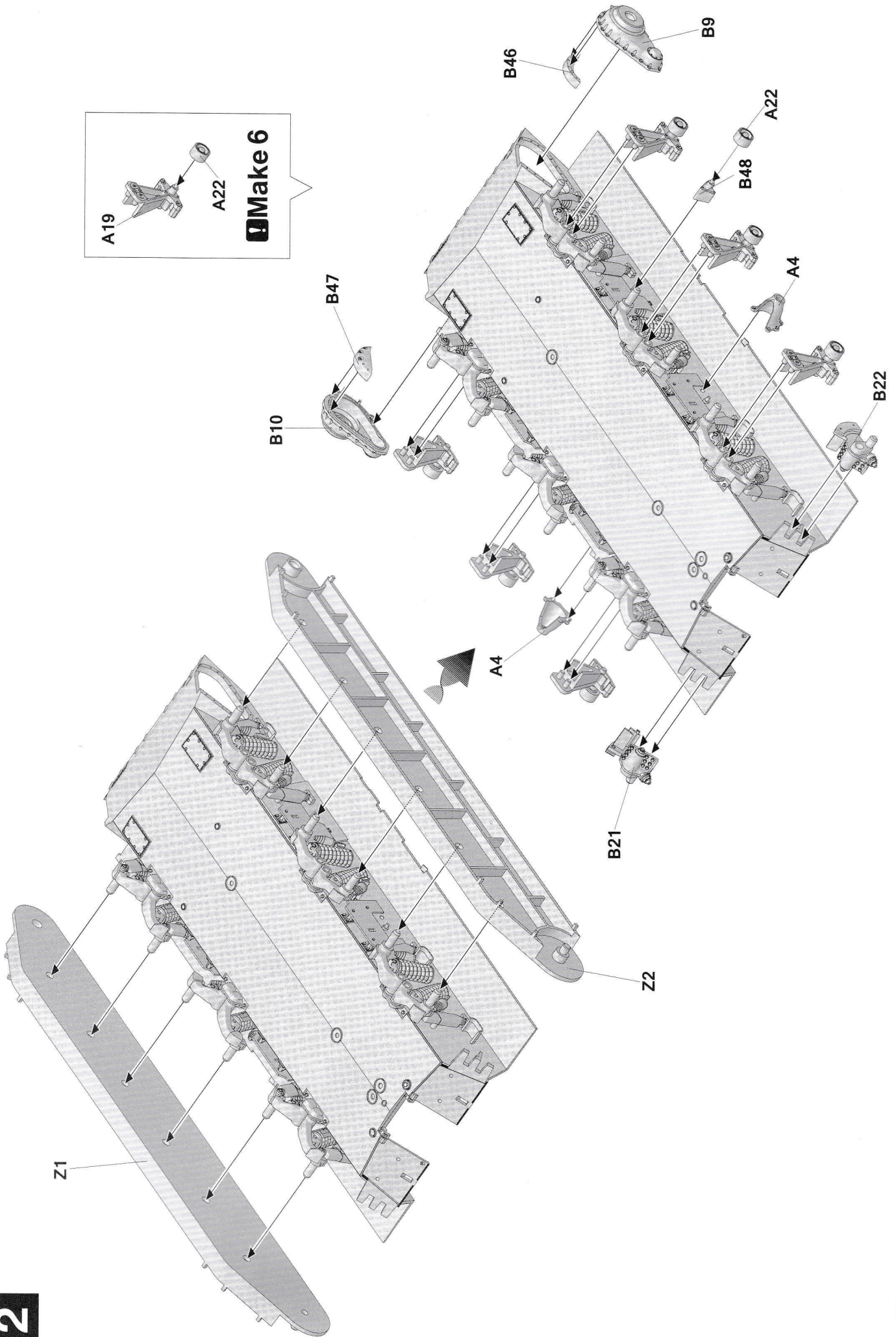
Z1

Z2



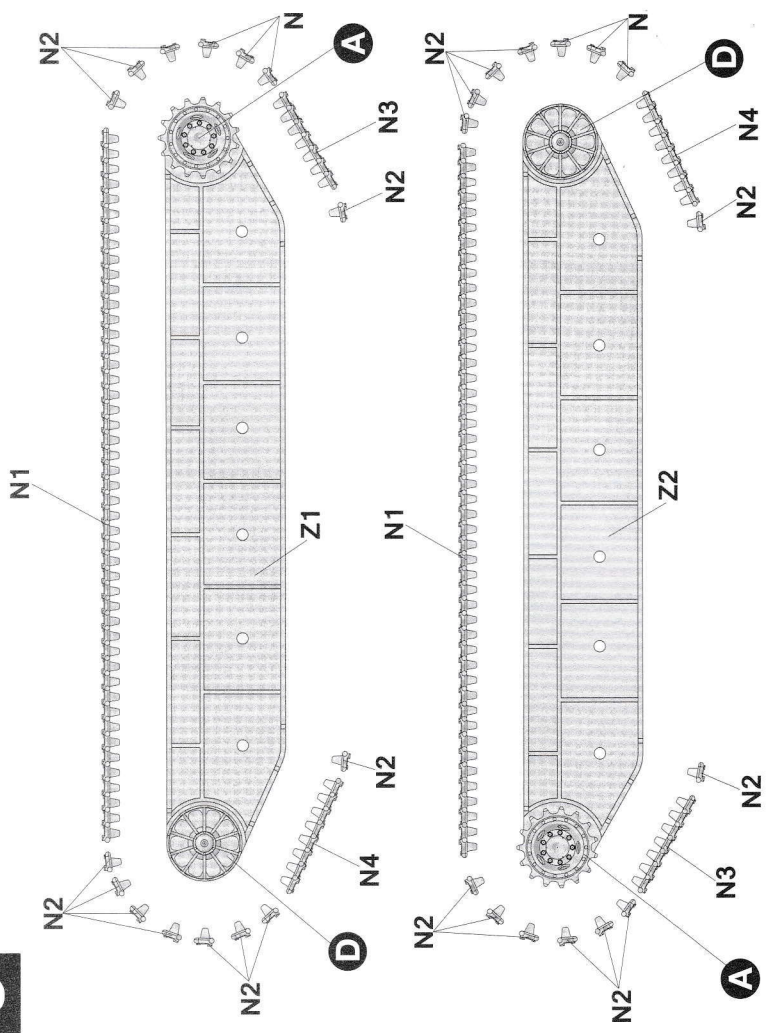




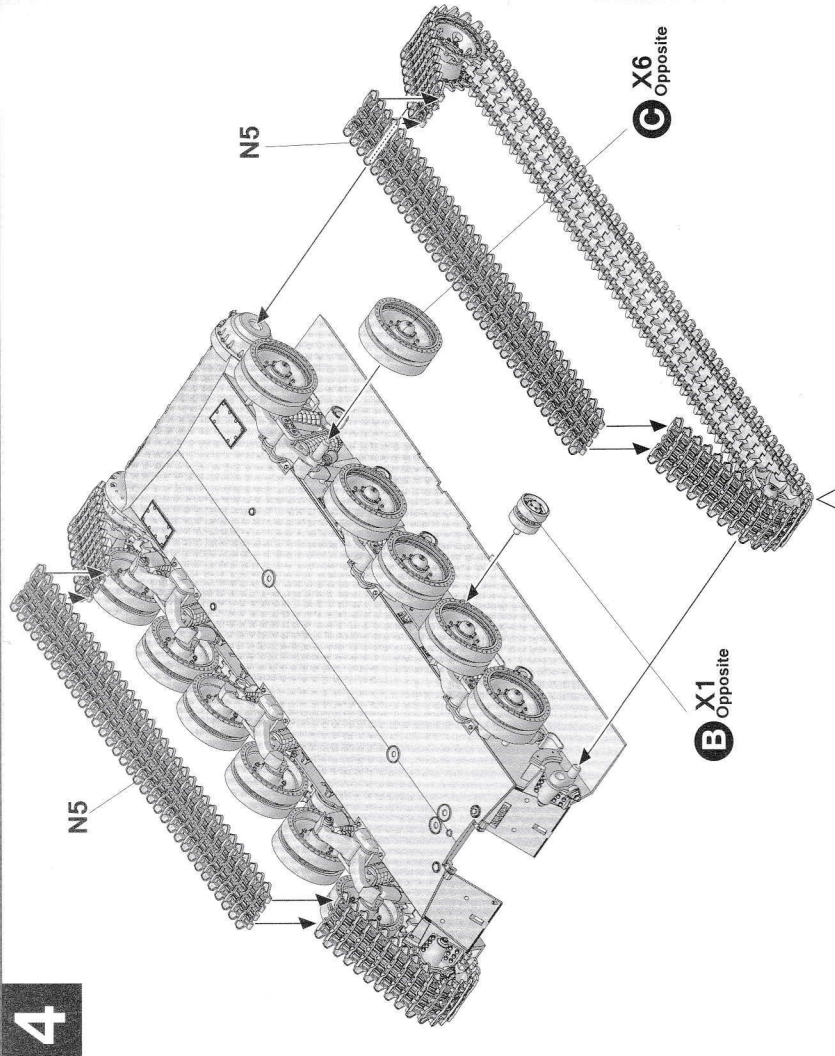




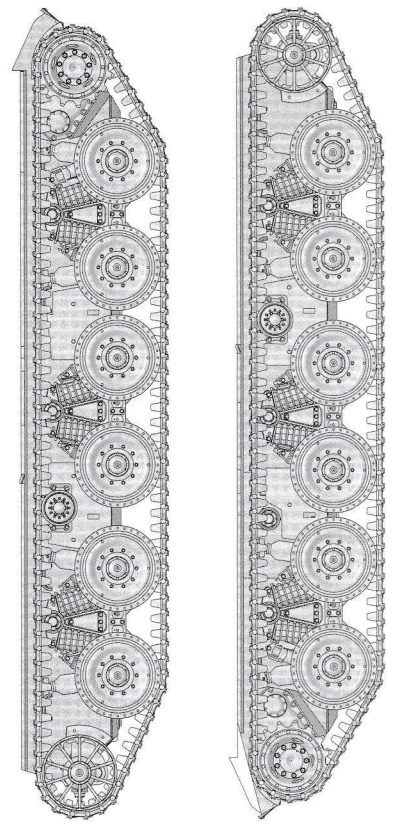
3



4



5

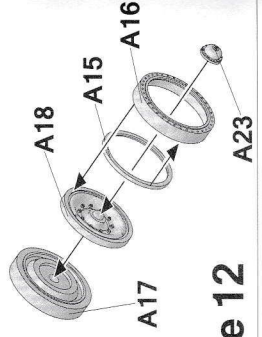


A



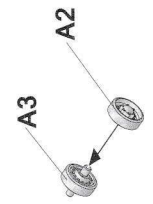
Make 2

C



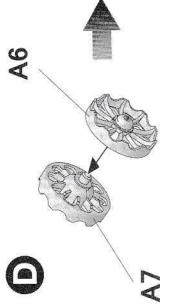
Make 12

B



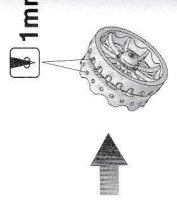
Make 2

D



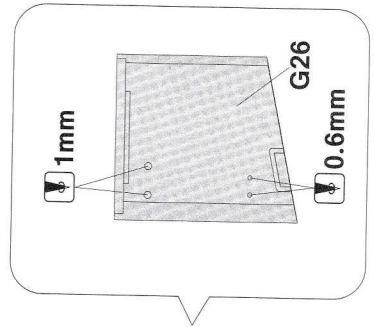
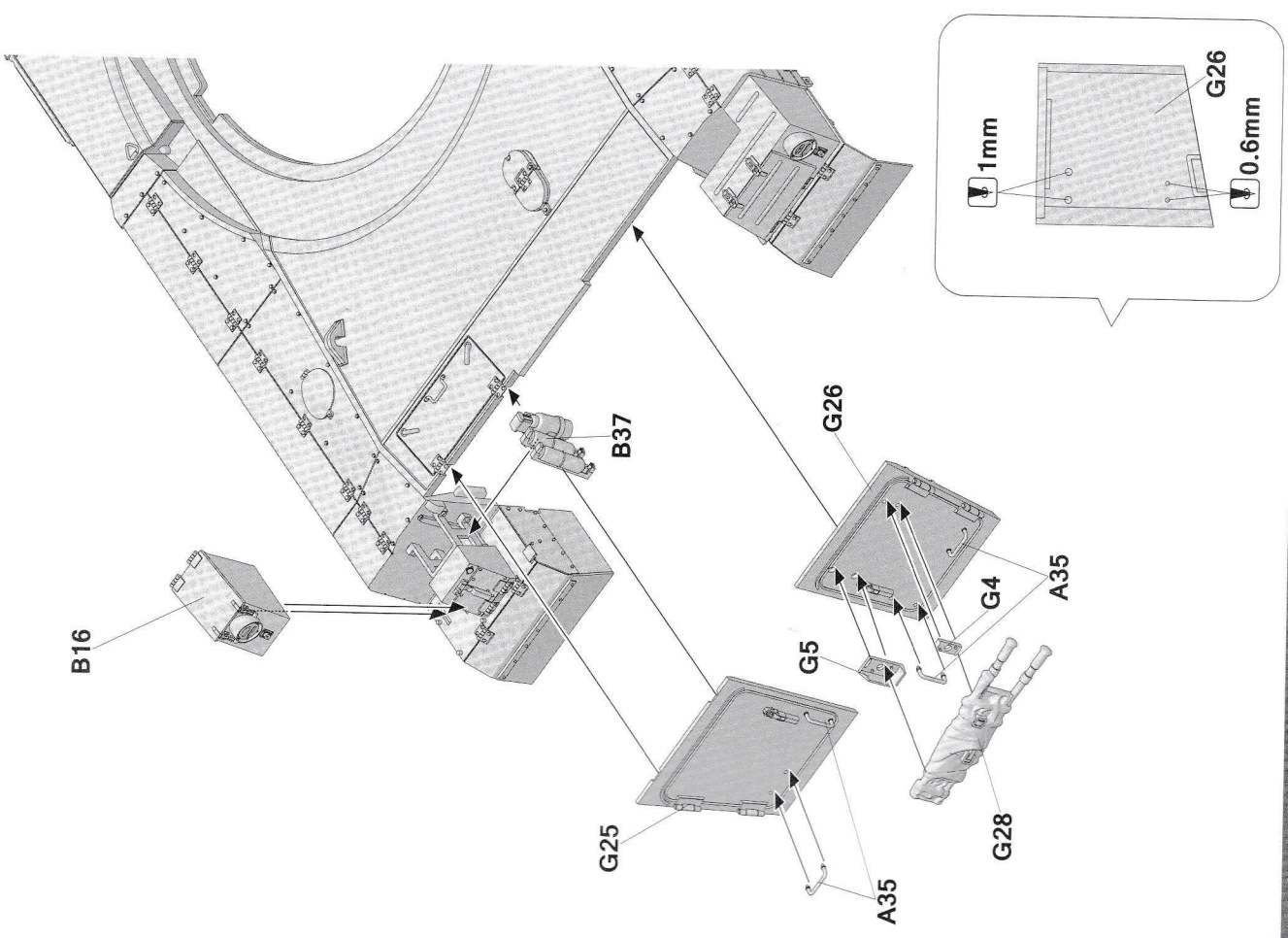
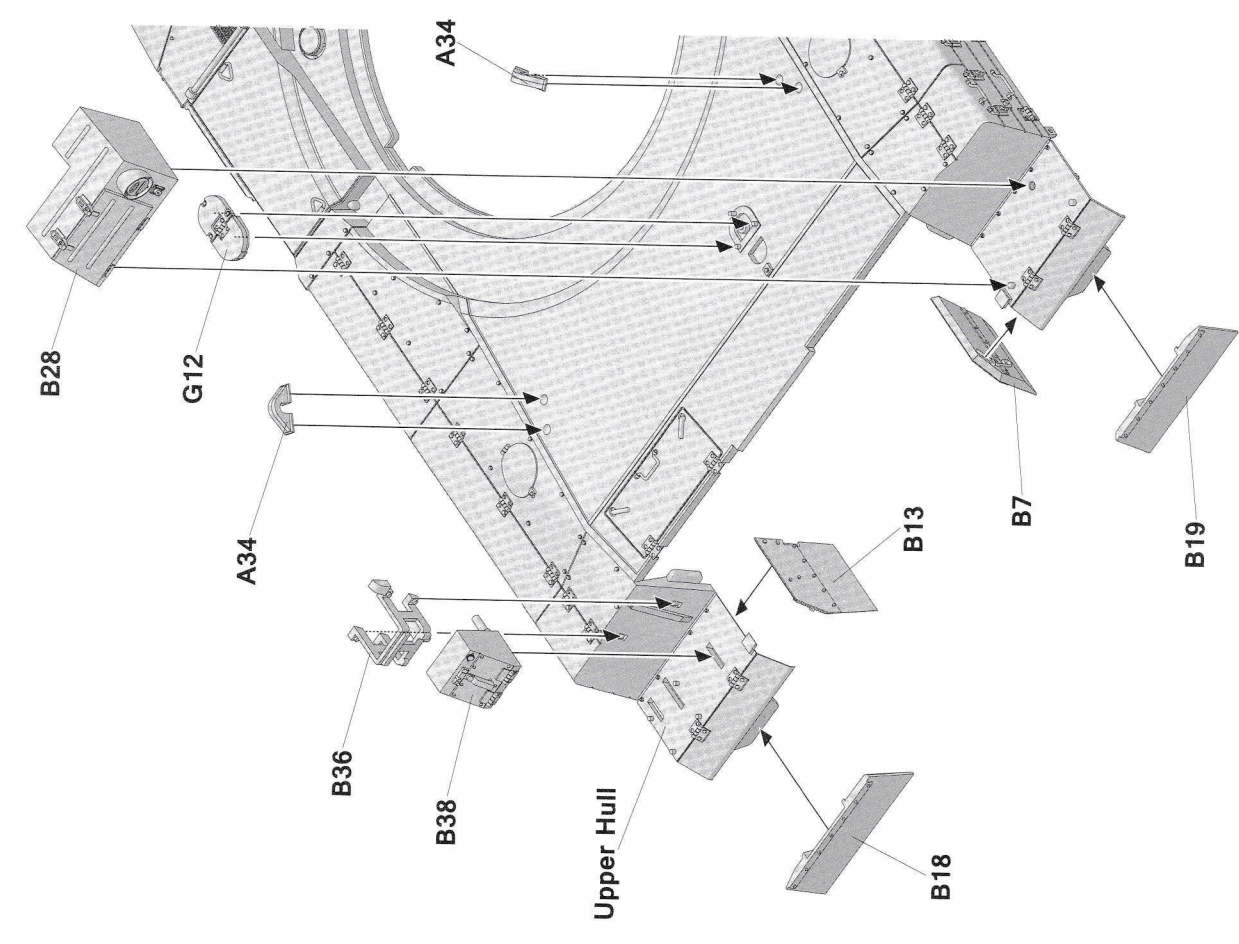
Make 2

C35



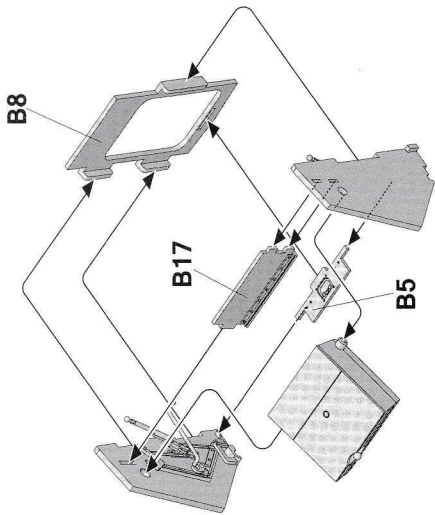
5



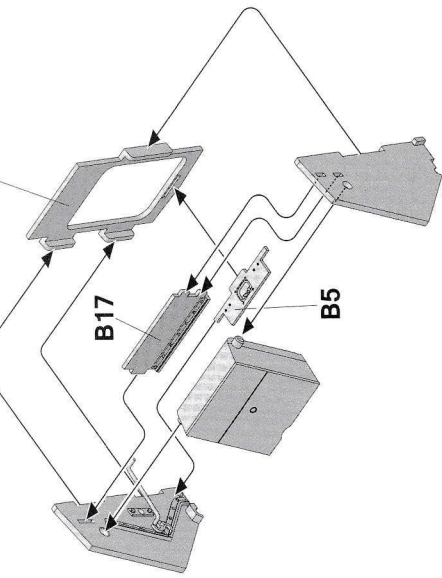




8

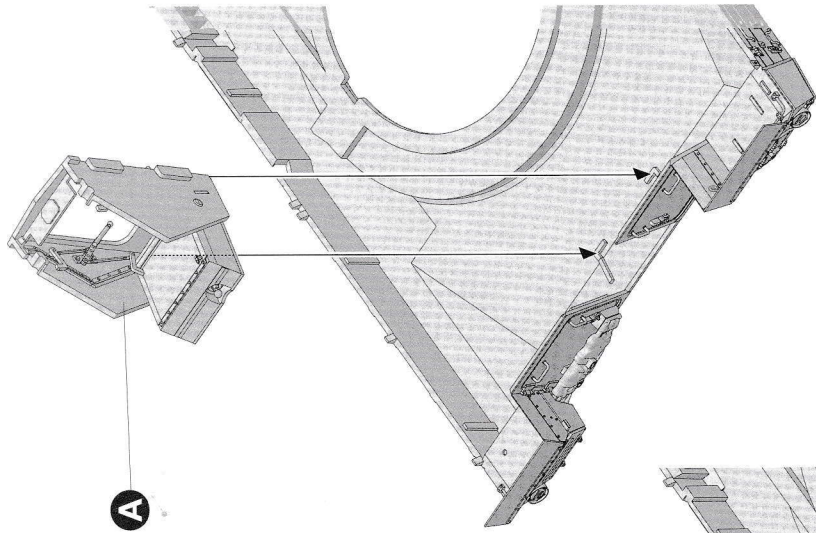


A

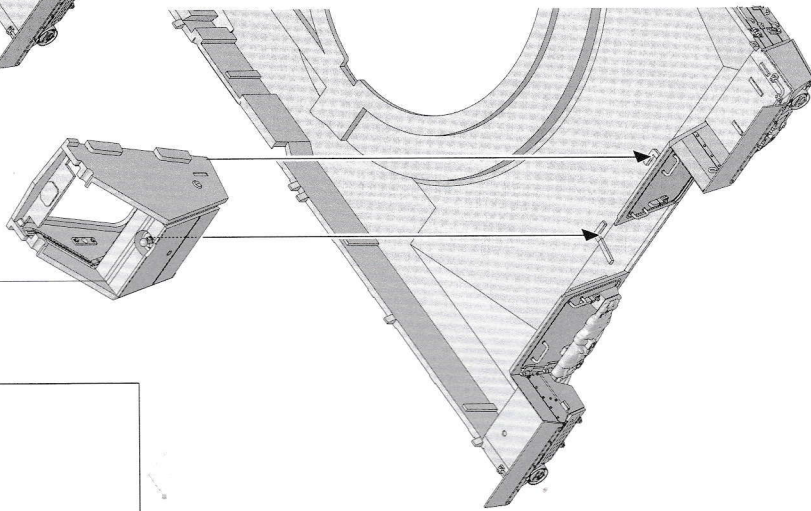


B

9



A



B

