



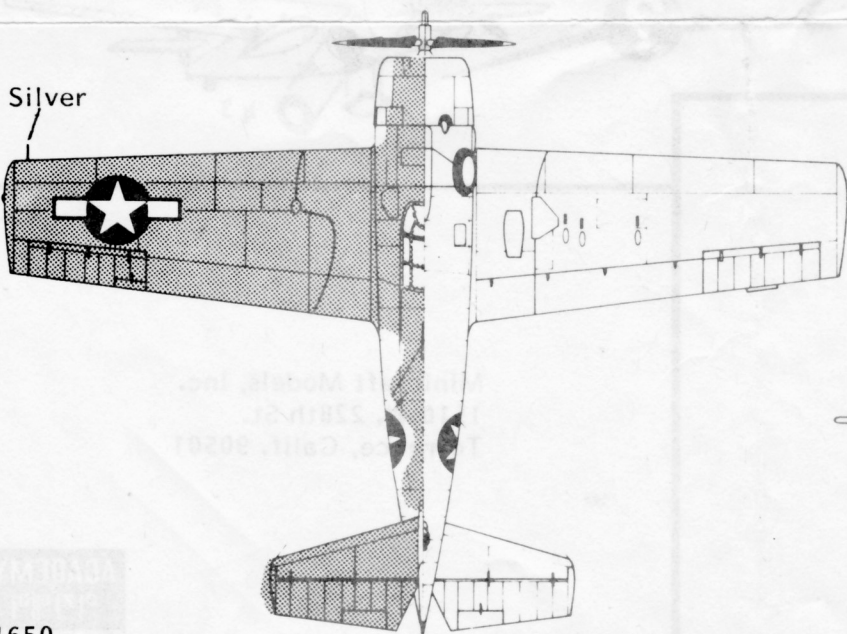
1/72 scale **GRUMMAN F4F-4 WILDCAT**


When the Japanese attacked the United States in 1941, the most modern fighter in the Navy was the Grumman F4F Wildcat. Although the Wildcat was small, it was not as fast or maneuverable as the Japanese Zero fighter, but it was a very durable machine. However, in the hands of an experienced pilot, the Wildcat could best the feared Zero and the little Grumman fighter held its own against the enemy until the more powerful Hellcat was available about a year later.

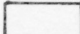
Several Navy pilots became aces in the little Wildcat, among them Lt. "Butch" O'Hare. Other pilots used their F4F's to sink Japanese submarines and one even sent an enemy cruiser to the bottom.

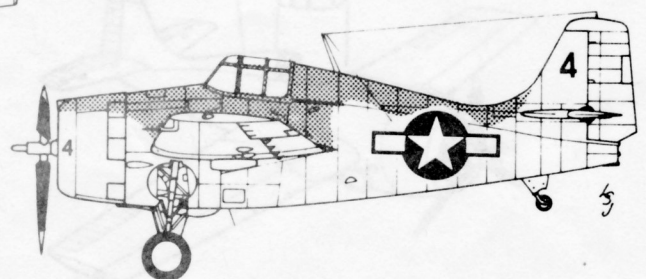
The Wildcat proved itself during the war, and even with the Hellcat entering service, production of the F4F continued, although they were built by General Motors after the middle of 1943. When production ended in 1945, a total of 7,815 of the stubby fighters had been completed.

The Wildcat had a top speed of 320 mph at 18,800 feet. It was armed with six .50 cal machine guns, and could carry bombs and, in later versions, five inch rockets. Your Minicraft Academy model depicts a General Motors Wildcat in the unique gray and white Sea Search color scheme used by patrolling Wildcats in search of enemy shipping.



 Blue-Gray

 White



25 FEET



Cement Parts
Coller
Kleben
Pegar
Incollare
Colar
Kleiven



DO NOT cement
Ne pas coller
Nicht kleben
No pegar
Non incollare
Não colar
Niet kleiven



Cut away Parts
Couper
Scheiden
Cortar
Tagliare
Cortar
Snijden



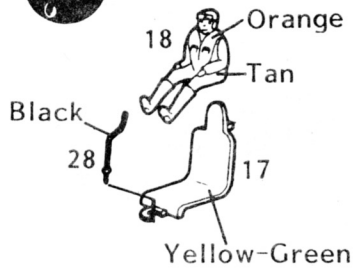
Optional parts
Choix
Auswahimoglichkeit
Eleccion
Scelta
Opcao
Keuze



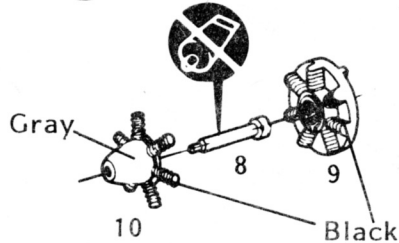
3

Repeat operation
Répéter l'opération
Vorgang wiederholen
Repitir la operacion
Ripetere
Repitir a operação
Herhalen

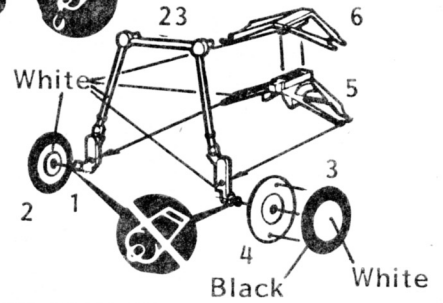
1



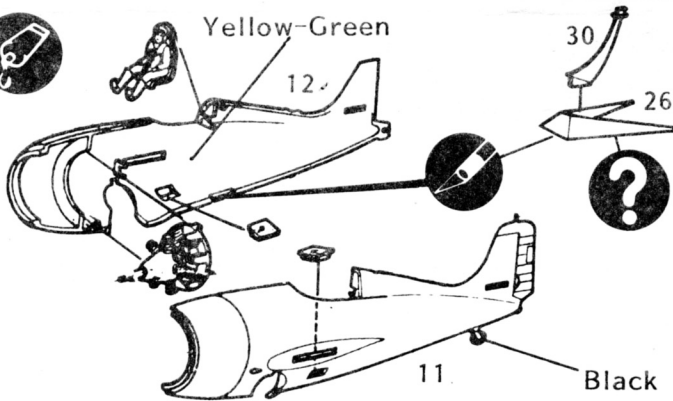
2



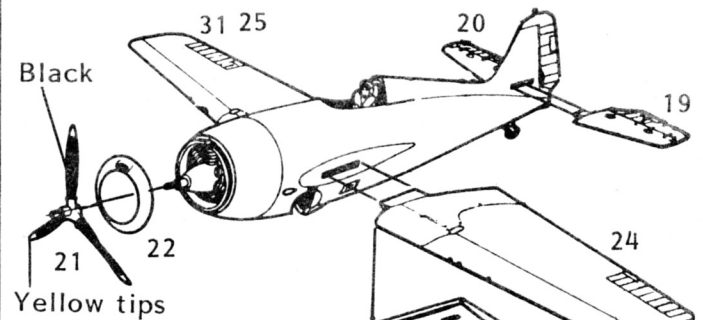
3



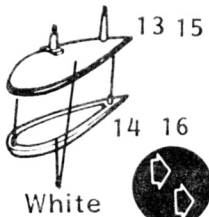
4



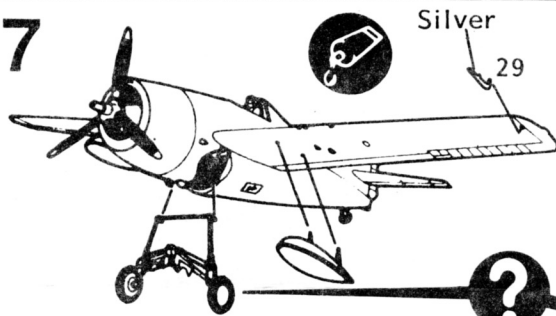
5



6

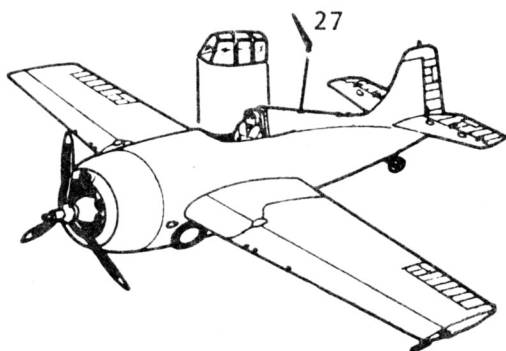


7



2

8



1650

Minicraft Models, Inc.
1510 W. 228th St.
Torrance, Calif. 90501



Copyright 1987 Minicraft Models, Inc.