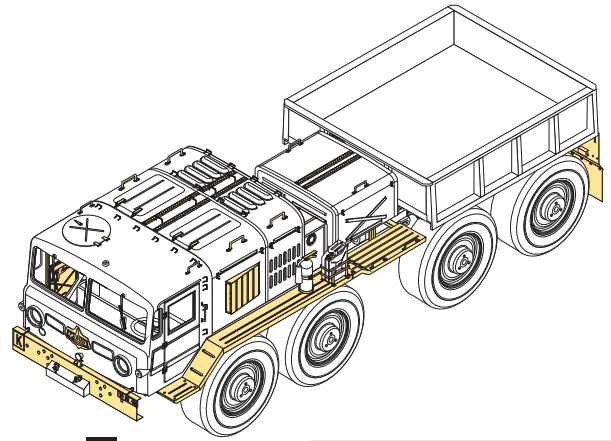
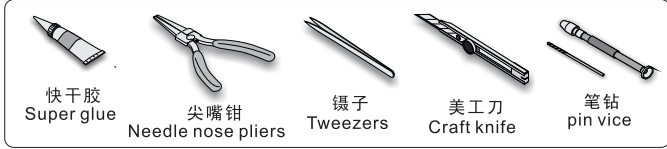


1/35 MILITARY MINIATURE VEHICLE UPGRADE SERIES PE35325
**Modern Russian KZKT-537L
Tractor**

现代俄罗斯KZKT-537L卡车改造件

[For TRUMPETER 01005]

推荐使用工具 RECOMMENDED TOOLS

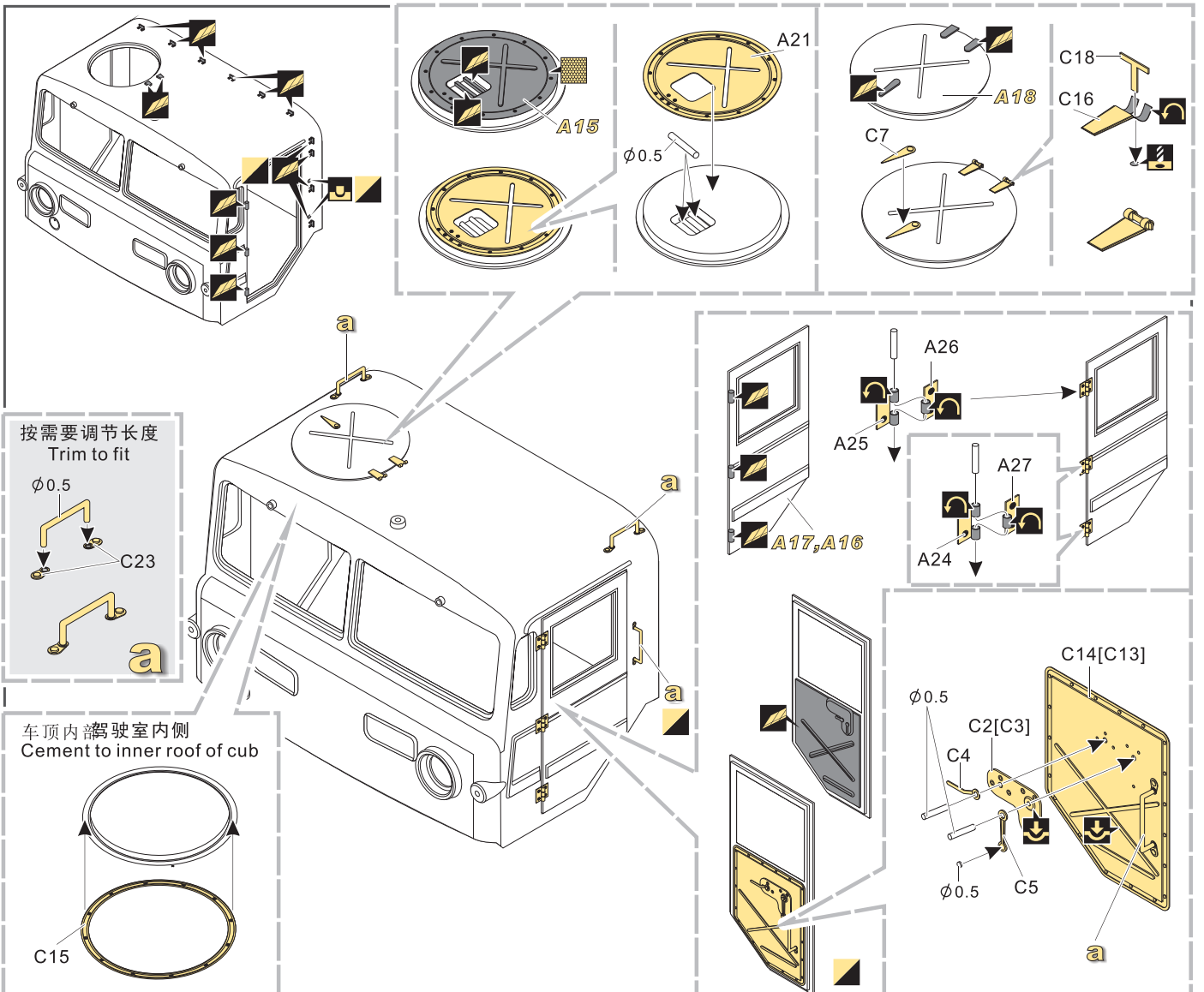


- 安装
install
- 折叠
bend
- A1**
改造件零件编号
PE/resin part number
- B12**
原零件编号
kit part number
- C22**
被替换的原零件编号
replaced kit part number
- x2**
制作若干组
multiple assembly
- 弧度卷曲
radial bending
- 选择安装
alternative
- 切除
remove
- 钻孔
drill
- 注意
caution
- 另一侧相同制作
repeat on opposite side
- 用尖端在凹槽处冲压
use penpoint to press on the dent
- 打磨
grind off
- 填补
fill
- 用铜管制作
make from brass tube
- 用胶棒制作
make from plastic rod

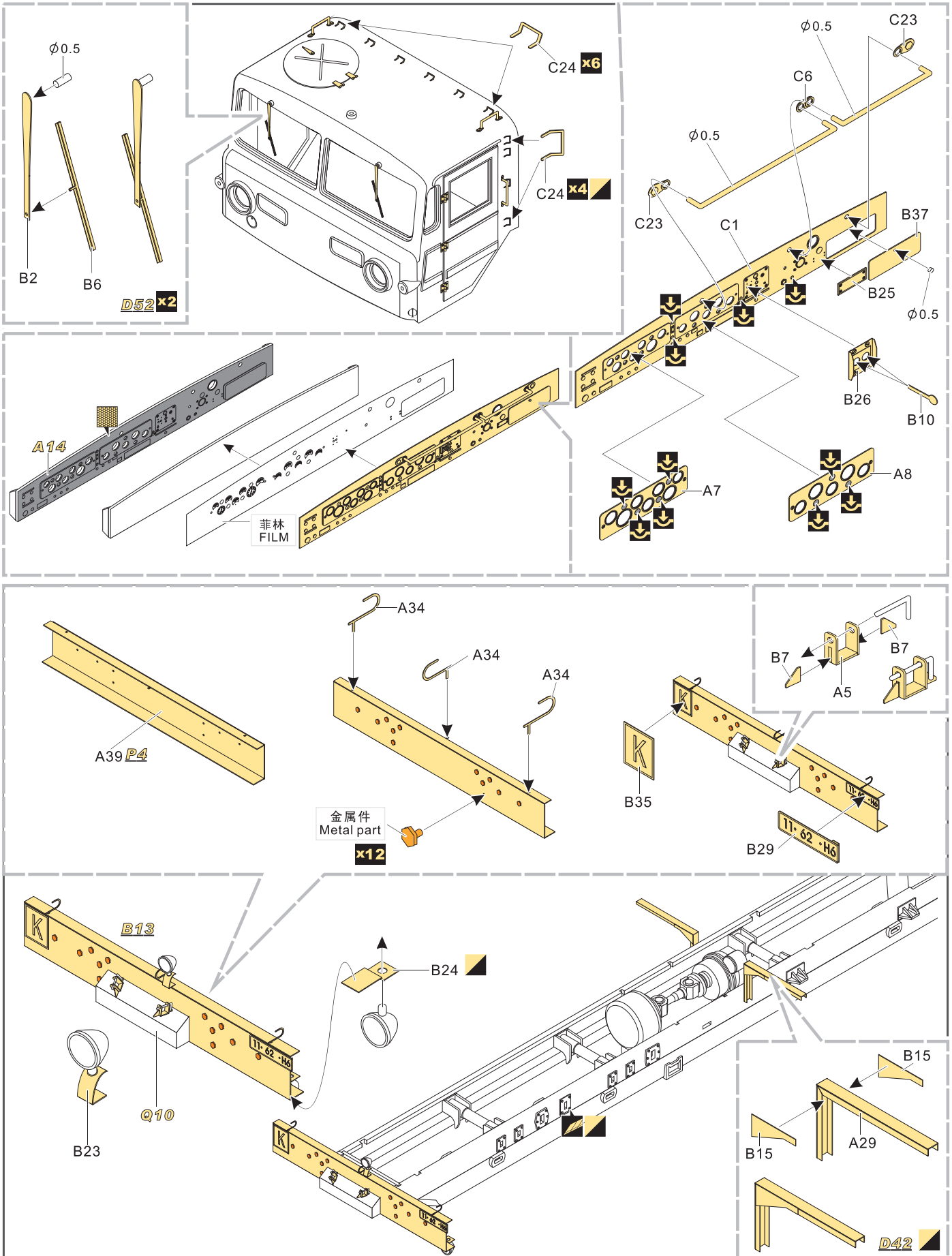
用尖端在凹槽处冲压
use penpoint to press on the dent

蚀刻片零件内侧面
Put the part upside down

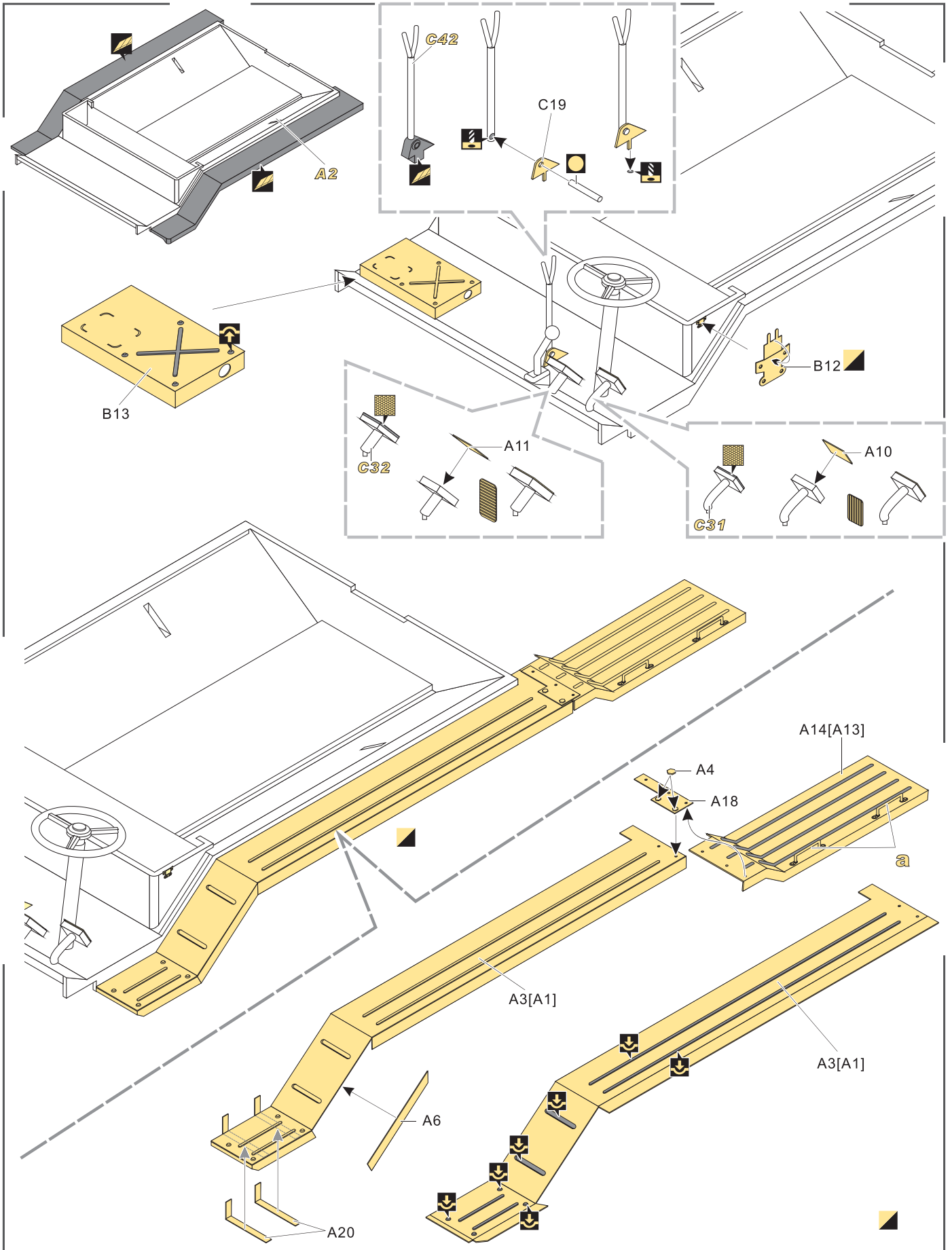
用笔尖在凹槽处刮
Use penpoint to press on the dent



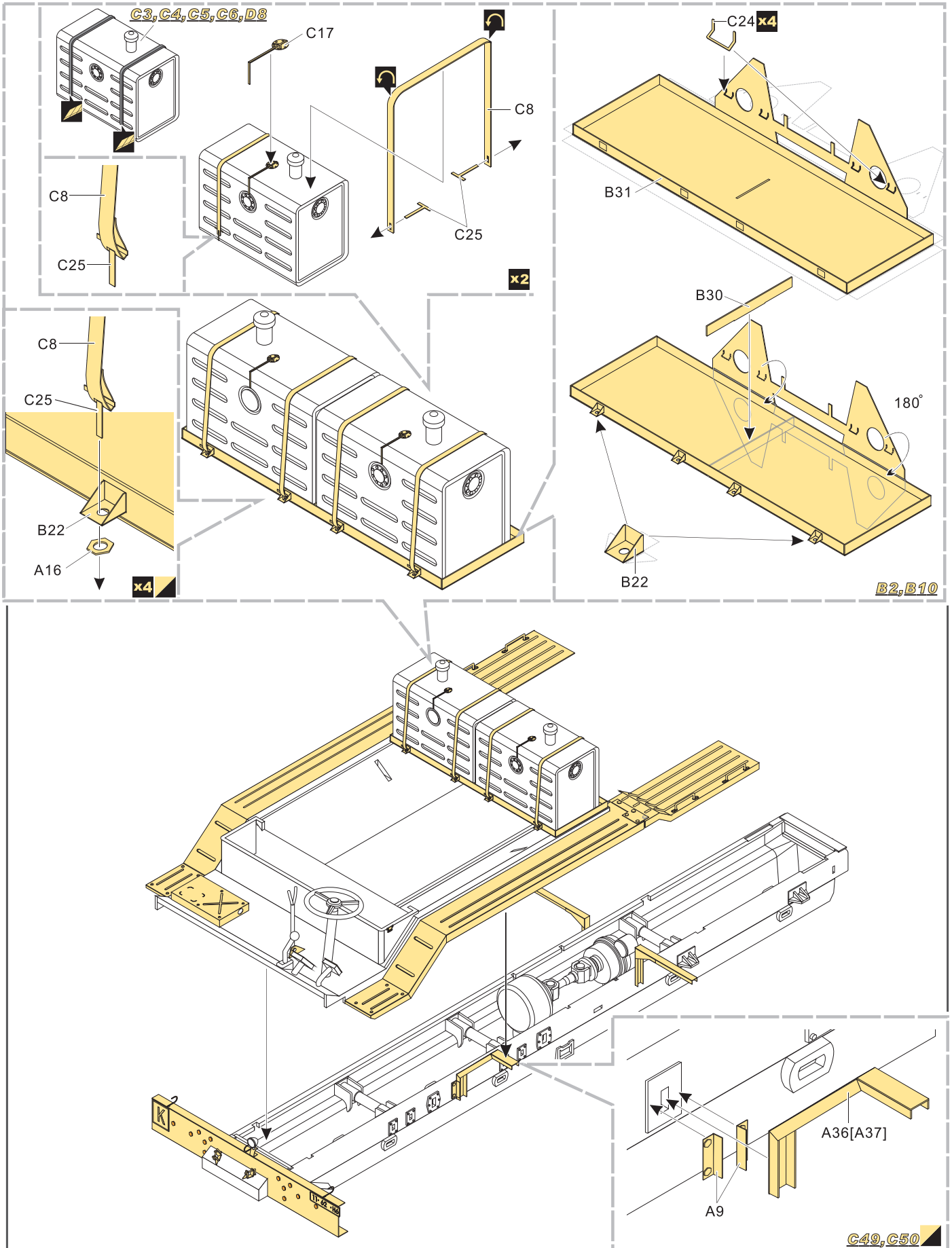
1/35 MILITARY MINIATURE VEHICLE UPGRADE SERIES PE35325



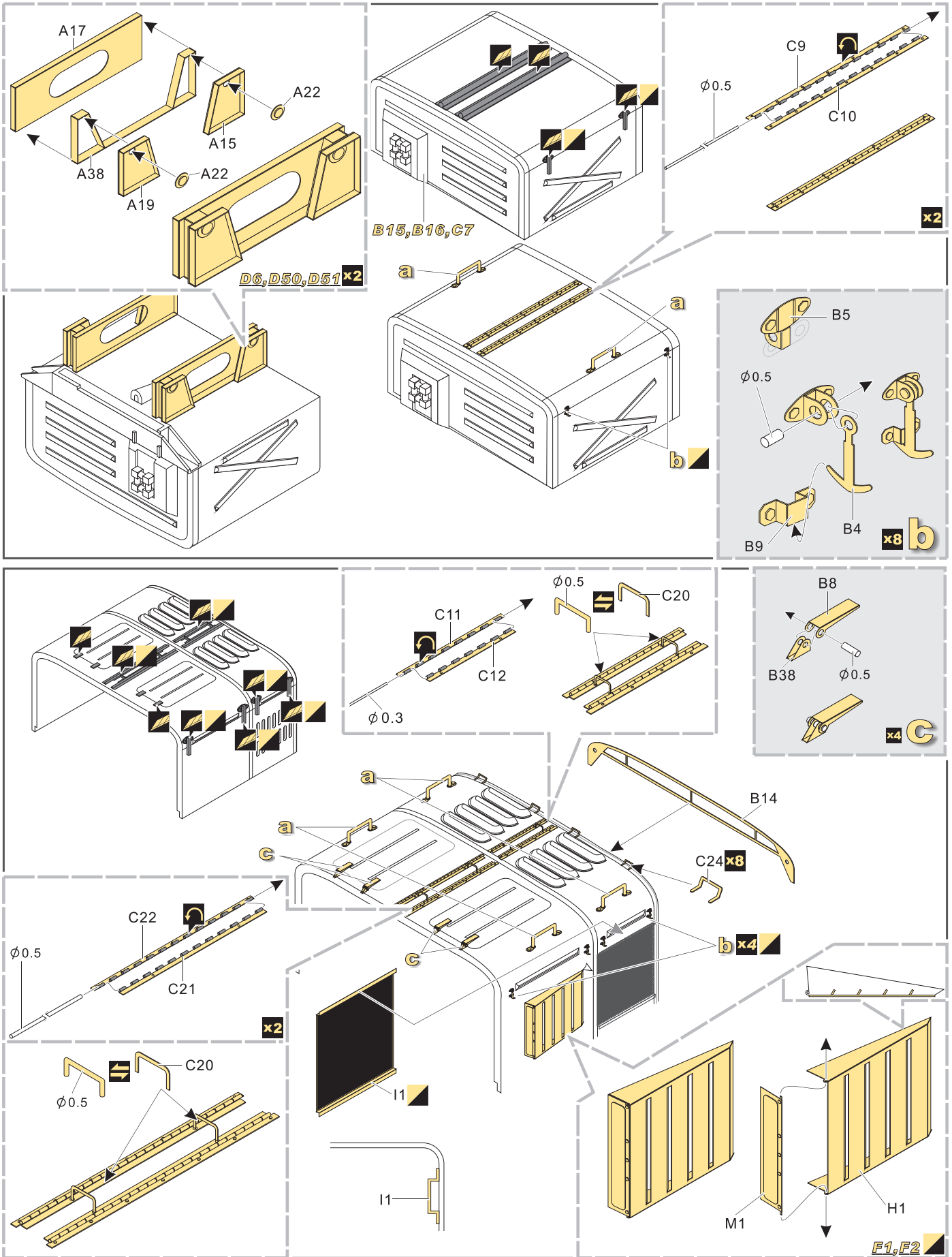
1/35 MILITARY MINIATURE VEHICLE UPGRADE SERIES PE35325



1/35 MILITARY MINIATURE VEHICLE UPGRADE SERIES PE35325



1/35 MILITARY MINIATURE VEHICLE UPGRADE SERIES PE35325



1/35 MILITARY MINIATURE VEHICLE UPGRADE SERIES PE35325

