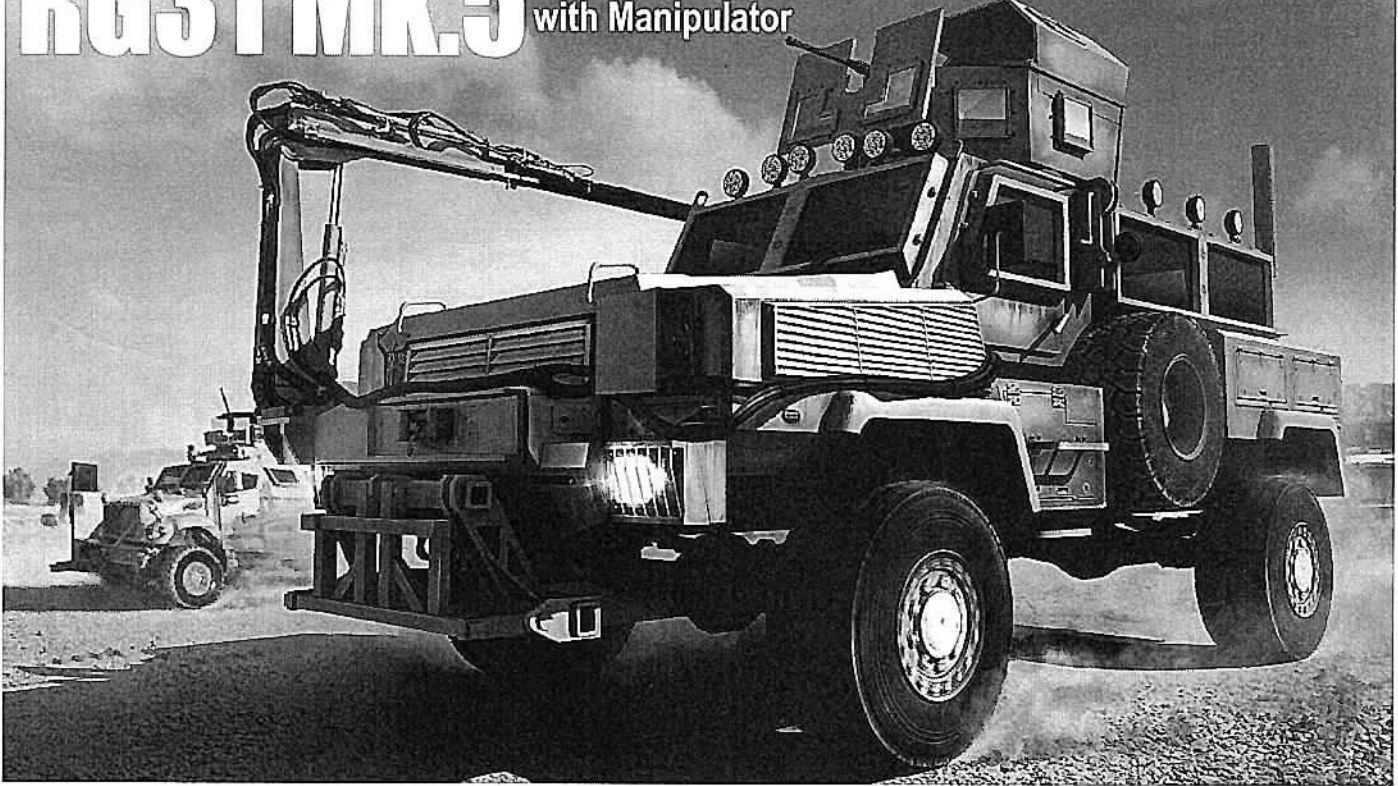


# RG31 Mk.5 4x4 Armoured Mine-protected Personnel Carrier with Manipulator



## RG31 Mk.5 4x4 Armoured Mine-protected Personnel Carrier with Manipulator

The RG31 mk5 is a 4x4 armoured mine-protected personnel carrier vehicle developed by BAE Systems in South Africa. The mk5 is a standard variant in the RG-31 family and specially designed for resisting improvised explosives and mines. The vehicle can accommodate a crew of ten members. The RG31 mk5 vehicle first went into service in early 2006.

The RG31 vehicle has a range of features, including high mobility, ease of handling and air-conditioning for comfort. The vehicle's high level of protection against improvised explosive devices (IED) and landmines makes it adoptable for multipurpose military applications, such as blast-resistant patrol vehicles, armoured utility vehicle, command vehicle, surveillance vehicle and ambulance.

The RG31 mk5 has a V-shaped monocoque-welded steel hull, which provides protection against IEDs and ballistic threats.

The vehicle can protect the occupants against a double landmine of TM-57 under any wheel and single TM-57 mine below the vehicle. It has a ballistic protection against 7.62mm armoured-piercing ammunition, small arm fires and anti-tank mines detonations. The all-steel welded armour can be enhanced with an add-on for enhancing the ballistic protection. The glass windows of the vehicle are bullet proofed and tinted for providing protection and clear vision. It also has night vision, and nuclear, biological and chemical (NBC) protection.

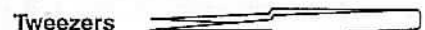
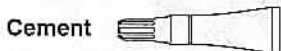
### CAUTION

- \*Read carefully and fully understand the instructions before commencing assembly.
- \*Keep out of reach of children. Children must not be allowed to put any parts in their mouths, or pull plastic bag over their heads.
- \*When using adhesives and paints, please make sure not to use them in closed room or near the fire.
- \*When assembling this kit, tools including knives are used. Extra care should be taken to avoid injury.

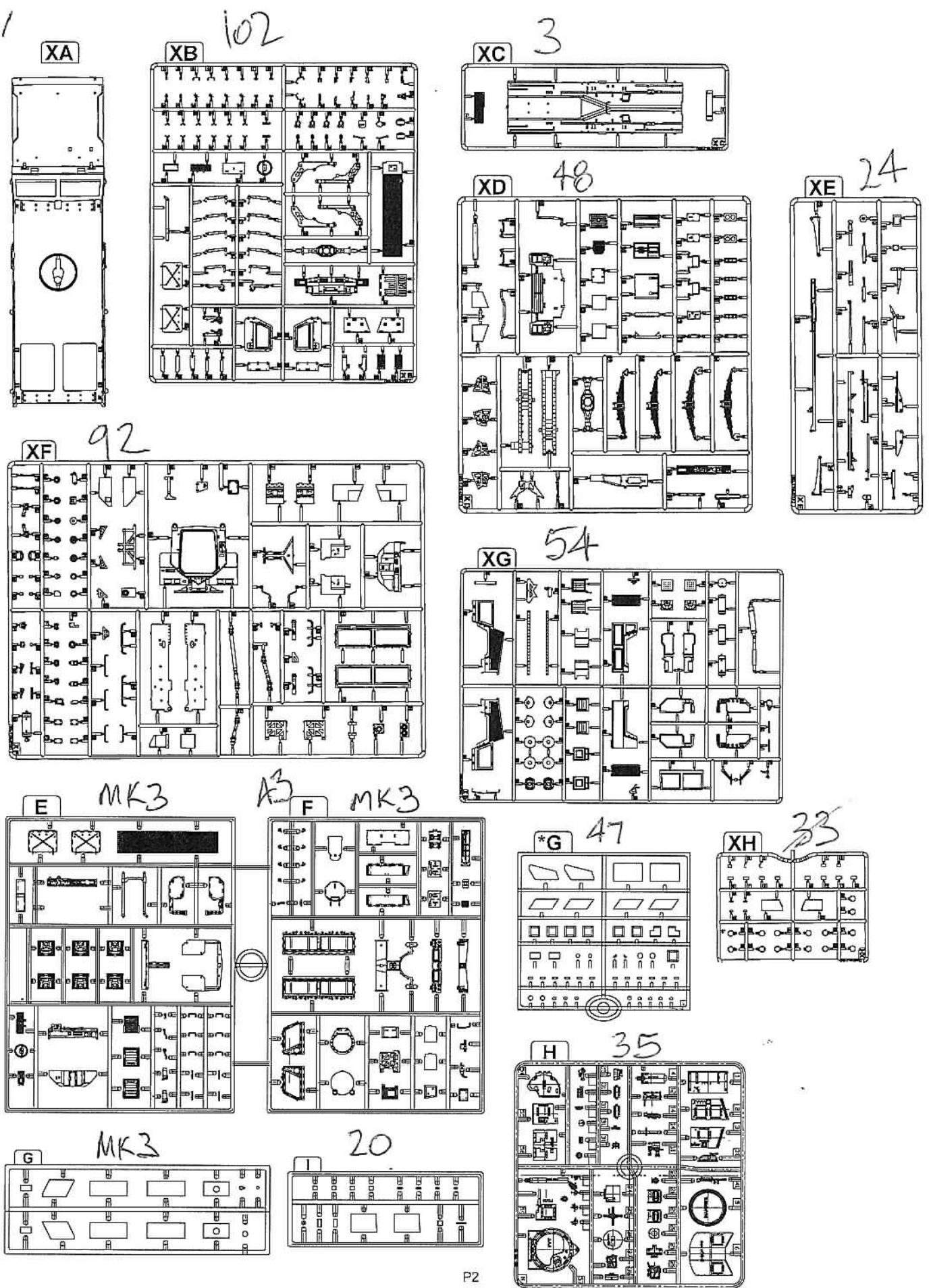
**WARNING: CONTAIN SMALL PARTS NOT FOR CHILDREN UNDER 14 YEARS OF AGE.**



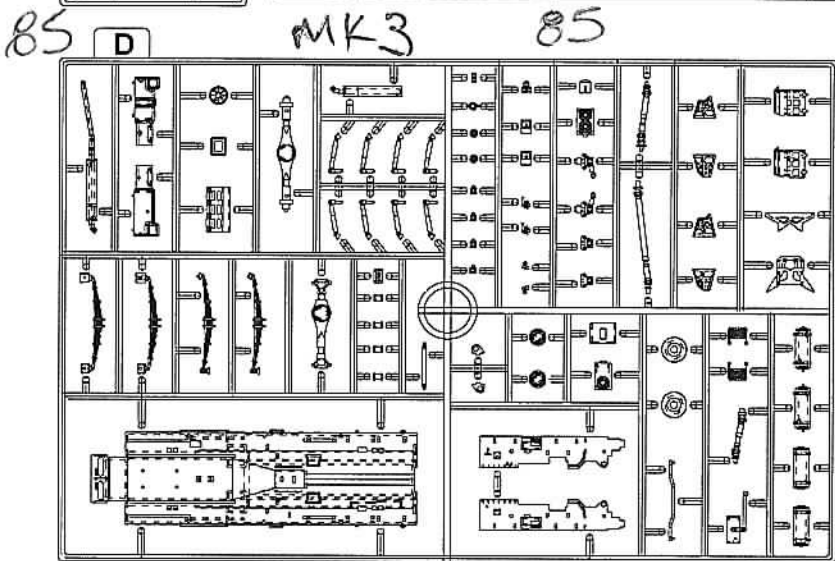
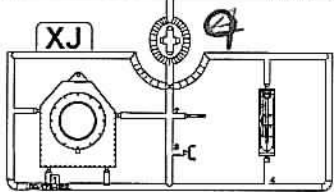
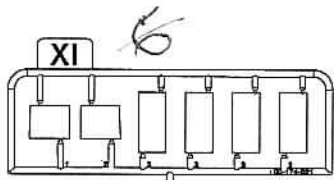
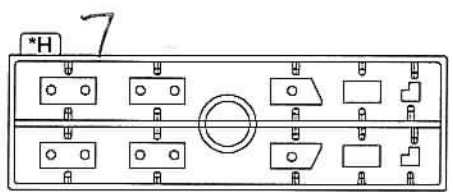
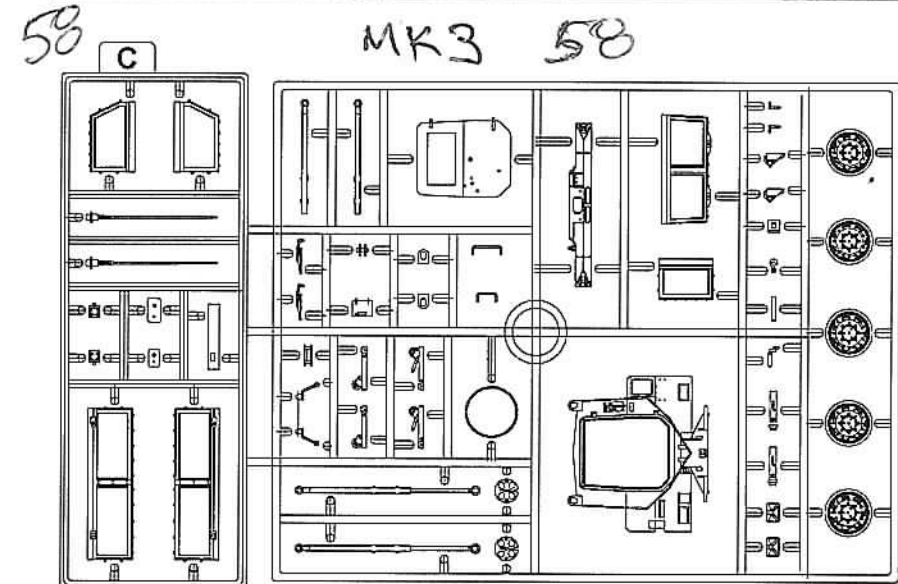
### TOOLS RECOMMENDED



**1/35 SCALE VEHICLE SERIES NO: K61015**



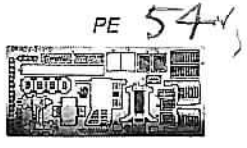
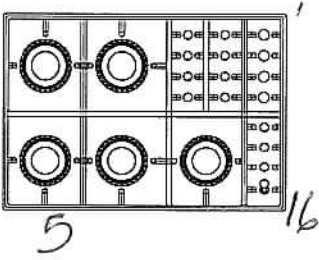
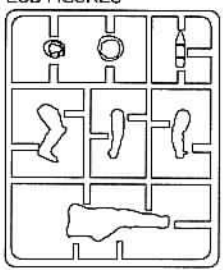
**1/35 SCALE VEHICLE SERIES NO: K61015**



CLEAR PARTS FOR EOD FIGURES



EOD FIGURES



Part Code	K61015	Item	Qty
00-096-010	EOD FIGURES		1
00-096-011	CLEAR PARTS FOR EOD FIGURES		1
00-136-006	1/35 MATV TURRENT	H	1
00-174-003	Rear door	C	1
00-174-004	Chassis	D	1
00-174-005	Internal	E	1
00-174-006	Internal - Canadian version	F	1
00-174-007	Clear parts - common version	G	1
00-174-008	Clear parts - US version	*H	1
00-174-009	Clear parts - Canadian version	I	1
00-174-012	Rubber wheels		1
00-174-013	RG-31MK5 CHASSIS (XA)	XA	1
00-174-014	RG-31MK5 Door and Parts. (XB)	XB	1
00-174-015	RG-31MK5 Hull (XC)	XC	1
00-174-016	RG-31MK5 Suspension (XD)	XD	1
00-174-017	RG-31MK5 IED CLAIM (XE)	XE	1
00-174-018	RG-31MK5 INTERIOR BACK DOOR (XF)	XF	1
00-174-019	RG-31MK5 SEAT, SIDE BOX (XG)	XG	1
00-174-020	RG-31MK5 CLEAR PARTS# 1	XH	1
00-174-021	RG-31MK5 ADD-ON CLEAR PARTS	XI	1
00-174-022	RG-31MK5 TURRENT BASE	XJ	1
00-175-007	Clear Parts	*G	1
01-174-61015	1/35 RG-31MK5 DECAL		1
03-174-61015	1/35 RG-31MK5 MANUAL		1
06-174-61015	1/35 RG-31MK5 PE SET	PE	1

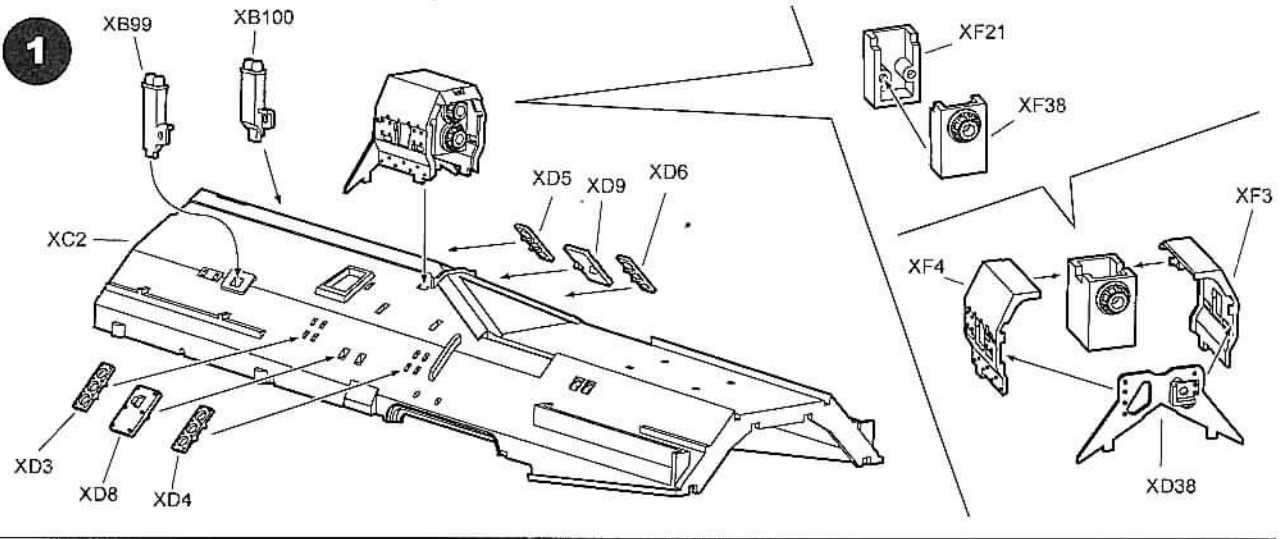
**AFTERMARKET SERVICES CARD**

When requesting replacement parts, please take or send this form to your local dealer so that the parts required can be correctly identified. Please note that specifications and availability are subject to change without notice.

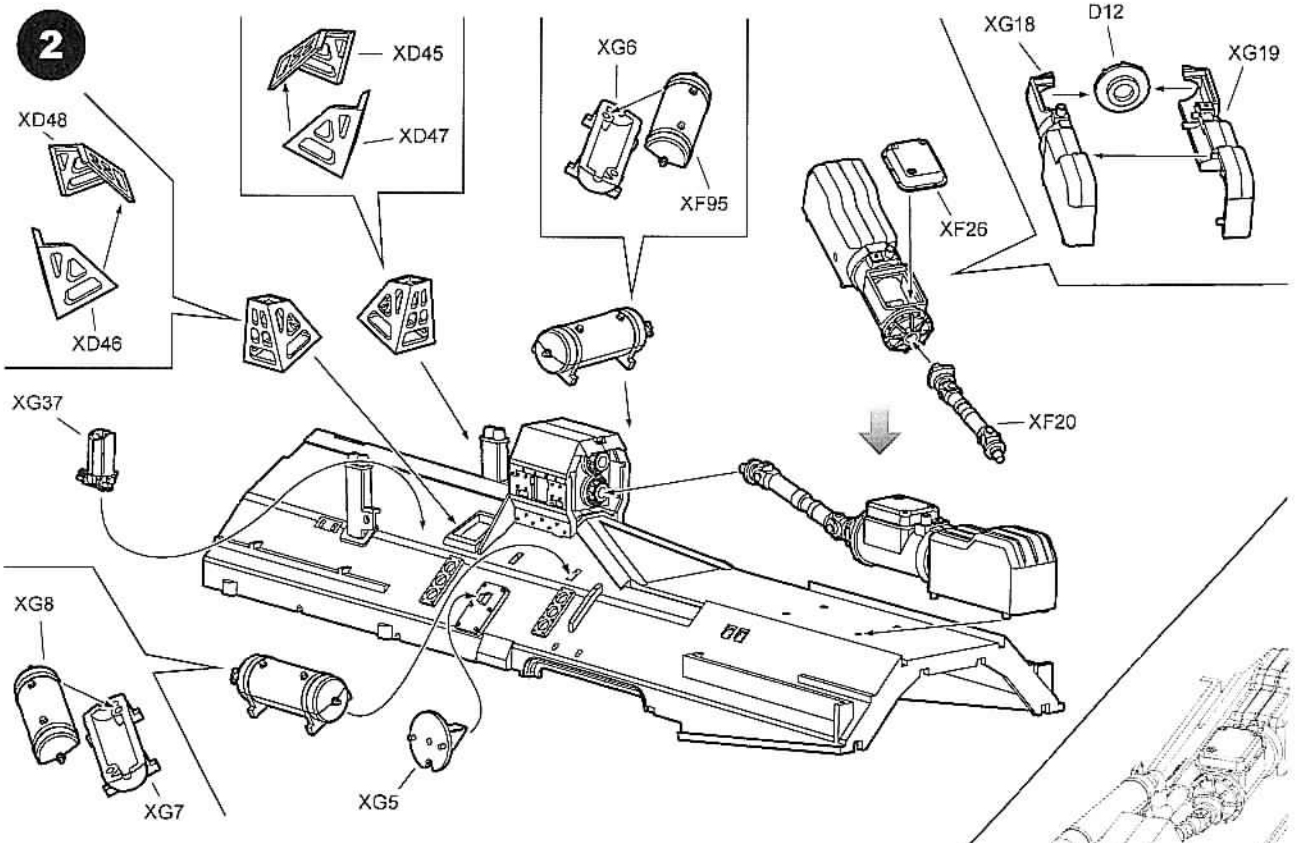
or visit <http://www.kineticmodel.com> for latest information.

For more information, please contact [services@kineticmodel.com](mailto:services@kineticmodel.com)

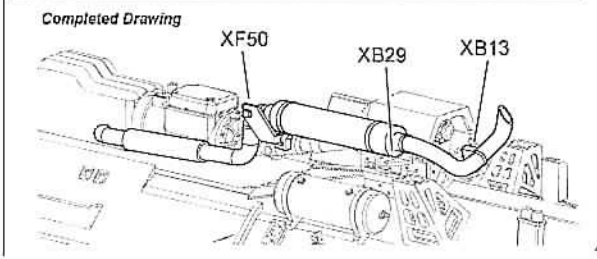
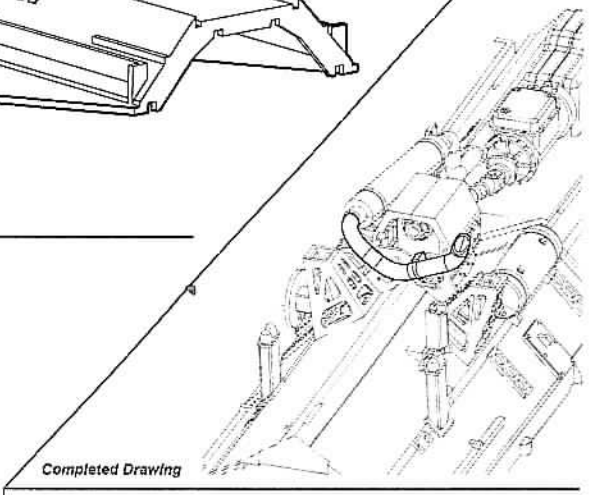
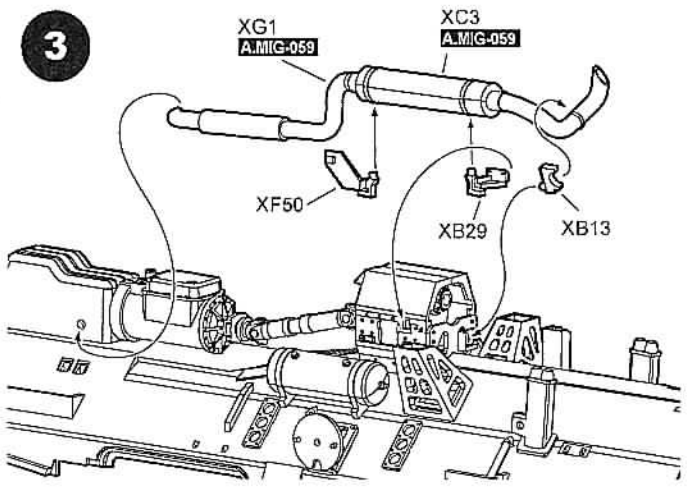
1



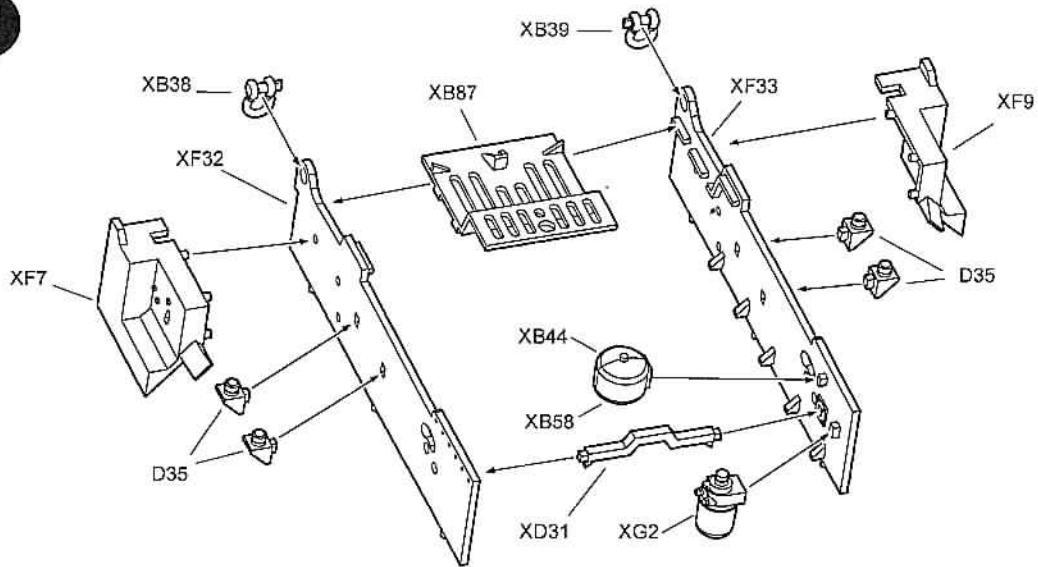
2



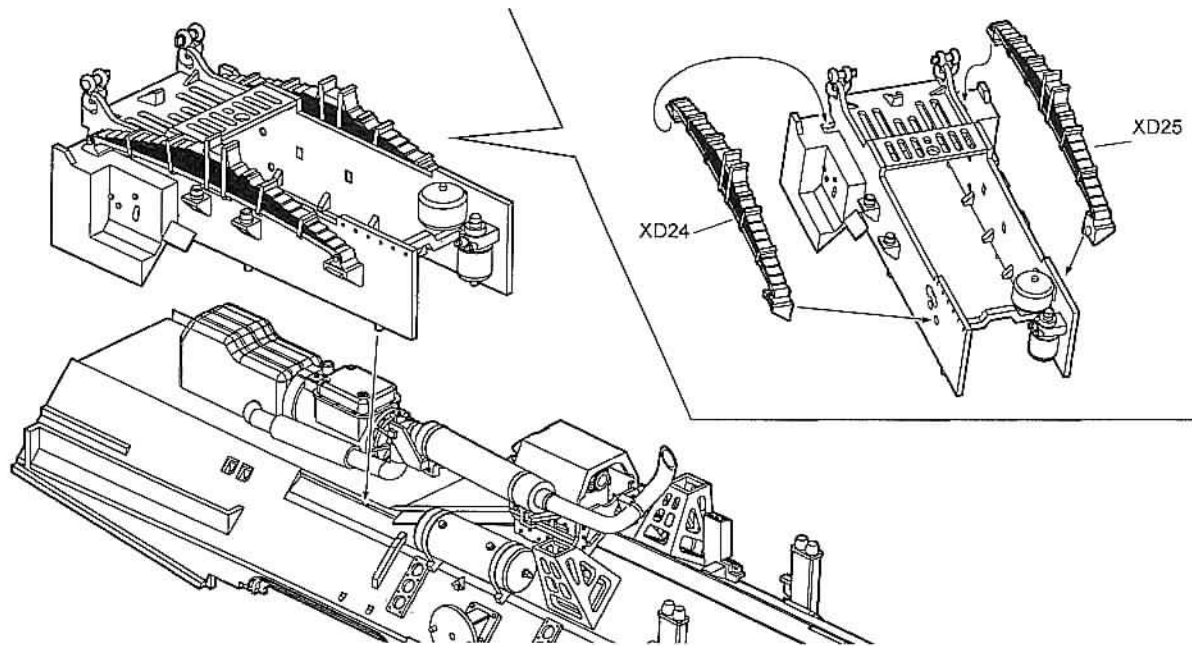
3



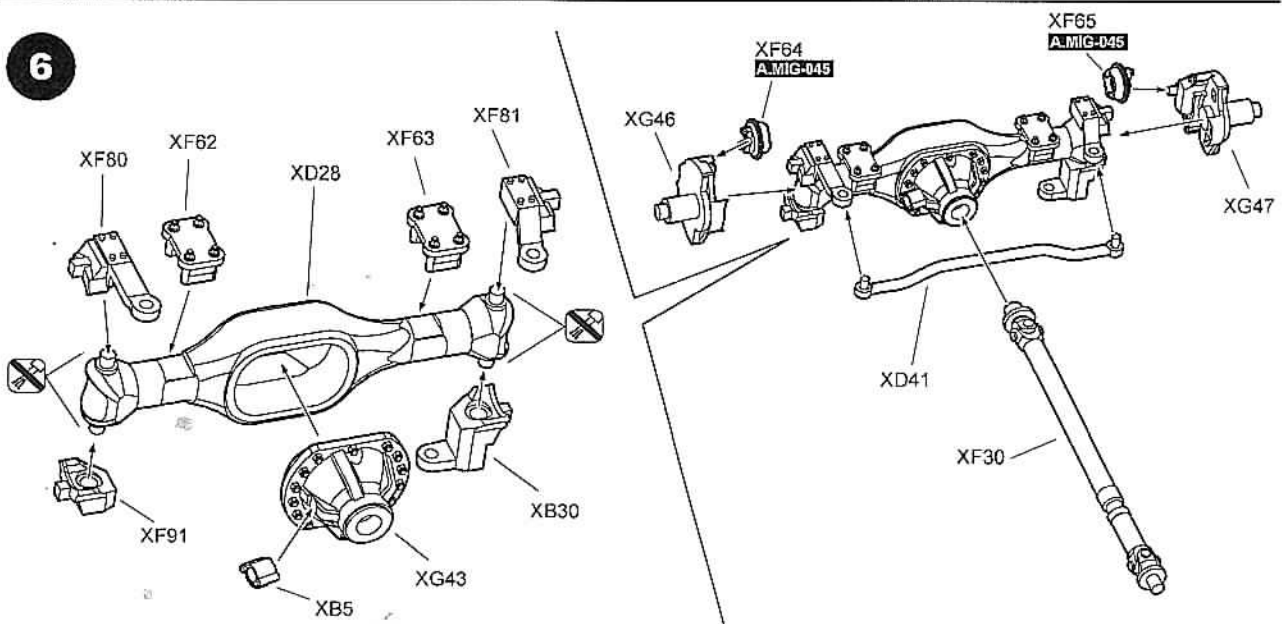
4



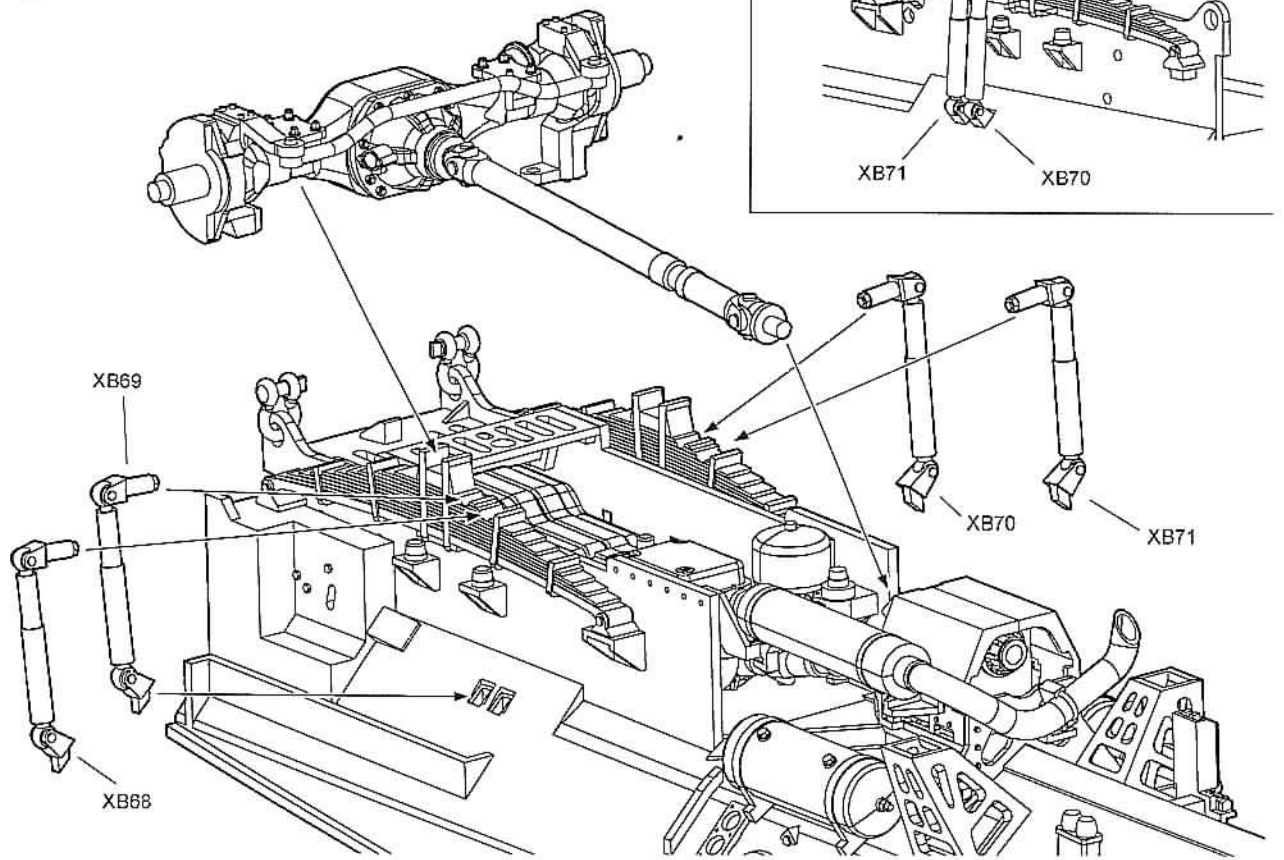
5



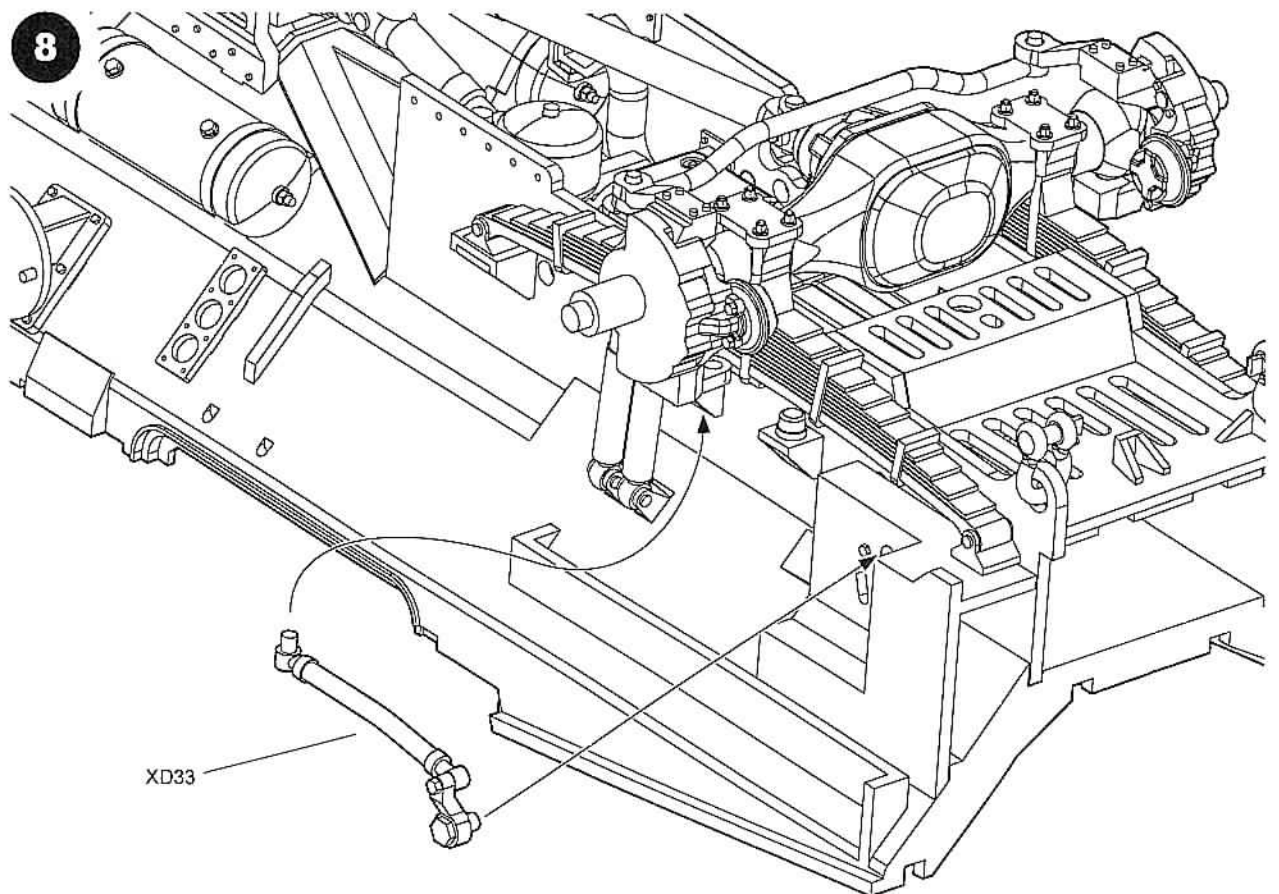
6



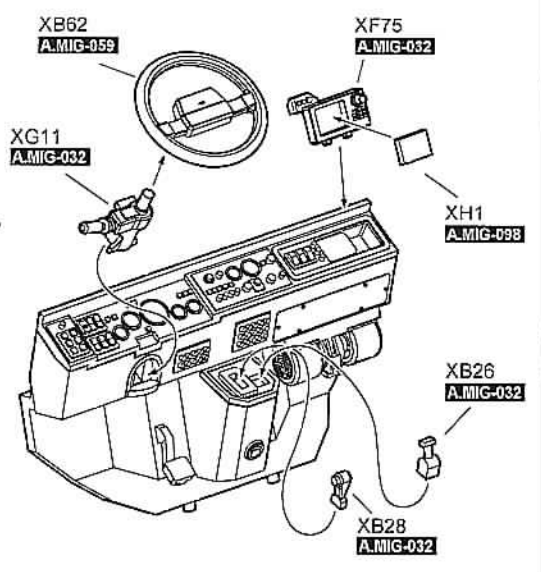
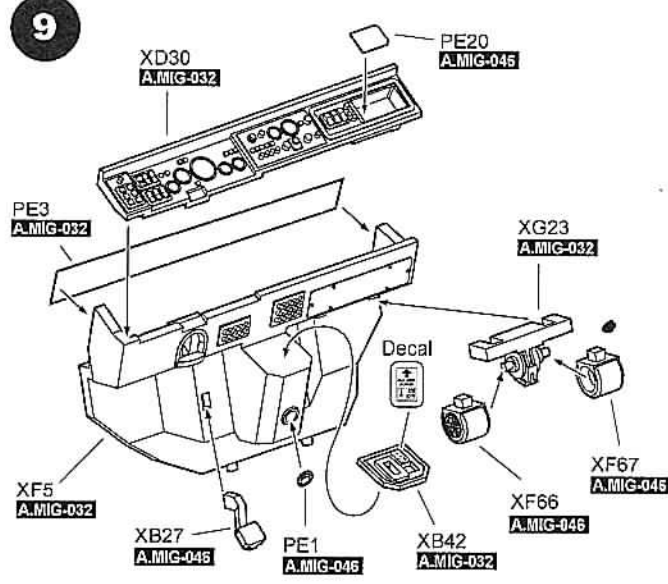
7



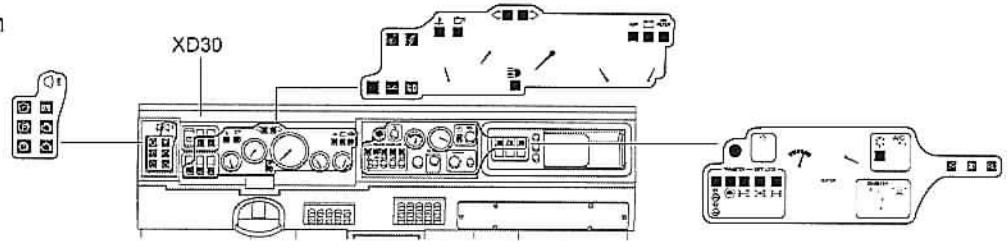
8



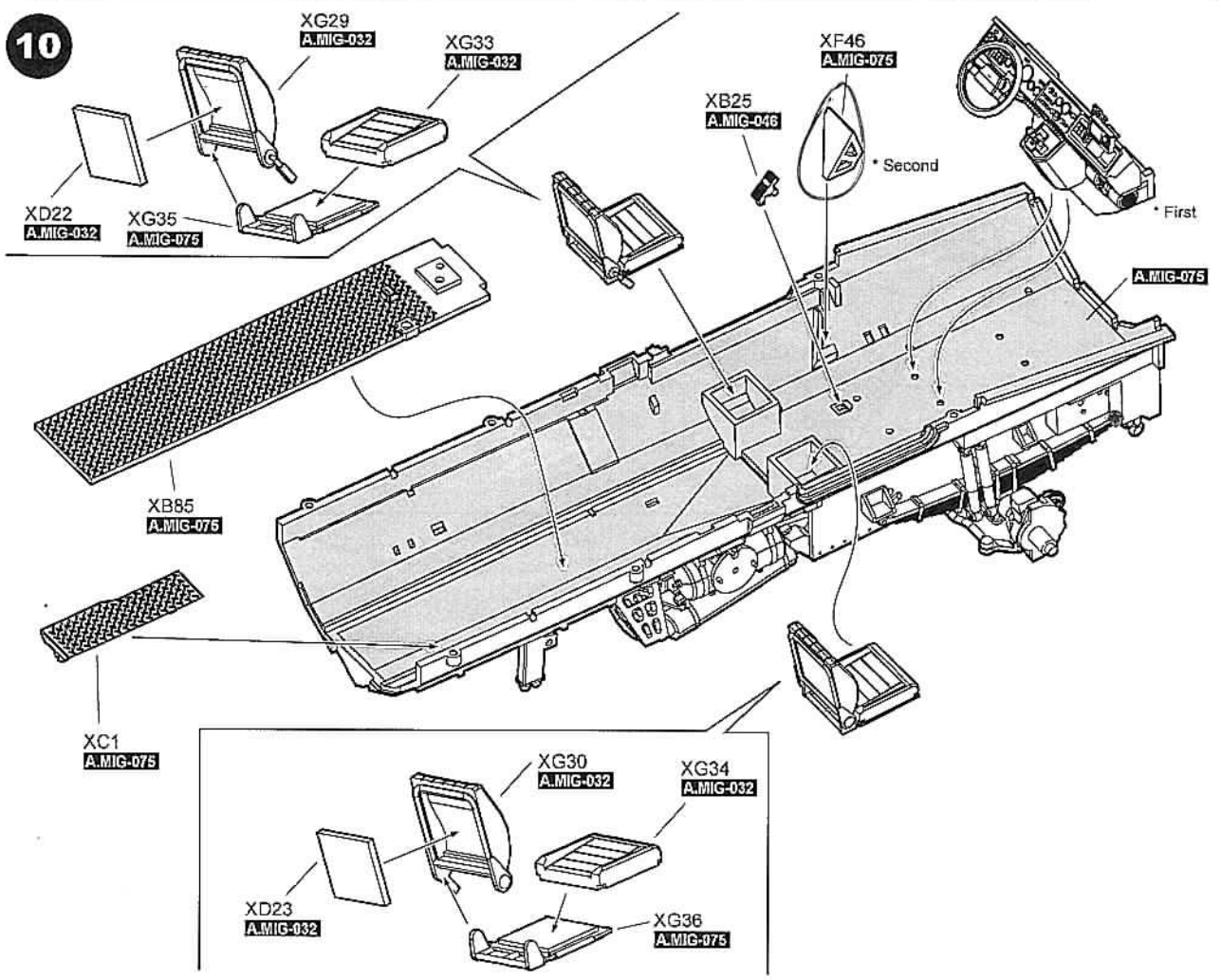
9

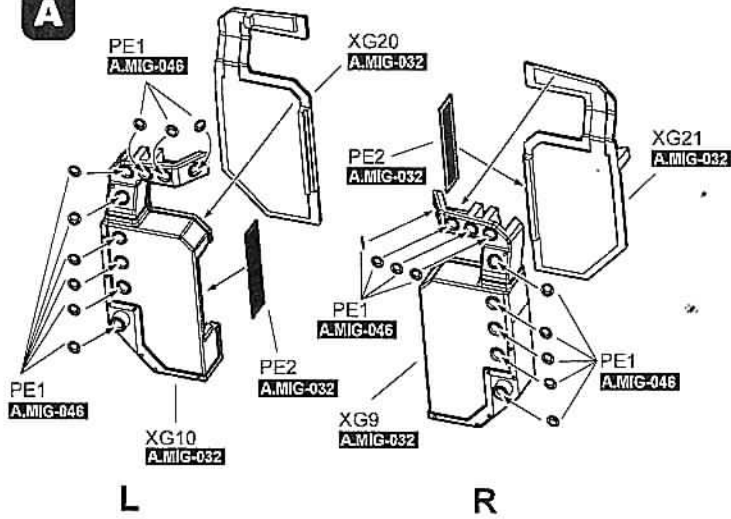
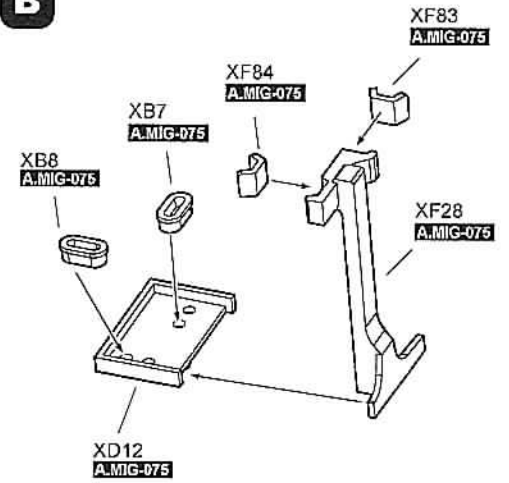
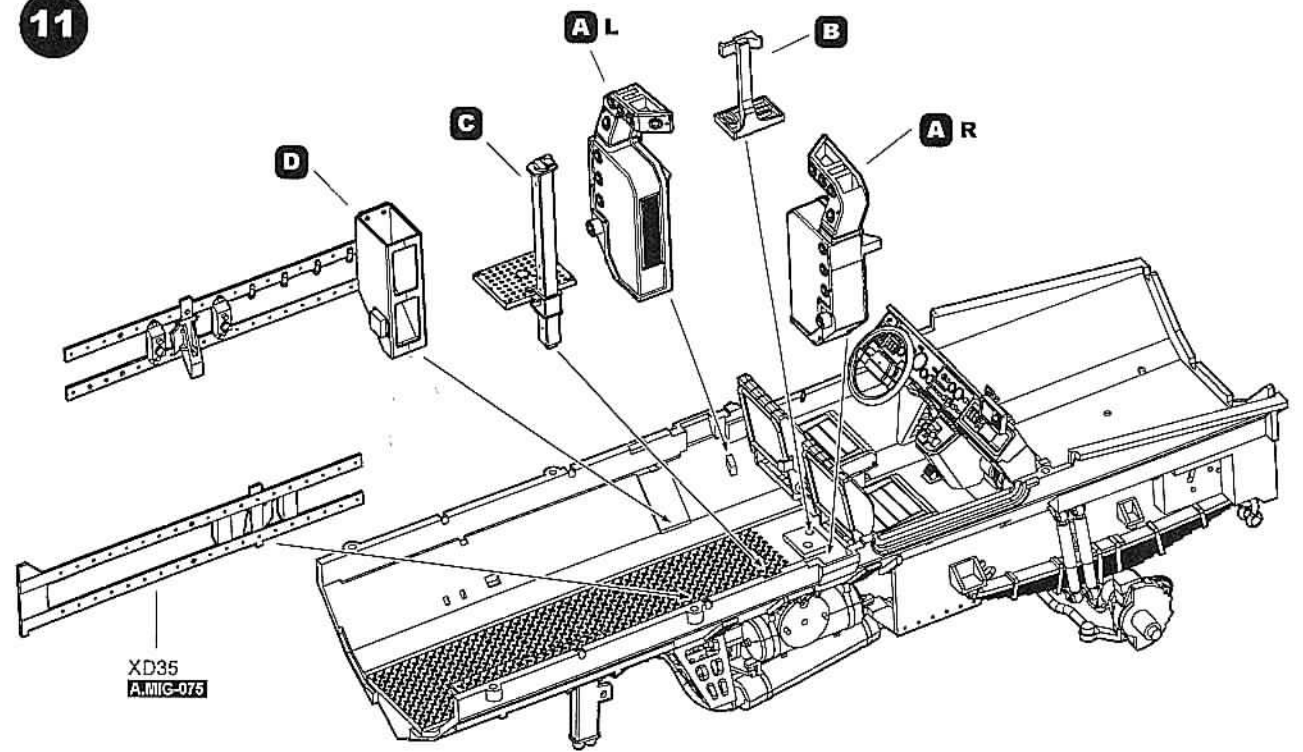
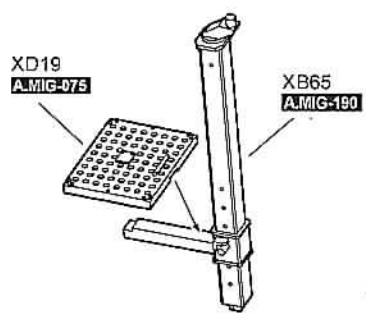
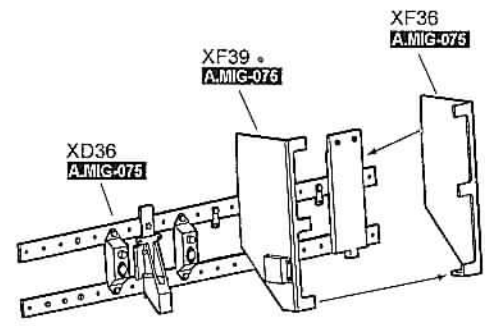


Decal Instruction



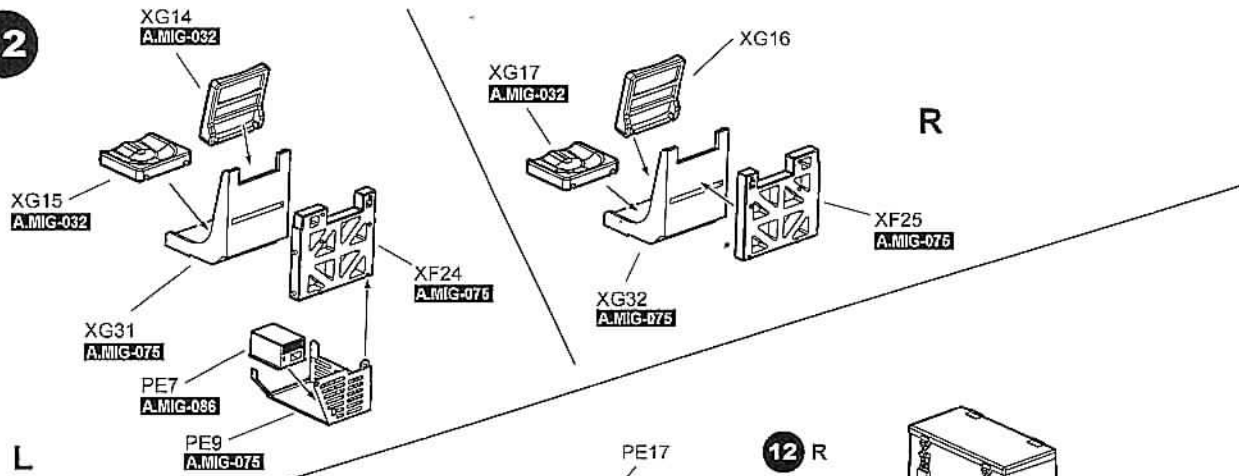
10



**A****B****11****C****D**

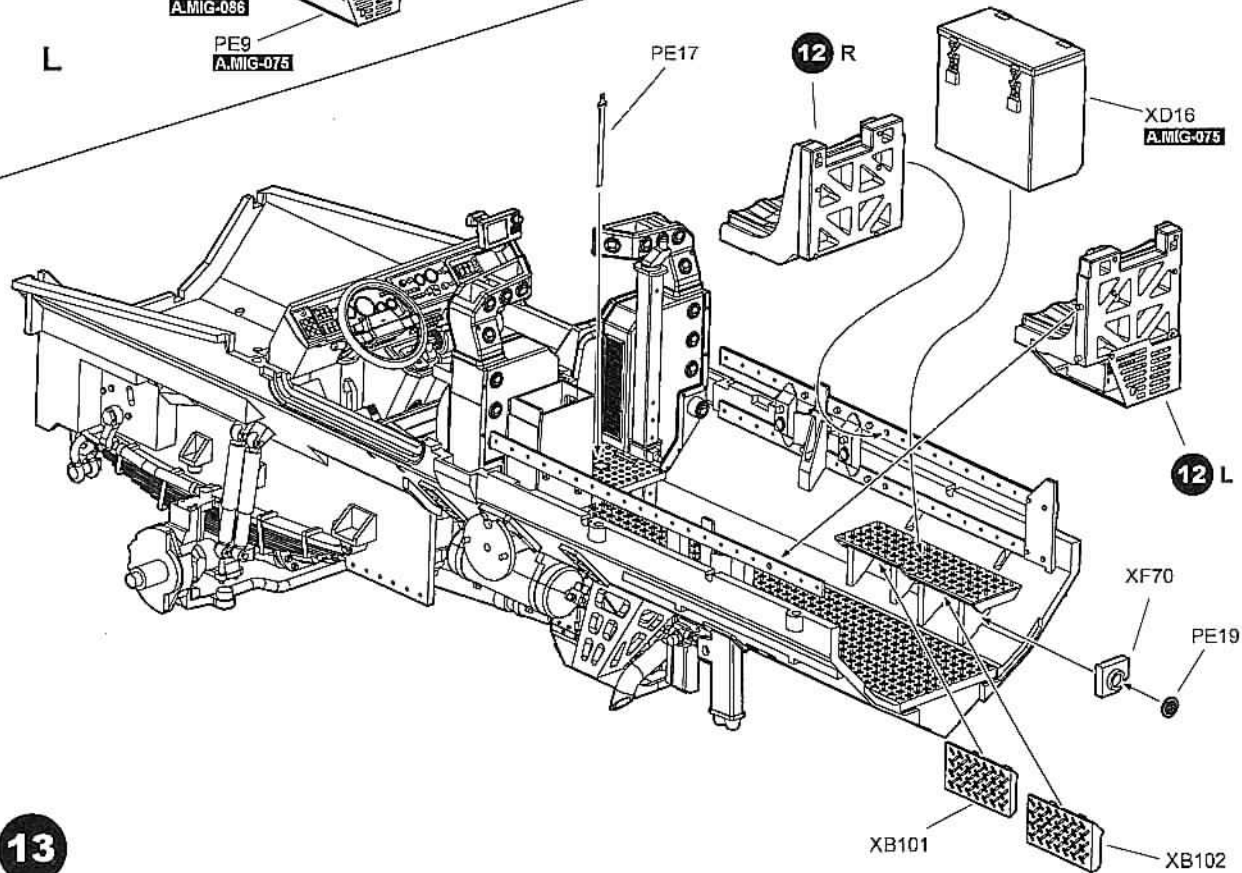


12



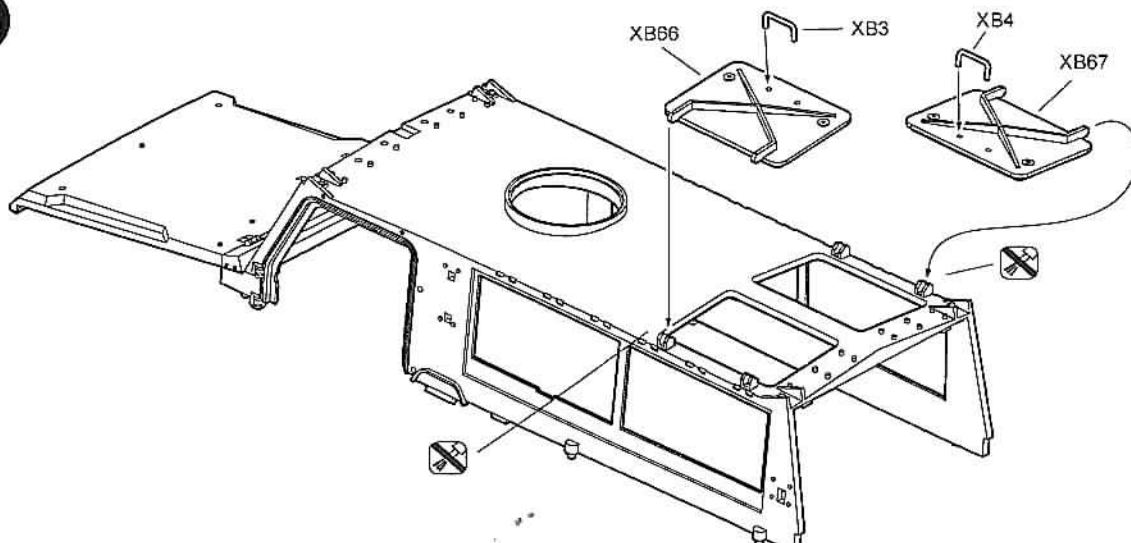
L

R

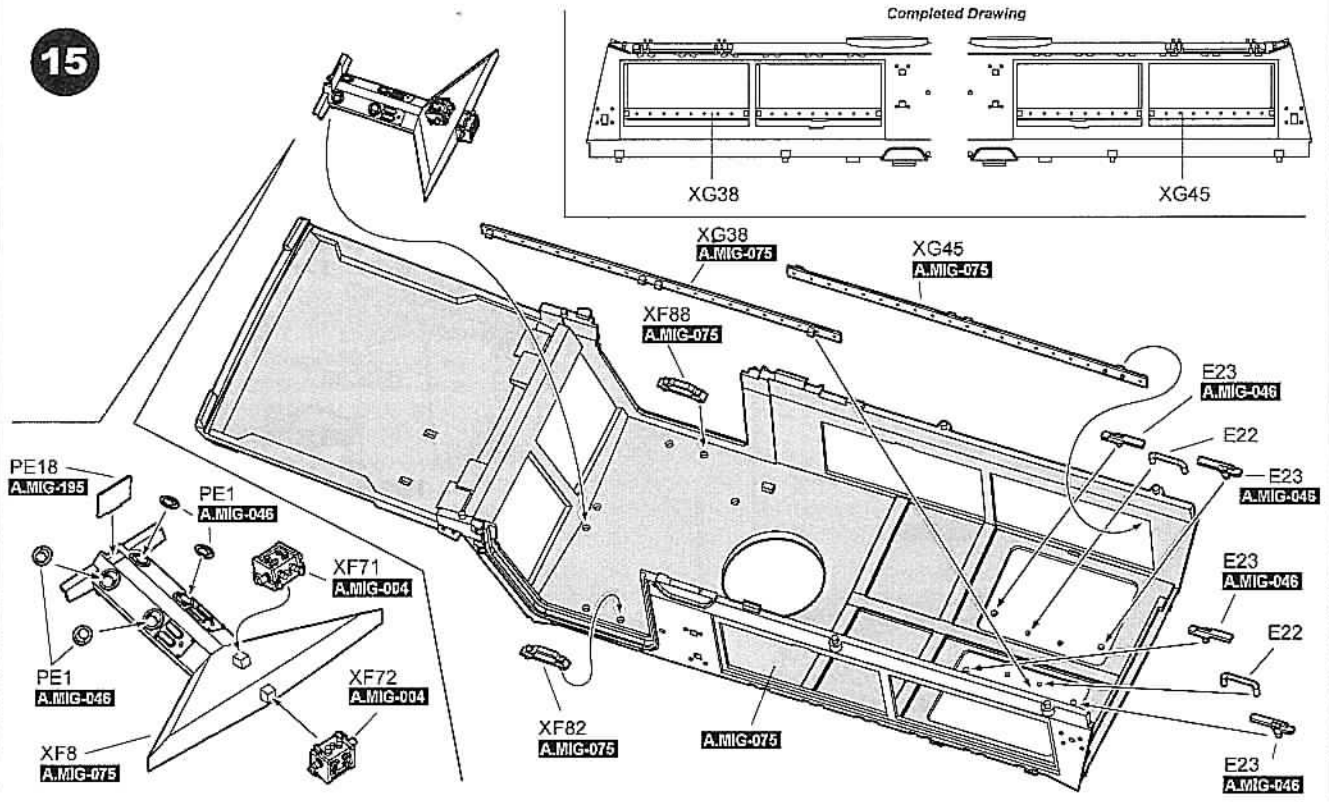


13

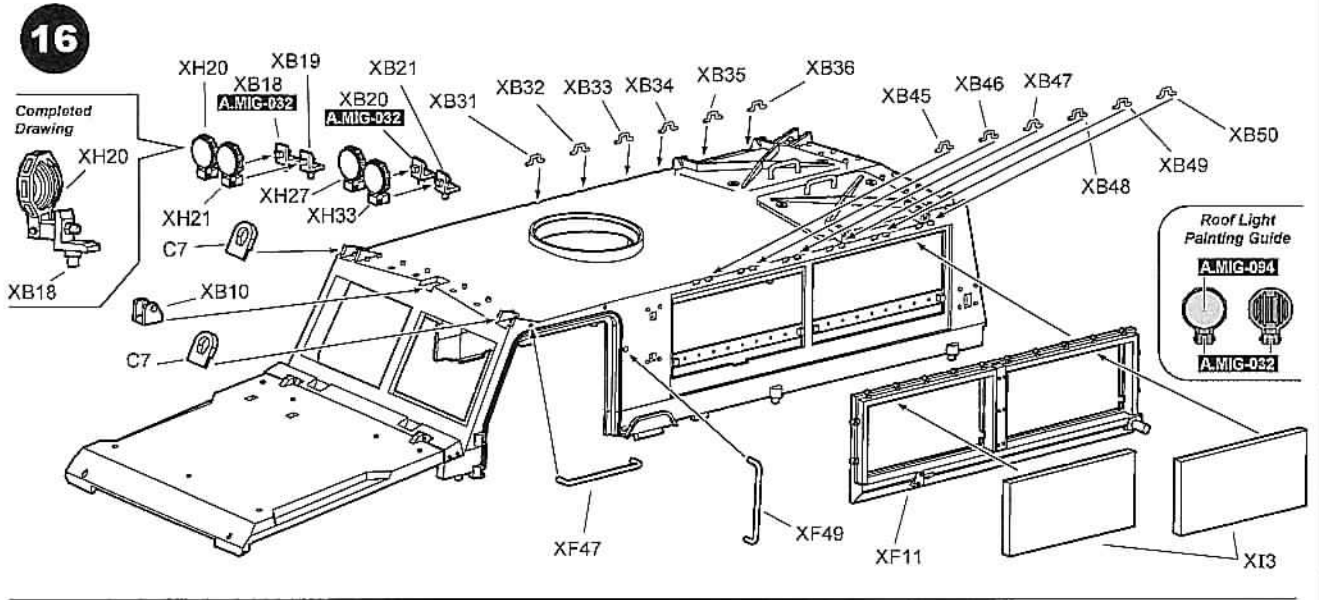
14



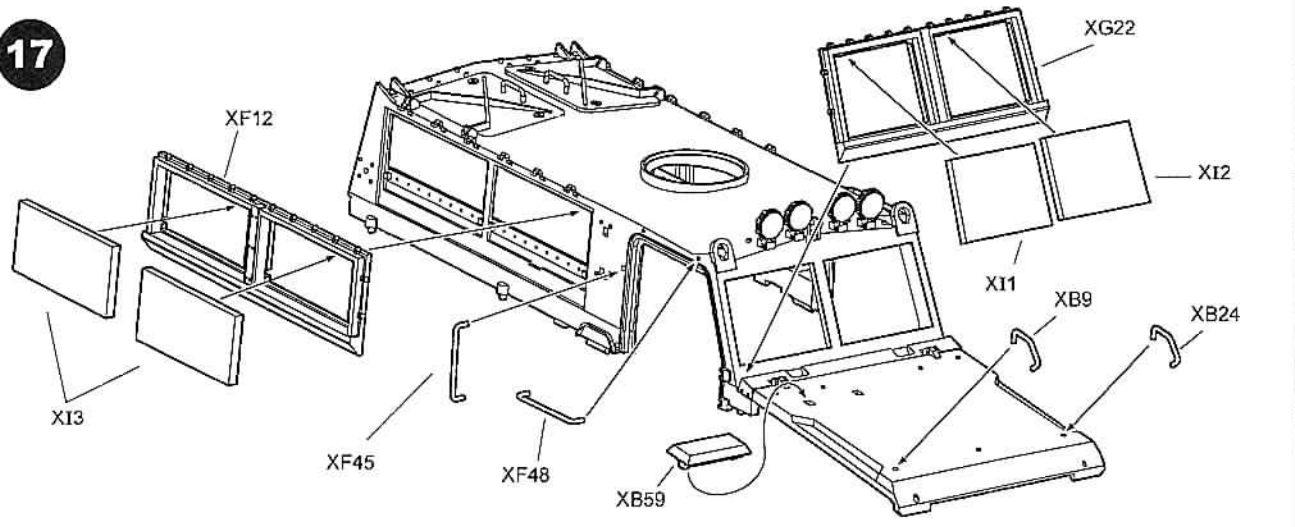
15



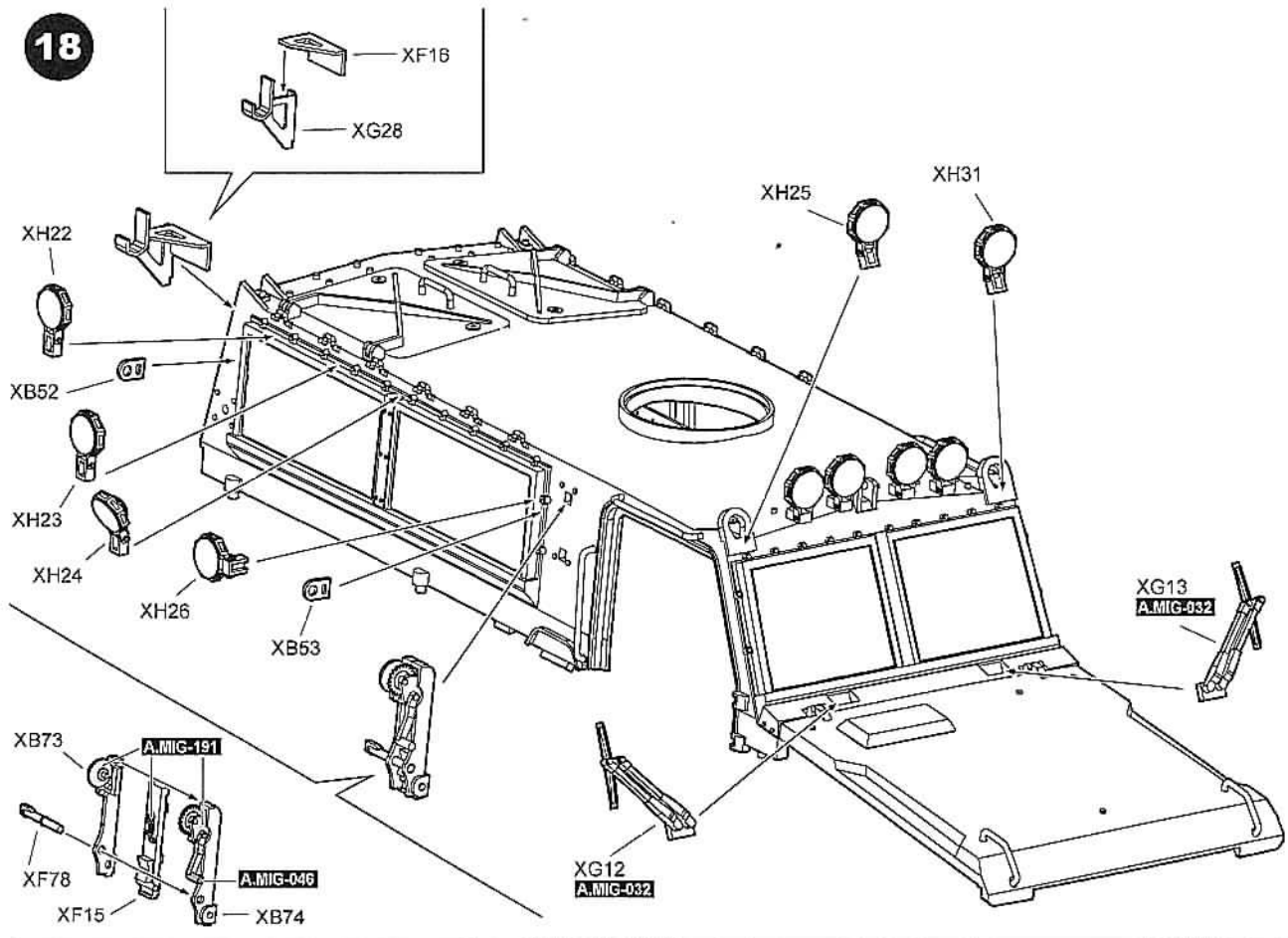
16



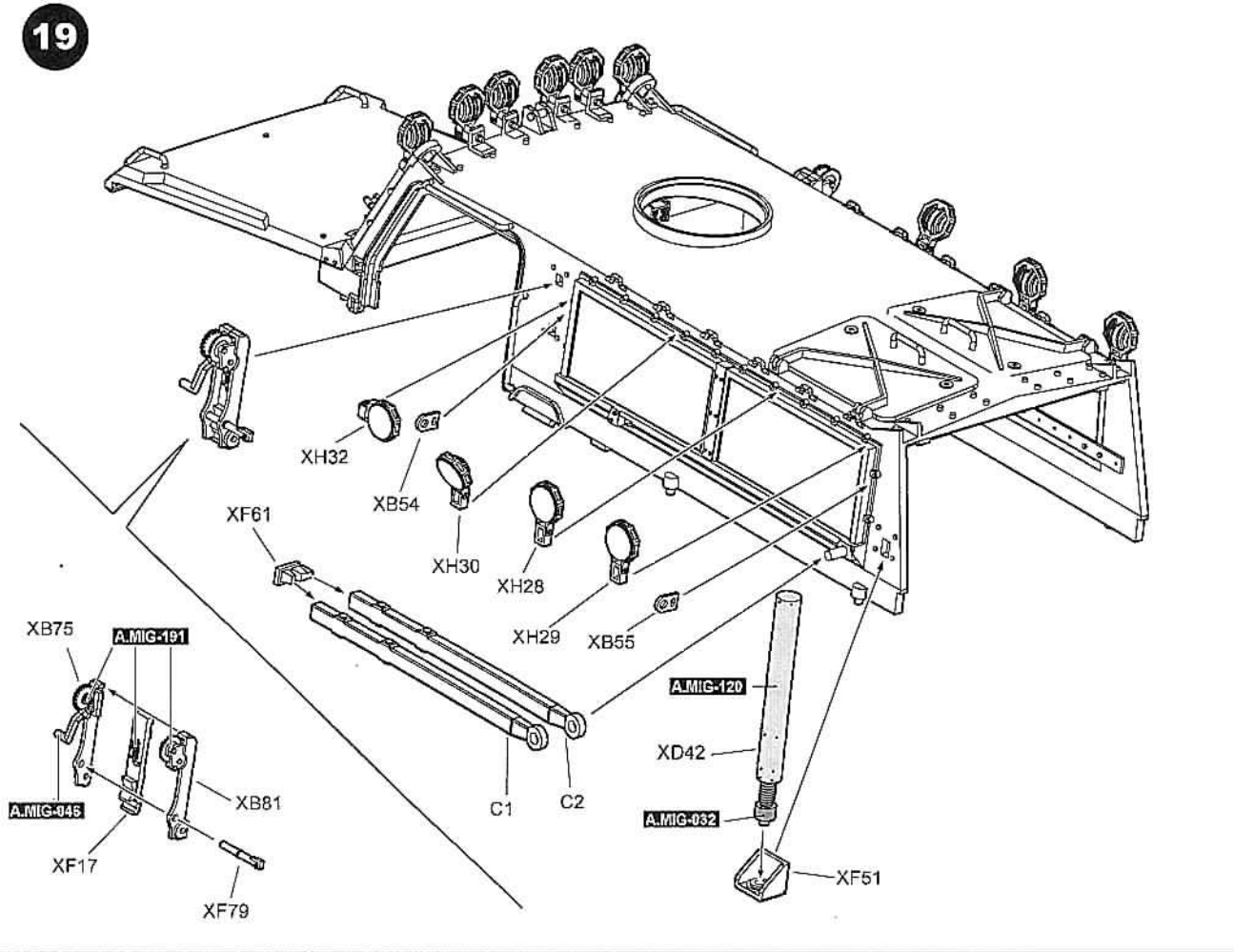
17



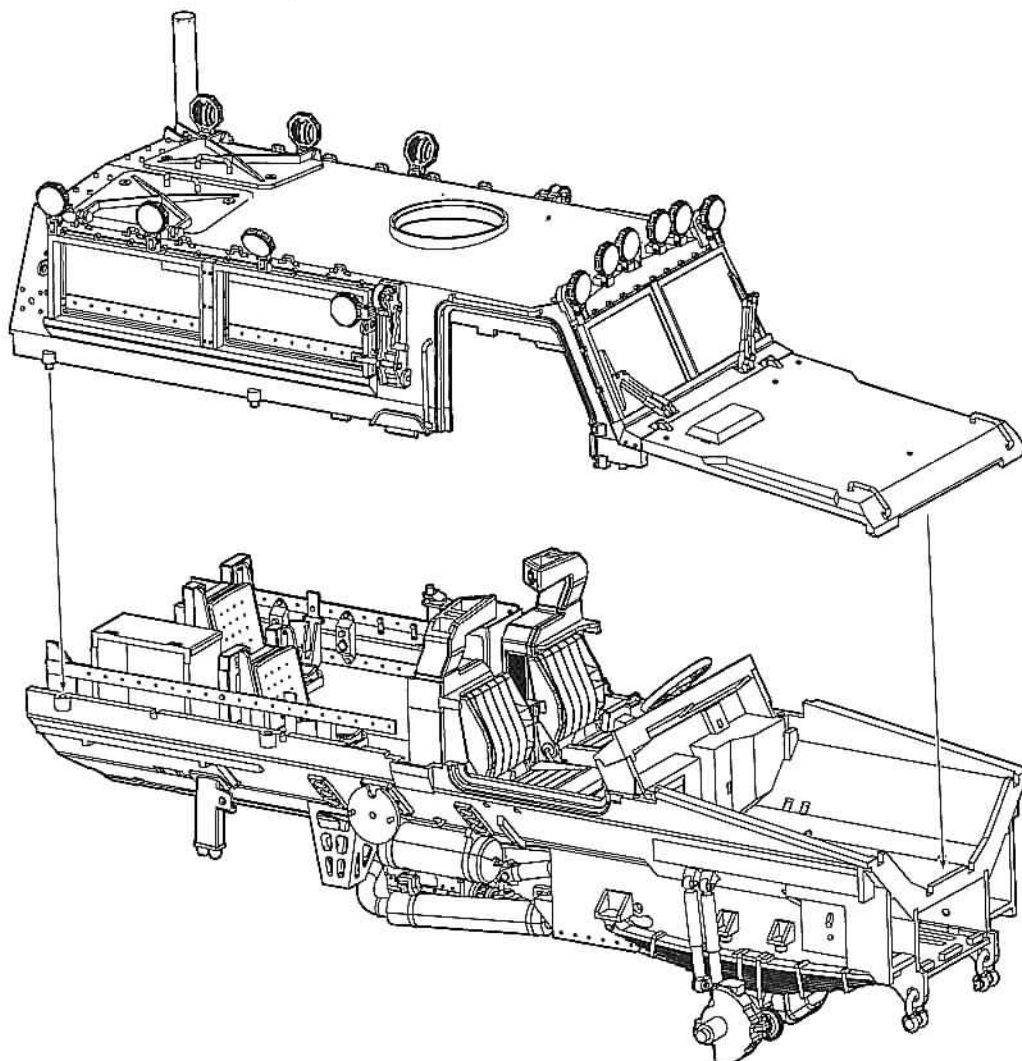
18



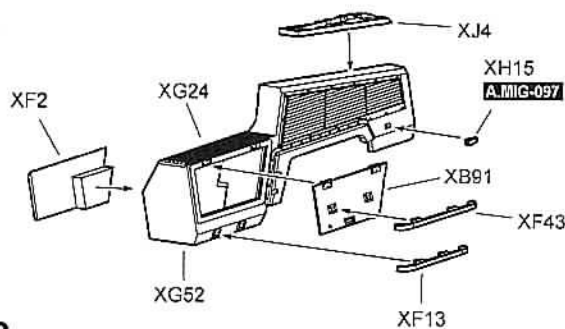
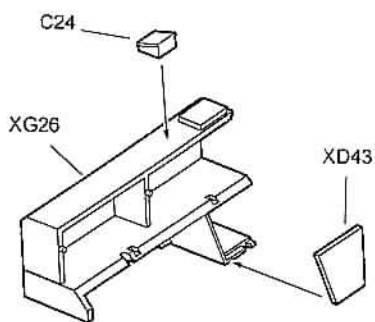
19



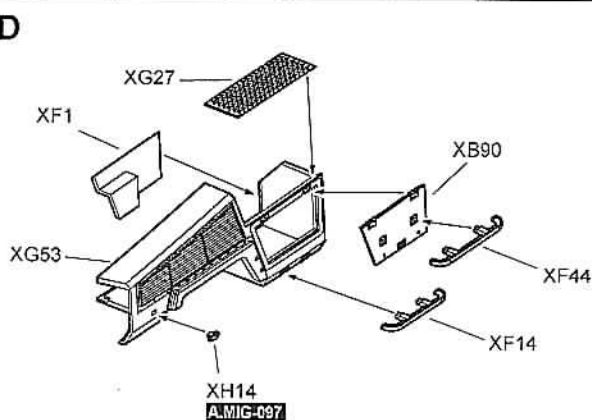
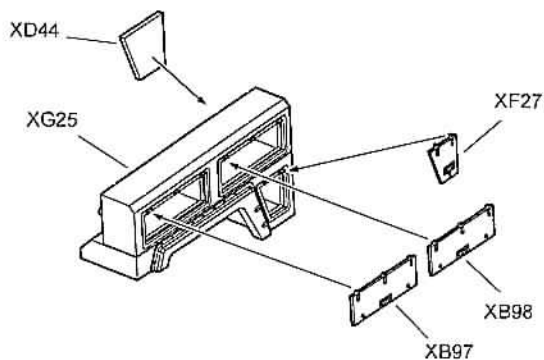
20



21

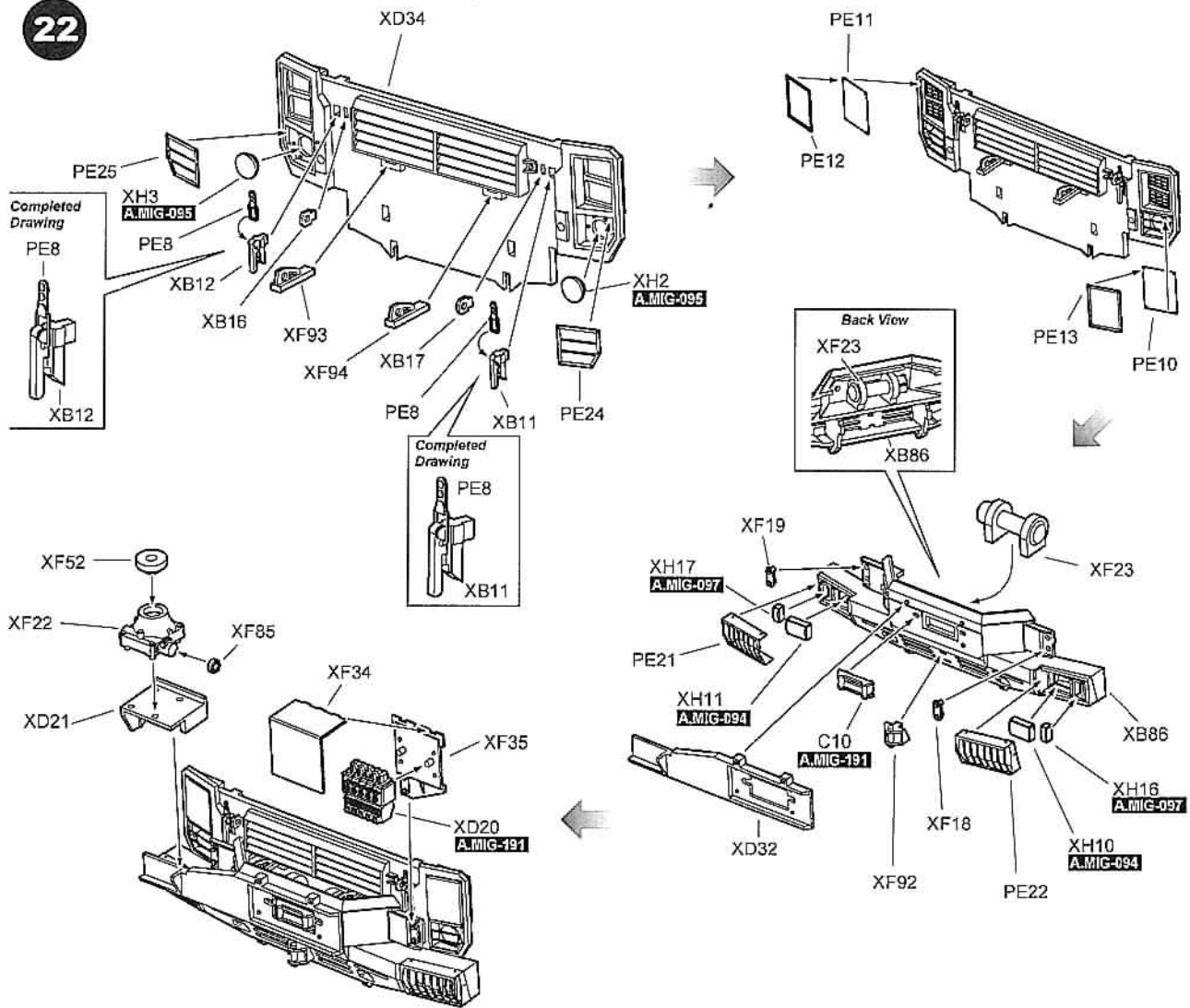


A B

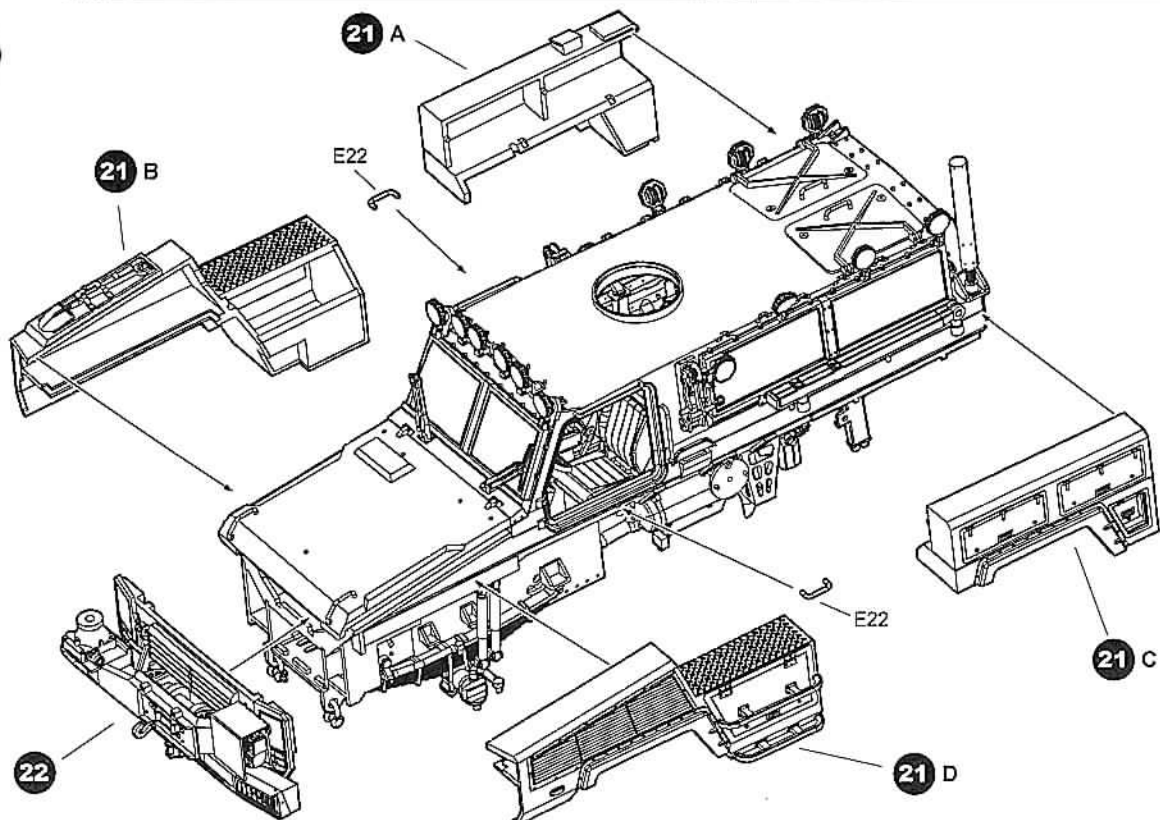


C D

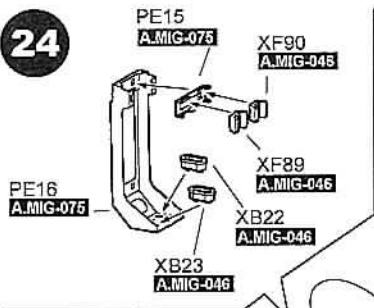
22



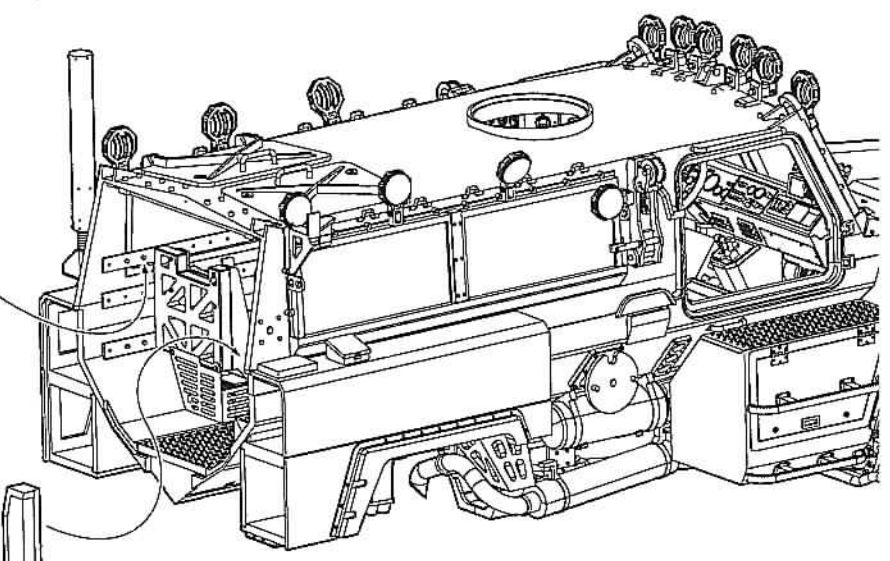
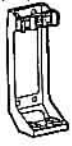
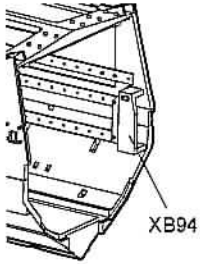
23



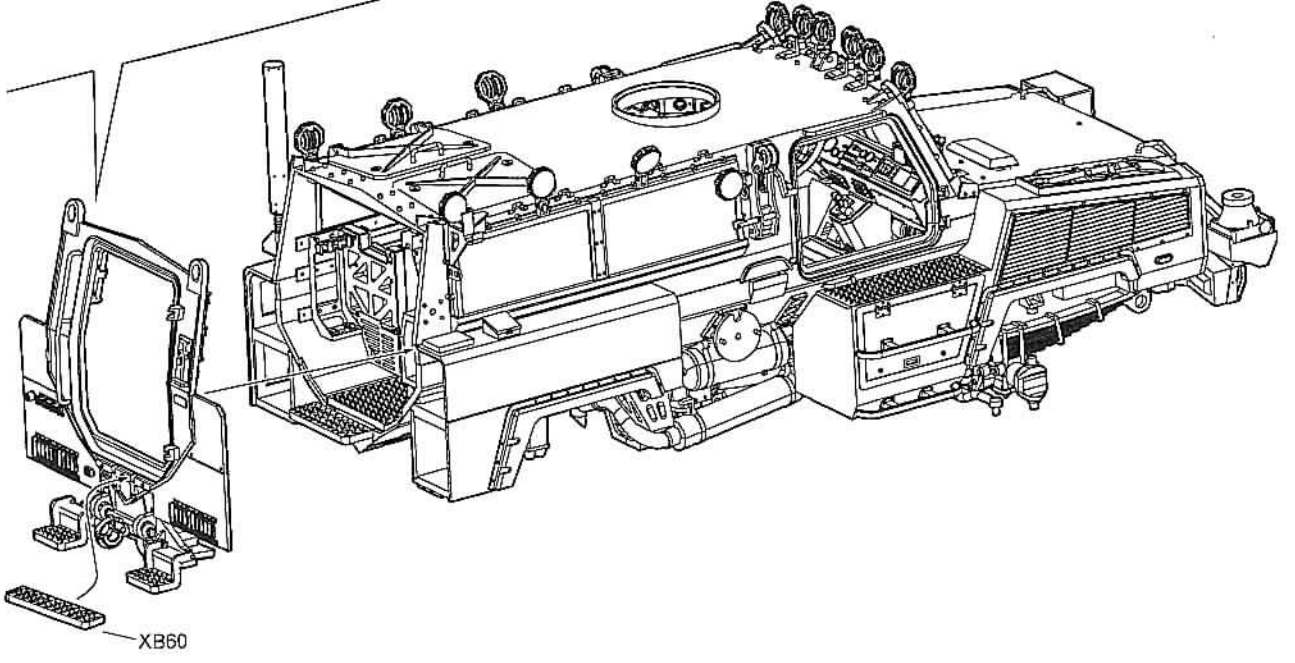
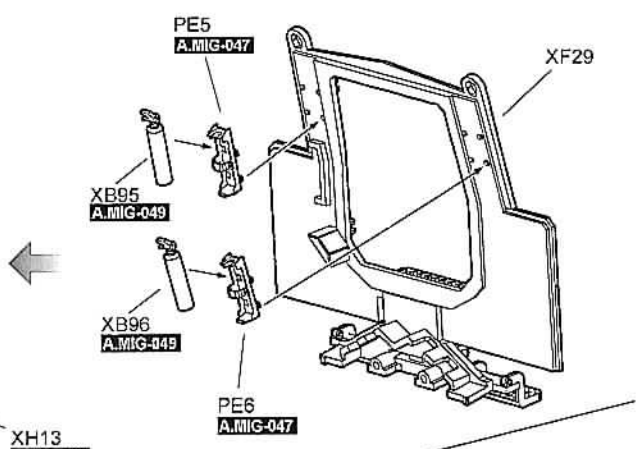
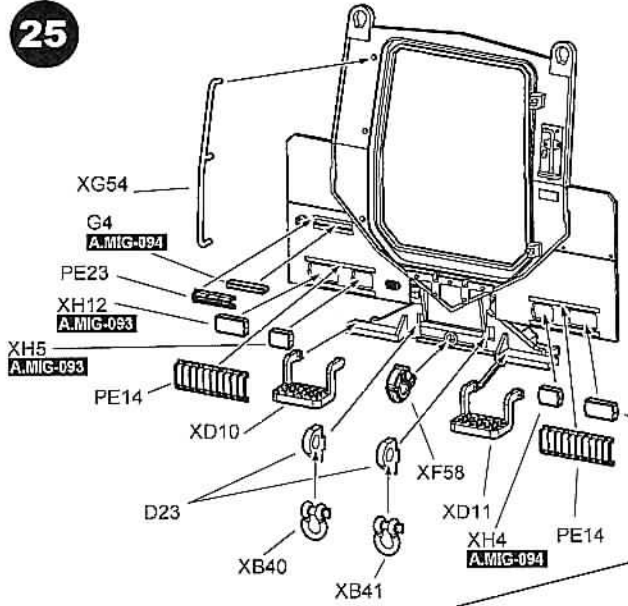
24

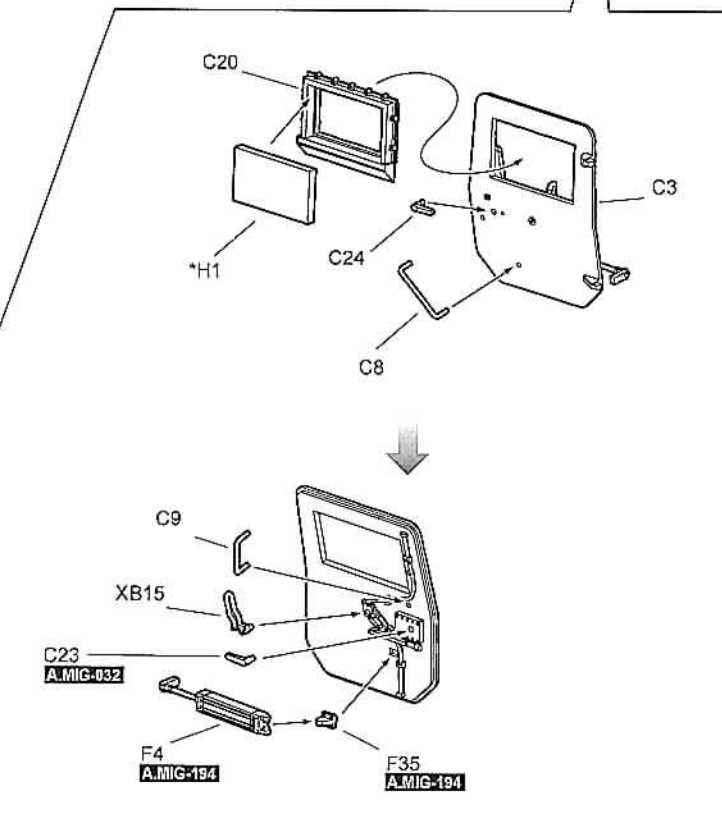
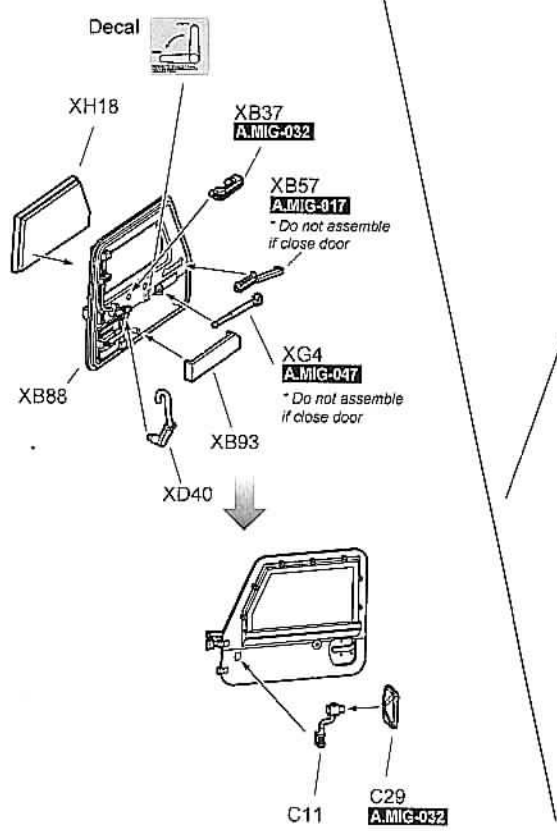
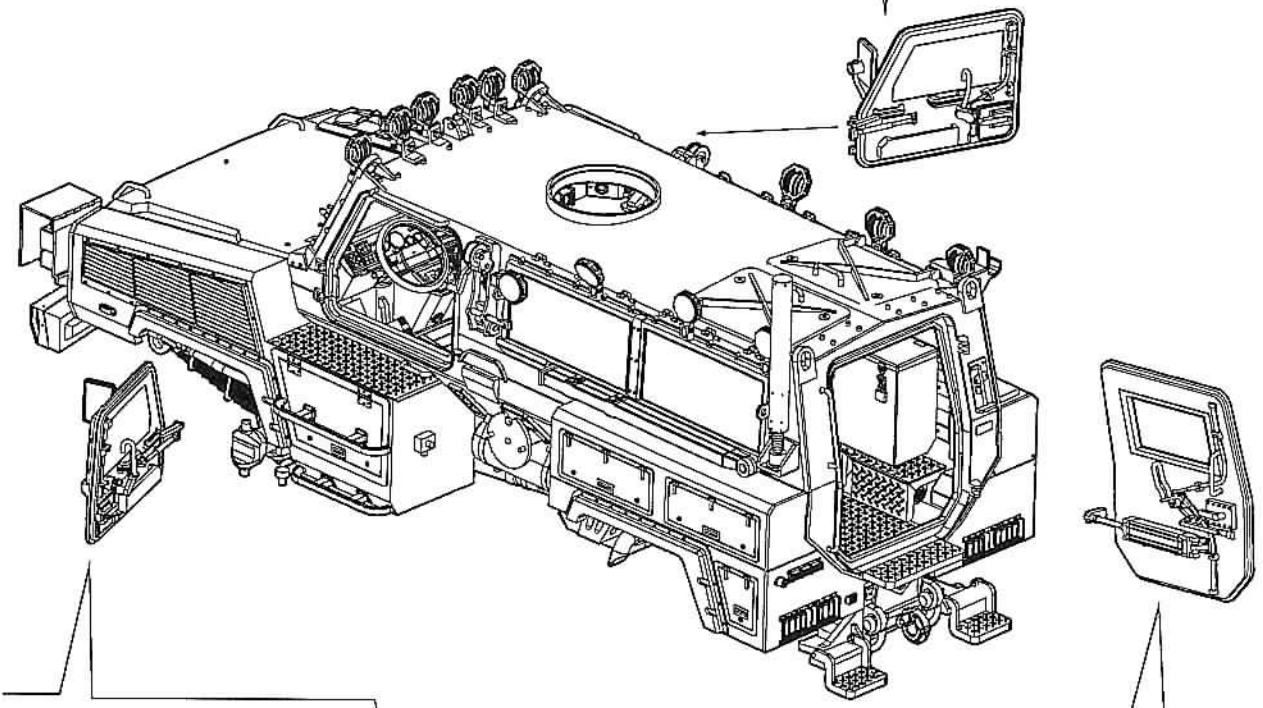
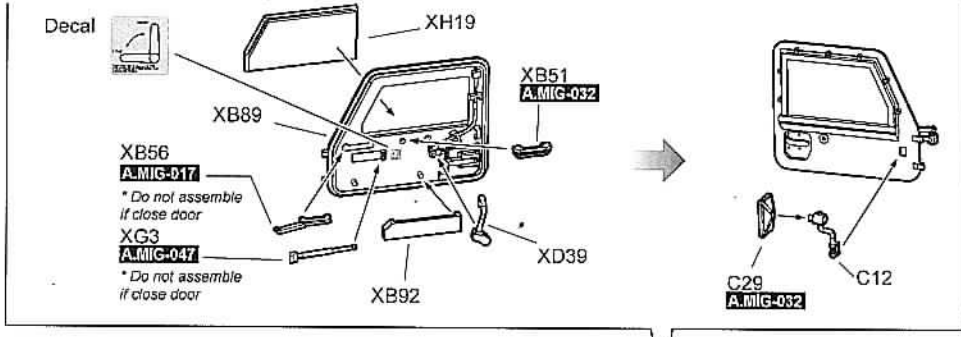


Completed Drawing

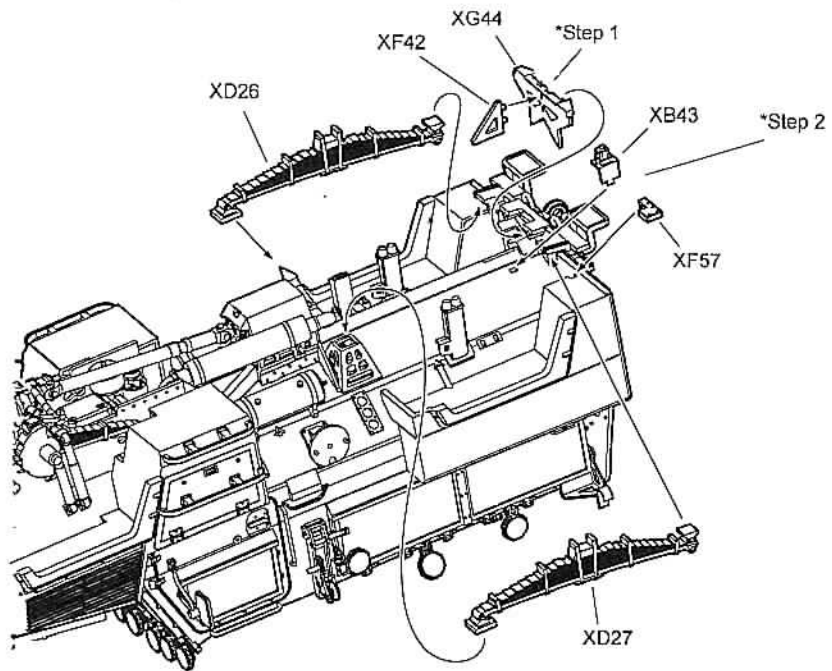


25

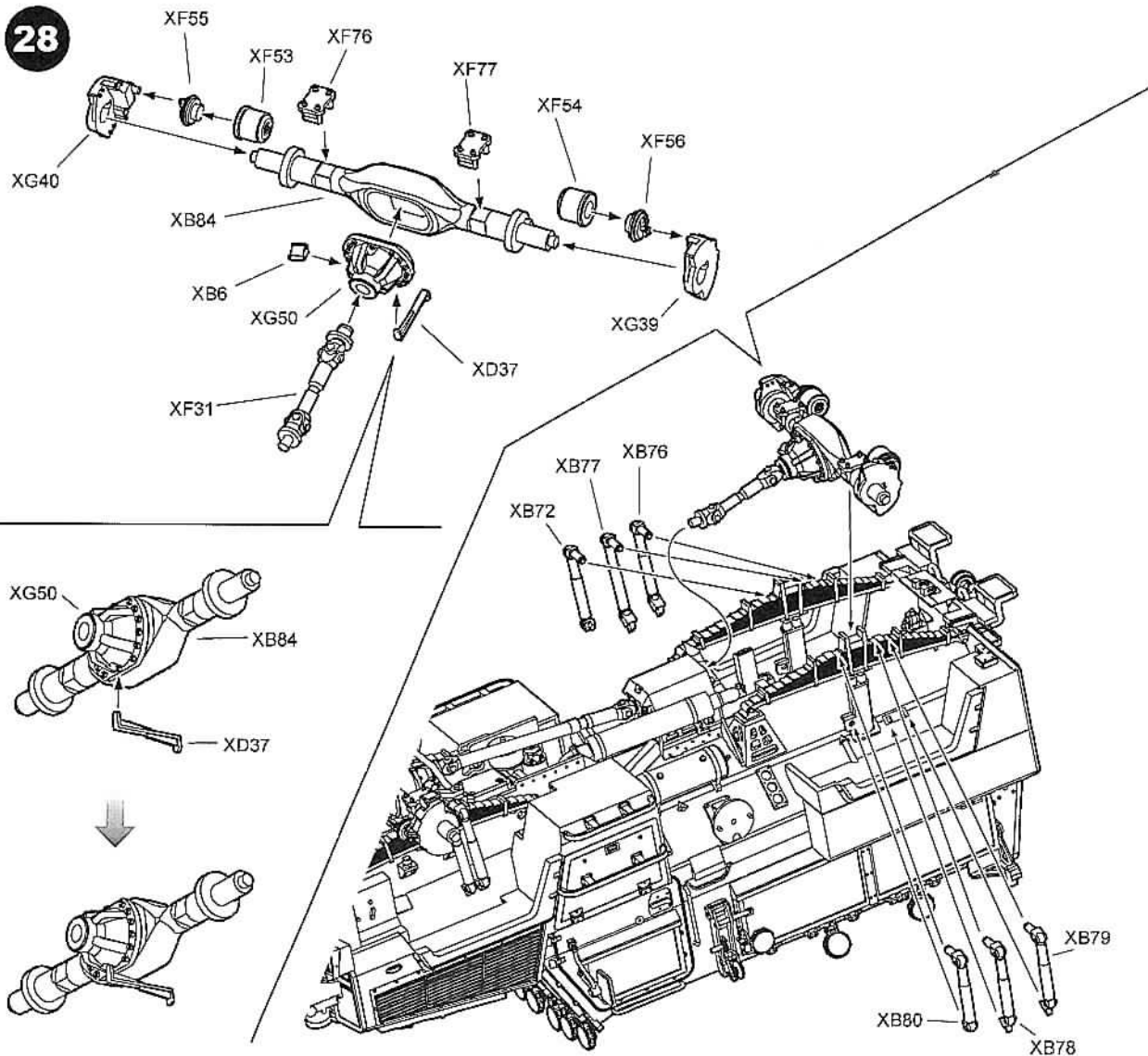




27

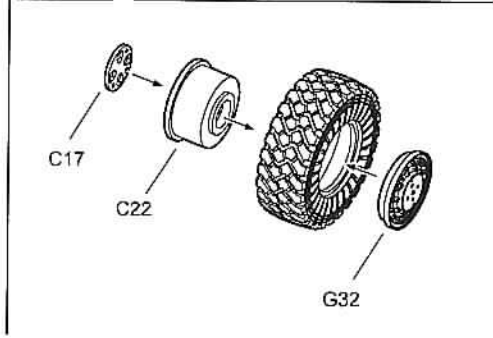
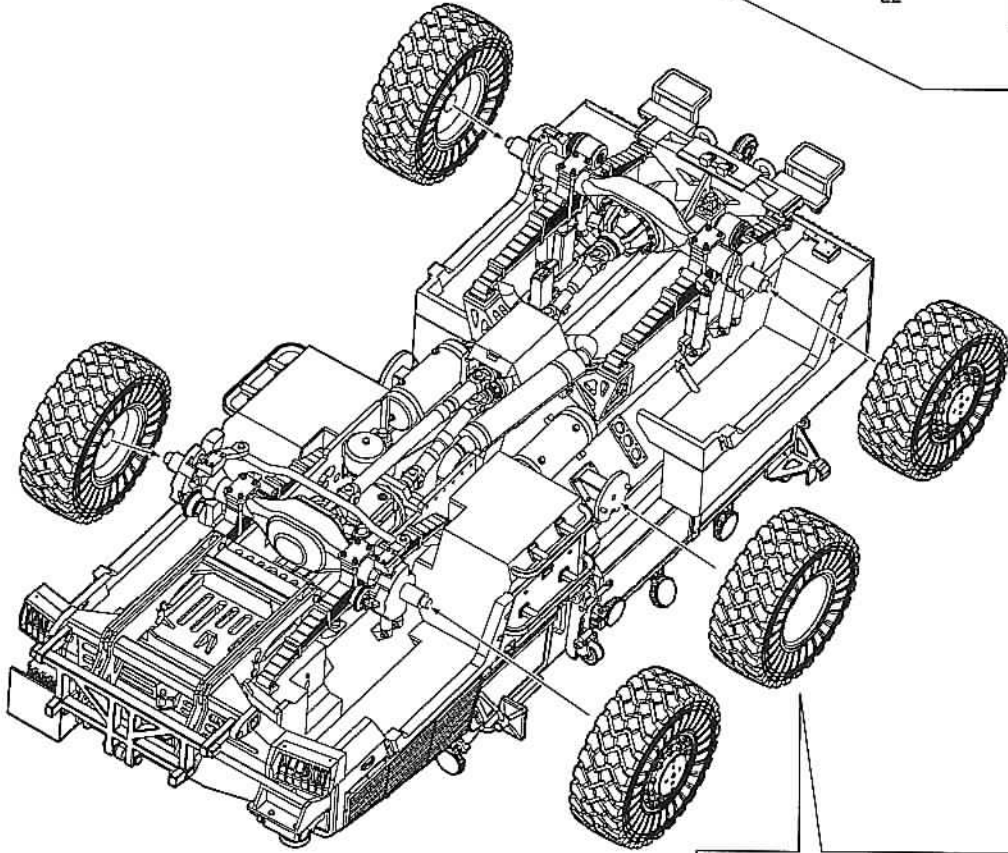
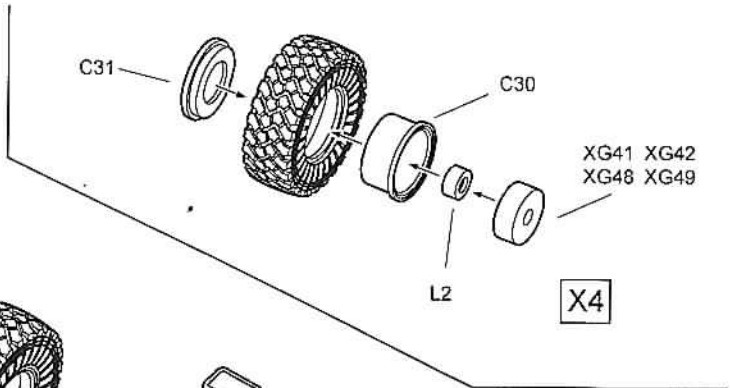


28

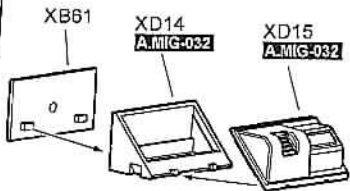
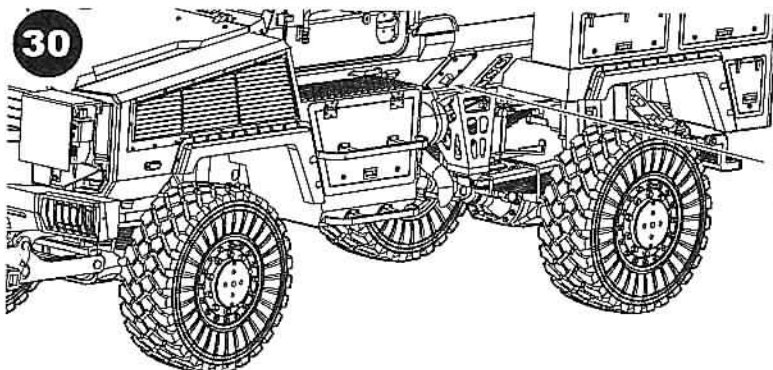




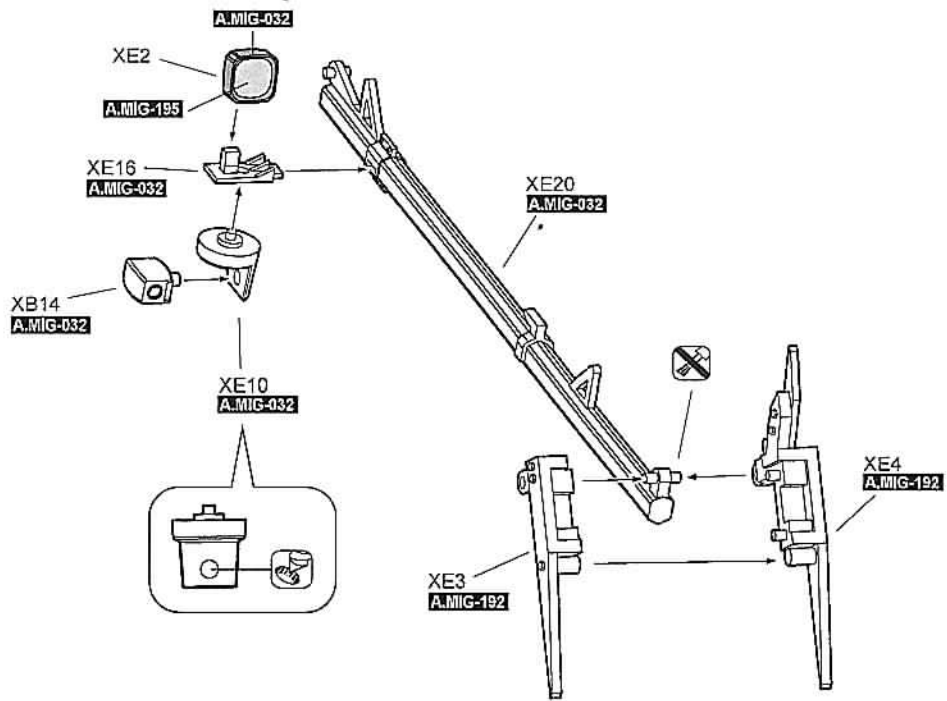
29



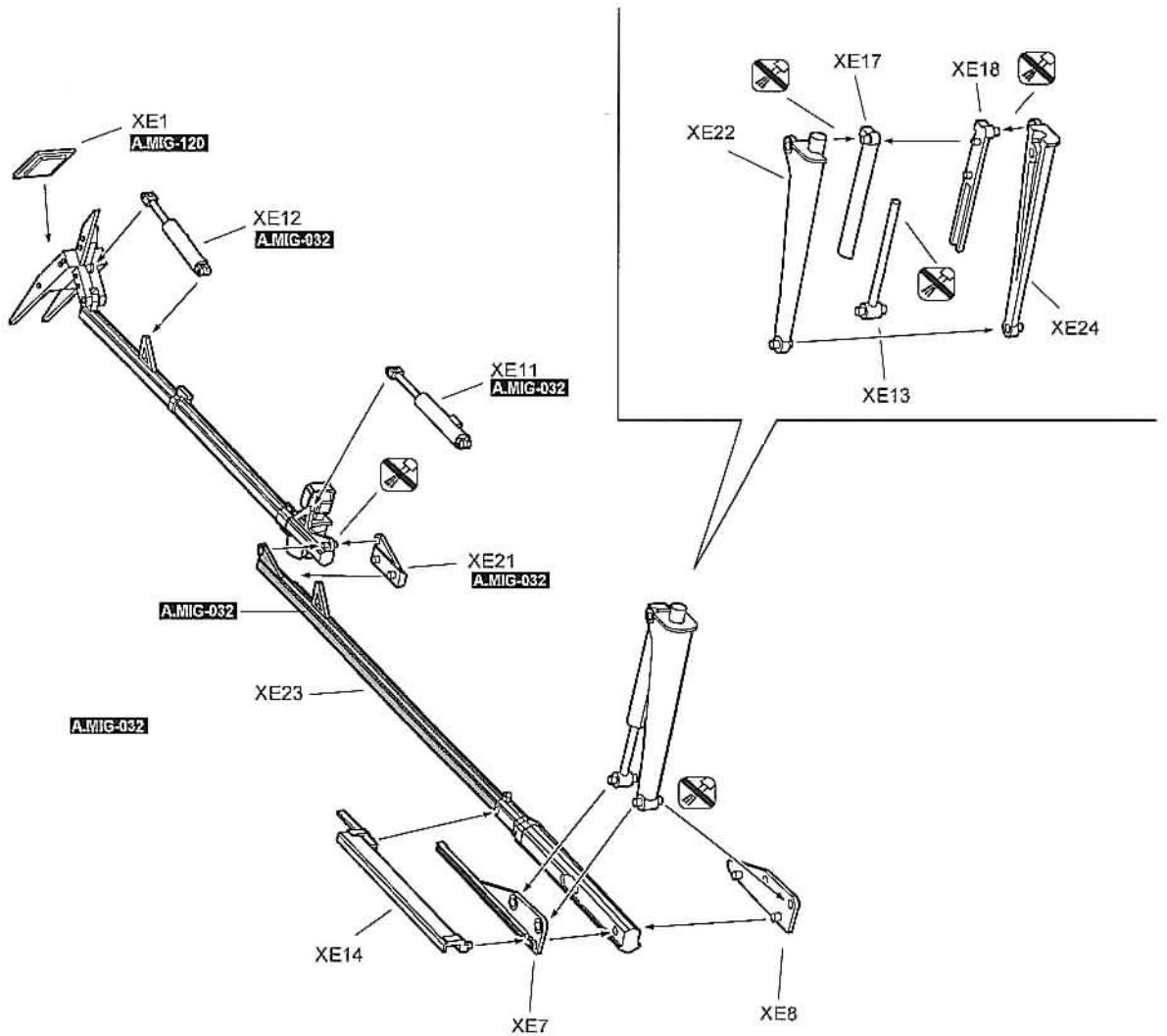
30



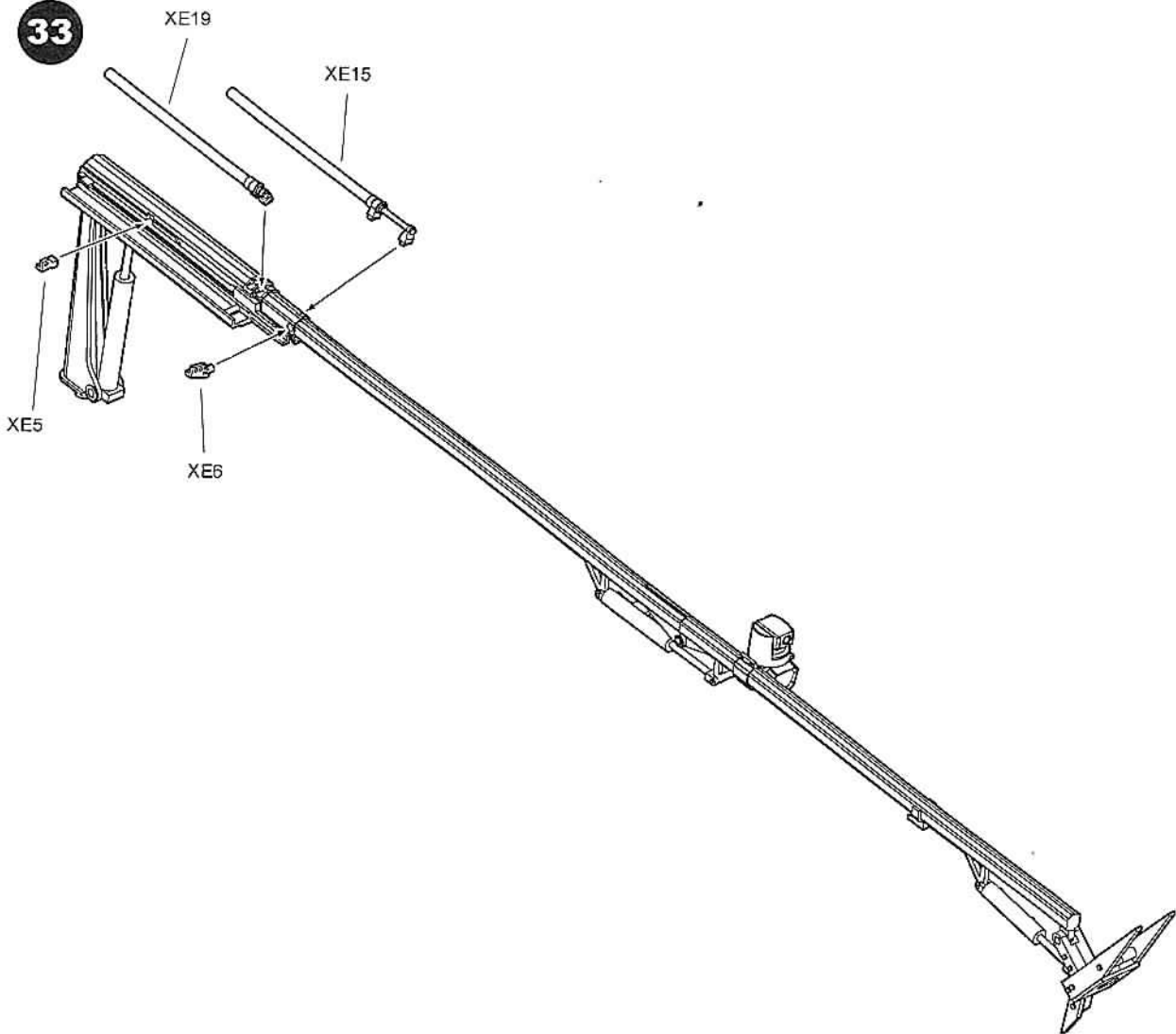
31



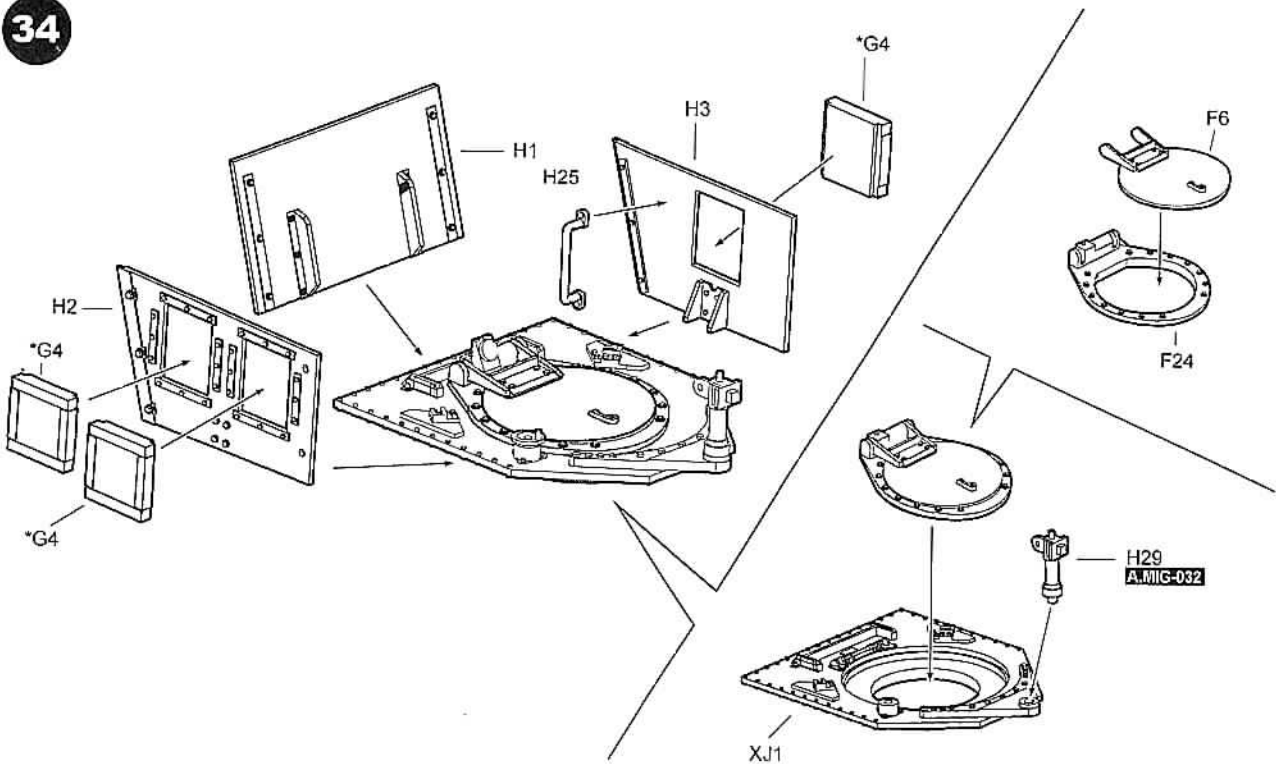
32



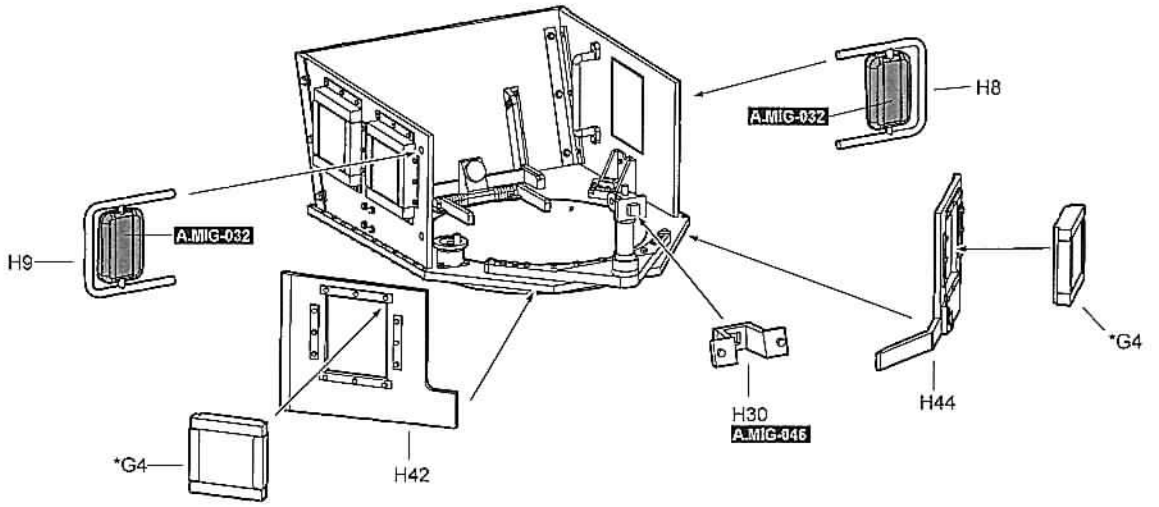
33



34



35

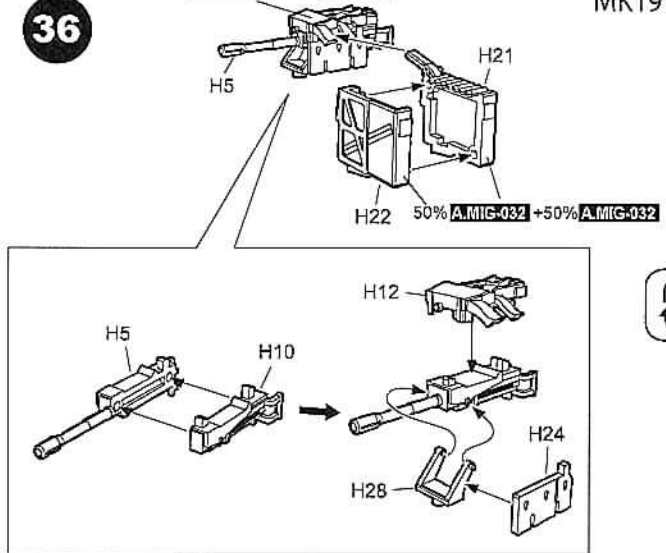


36

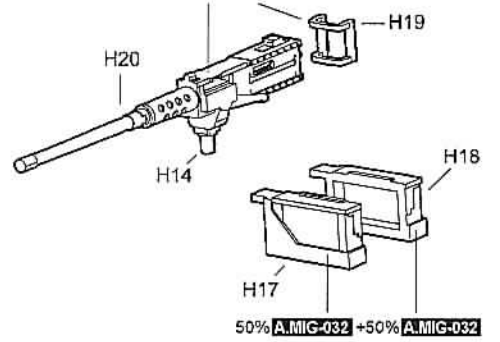
50% A.MIG-032 + 50% A.MIG-032

MK19

M2 50 CAL



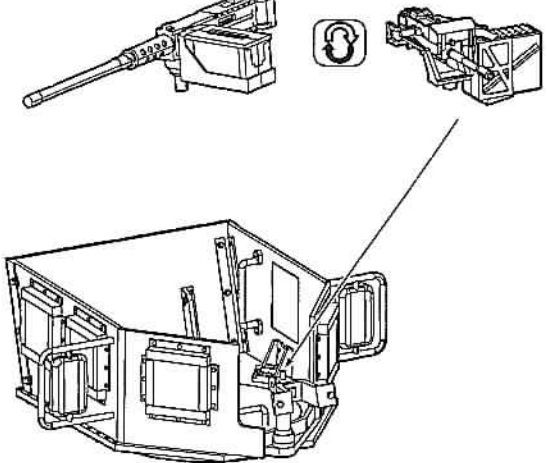
50% A.MIG-032 + 50% A.MIG-032



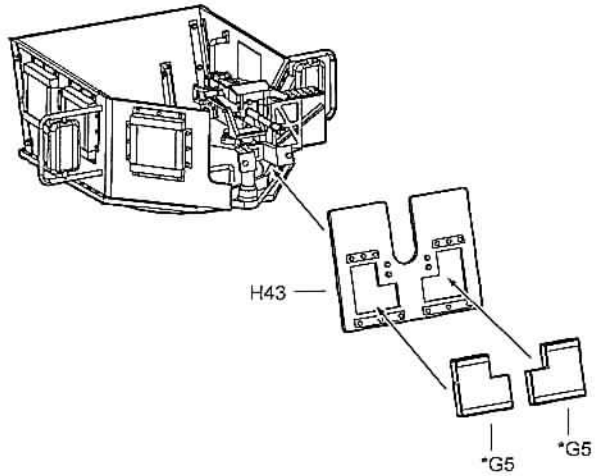
37

M2 50 CAL

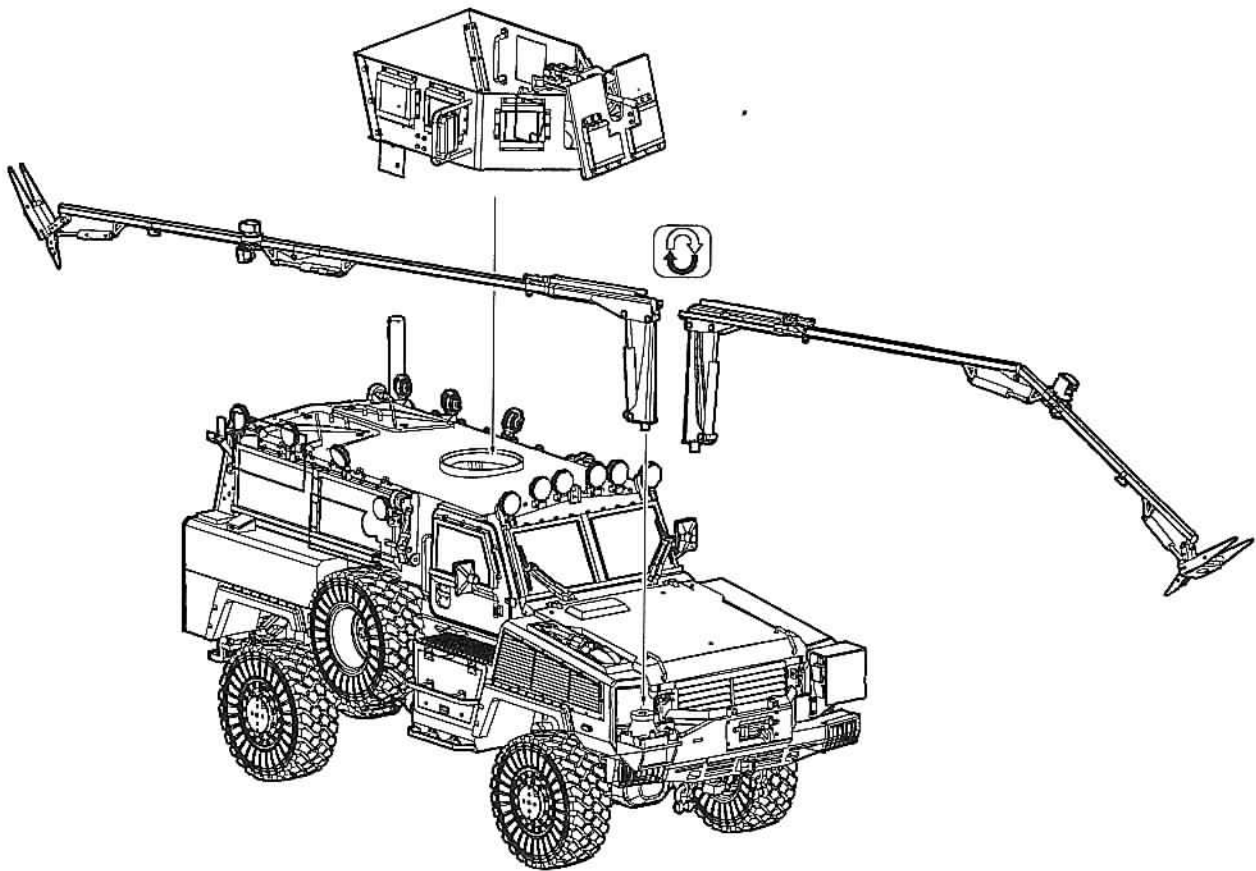
MK19



38



39

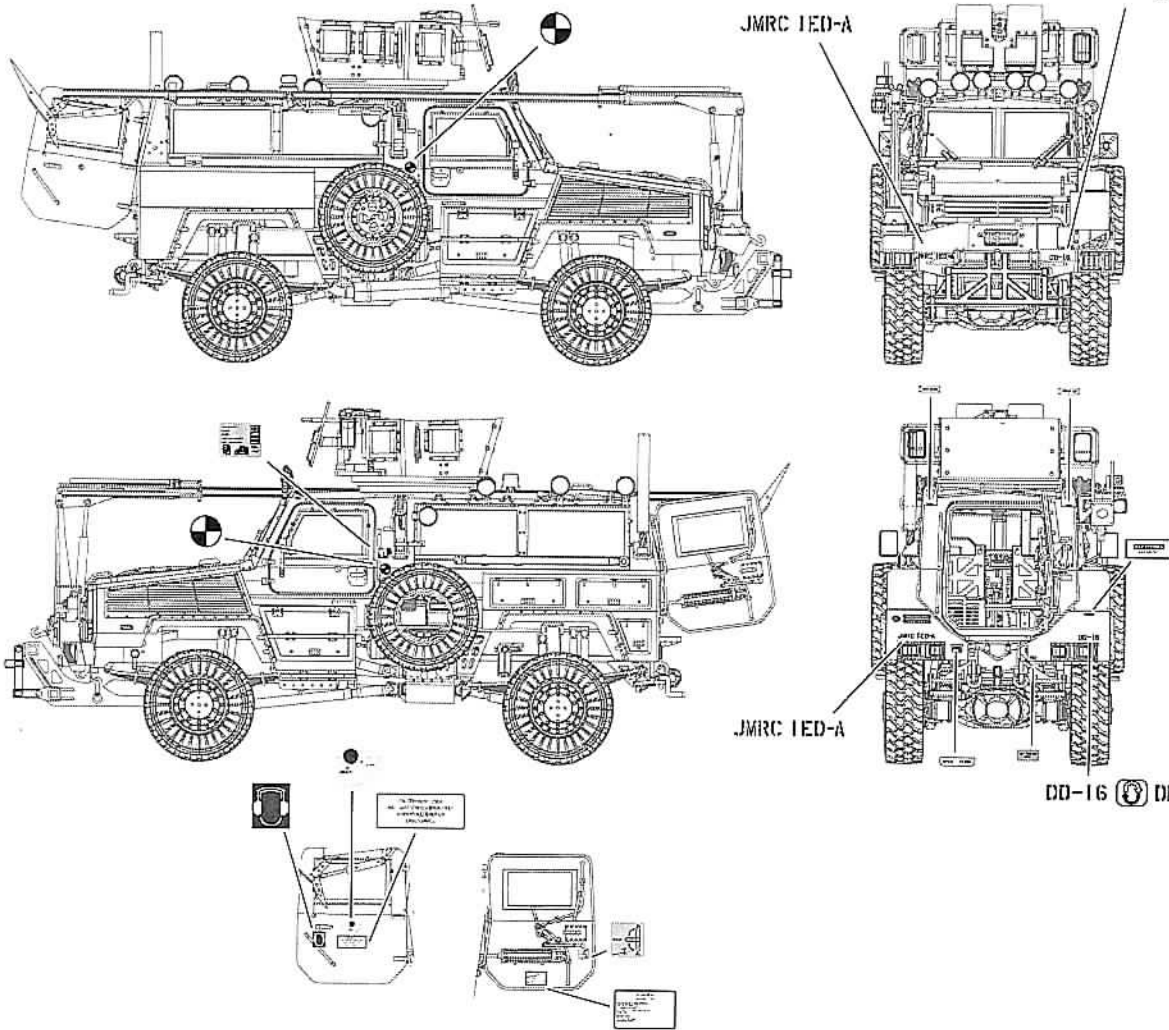


### EOD FIGURE



## DECAL INSTRUCTION

DD-16 DD-158



DD-16 DD-158

## PAINT INDEX

COLOR	AMMO MIG	VALLEJO MODEL COLOR	GSICREOS MR. COLOR	TAMIYA ENAMEL/ACRYLIC	HUMBROL ENAMEL
B Resedagrün	A.MIG-004	980	-	XF17	91
Cremeweiss	A.MIG-017	918	-	-	41
Satin Black	A.MIG-032	855	-	-	85
Gun Metal	A.MIG-045	863	76	XF56	53
Matt Black	A.MIG-046	950	12	XF17	33
Satin White	A.MIG-047	951	11	XF2	34
Red	A.MIG-049	957	-	-	153
Grey	A.MIG-059	886	-	XF22	-
Stone Grey	A.MIG-075	884	-	XF55	-
Blue (RAL5019)	A.MIG-086	899	-	-	15
Crystal Red	A.MIG-093	934	-	-	220
Crystal Glass	A.MIG-094	-	-	-	-
Crystal Smoke	A.MIG-095	-	-	-	-
Crystal Orange	A.MIG-097	935	-	-	-
Crystal Light Blue	A.MIG-098	938	-	-	-
Light Brown Grey	A.MIG-120	990	-	-	-
Old Brass	A.MIG-190	801	-	-	54
Steel	A.MIG-191	864	-	-	56
Polished Metal	A.MIG-192	800	-	-	27004
Aluminum	A.MIG-194	869	-	XF75	106
Silver	A.MIG-195	997	8	XF16	11