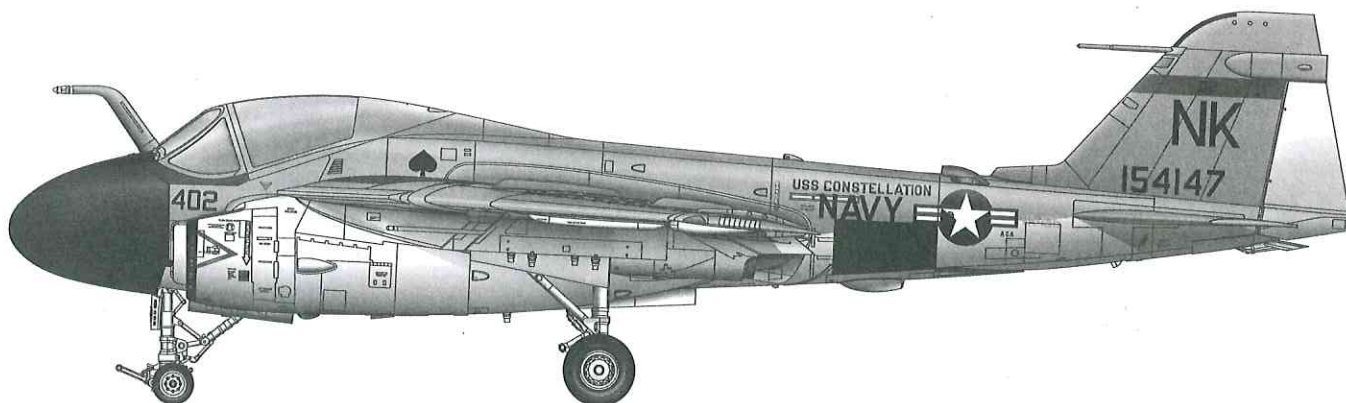


1/72 SCALE

ITEM NO.:01640



A-6A Intruder

美国A-6A“入侵者”攻击机

READ BEFORE ASSEMBLY:

- This kit is not recommended for inexperienced modelers or for children under 14 years of age
- Study and understand these instructions thoroughly before beginning assembly
- When needed, remove photo-etch parts carefully using a modeling knife or photo etch sprue cutter, being careful not to damage or lose small parts.
- Take extra care in handling photo etch parts in order to avoid injury
- Apply instant cement sparingly to photo etch parts where instructed

- Tools recommended(not included in kit):Plastic and instant cements,sprue cutters,long nose pliers,modeling knife, small files, tweezers, pin vise & scissors. Soft cloth and sandpaper will also assist in construction
- Glue and paint are not included in the kit. Use plastic cement and hobby paints only. Color guide for purchasing paint is included in the kit.
- Keep out of reach of children. They must not be allowed to ingest small parts or handle plastic bags in any way.

*说明书中含有重要信息，应保留。 Please Keep instruction since it contains important information.

装配之前仔细阅读

- 小心用模型锉刀锉平所有零件表面的注射浇口。
- 小心用刀片切下蚀刻片零件，不要遗失小零件。
- 用强力快干胶水粘合蚀刻片零件和金属轴。过量的快干胶水使用可能导致可动零件会粘住，小心涂胶。
- 取蚀刻片时应特别注意安全，防止利边划伤手指。
- 某些零件表面需贴水贴纸，请选择在装配的同时进行。
- 推荐模型工具(自备)：胶水，水口剪刀，长咀钳，刀片，锉刀，镊子钳，钻，剪刀，瞬间快干胶。
- 软布同砂纸同时也是所需工具。
- 请使用塑料胶水和油漆，模型内不含。
- 谨防小孩吸吮塑料零件，或者将塑料袋套在头上，制作时应将套材远离小孩接触。
- 本产品不适合14岁以下没有经验的模型爱好者。

水贴纸的使用:

1. 从水贴上剪下印花;
2. 将印花放入温水中浸10秒，然后放在干净布上。
3. 拿着印花纸板将印花移到模型上;
4. 手指蘸水将印花移到适当的位置;
5. 用软布轻压印花直至水干，汽泡消失。

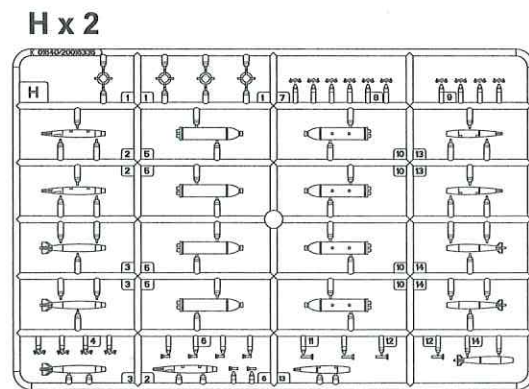
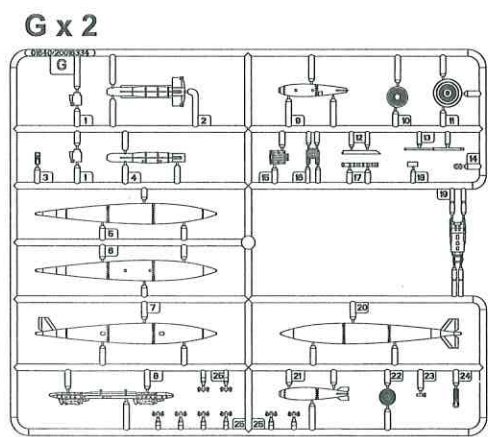
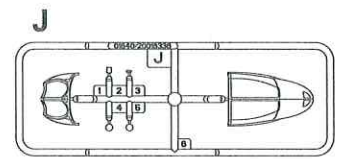
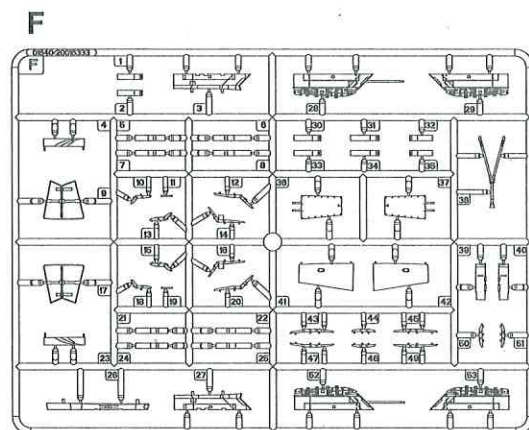
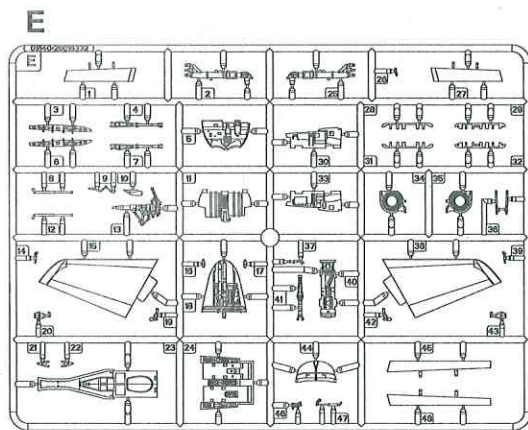
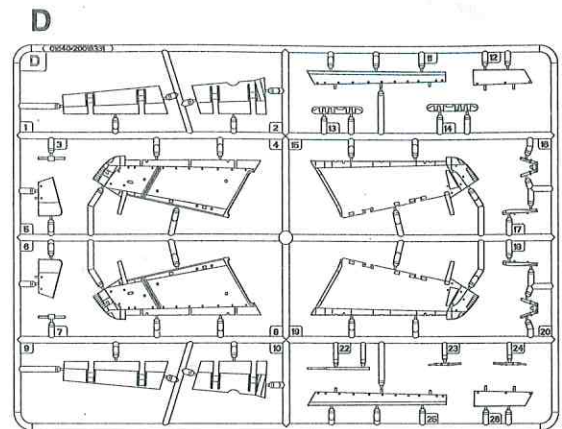
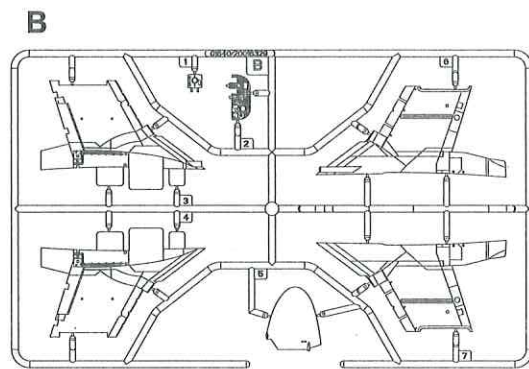
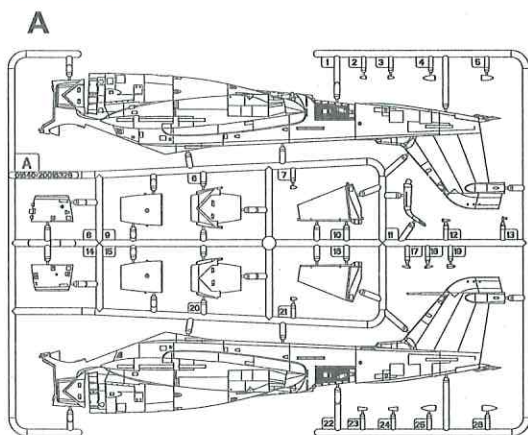
DECAL APPLICATION:

1. Cut decals from sheet as needed
2. Dip the decal in warm water for about 10 seconds and then place on soft clean cloth.
3. Hold the decal backing sheet edge and gently slide the decal onto the model in its proper position.
4. While still wet, decal can be adjusted for better fit on model by dampening it gently with your finger.
5. When placed in the proper position, gently press decal down with a soft cloth until excess water and air bubbles are gone.
6. Allow decal to dry completely before handling model

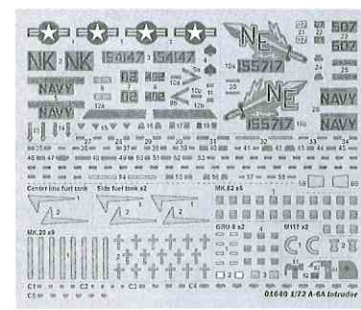


01640

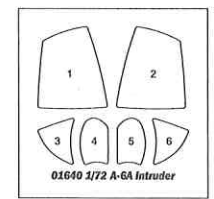
部品图 Parts



《水贴》
Decal

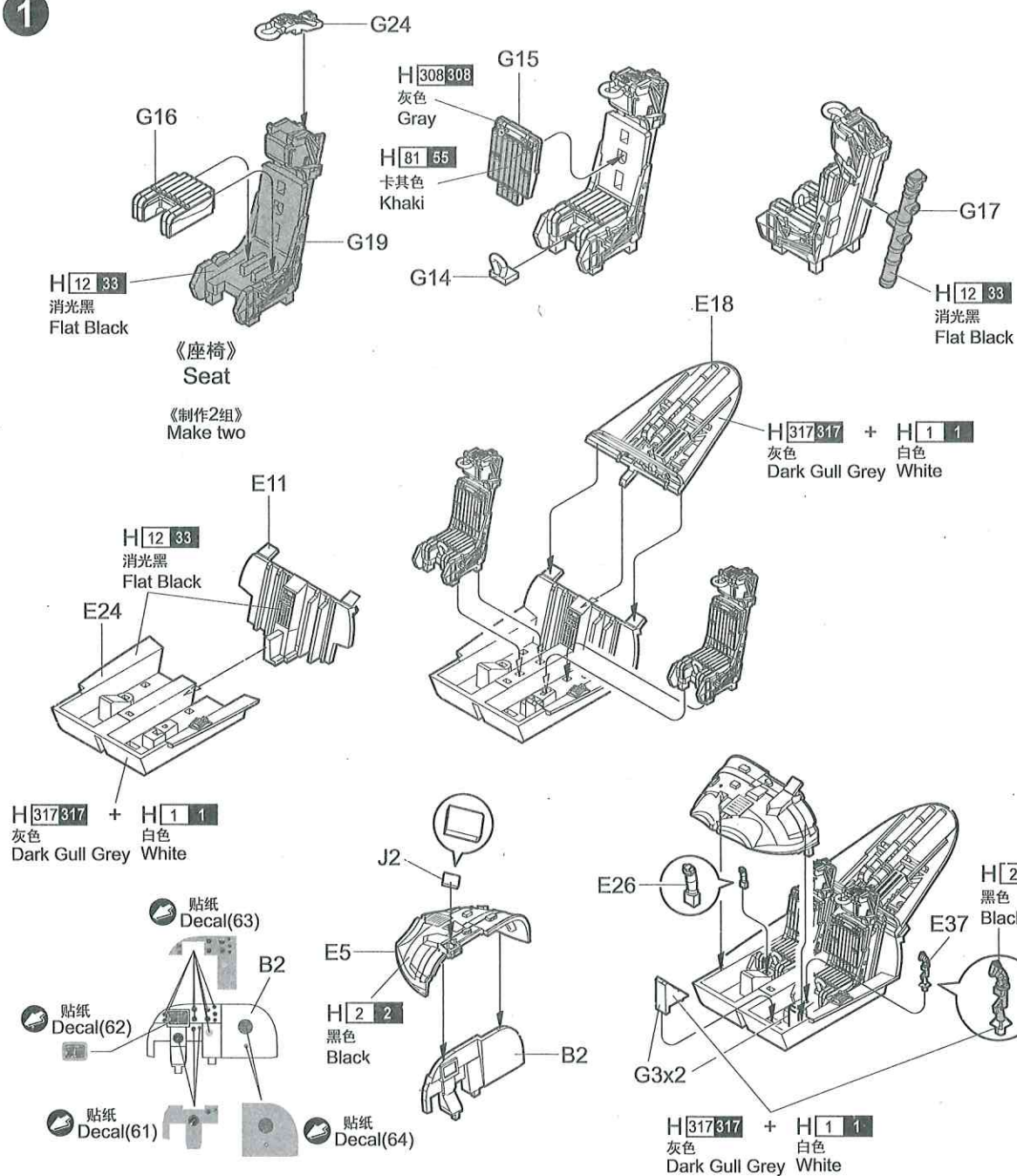


《遮盖纸》
Die-cut mask

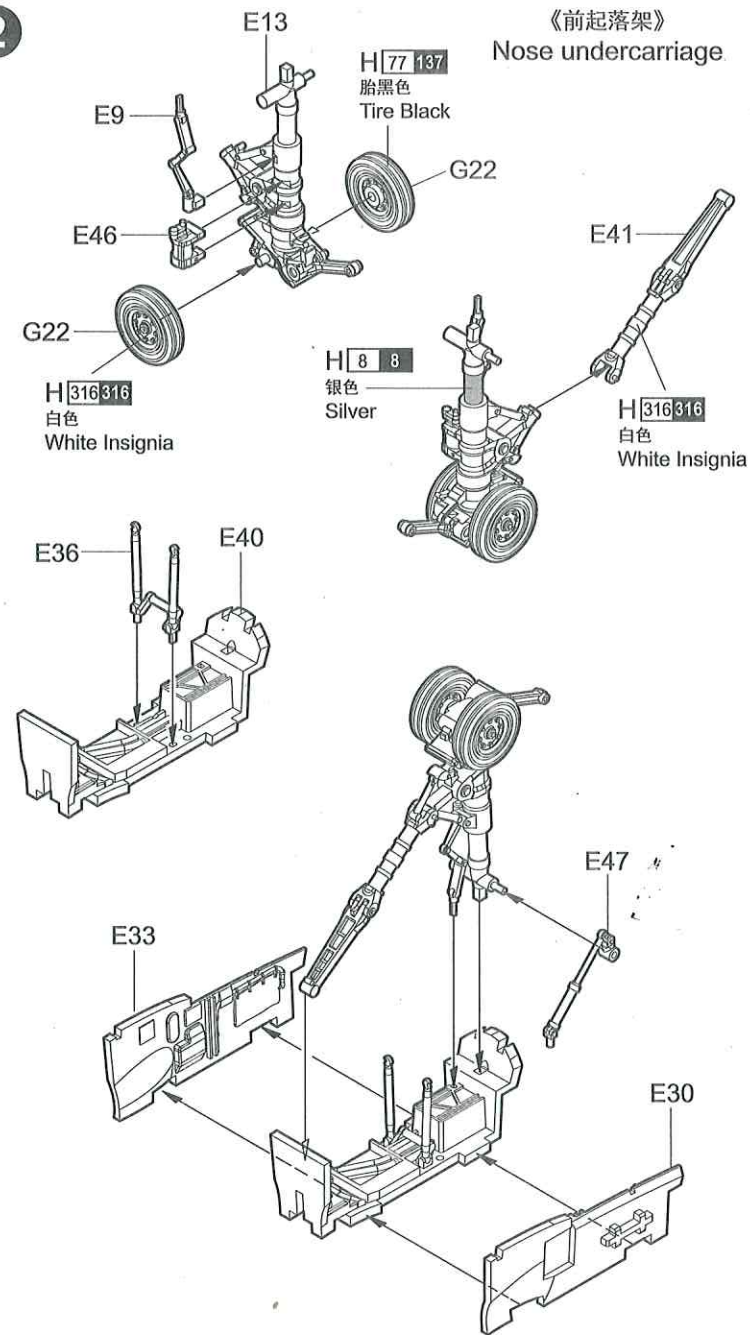


不用的部件: D21, F29, F52, A18
Unused parts

1

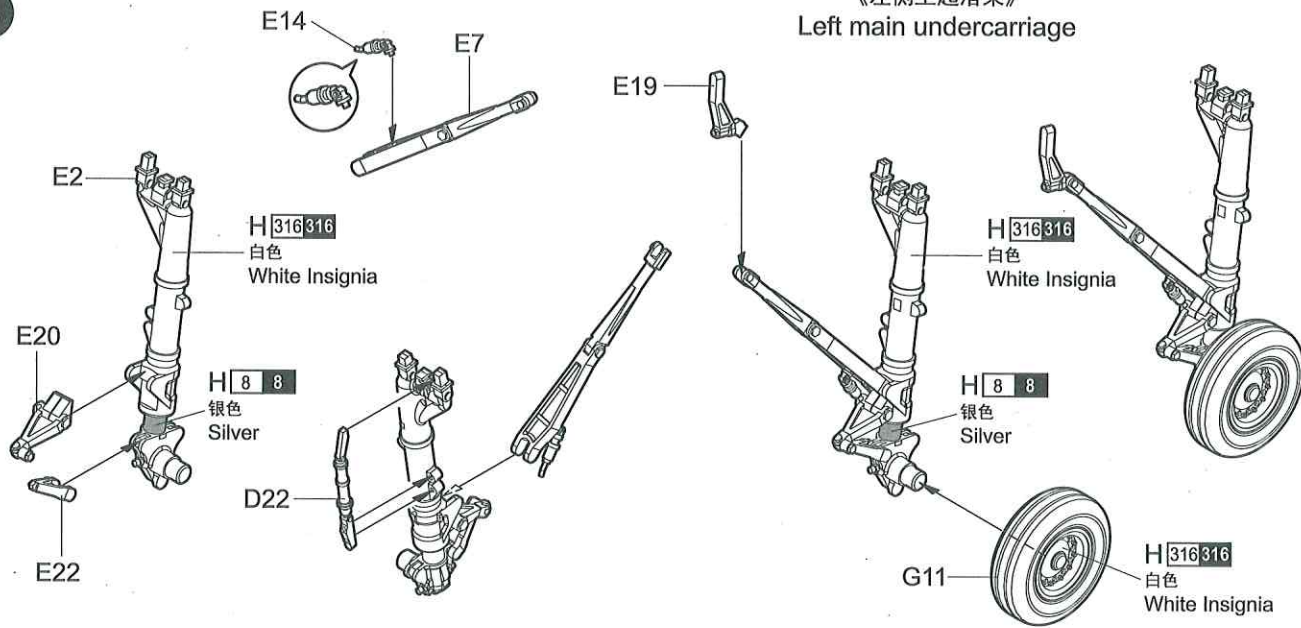


2



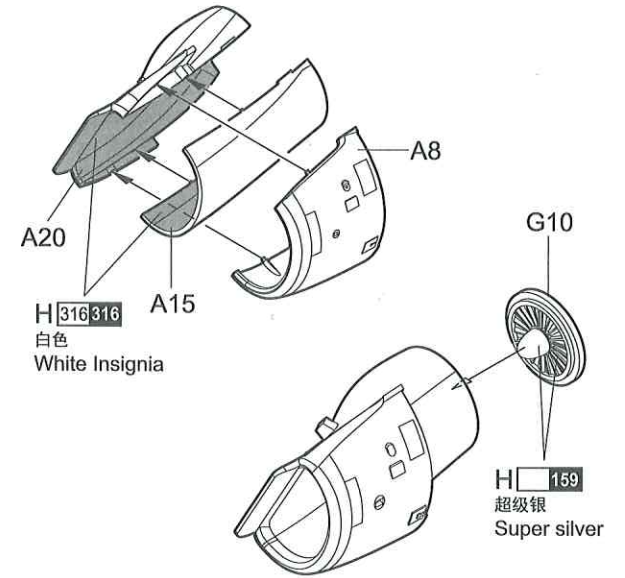
3

《左侧主起落架》
Left main undercarriage



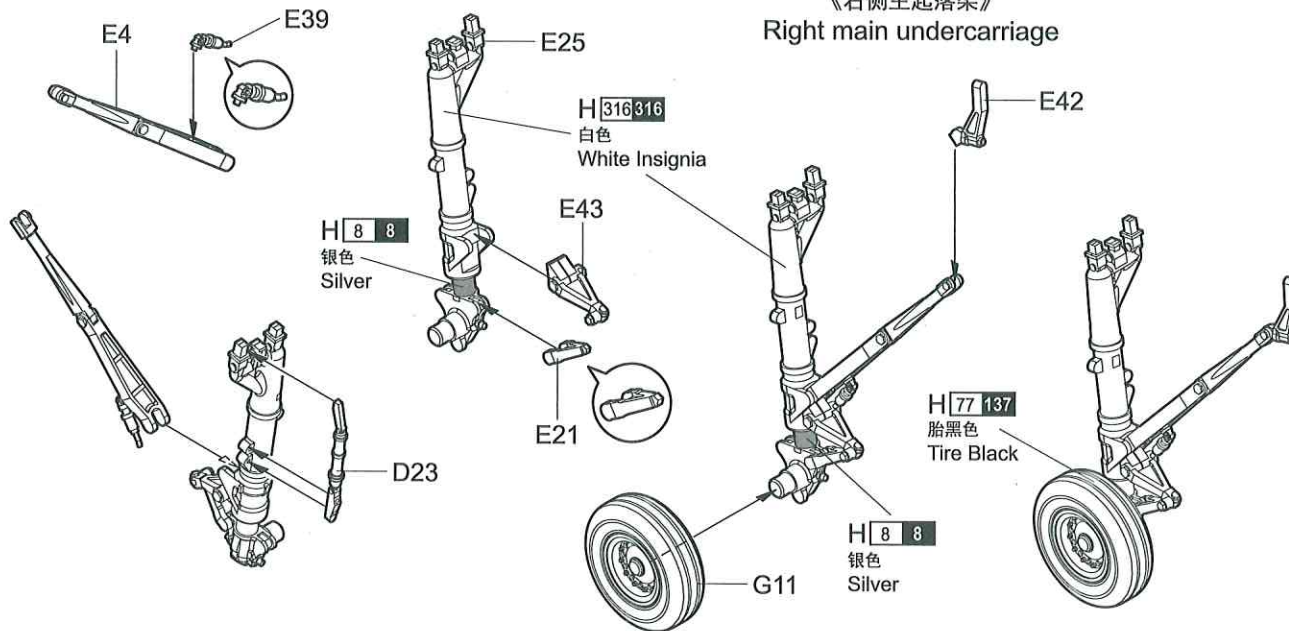
5

《左侧进气道》
Left air intake



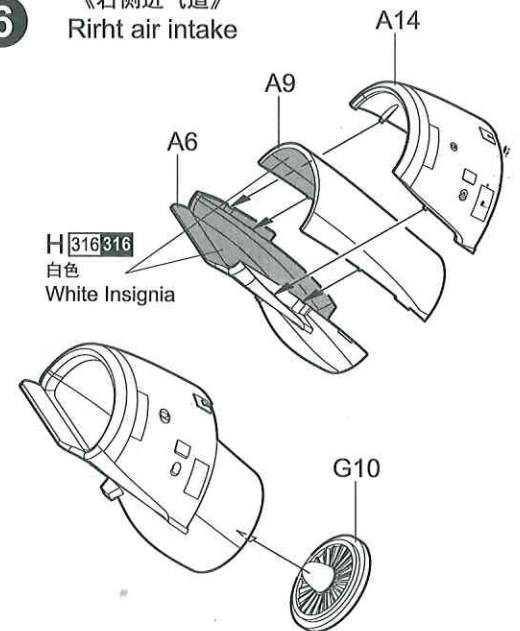
4

《右侧主起落架》
Right main undercarriage

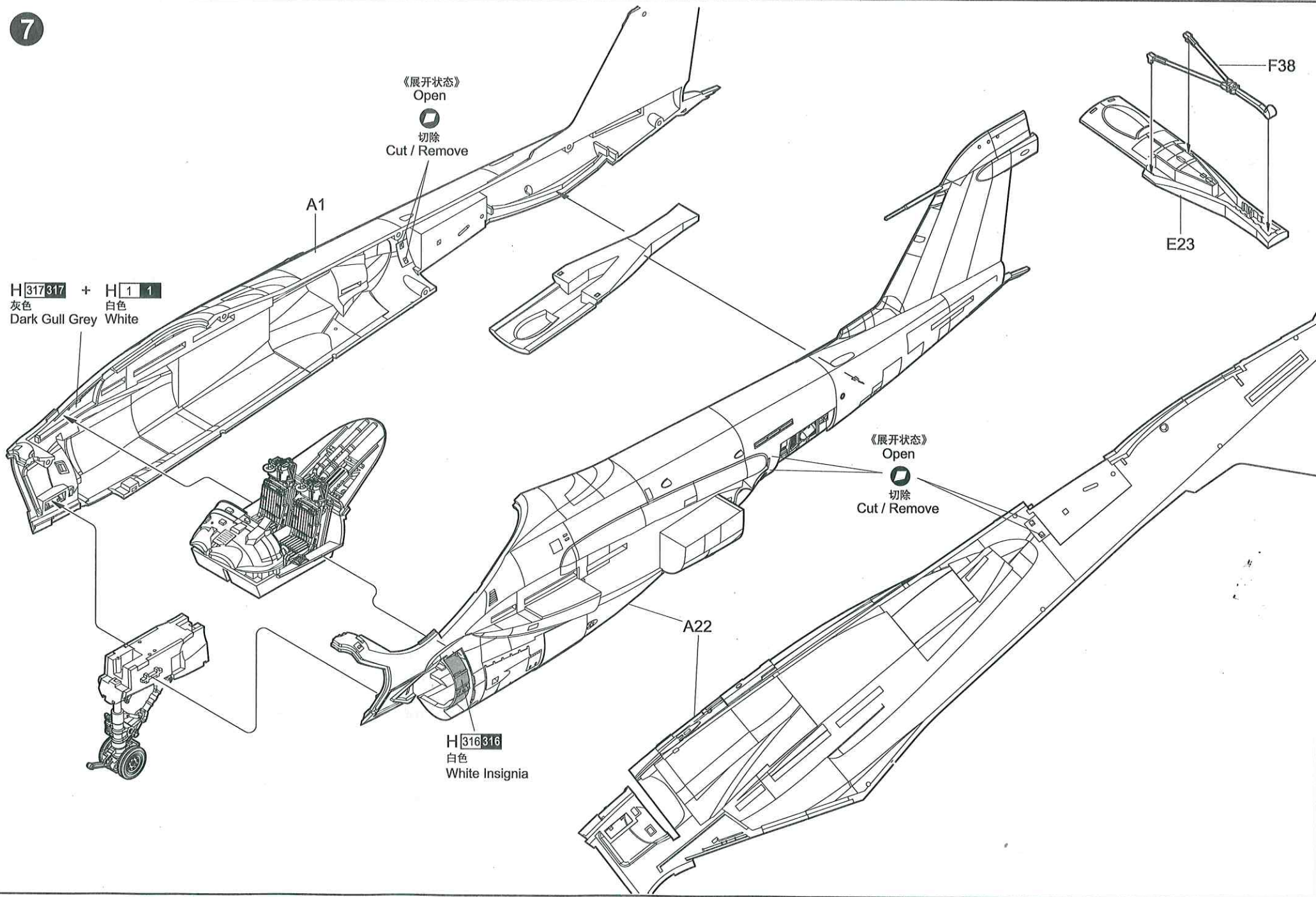


6

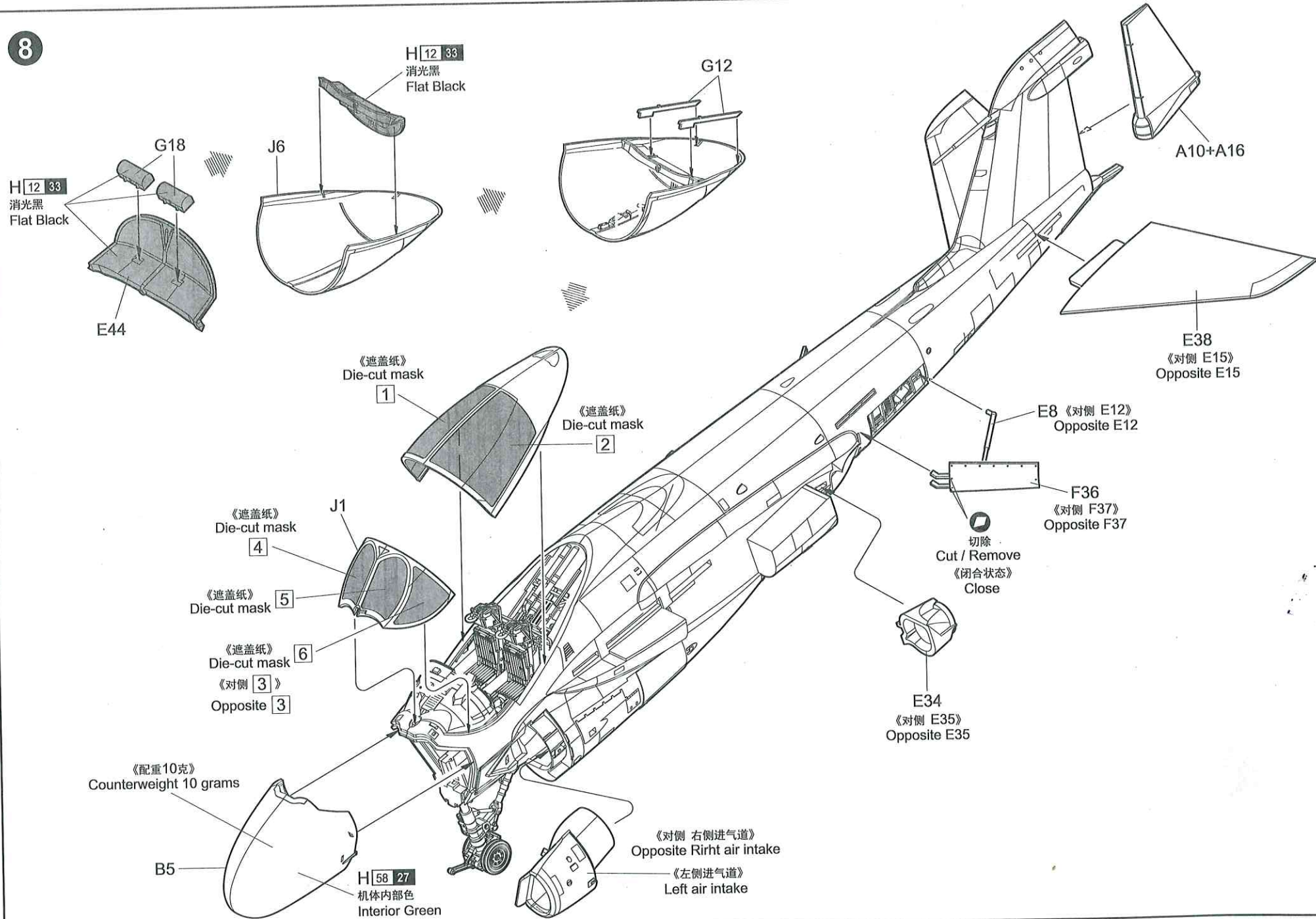
《右侧进气道》
Right air intake



7

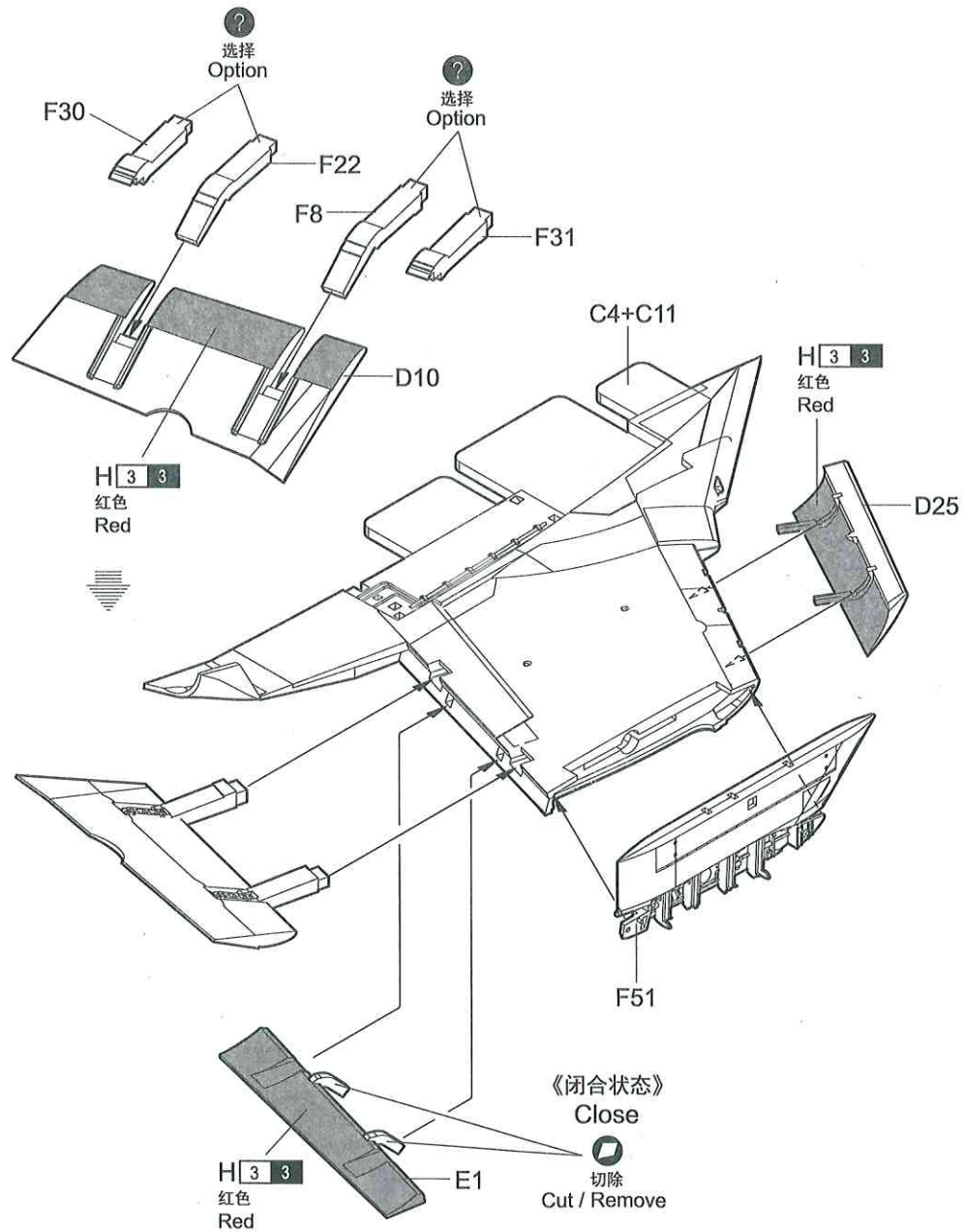


8



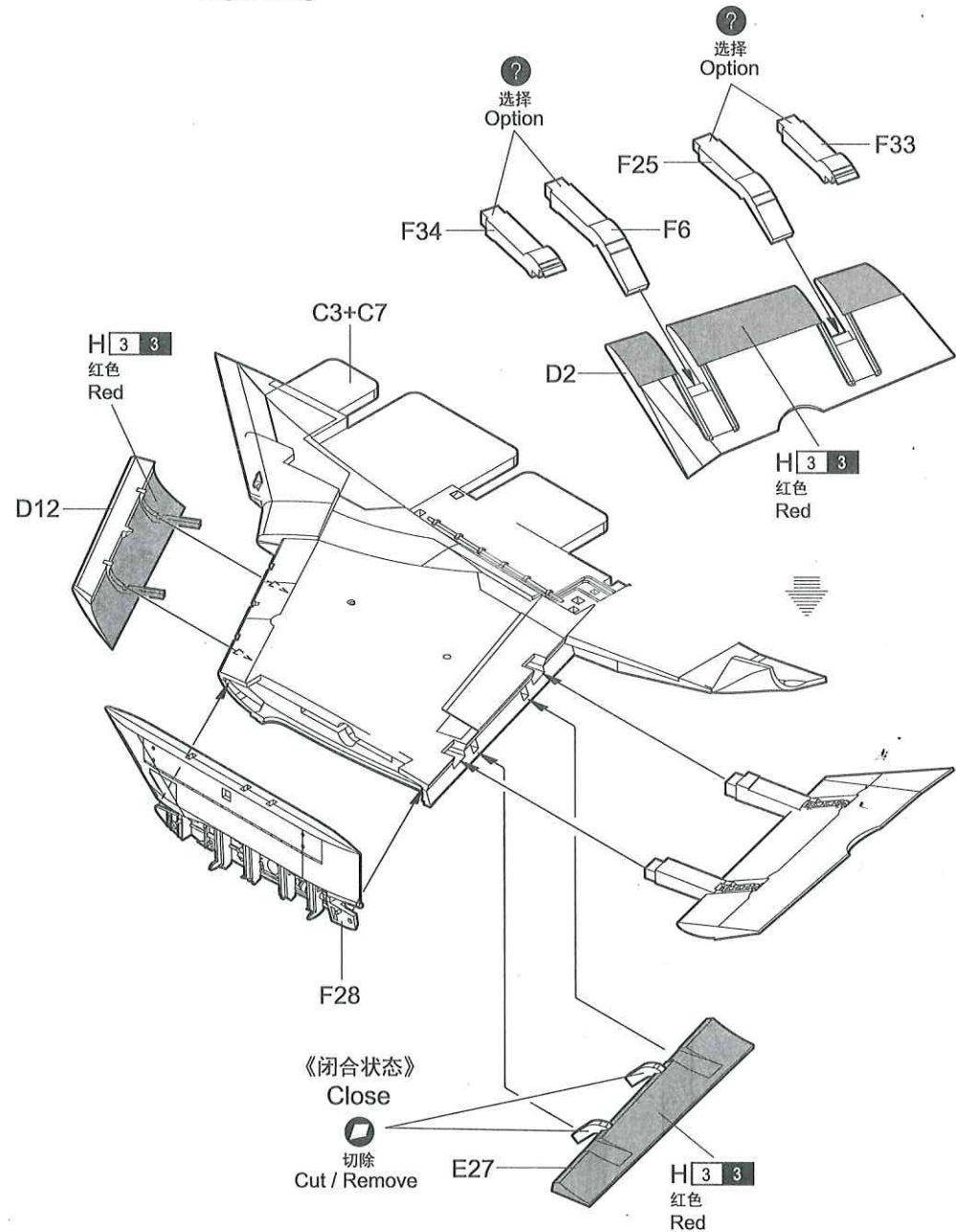
9

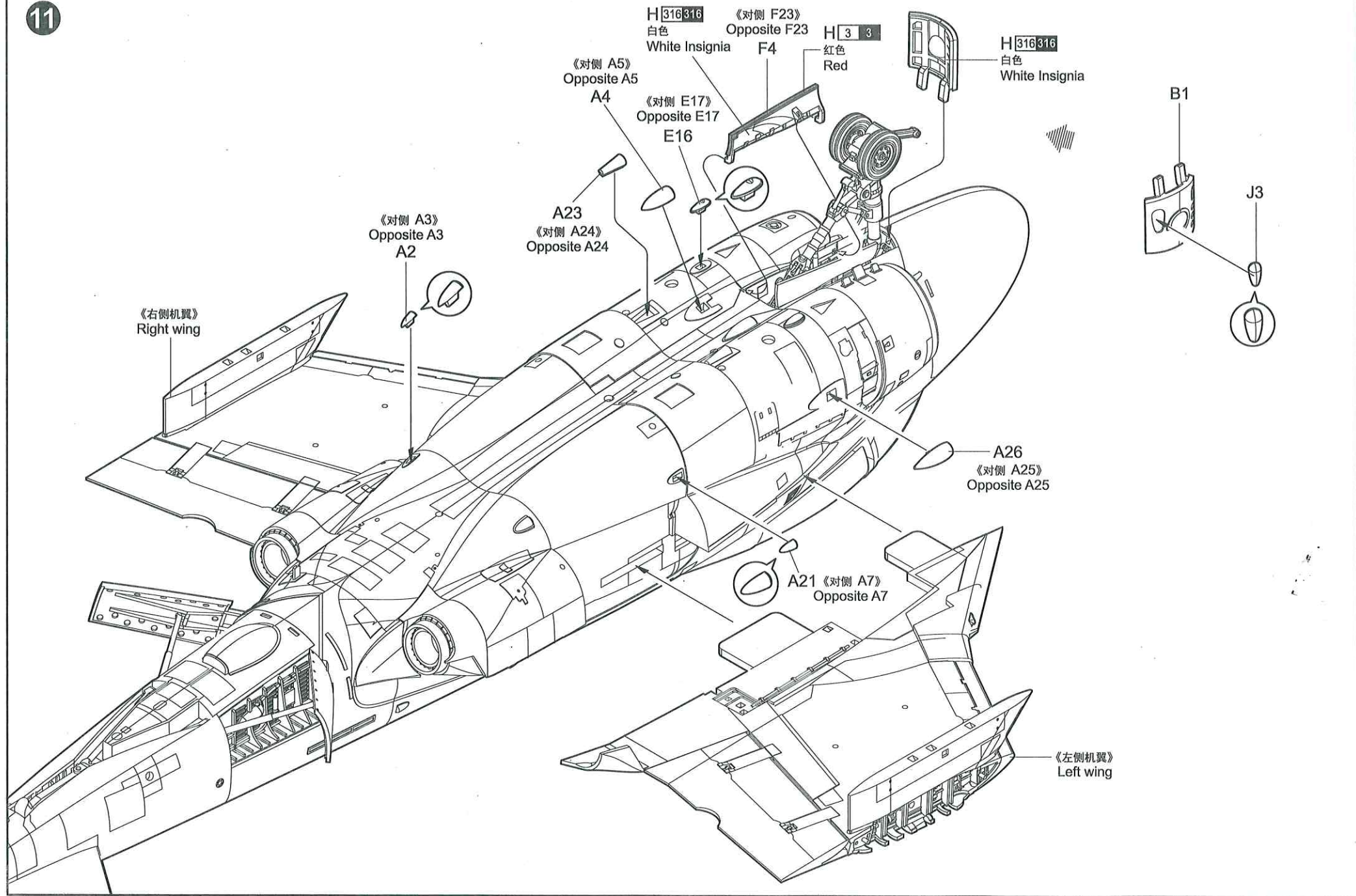
《左侧机翼》
Left wing



10

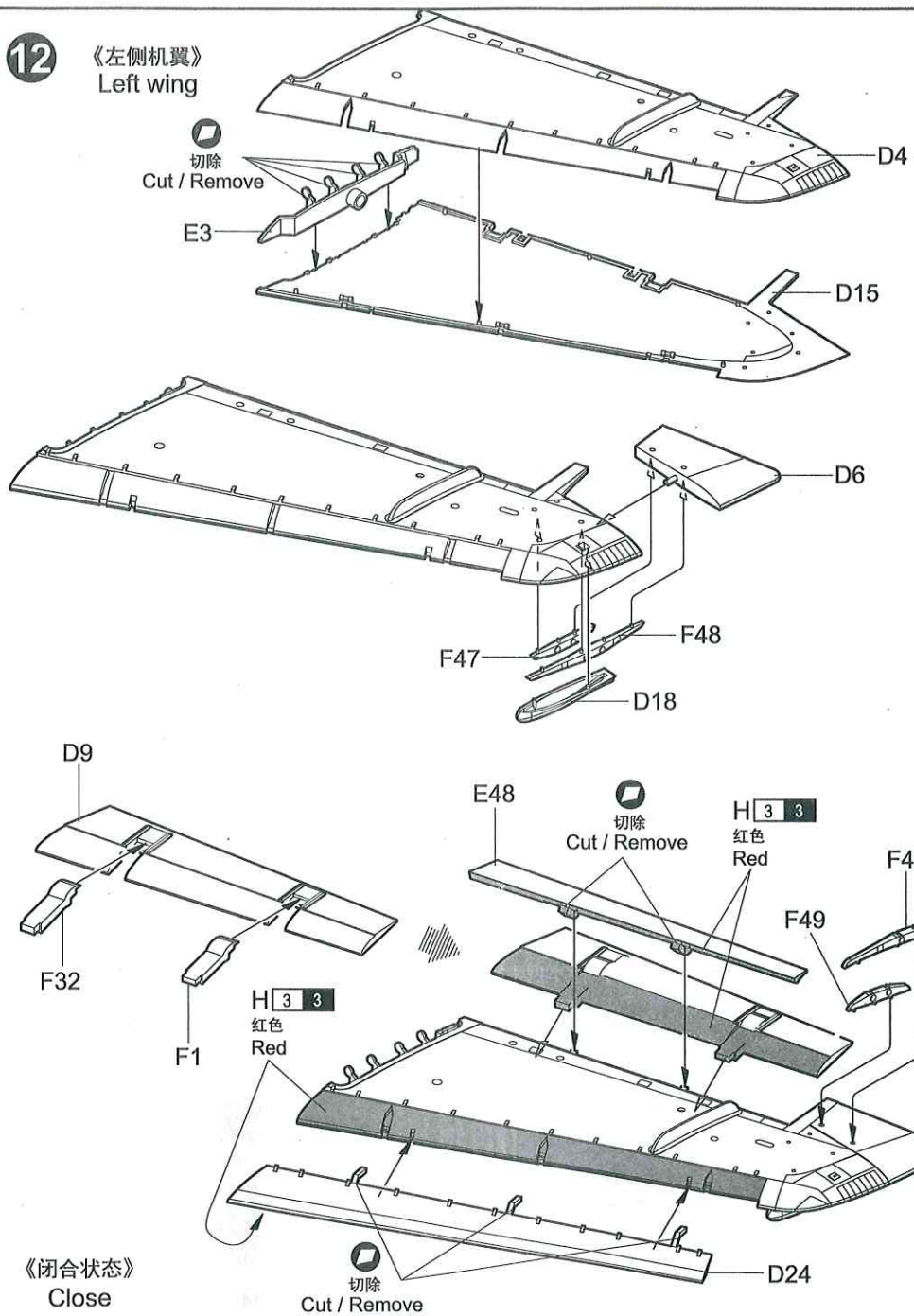
《右侧机翼》
Right wing





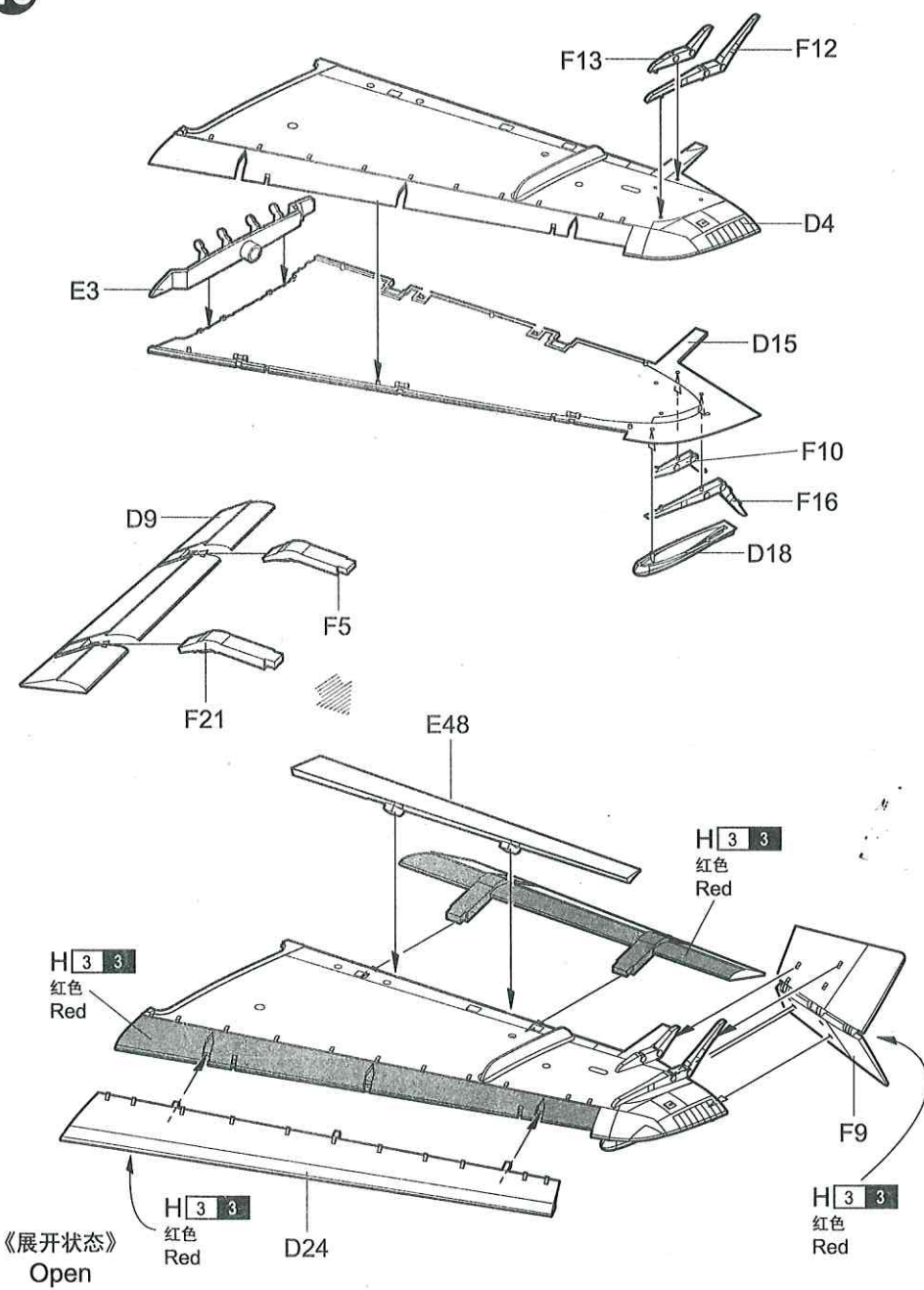
12

《左侧机翼》
Left wing



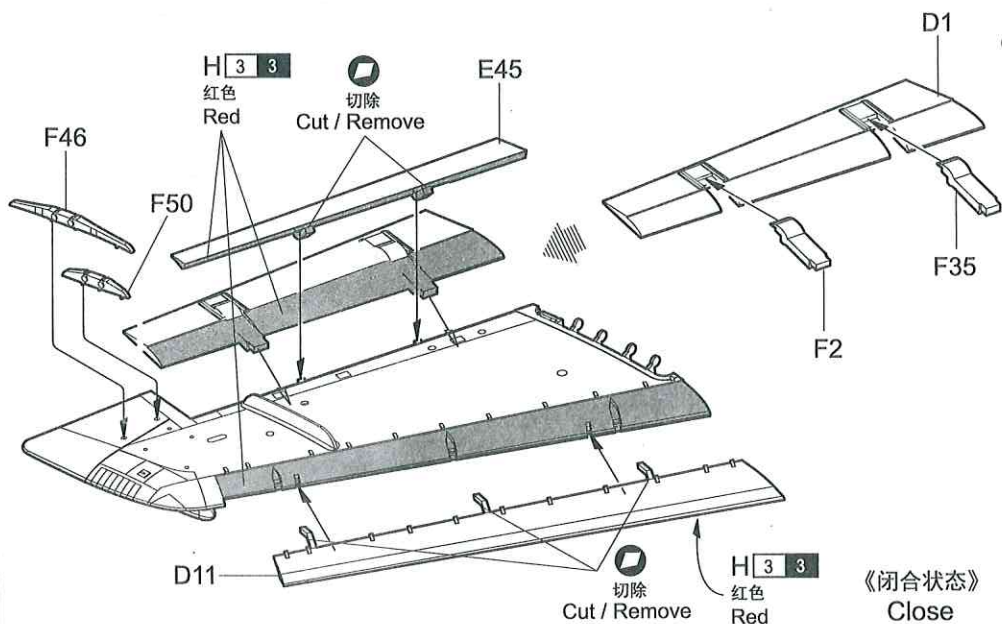
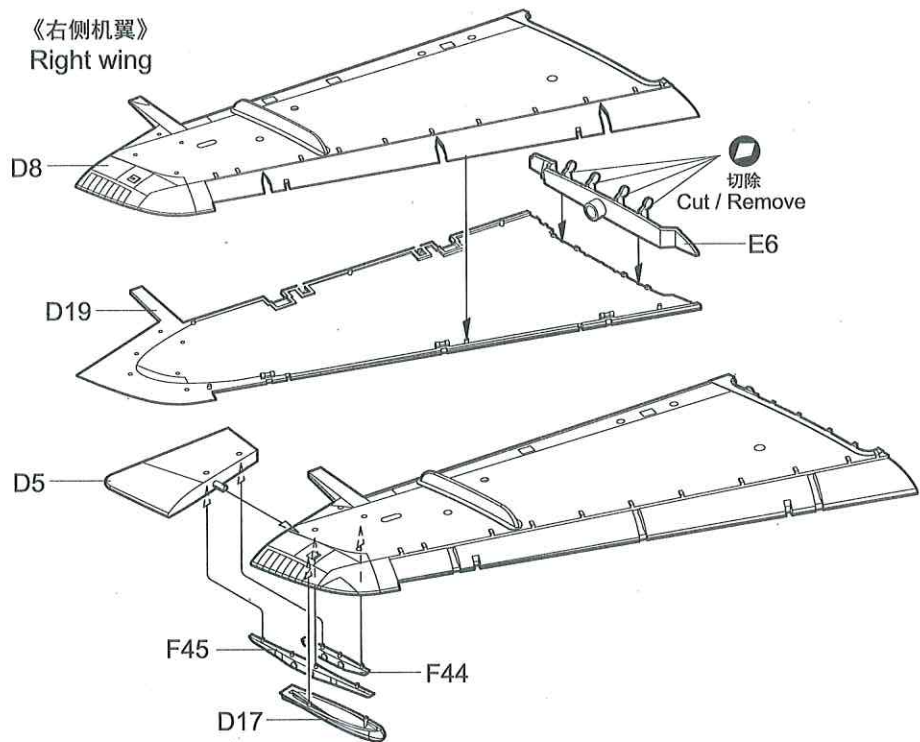
13

选择
Option

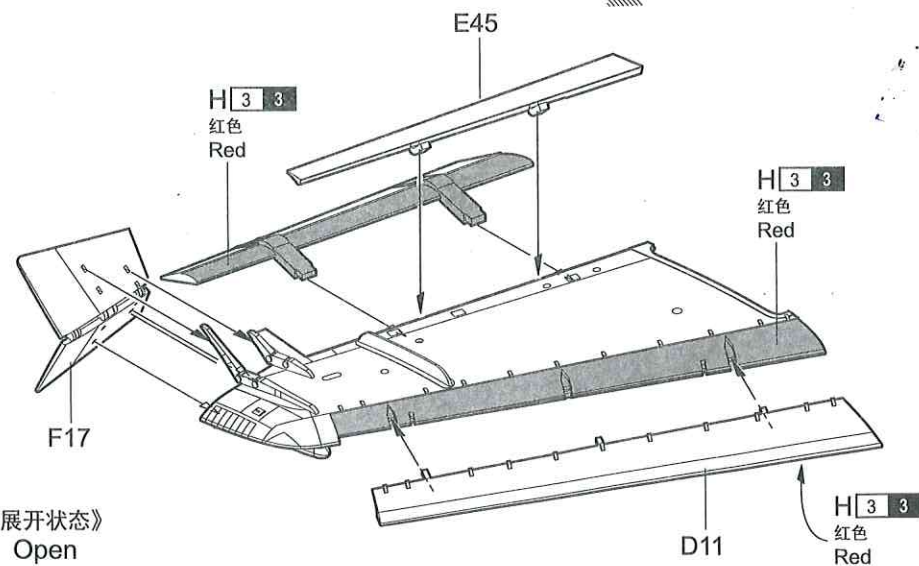
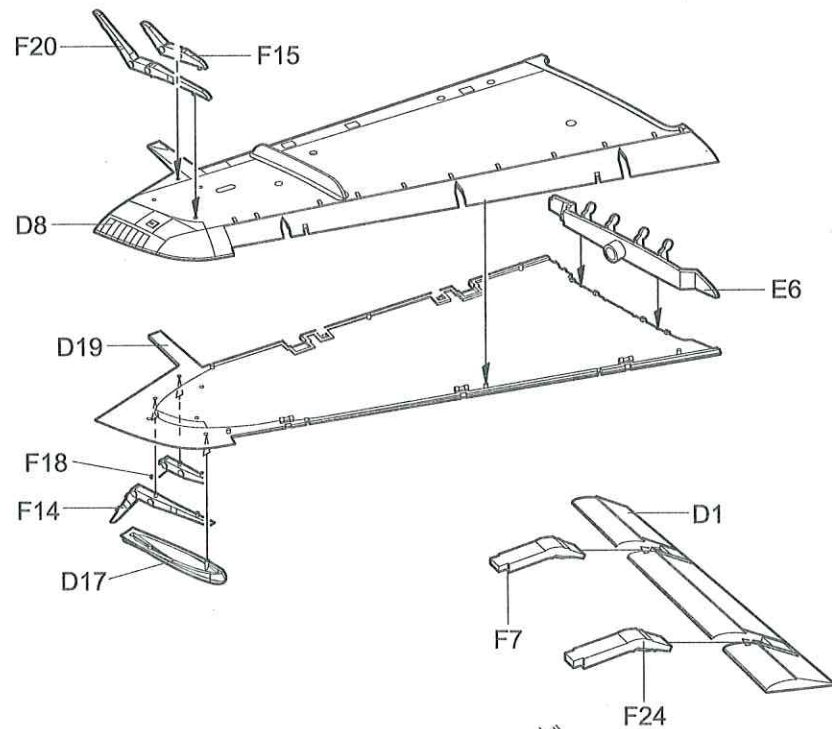


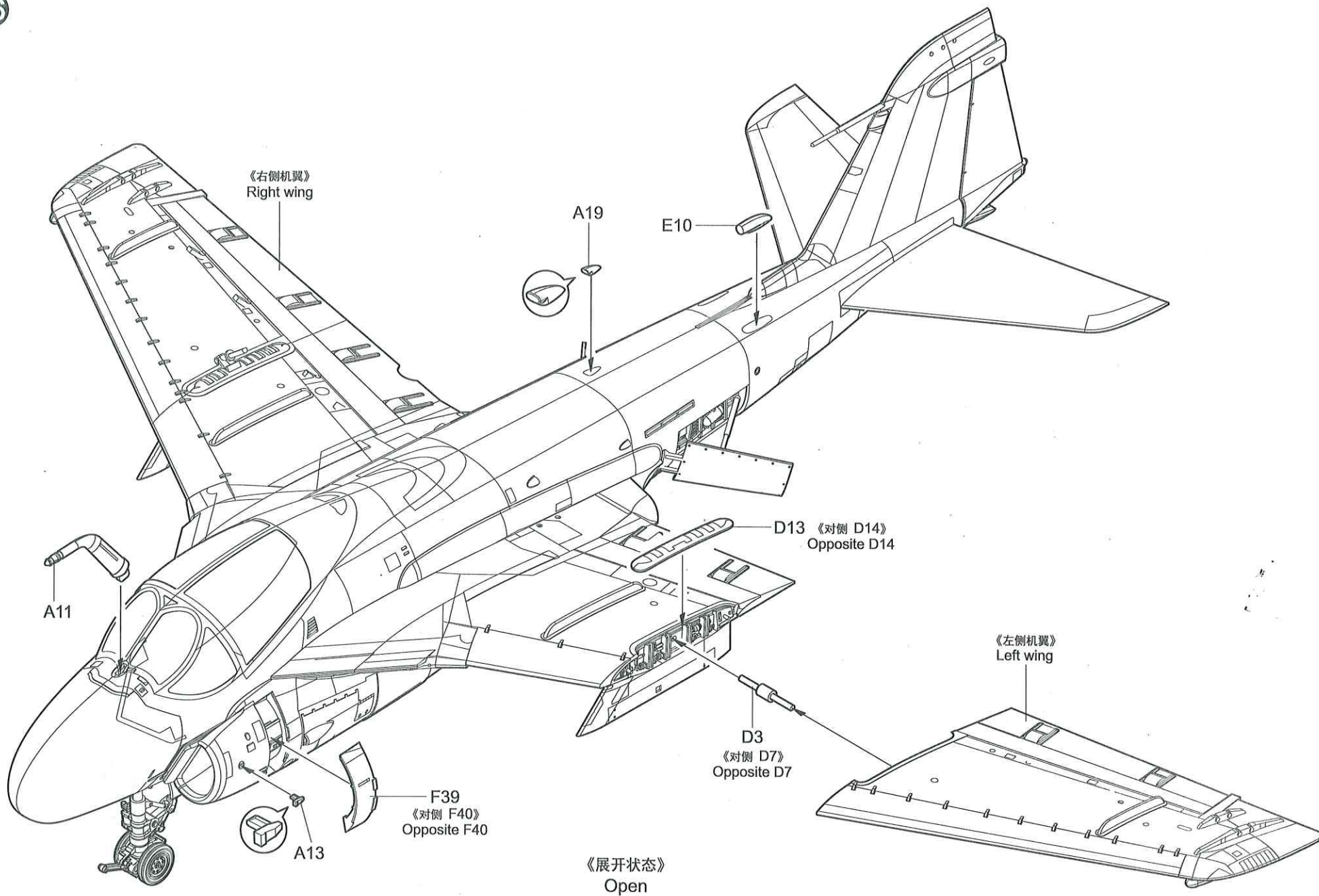
14

《右侧机翼》
Right wing

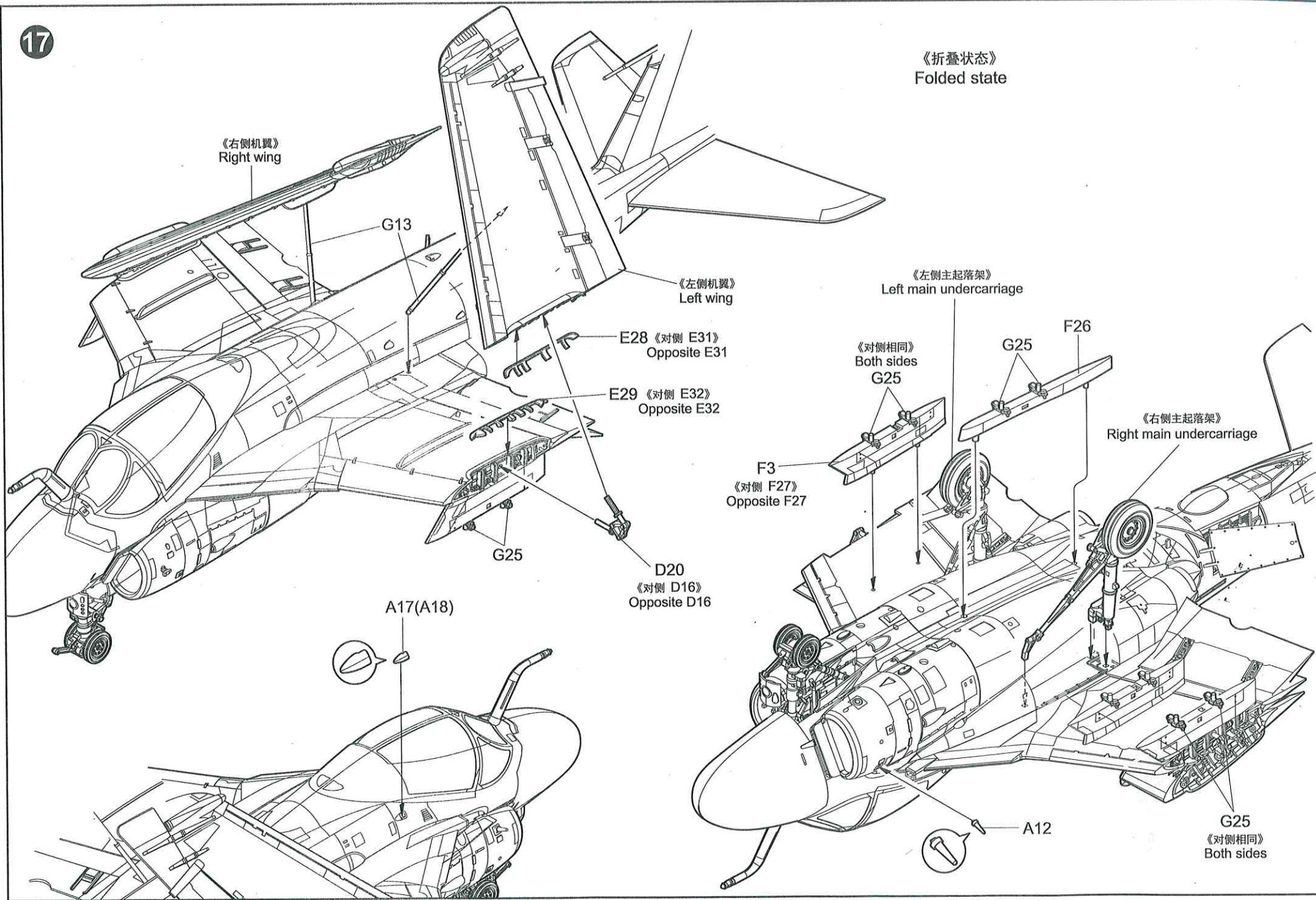


15

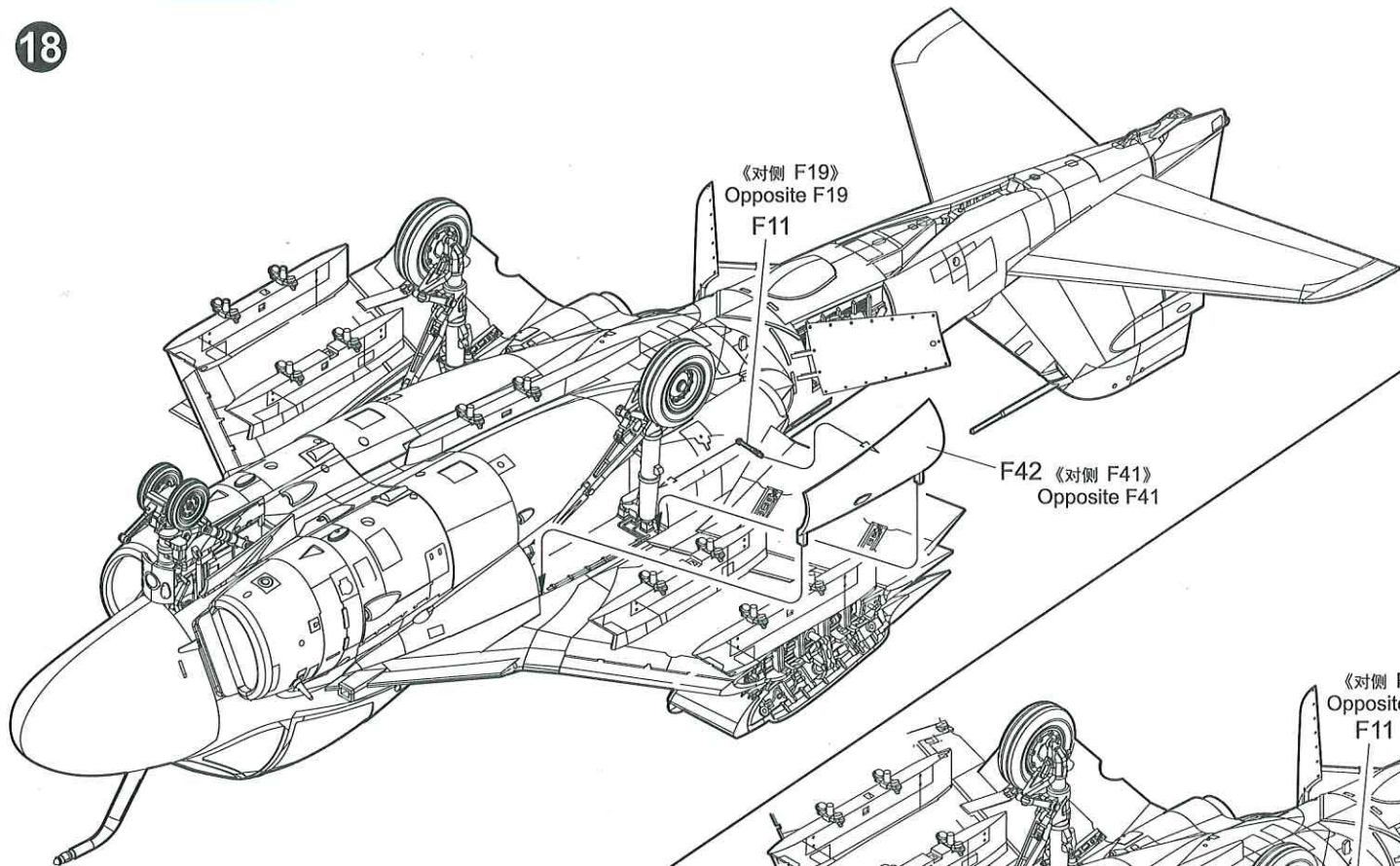




《折叠状态》
Folded state

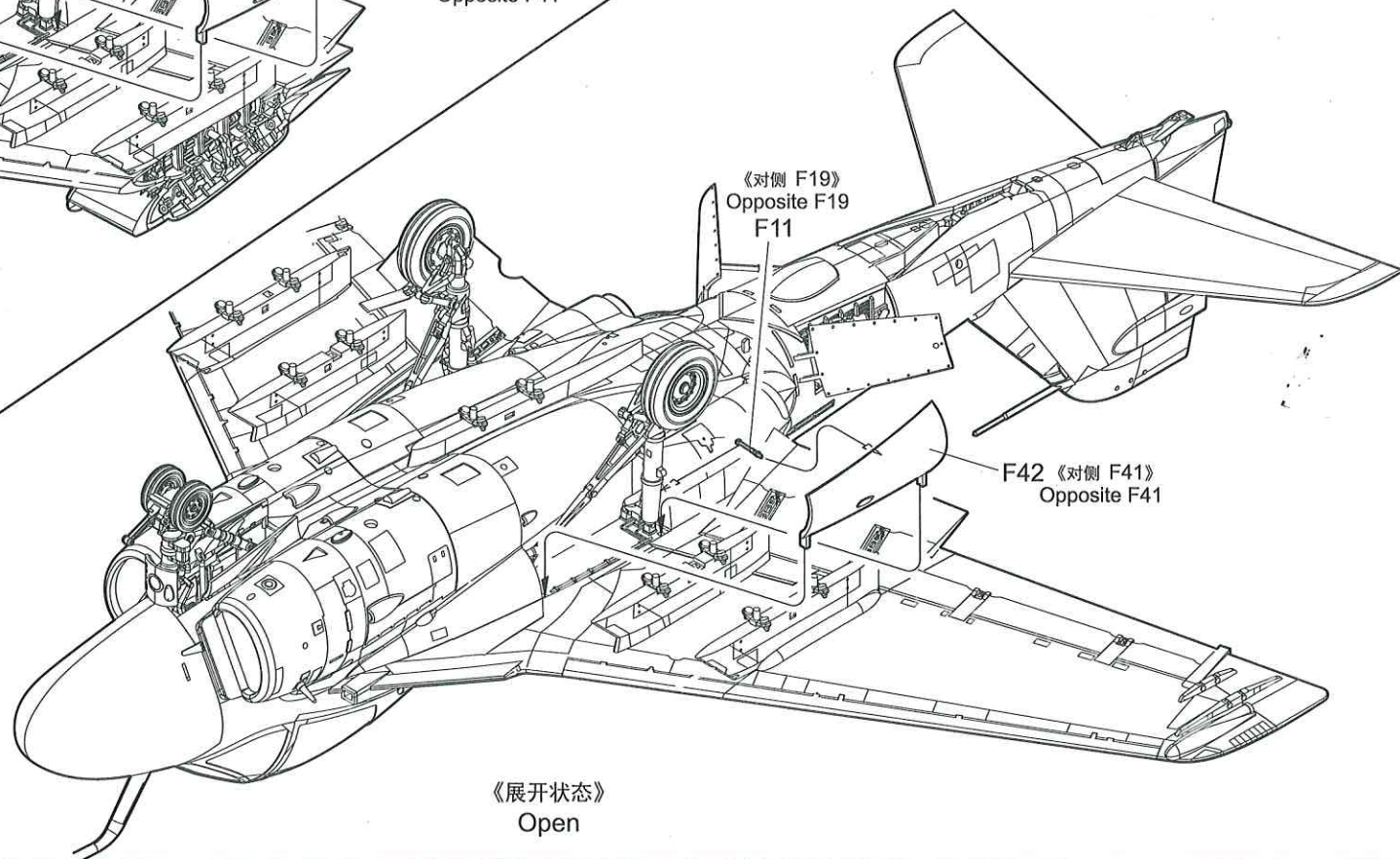


18



《折叠状态》
Folded state

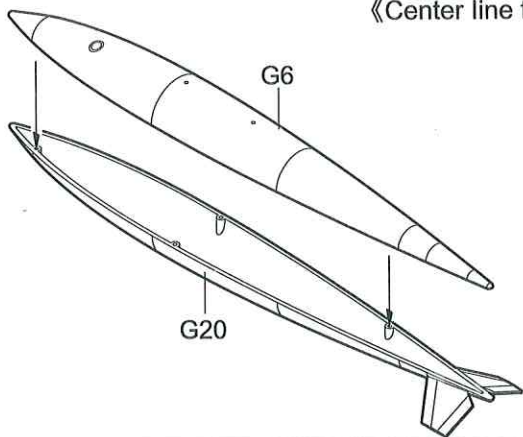
19



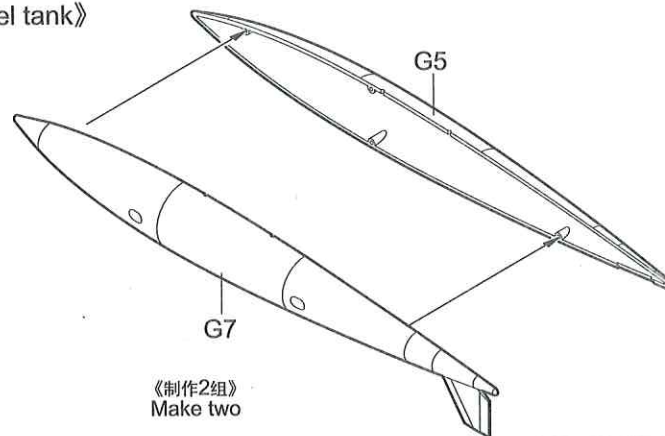
《展开状态》
Open

20

《Center line fuel tank》



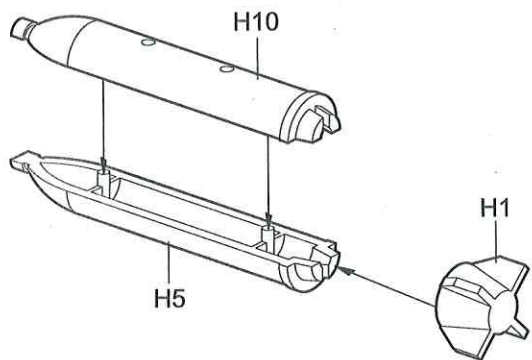
《Side fuel tank》



《制作2组》
Make two

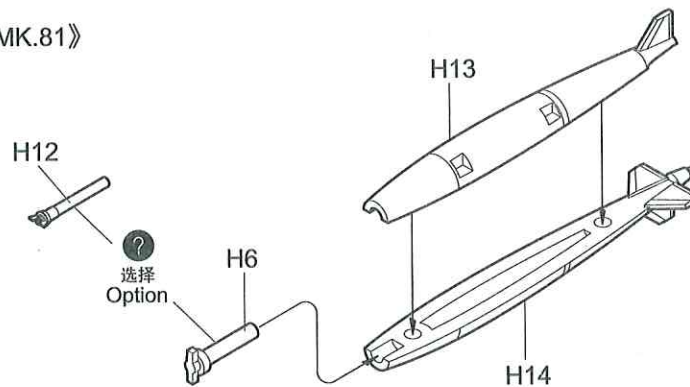
21

《MK.20》



《制作8组》
Make eight

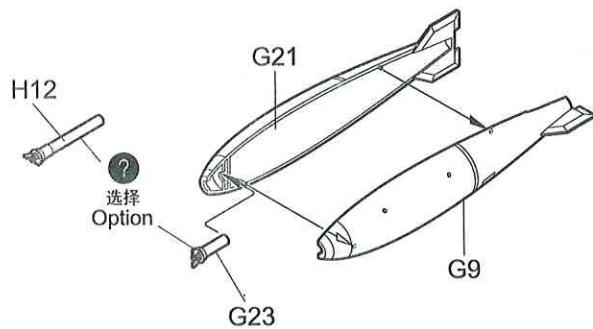
《MK.81》



《制作6组》
Make six

22

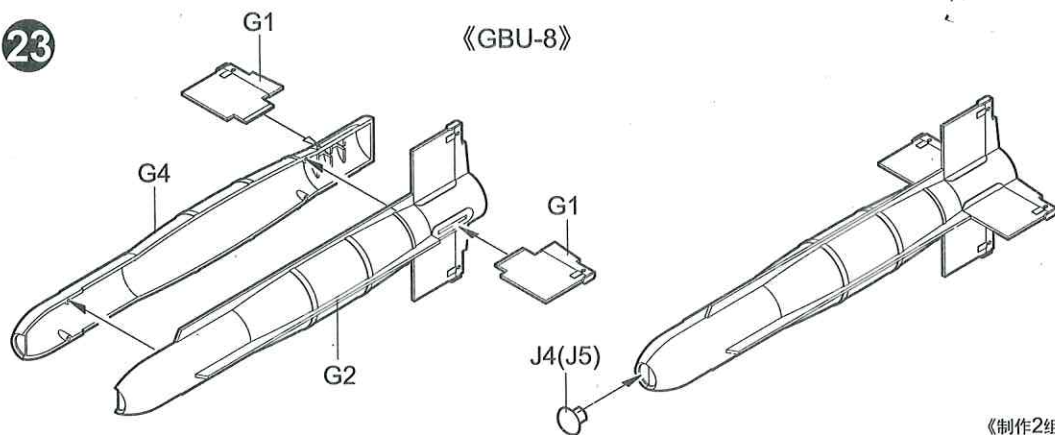
《M117》



《制作2组》
Make two

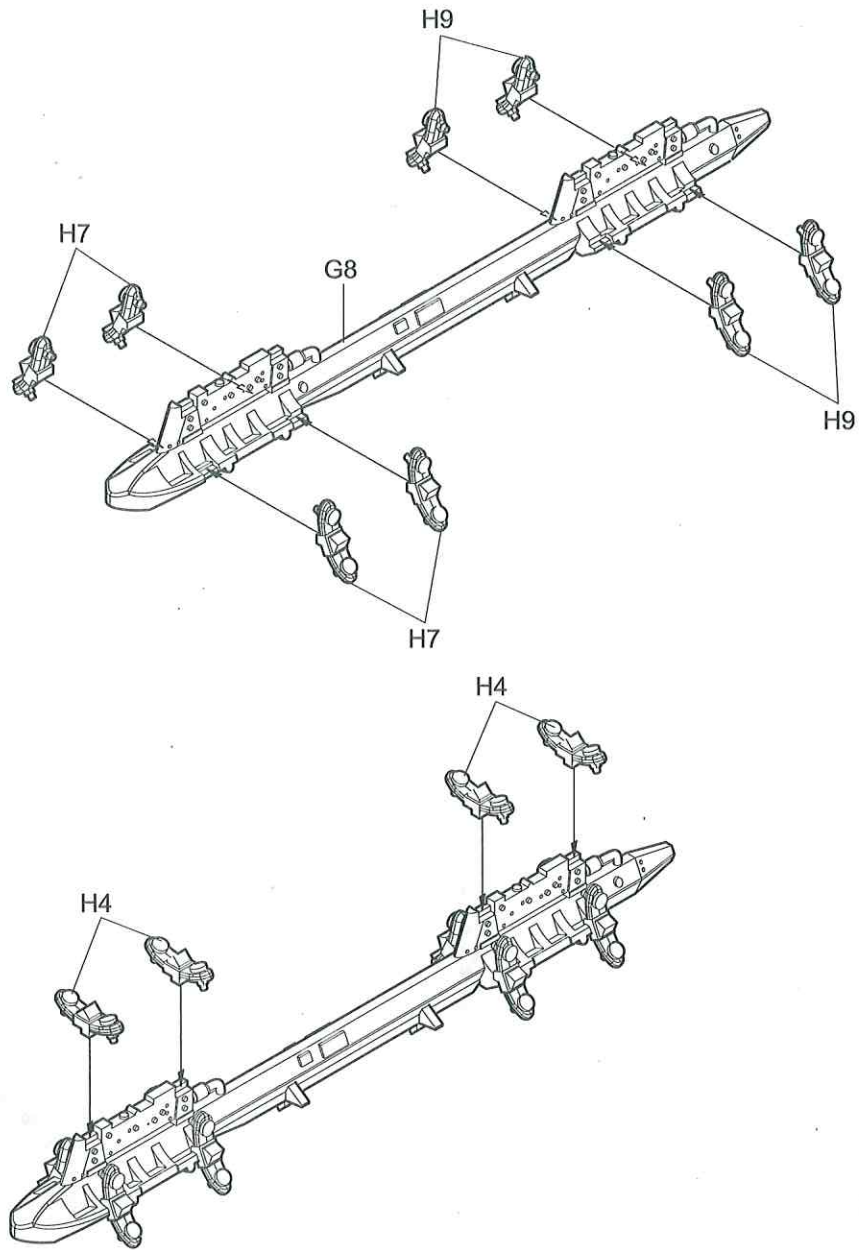
23

《GBU-8》



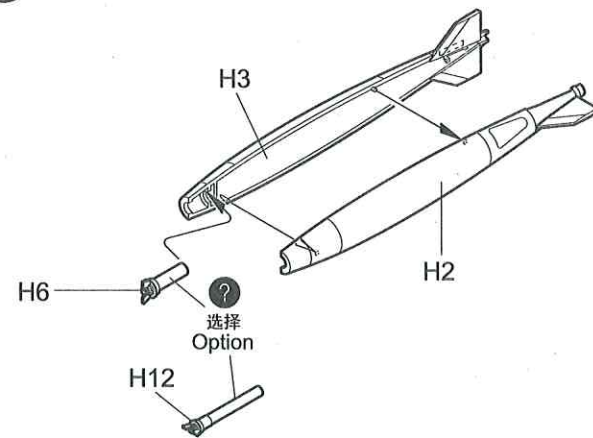
《制作2组》
Make two

25

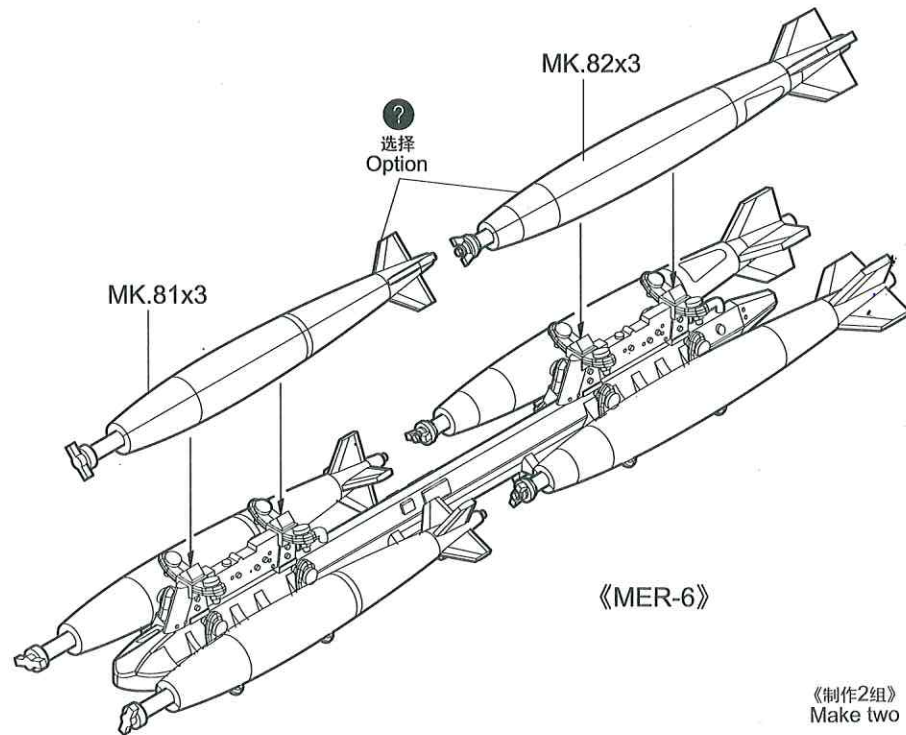


24

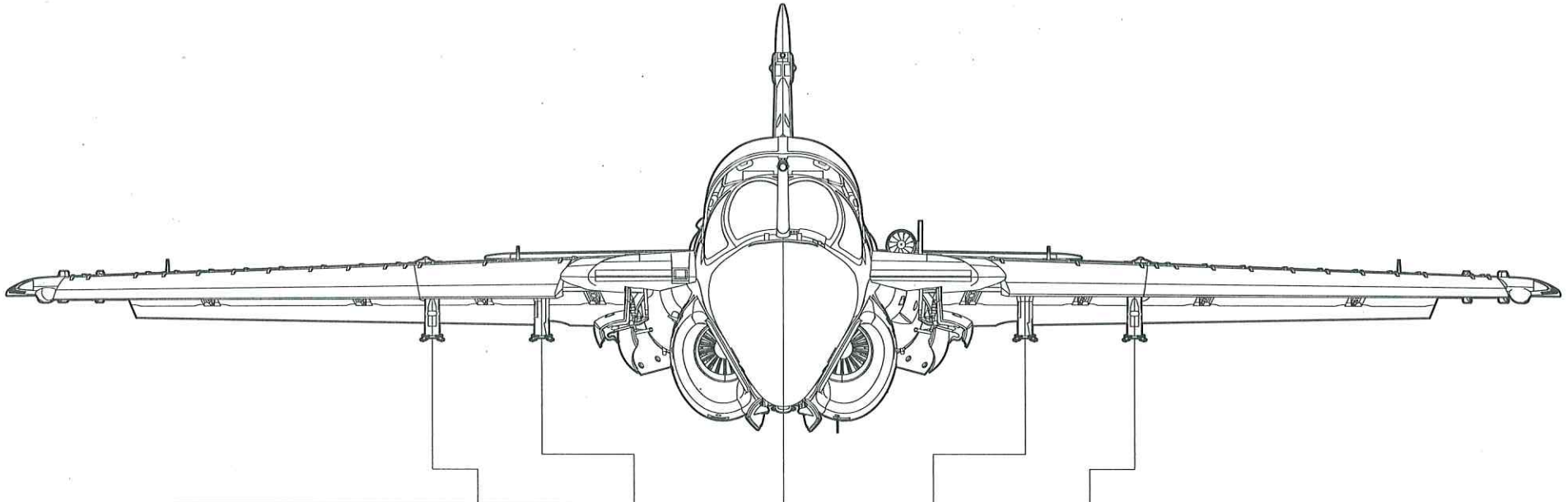
《MK.82》



《制作6组》
Make six

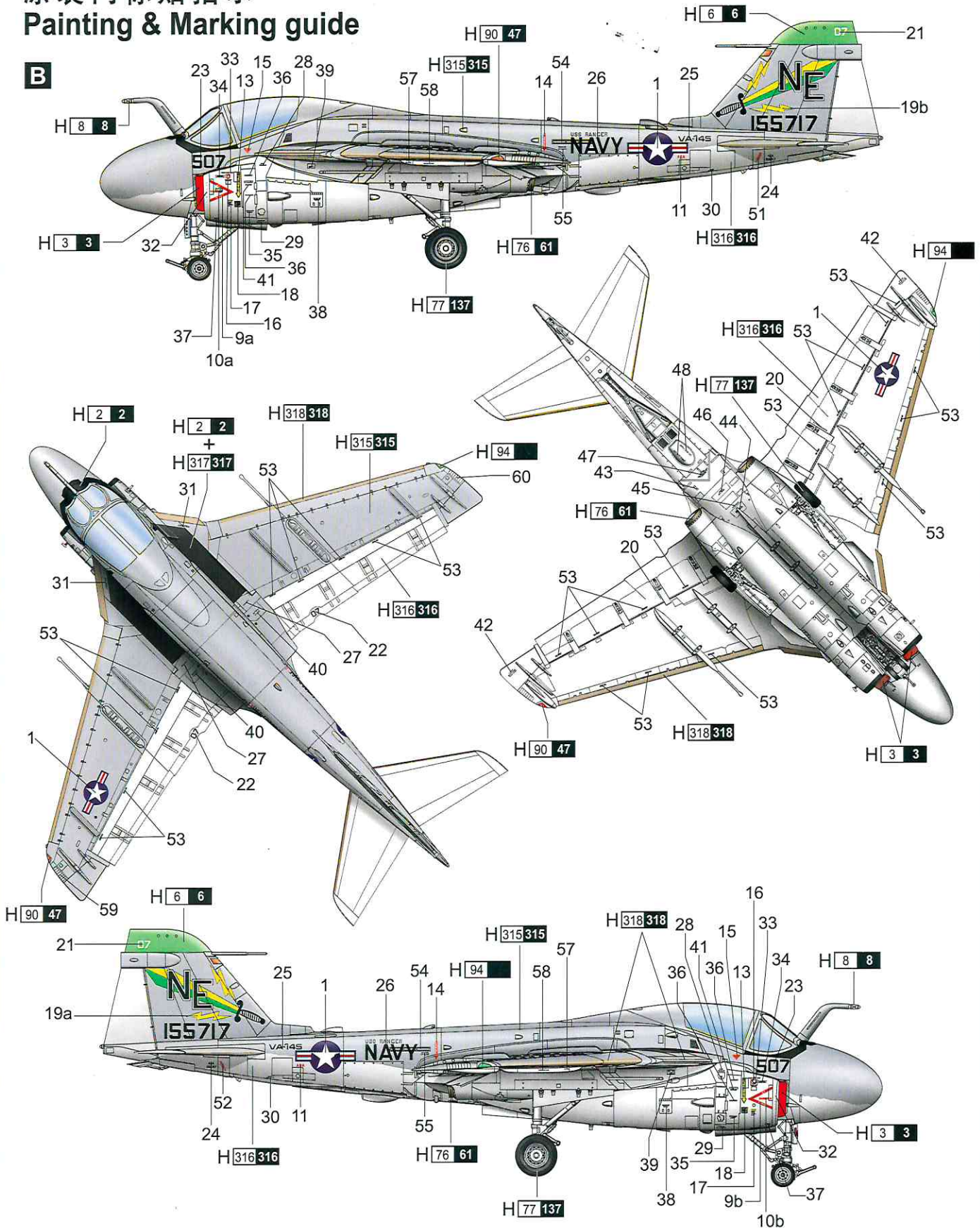


《制作2组》
Make two



Sta.No.	1	2	3	4	5
Weapon/Tank					
Center line fuel tank			•		
Side fuel tank		•		•	
M117	•	•		•	•
MK.20	•	•		•	•
MK.81	•••	•••	•••	•••	•••
MK.82	•••	•••		•••	•••
GBU-8	•	•		•	•
MER-6	•	•		•	•

涂装同标贴指示 Painting & Marking guide



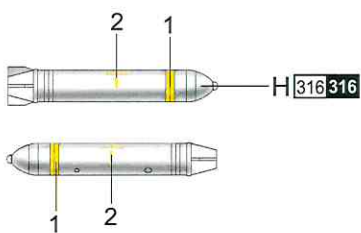
PAINT REFERENCE COLOR

Color	Mr.Hobby	Acrycion	Vallejo	Model Master	Tamiya	Humbrol	Color	Mr.Hobby	Acrycion	Vallejo	Model Master	Tamiya	Humbrol
Red 红色	H 3 3	N 3	908	1503	X7	19	Clear Red 透明红	H 90 47	N 90	934	—	X27	—
Silver 银色	H 8 8	N 8	997	1546	X11	11	Clear Green 透明绿	H 94	N 94	936	—	X25	—
Radome 整流罩色	H 318 318	N 318	917	1709	—	148							

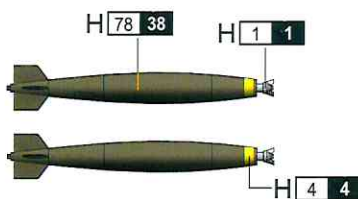
H☐ AQUEOUS HOBBY COLOR ☒ Mr. COLOR N☐ ACRYSION COLOR

涂装同标贴指示 Painting & Marking guide

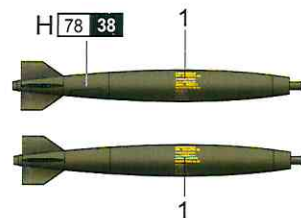
MK.20 x8



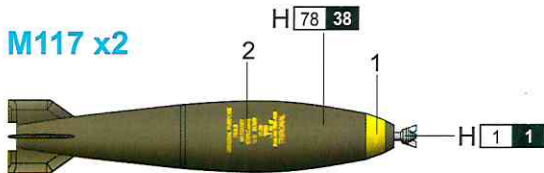
MK.81 x6



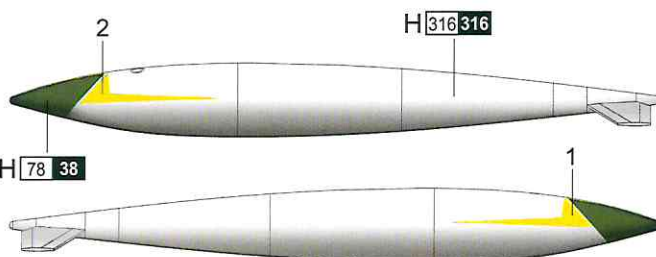
MK.82 x6



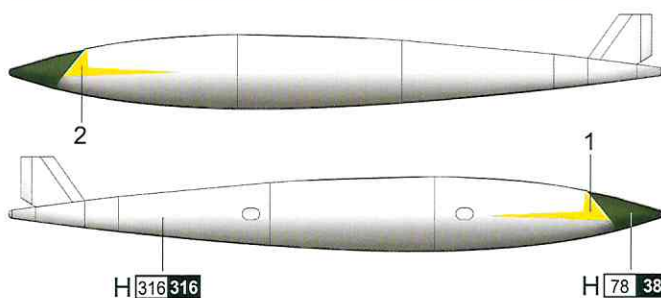
M117 x2



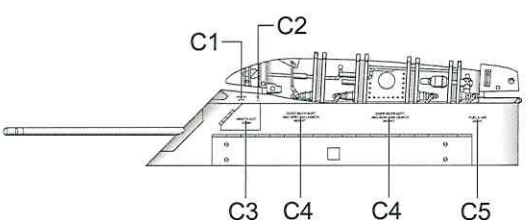
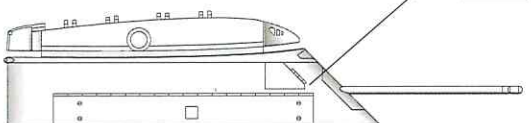
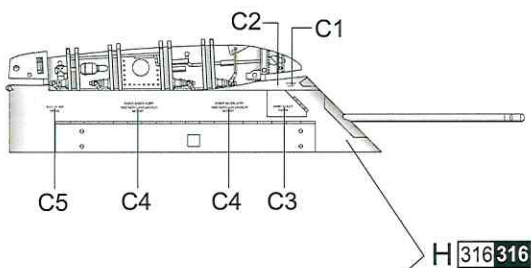
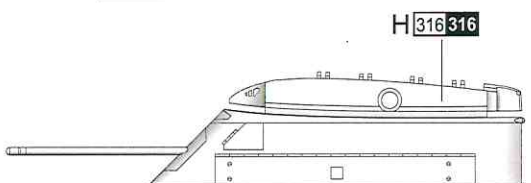
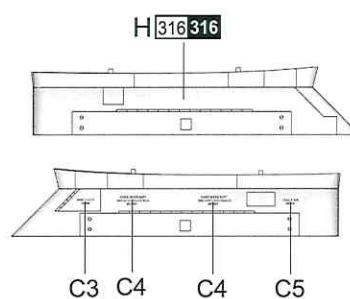
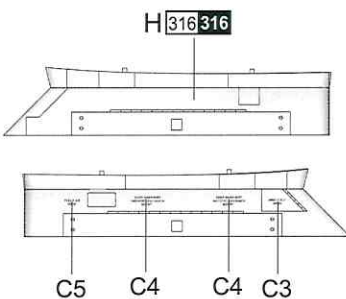
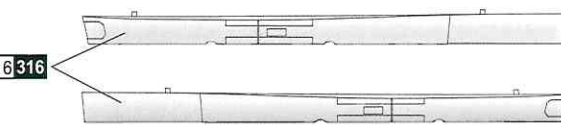
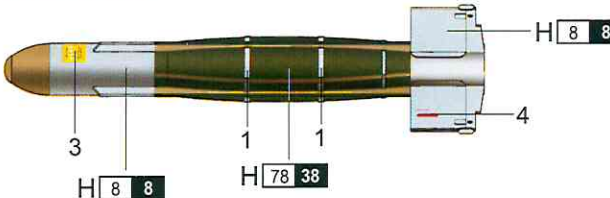
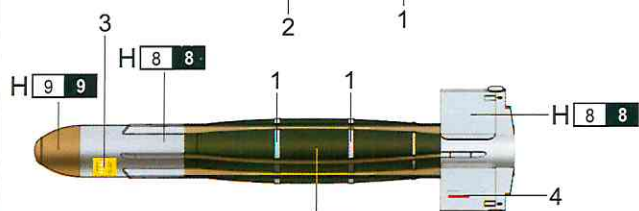
※ Center line fuel tank 【For Painting B only】



※ Side fuel tank x2 【For Painting B only】



GBU-8 x2



PAINT REFERENCE COLOR

Color	Mr.Hobby	Acrycion	Vallejo	Model Master	Tamiya	Humbrol
Silver 银色	H 8 8	N 8	997	1546	X11	11
White Insignia 白色	H 316 316	N 316	991	1745	X2	22
Olive Drab(2) 橄榄(2)	H 78 38	N 78	950	-	-	-
Gold 金色	H 9 9	N 9	878	1744	X12	16
White 白色	H 1 1	N 1	842	1745	X2	22
Yellow 黄色	H 4 4	N 4	953	1514	X8	69

H ☐ AQUEOUS HOBBY COLOR ☒ Mr. COLOR N ☒ ACRYSION COLOR