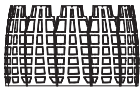
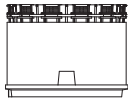


DETAILS AFTER REMOVAL FROM SPRUES

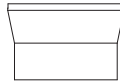
 USE A SAW TO REMOVE SUPPORTS
FROM 3D PRINTED PARTS



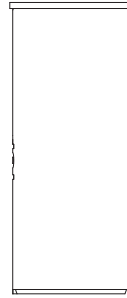
R1 X2



R2 X2



R3 X2



R5 X2



R4 X2

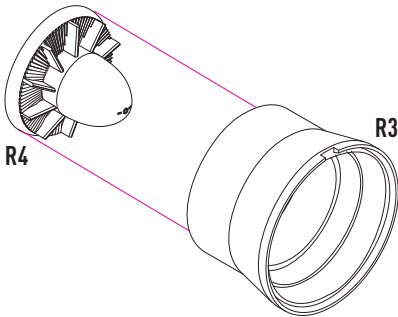


R7 X2

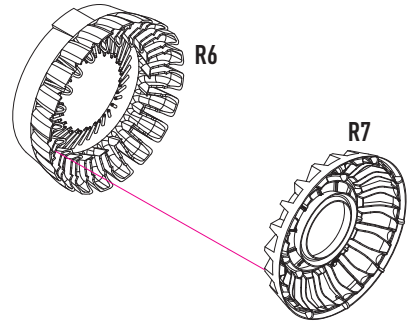


R6 X2

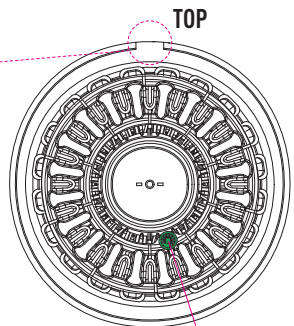
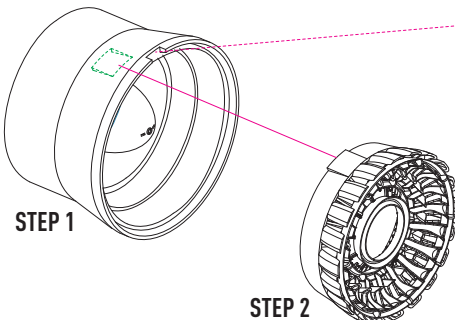
1 X2



2 X2

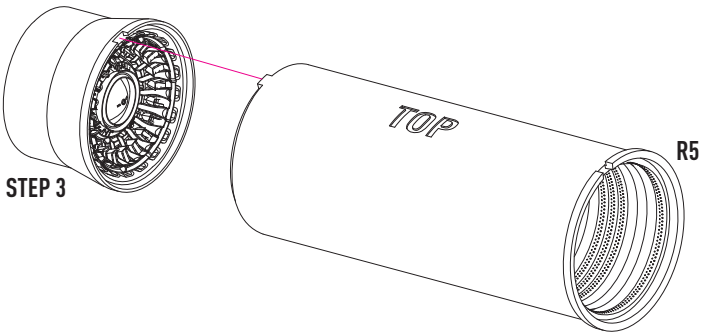


3 X2

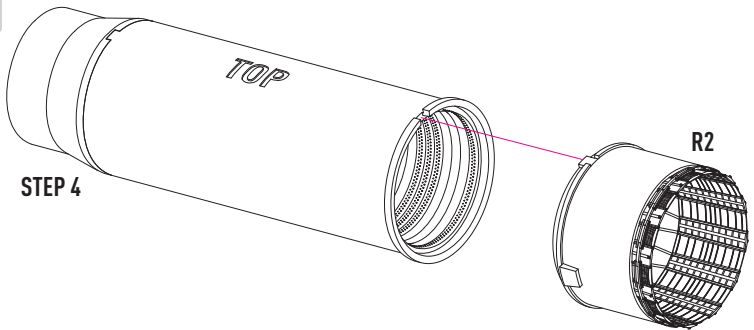


CORRECT PART R7 POSITION

4 X2



5 X2



6 X2

