

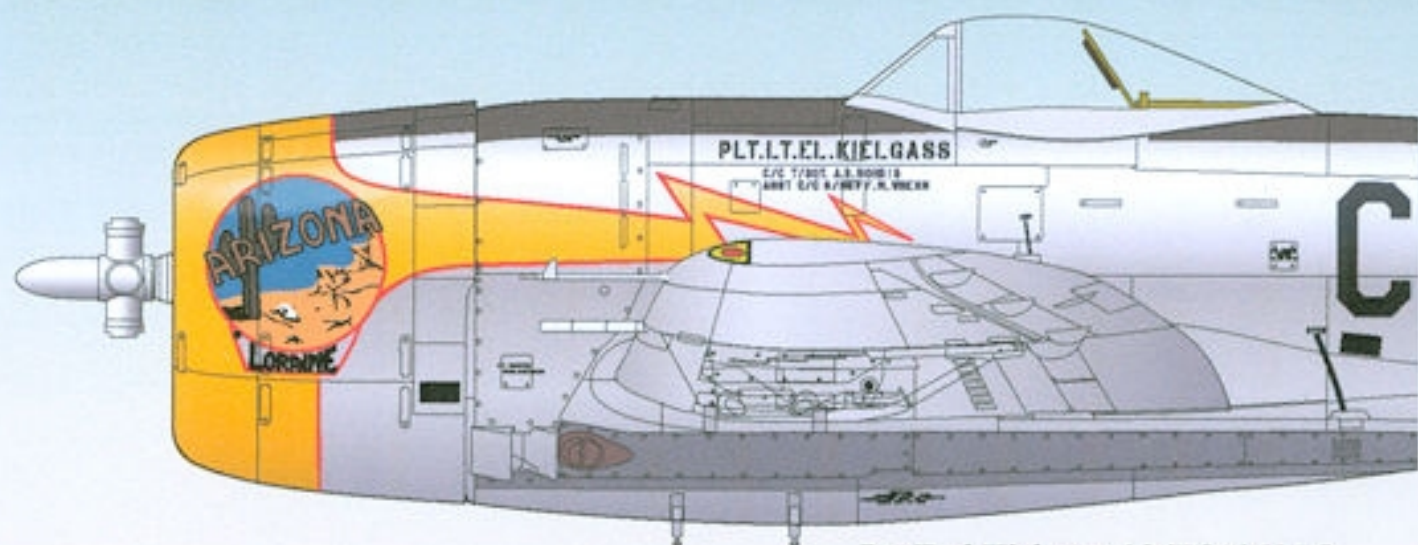
Lifelike Decals

Limited Edition!

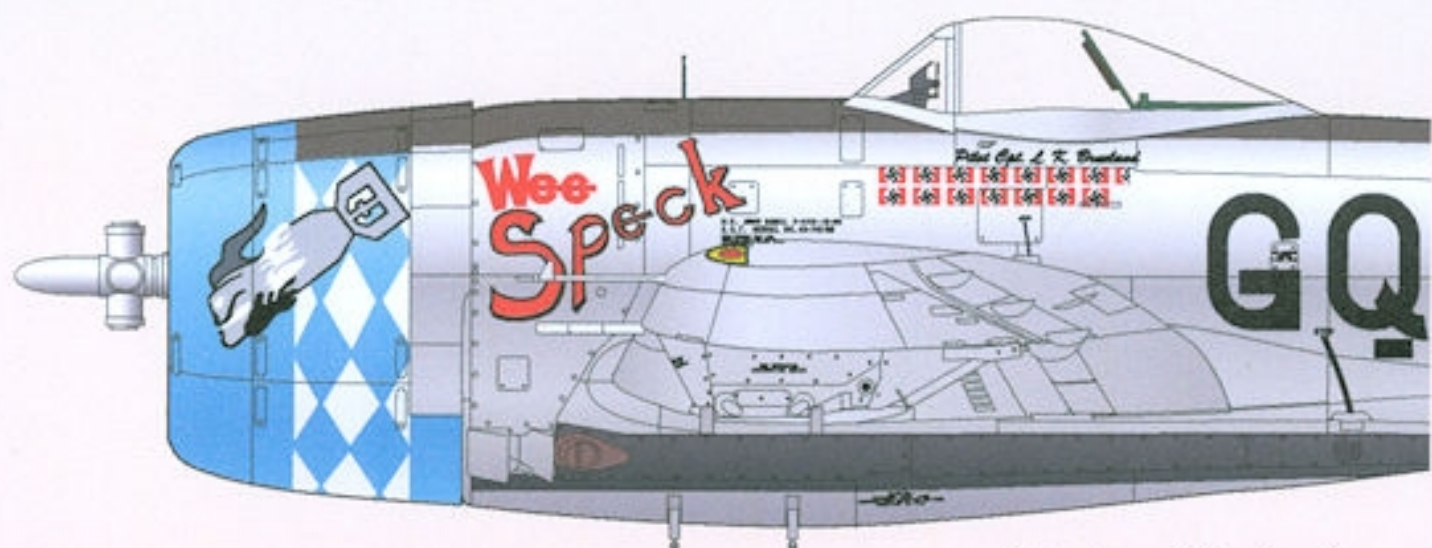
32-007

P-47D Thunderbolt

Best selection Part 2



Lt. Earl Kielgass, 396FS, 368FG



Capt. Lowell Brueland,
355th FS/354th FG

Recommended kits: Hasegawa P-47D series kits

Lifelike Decals wants to hear from you and your input.

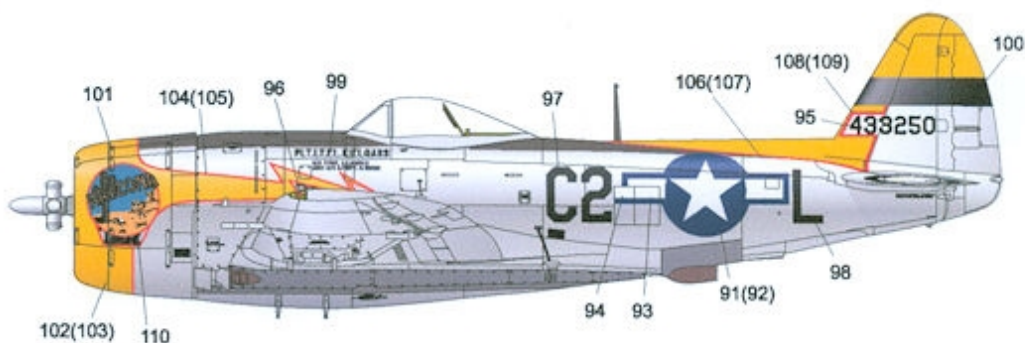
Fax: +81-743-73-5526, e-mail: lifelike_d@kcn.jp

<http://lifelikedecals.sakura.ne.jp>

A/C #1

P-47D-30-RA, 44-33250, flown by Lt. Earl Kielgass, 396FS, 368FG, Chievres/Belgium, November 1944.

This unit adorned their Thunderbolts in one of the most colorful way with its nose, cowl-flash (lightning bolt) in the squadron color and fin/rudder tip in yellow with a black band beneath. The initial marking of Arizona Loraine is shown in ref. 1, and the more elaborate nose marking provided here is shown by the photo in ref. 2 (taken from a 16mm film now owned by his son). The overall marking of this A/C is shown by the two paintings, one by Mr. Robert St. Vincent and another by Mr. Jim Foster, which are almost identical. The former painting was once shown on the 368FG website (www.368thfighter.com/), and the latter paint-



ings well as the crew's names is provided to us by Mr. Dennis Kielgass, the son of the pilot. In the photo some dark color is shown to be between antiglare and yellow flash, but check of other frames of the film by Dennis confirmed its non-existence. No photo is known

to show the right side marking. Though without kill marks, this is one of the gaudiest markings ever applied to P-47. Lt. Kielgass passed away in December 2003.

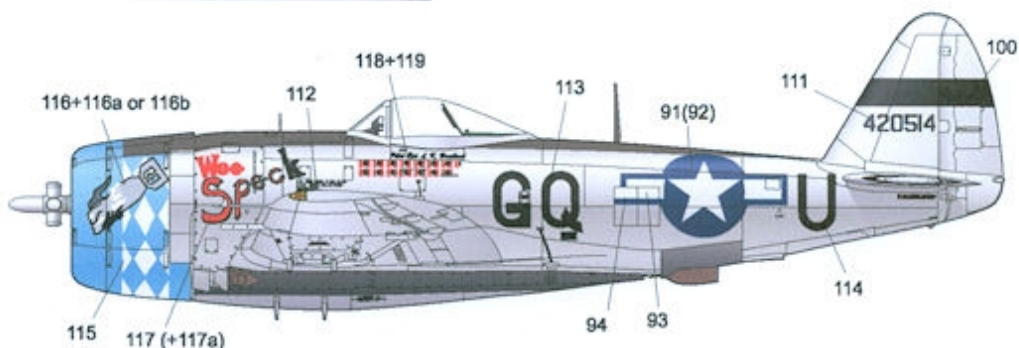
Special thanks to Mr. Dennis Kielgass and Mr. Tim Grace for their information.

A/C #2

P-47D-30 flown by Capt. Lowell Brueland, 355th FS/354th FG, Rosieres-en-Haye/ France, December 1944.

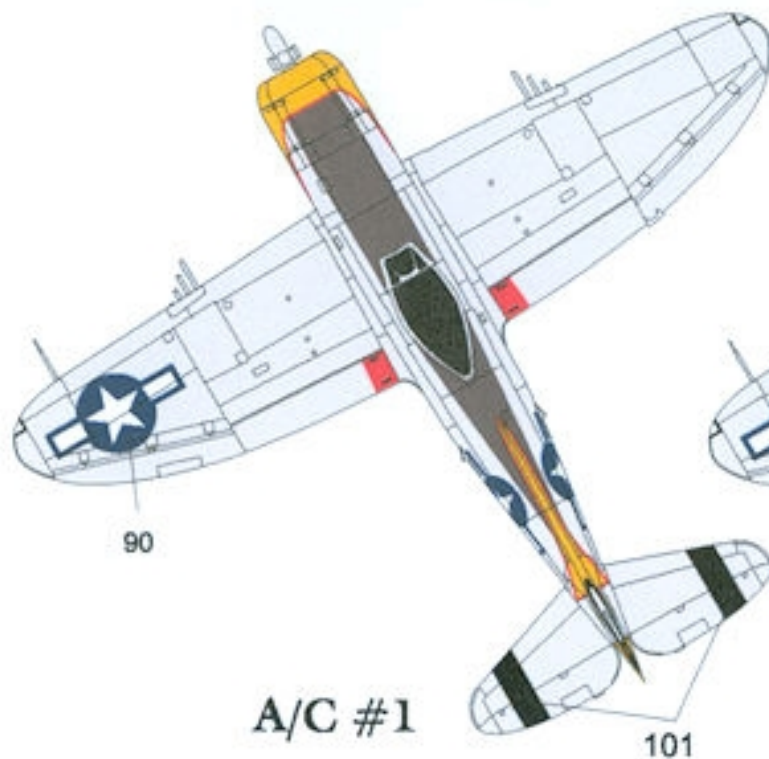
It is finished in the NMF overall with OD anti-glare and spoke-type wheel cover. The cowling of the 355th FS P-47 is painted in light blue (exact color not known) with white diamond checker.

The only photo available for this A/C is shown in ref. 3, and is illustrated in ref. 4 and 5. In contrast to the illustration in ref. 5, the photo clearly shows that the bomb mark on the cowling (unofficial Squadron emblem) is not black, but slightly darker than the light blue color. Happily another very good close-up photo of the emblem is supplied by Mr. Doug Gifford (author of ref. 4), and is shown on the right. There is no information on its color, but we think bomb fuselage is probably light gray with white muffler (?) and dark gray (or red) cap with black shark-like object on its belly. The style and position of this emblem differs slightly from A/C to A/C. This emblem might represent the gloomy sentiment of the Squadron with the change of its role (fighter to fighter-bomber) and A/C (P-51B to P-47).

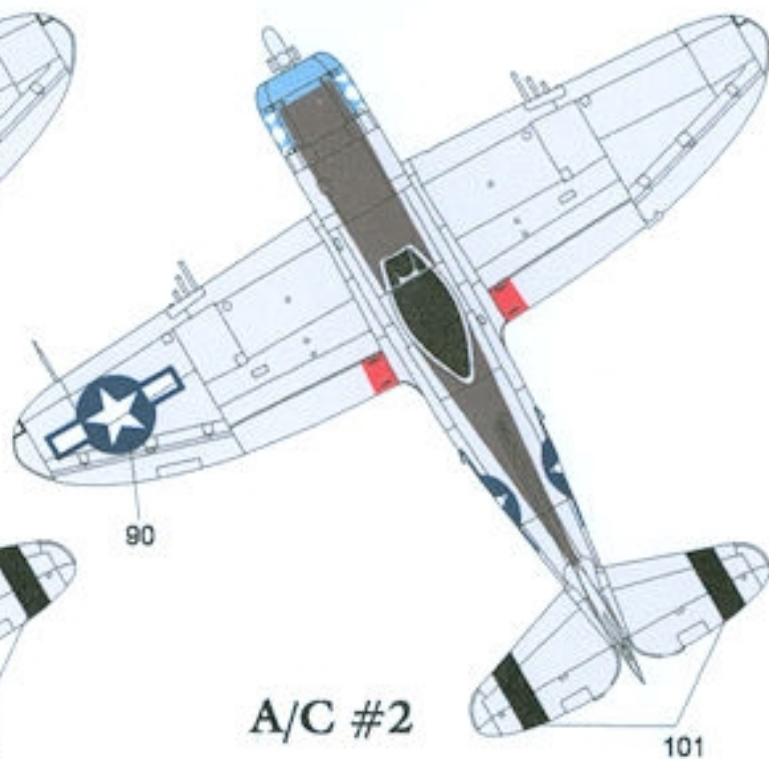


resent the gloomy sentiment of the Squadron with the change of its role (fighter to fighter-bomber) and A/C (P-51B to P-47). The photo of ref. 3 also shows that (1) "Speck" is outlined/shadowed in black, while Wee is not, and (2) the letter "k" is much darker than other letters (red) and quite similar to code letters (black). As it is rather strange that only "k" is black, many

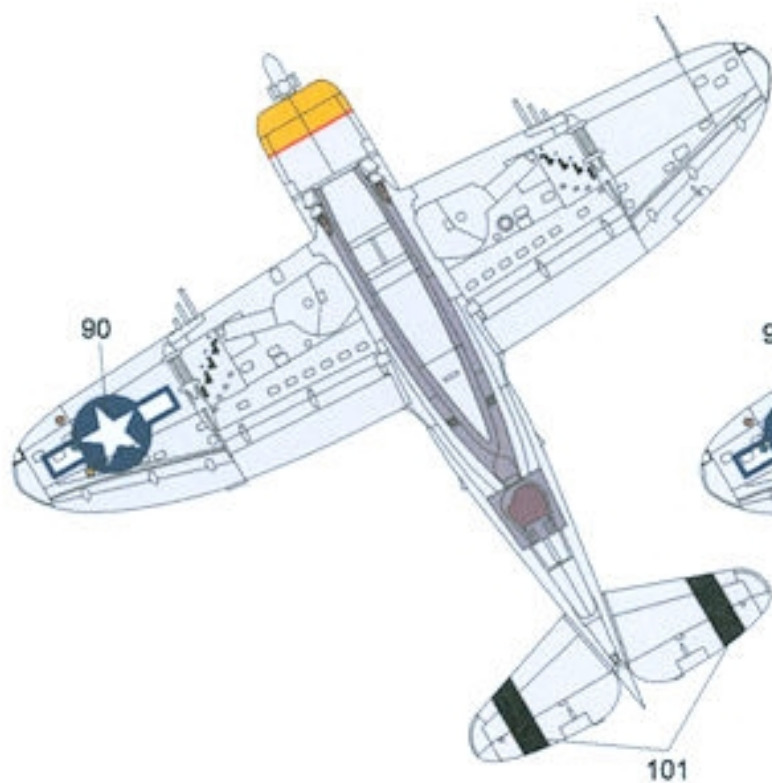
people (including ref. 5) think "k" is red with the shadow of the crew (standing on its right) superimposing. But the photo indicates that shadow of crew's right arm, waist and leg covers only the right portion of "k". We think "k" is black, so provide black "k" in the sheet. Capt. Brueland finished the war with 12.5 kills, 3 probables, 6 damaged, and added 2 further kills (MiG-15) in the Korean War.



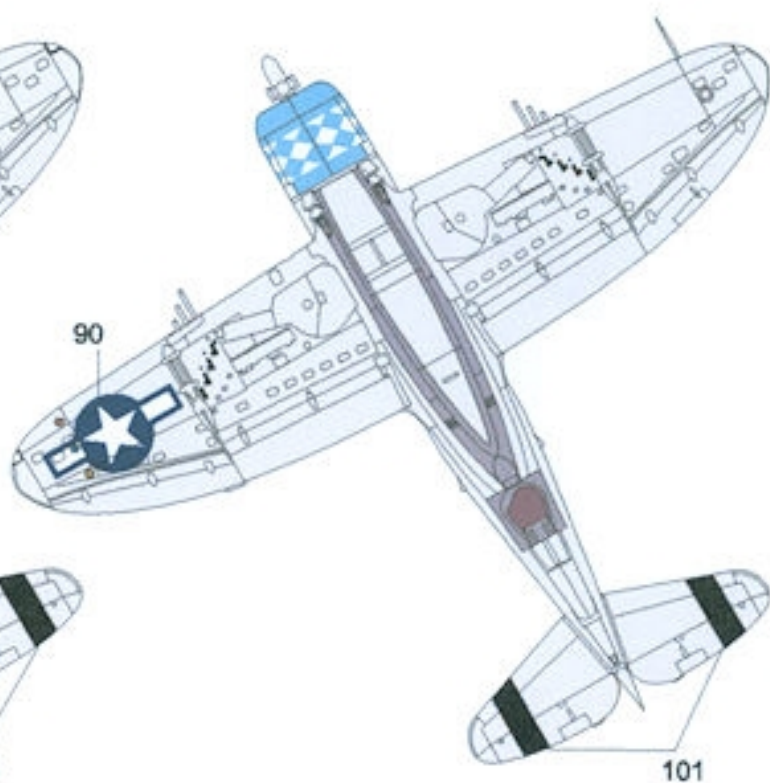
A/C #1



A/C #2



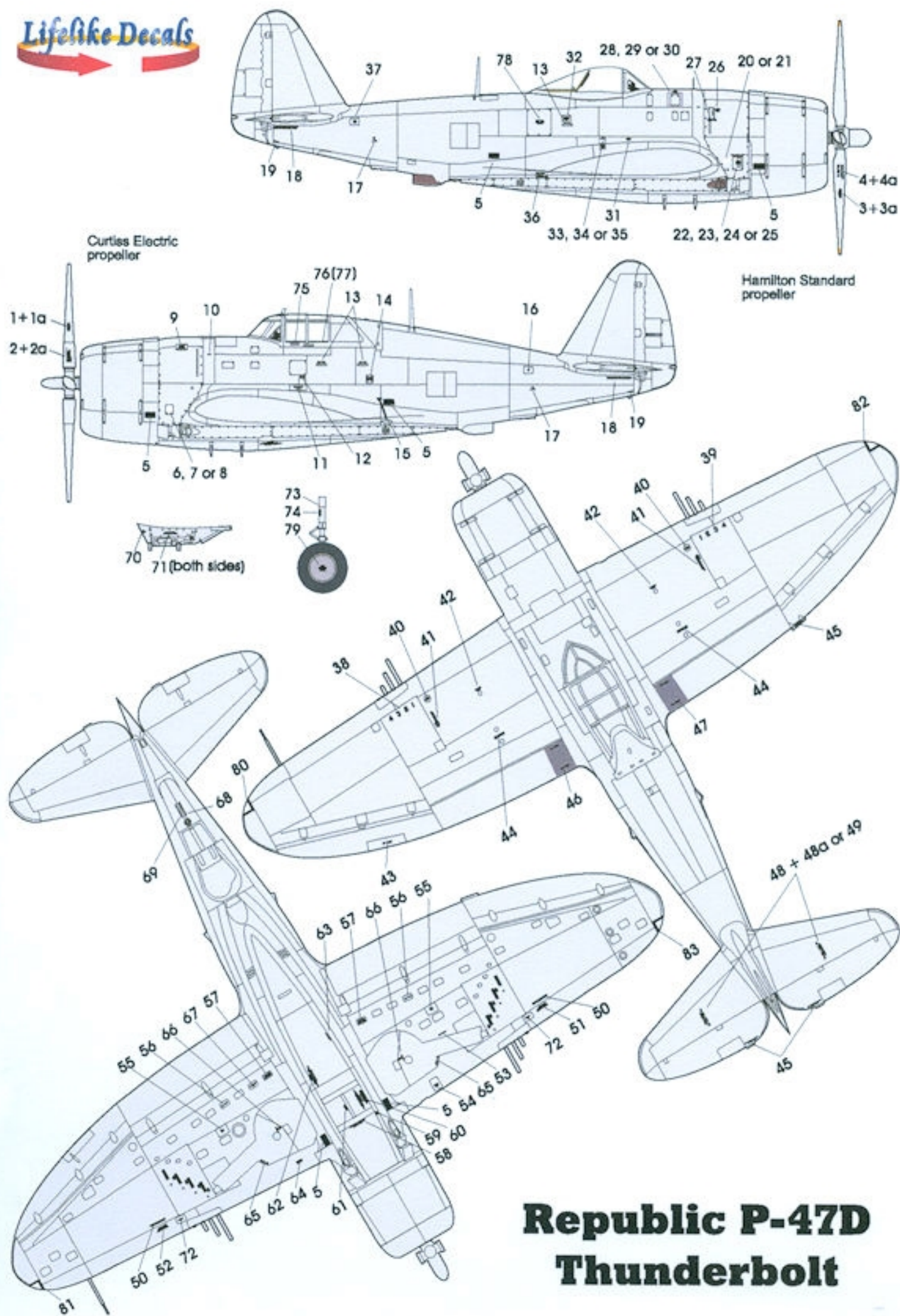
101



101

References:

1. War Paint (J & D. Campbell, Motorbooks International, 1990)
2. Talisman (J & D. Campbell, Schiffer Military History, 1992)
3. Aces & Wingmen (Danny Morris, Neville Spearman, 1972)
4. IPMS Journal Special Limited Edition, the 354th FG in WWII part 1 (W. Fink & D. Gifford, 1993)
5. Osprey Aviation Elite 7, 354th Fighter Group (W. Hess, Osprey Publishing, 2002)



**Republic P-47D
Thunderbolt**