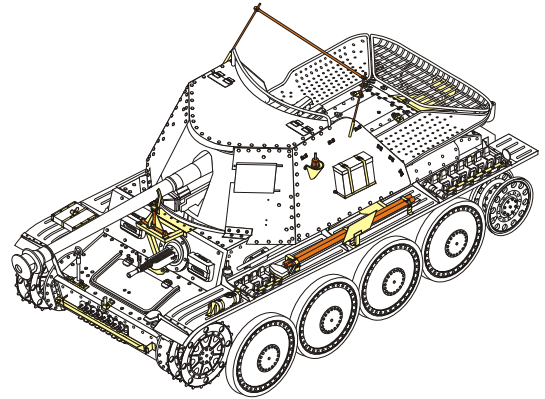


1/35 MILITARY MINIATURE VEHICLE UPGRADE SERIES PE35154

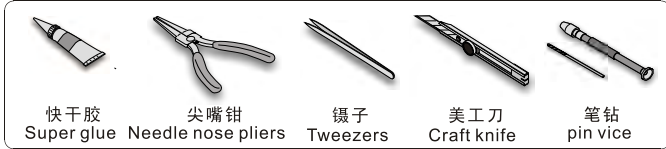
# WWII German Marder III H Basic

## 二战德军黄鼠狼III H型基本改造件

[For Trsitara 35030]



■ 推荐使用工具 RECOMMENDED TOOLS



↑ 安装  
install

↩ 折叠  
bend

**A1**  
改造件零件编号  
PE/resin part number

**B12**  
原零件编号  
kit part number

**C22**  
被替换的原零件编号  
replaced kit part number

↔ 另一侧相同制作  
repeat on opposite side

✂ 切除  
remove

🔪 打磨  
grind off

📏 弧度卷曲  
radial bending

✖  
制作若干组  
multiple assembly

↔ 选择安装  
alternative

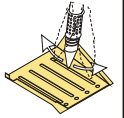
🔧 钻孔  
drill

📏 用胶棒制作  
make from plastic rod

↓  
用尖端在凹槽处冲压  
use penpoint to press on the dent

📏 蚀刻片零件内侧面  
Put the part upside down

📏 用笔尖在凹槽处刻  
Use penpoint to press on the dent



**a**

**b**

**c**

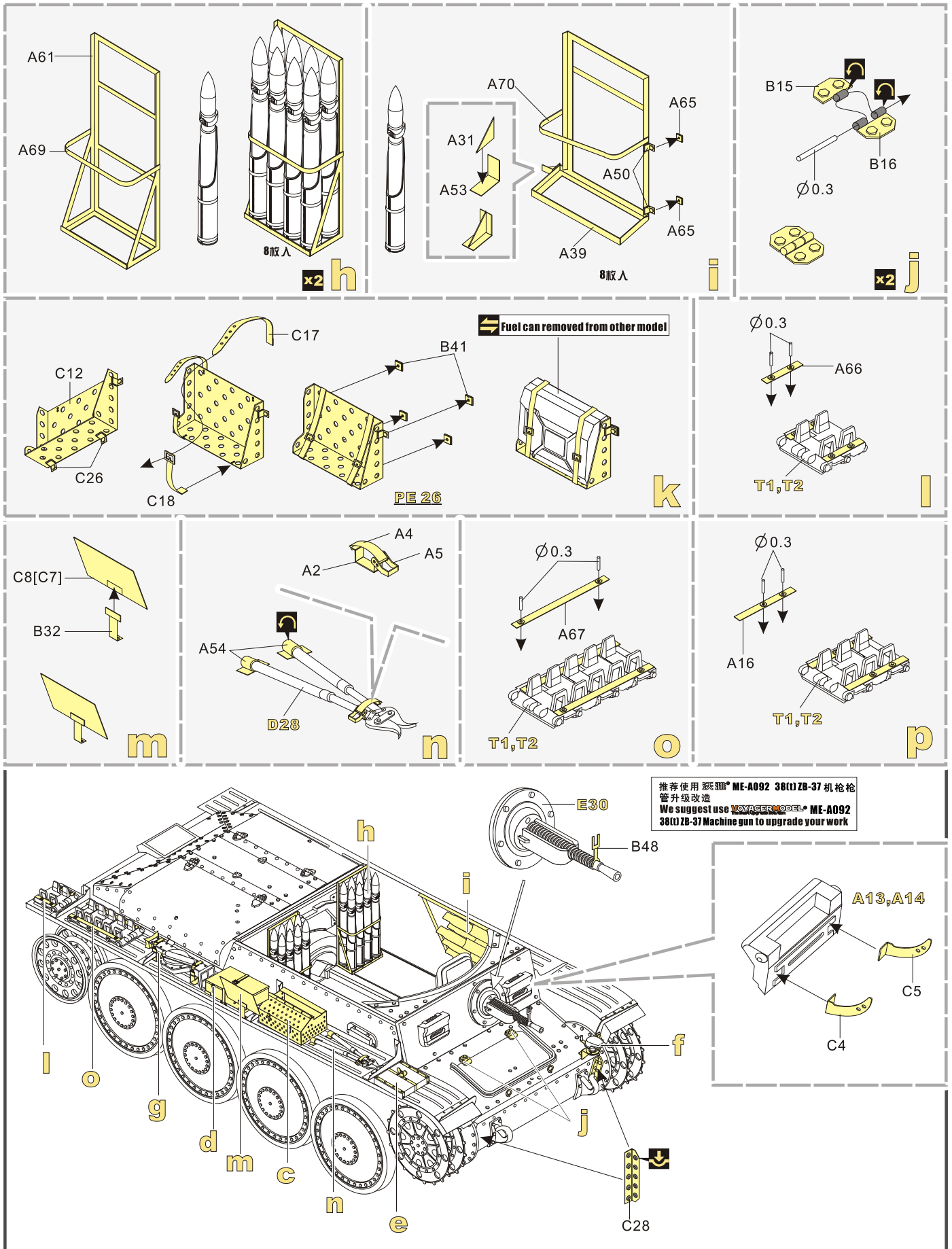
**d**

**e**

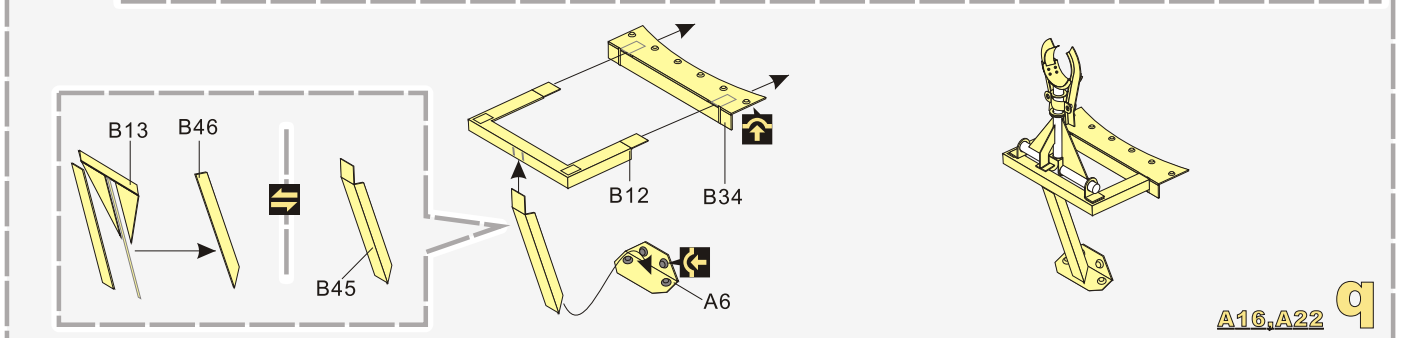
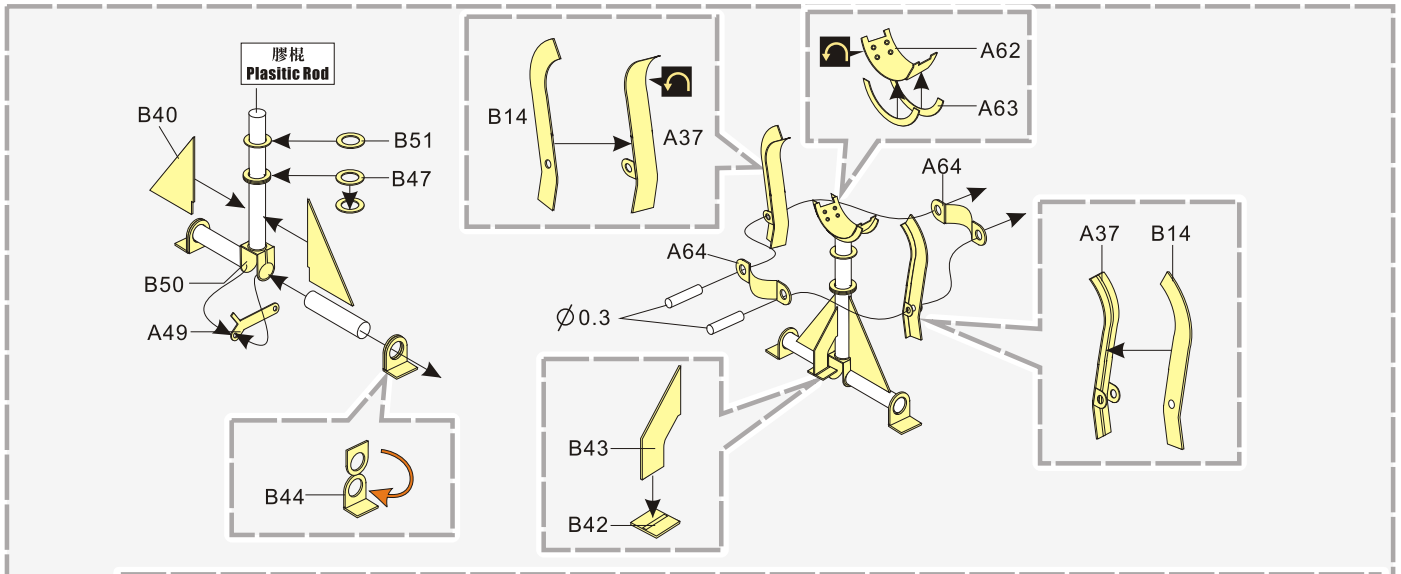
**f**

**g**

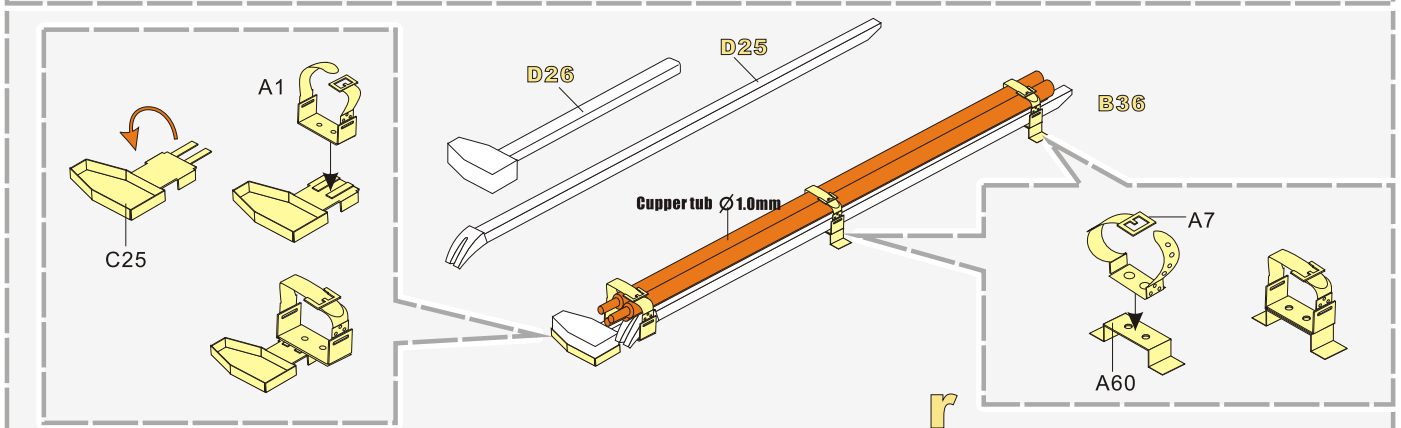
1/35 MILITARY MINIATURE VEHICLE UPGRADE SERIES PE35154



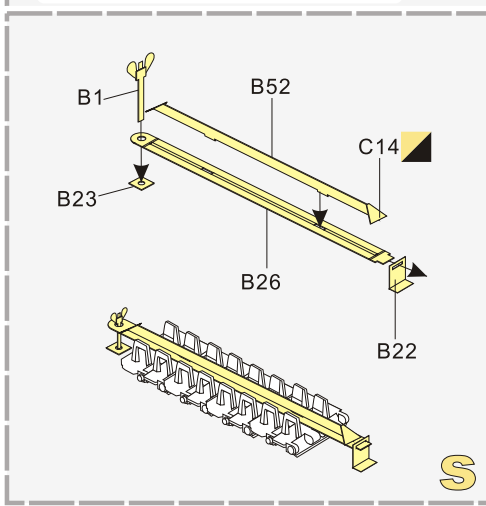
1/35 MILITARY MINIATURE VEHICLE UPGRADE SERIES PE35154



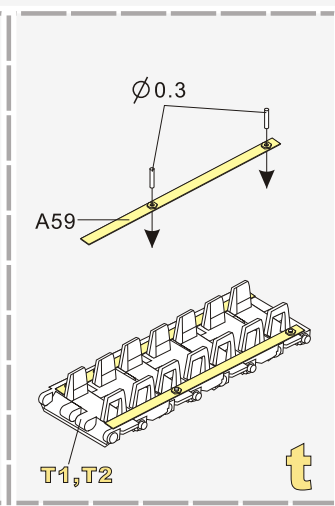
A16, A22 **q**



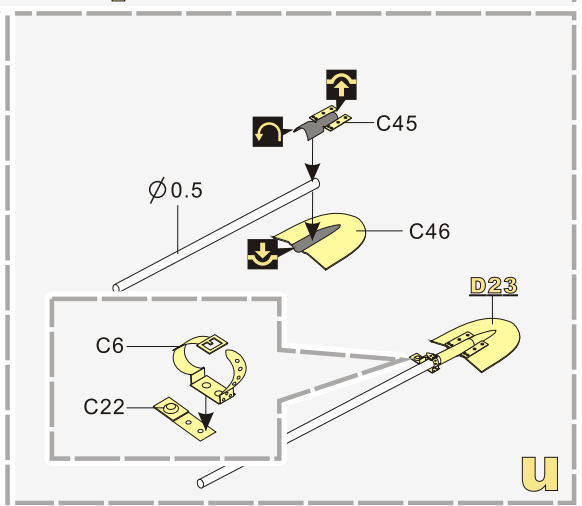
**r**



**s**

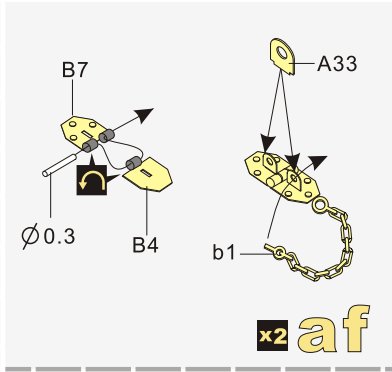
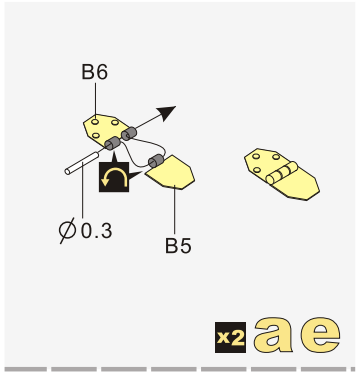
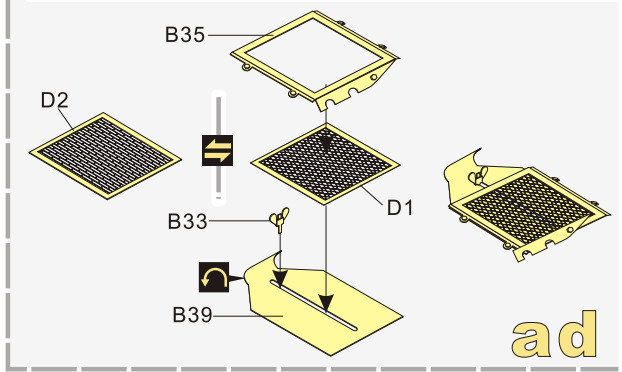
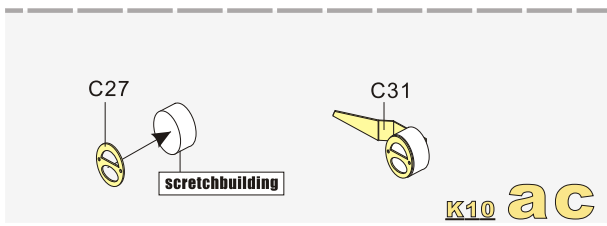
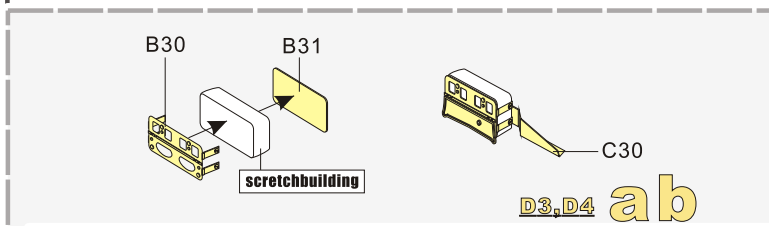
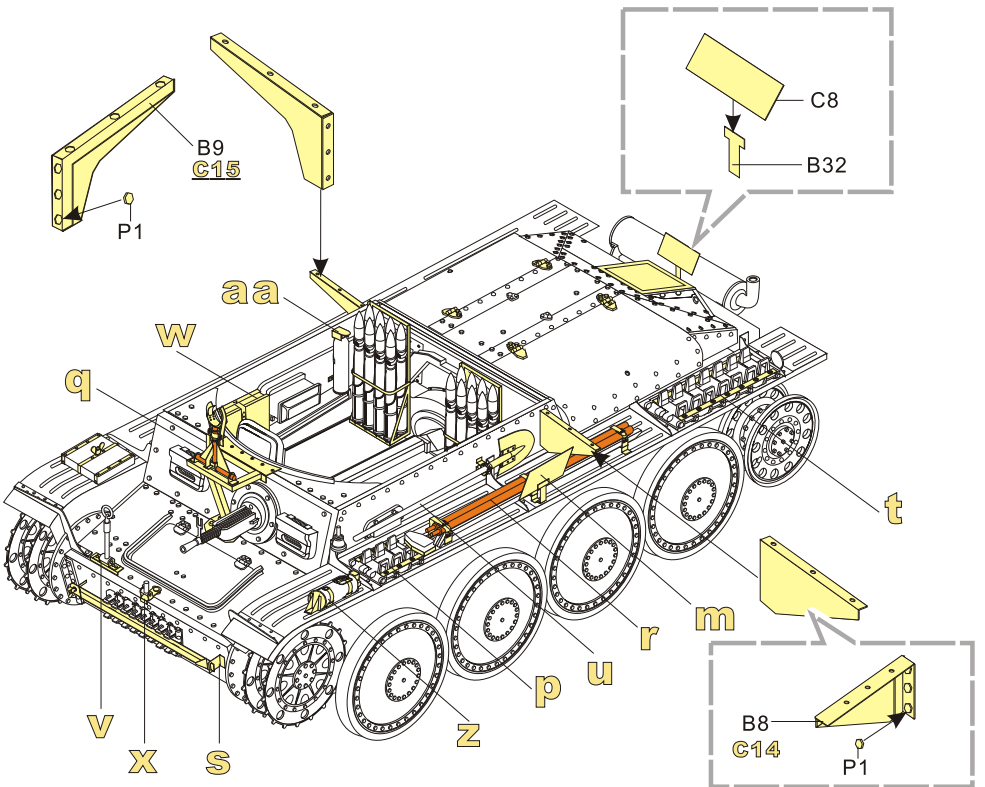
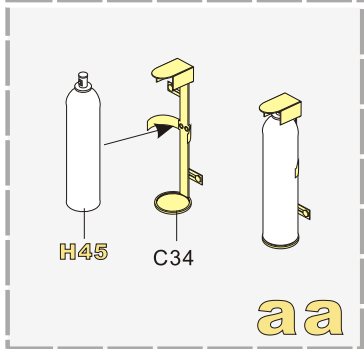
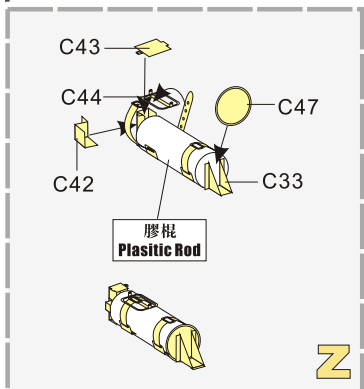
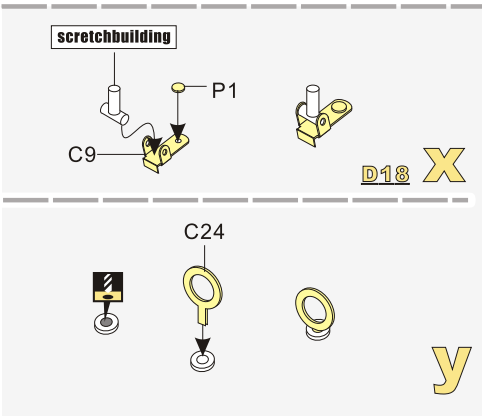
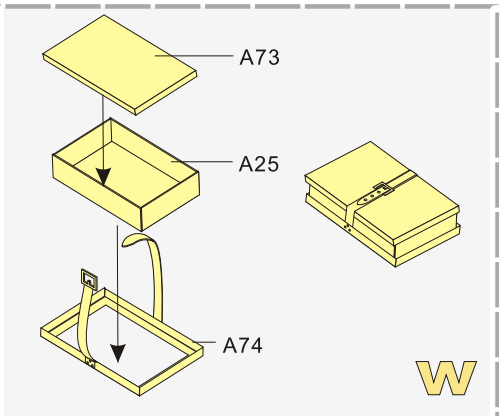
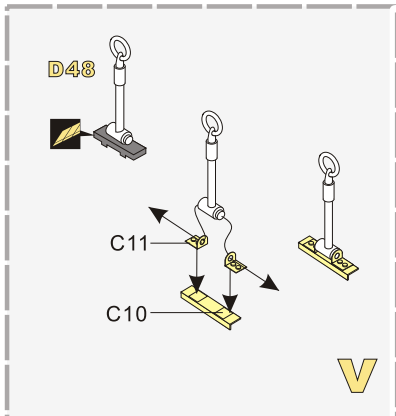


**t**

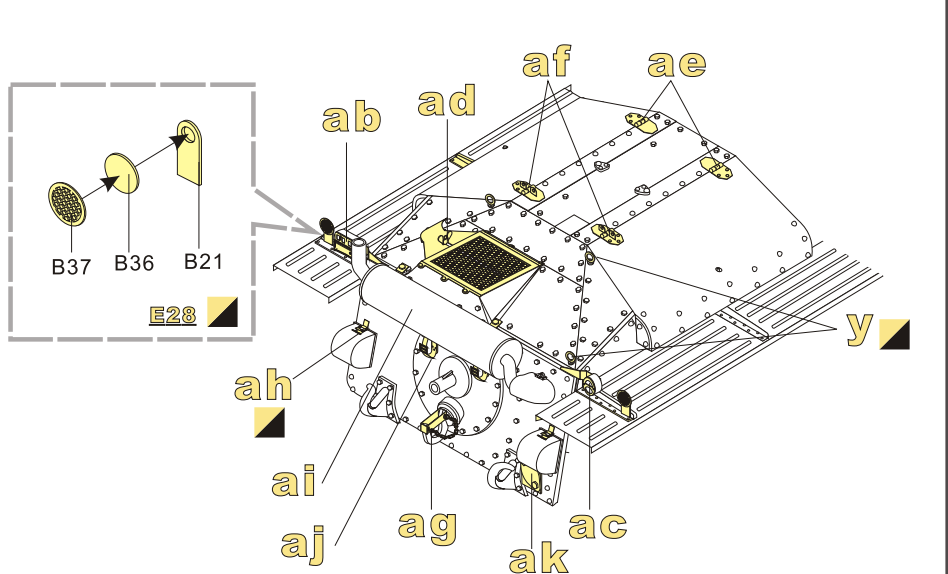
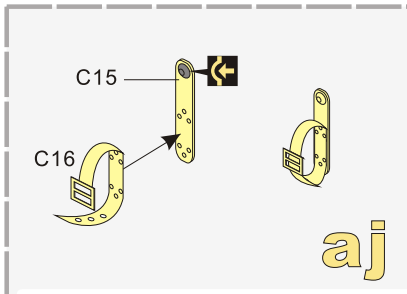
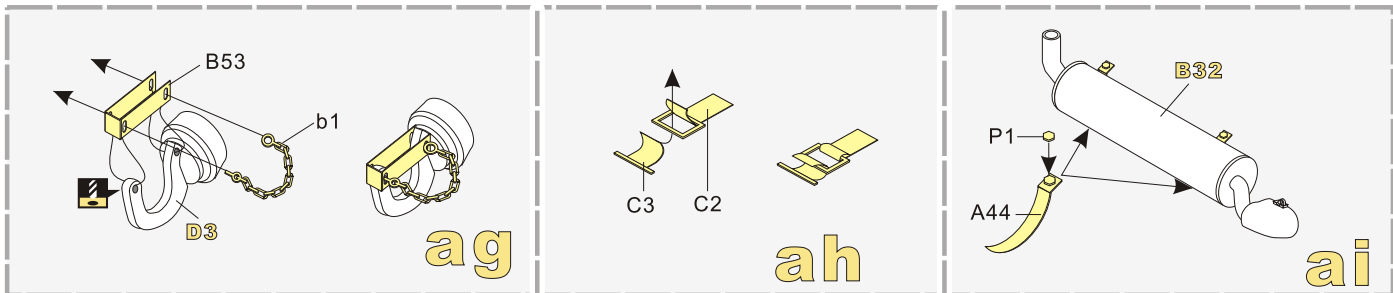


**u**

1/35 MILITARY MINIATURE VEHICLE UPGRADE SERIES PE35154



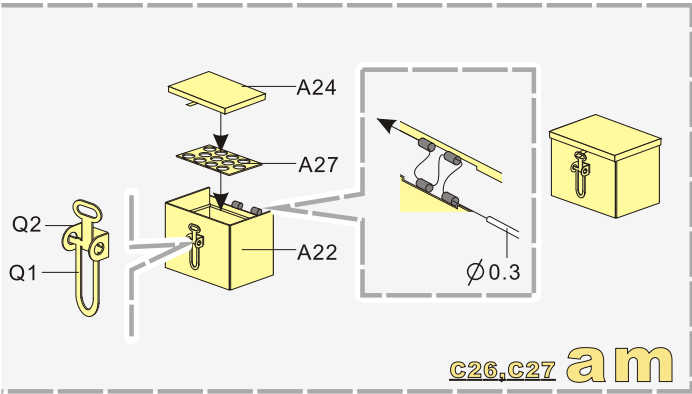
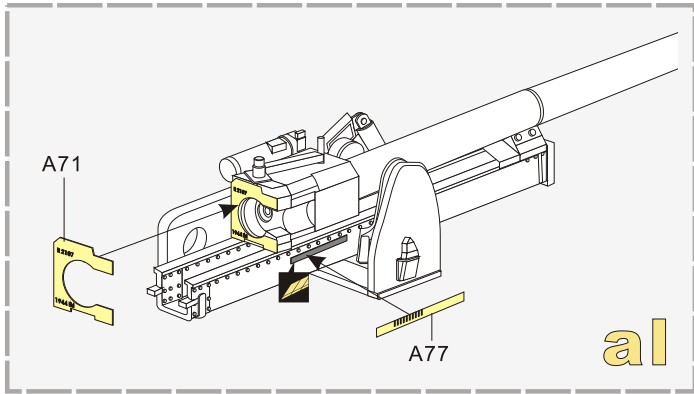
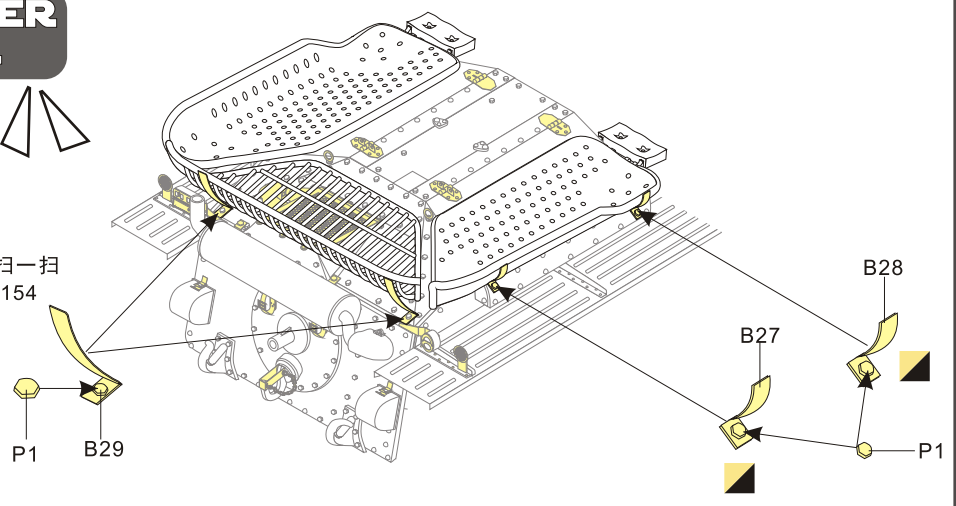
1/35 MILITARY MINIATURE VEHICLE UPGRADE SERIES PE35154



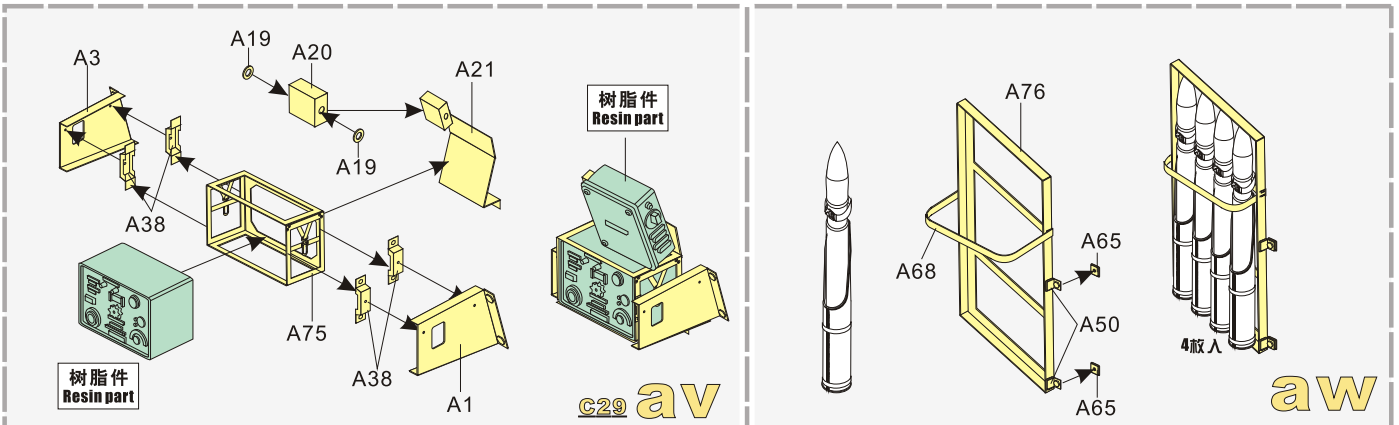
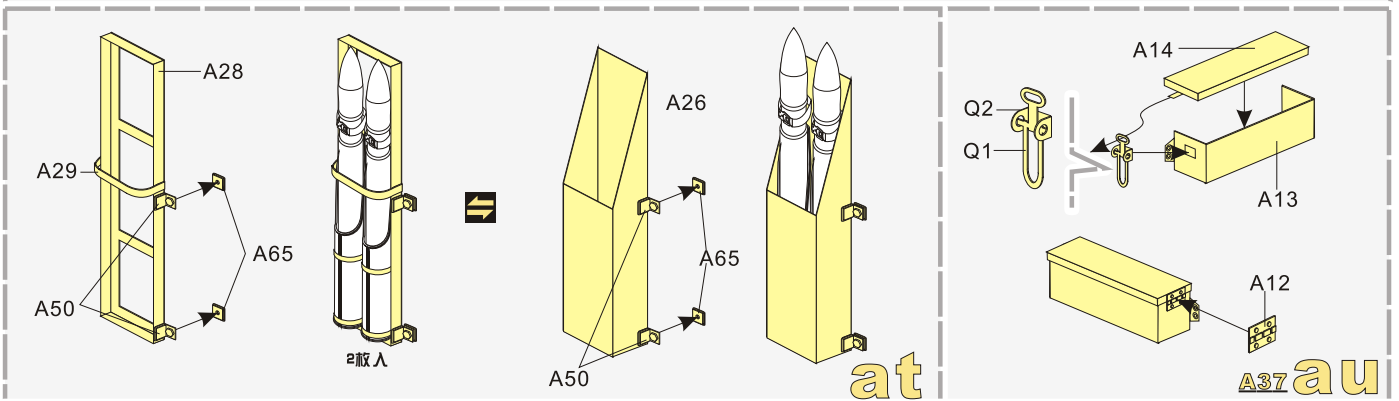
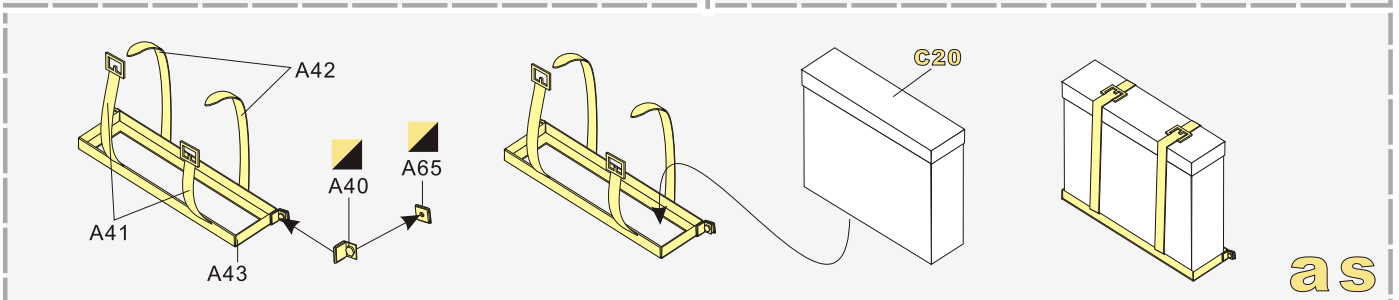
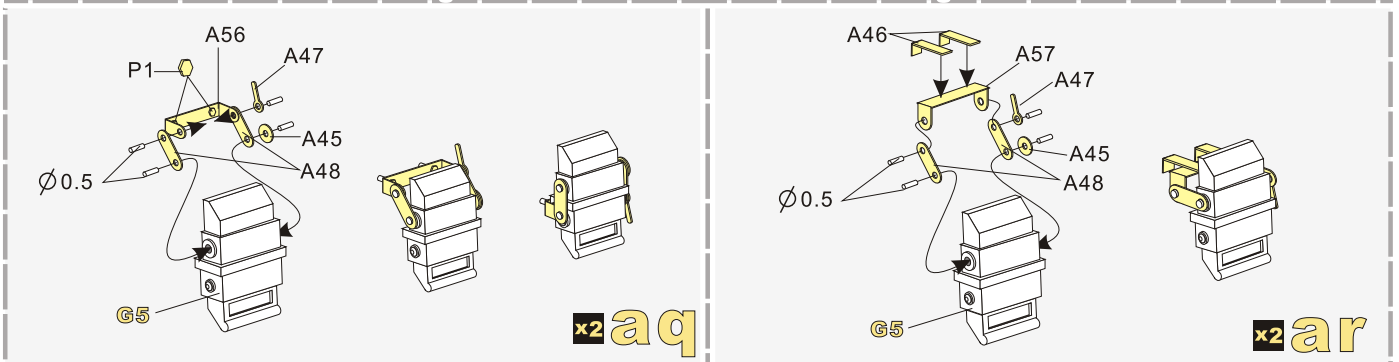
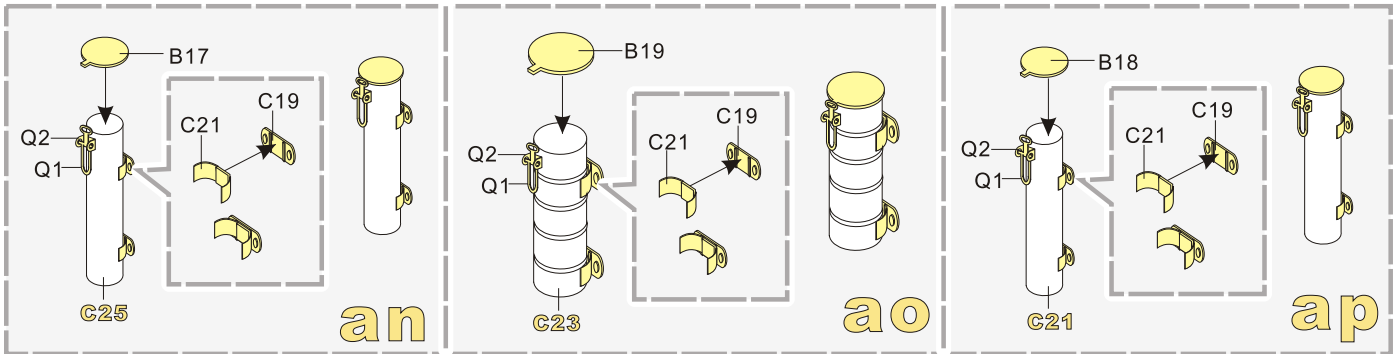
<http://www.voyagermodel.com/productdetails.asp?itemid=PE35154>



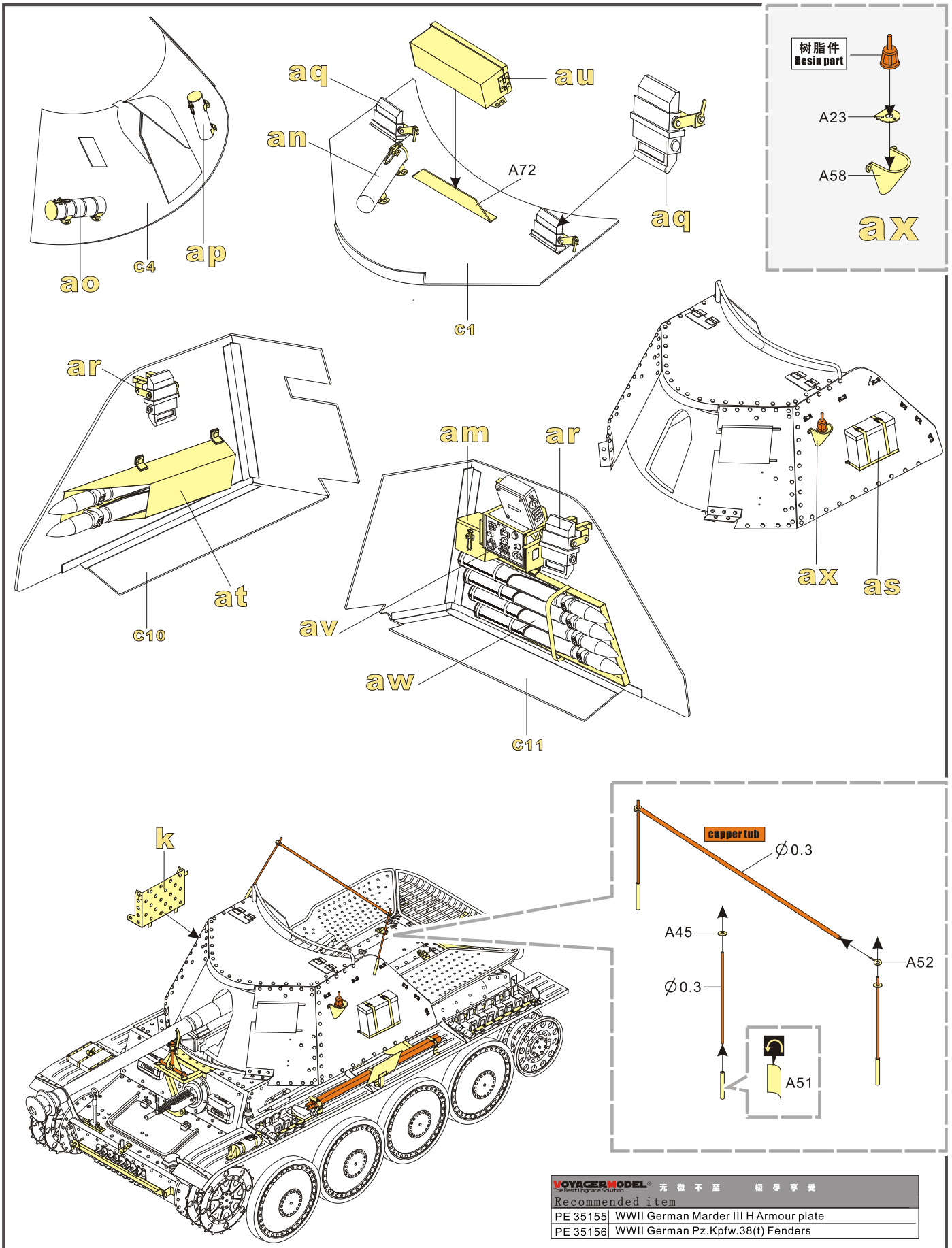
更多PE35154样品照片参考请扫一扫  
MORE PICTUER OF PE 35154  
REFERENCE SCAN HERE



1/35 MILITARY MINIATURE VEHICLE UPGRADE SERIES PE35154



1/35 MILITARY MINIATURE VEHICLE UPGRADE SERIES PE35154



**VOYAGERMODEL**<sup>®</sup> 无微不至 极尽享受  
The Best Upgrade Solution  
Recommended item  
PE 35155 WWII German Marder III H Armour plate  
PE 35156 WWII German Pz.Kpfw.38(t) Fenders