

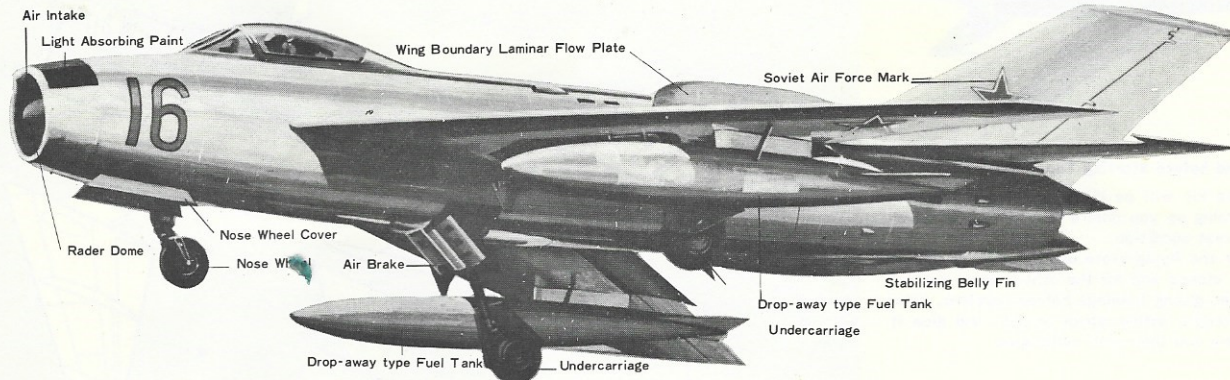
MIG-19 FARMER-E

MINI JET AIRCRAFT SERIES NO. 1

1/100 SCALE



KIT NO. PA1001



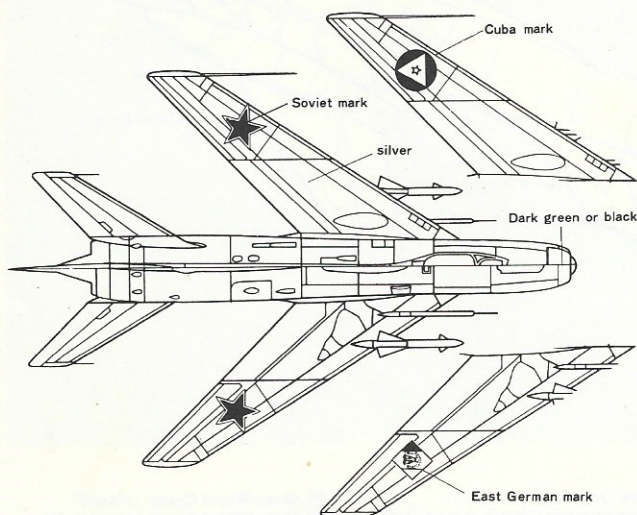
The MIG-19 fighter unexpectedly appeared in a 60-plane, big formation for the 1st time in 1956 at the Soviet Tsusino Air Show and leaped into fame at once. It was the 1st practical supersonic fighter for the Soviet Union and was produced by the famous Mikoyan designing team which perfected the MIG-15, active star fighter during the Korean war. Reportedly, this fighter's maiden flight was made in 1953 and ever since numerous remodelled types were produced. This kit is modelled on the "Farmer-E" type, so called by the NATO forces. It looks as an all-weather, interceptor-fighter type and is equipped with 4 AAMs (air-to-air missiles). At the front edge of its main wing of 58-degree sweep-back, there is fixed a boundary laminar flow plate. However, its most prominent feature is a pair of small klimov RD-9F turbojet engines of 3.2t thrusting power each, attached with an after-burner and arranged

in a row on the slender, round fuselage to increase stability. The overall weight of this MIG is nearly 10t and its estimated speed reaches Mach 1.3 at 10,000 m altitude. Although at "present, the plane has been gradually giving up its position as a front-line fighter to the up-coming Mach 2 fighters, its many colleagues in Communist China, Cuba and East European Countries are still in active service in respective air forces. It is also reported that at its height more than 3,000 planes of this type including those of licence production carried on both in China, Czechoslovakia and some other countries, had been mass-produced. Only recently, this MIG-19 again attracted wide attention when one of its kind belonging to the Communist Chinese Air Force shot down an U.S. Navy A-6A plane.

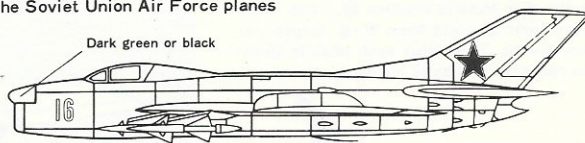
PAINTING AND APPLYING DECALS

Better paint smaller parts and hard-to-paint-after-assembly spots before the model is fully assembled. For paints, use those exclusively meant for plastics or enamel paints. Hair brush and flat brush of 10mm width will well paint smaller parts and wide spots respectively. For brush cleaning, use thinner. Colours for respective parts are specified below:

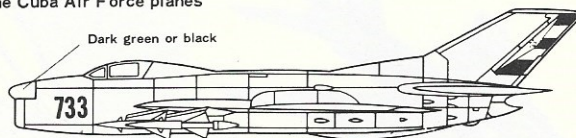
White: Missile
 Silver colour: All over the fuselage surface, antenna, missile holder, undercarriage support, windshield frame and undercarriage cover.
 Rusty iron colour (composed of silver mixed with a small amount of black and light brown): Exhaust hole
 Black: Tyre, windshield inside part, radar part at the nose of fuselage.



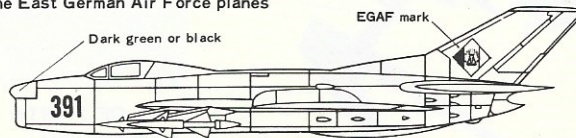
The Soviet Union Air Force planes



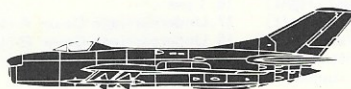
The Cuba Air Force planes



The East German Air Force planes



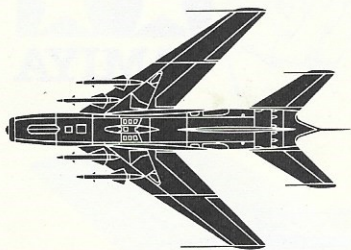
- MINI JET AIRCRAFT SERIES
- NO. 2 A-7A CORSAIR II
- NO. 3 DOUGLAS A-4E SKYHAWK
- NO. 4 LIGHTNING F. MK. 6
- NO. 5 MIRAGE IIC



TAMIYA
 TAMIYA MOKEI PLASTIC MODEL CO.
 915, OSHIKA, SHIZUOKA-CITY, JAPAN
 TELEPHONE 85-2177-9



MIG-19 FARMER-E

**Read before Starting Your Assembly Work**

This kit will be differently assembled according as you desire it in flying state or in rest condition.

For the flying state, use those parts marked as 'closed' and for the other, 'open' parts. When gluing fuselage halves together, place a weight (either screw or nut) and glue it there and then with cellotapes.

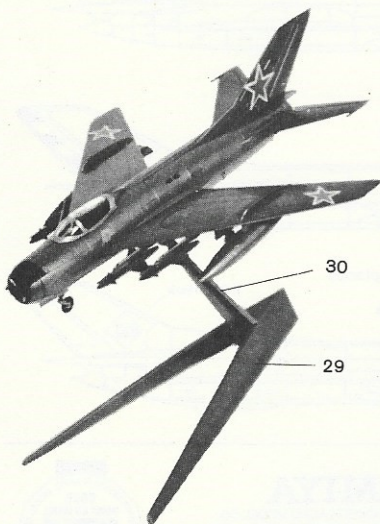
Fig. 1

A hole in Fuselage belly to receive Stand Post is covered with a thin film. When using Stand, therefore, open the hole before gluing Fuselage halves together.

Glue right ② and left ① Fuselage halves together. Glue right ④ and left ③ Main Wing halves, Tailplane halves ⑦ and ⑧, Exhausts ⑤ and ⑥, Air Intake ⑨, Seat ⑫, Windshield ⑮ and Antenna Pole ⑰ onto the completed Fuselage respectively.

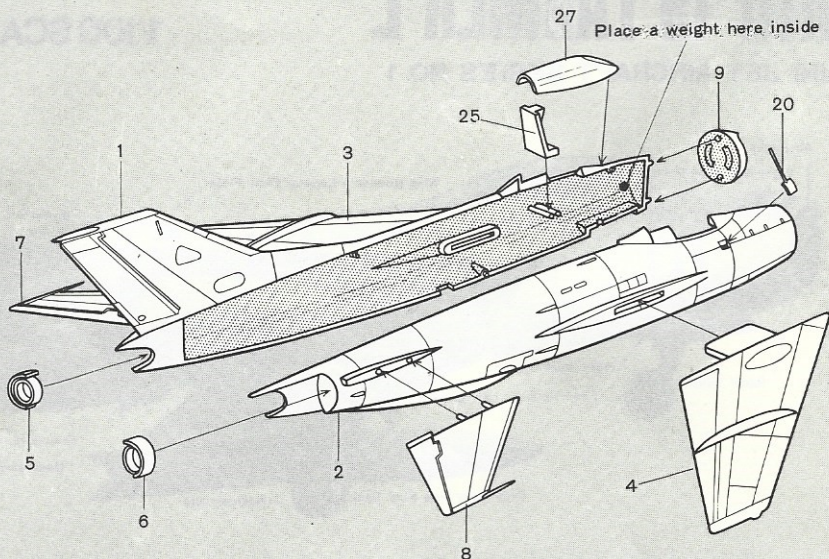
Fig. 2

When Undercarriage is unfolded, glue Undercarriage Covers, A ⑱ R and B ⑲ together. Next, glue right Undercarriage ⑮ attached with Tyre ⑯, onto Main Wing. Do likewise with left Undercarriage. When Undercarriage is folded in, use Undercarriage Covers, ⑫ and ⑬. In case Nose Wheel, too, is unfolded, glue parts, ⑳, ㉑ and ㉒ in this order but when it is folded in, use only parts ㉑. Then, glue upper ⑩ and lower ⑪ Tank halves together and construct a pair of Tanks. Fix each onto right and left Main Wing halves respectively. Fix Missile Holders ㉓, two each onto right and left Main Wing halves respectively. Then, glue each Missile ㉔ onto respective Missile Holders.

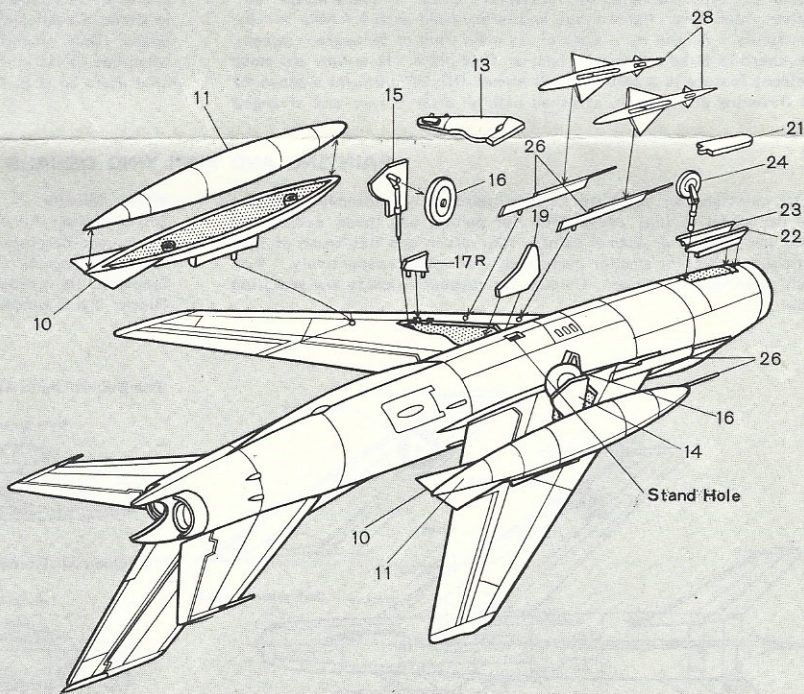


Glue Stand Post ㉓ onto Stand Base ㉒ and fix the completed Stand into Fuselage as shown in the picture.

1



2

**LIST OF PARTS**

- | | | |
|----------------------|--|-------------------------------------|
| 1. Fuselage (left) | 11. Tank (lower) | 21. Nose Wheel Cover (closed) |
| 2. Fuselage (right) | 12. Undercarriage Cover (closed) (left) | 22. Nose Wheel Cover (open) (left) |
| 3. Main Wing (left) | 13. Undercarriage Cover (closed) (right) | 23. Nose Wheel Cover (open) (right) |
| 4. Main Wing (right) | 14. Undercarriage (left) | 24. Nose Wheel |
| 5. Exhaust (left) | 15. Undercarriage (right) | 25. Seat |
| 6. Exhaust (right) | 16. Tyre | 26. Missile Pylon |
| 7. Tailplane (left) | 17. Undercarriage Cover A (left and right) | 27. Windshield |
| 8. Tailplane (right) | 18. Undercarriage Cover B (left) | 28. Missile 4 four pieces |
| 9. Air Intake | 19. Undercarriage Cover B (right) | 29. Stand Base |
| 10. Tank (upper) | 20. Antenna Post | 30. Stand Post |