

ME301

PBY CATALINA

"Old Dumbo" Patrol Bomber

There has never been an airplane so loved, so relied upon and so wrapped in tradition as the Navy's Catalina. During World War II the versatile, long range "Cats" were pressed into every type of military service. They roamed the oceans on patrol work, spotting and destroying thousands of tons of enemy shipping and naval units. In emergencies, crews forced the rugged "Cats" into maneuvers far beyond their design limitations, including dive-bombing and attacking enemy aircraft. As rescue planes, the PBY's, widely known as "Dumbos", saved the lives of countless stranded airmen and other military personnel.

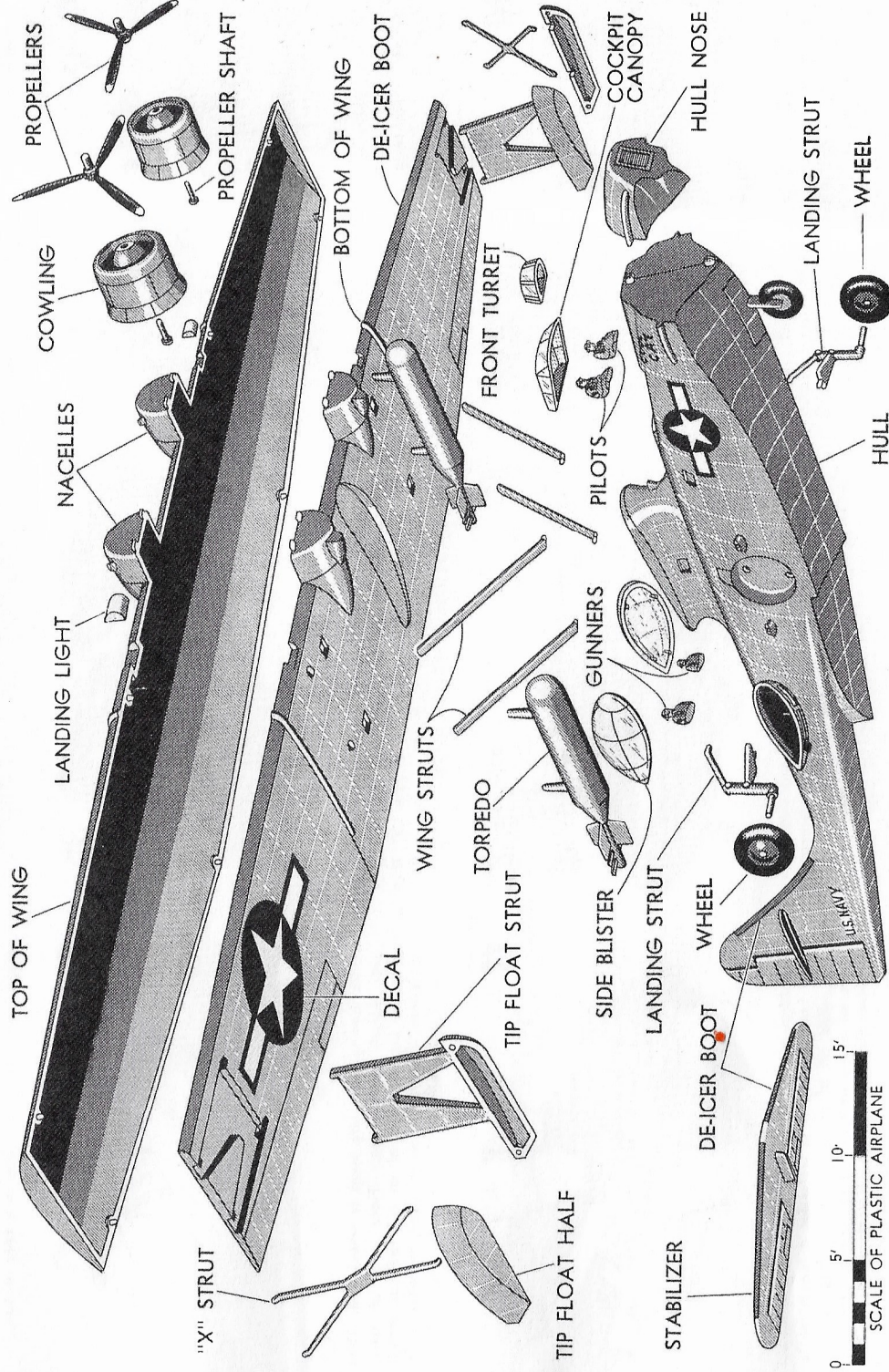
Build by Consolidated Vultee Aircraft, the PBY-5A (A for Amphibian) is powered by two 1200 hp. engines that give it a maximum cruising speed of 130 mph., with a range of 3000 miles. Wingspan is 104 feet. Normal crew was nine men. For patrol work the Catalinas carried torpedoes, depth charges or bombs slung under the wing.

Read This Before You Begin Assembly

Read *all* the instructions before attempting assembly of your airplane. Follow the 12 assembly sketches closely and be sure to check the fit of each part before you glue it in place. Trim away any excess bits of plastic from the parts. Use polystyrene cement to join the parts and apply it carefully. Avoid getting glue on outside of surfaces. Use rubber bands if necessary to hold parts firmly together and allow glue to dry thoroughly before handling the parts.

This model has a tricycle landing gear and because of the scale position of the wheels, would normally require a considerable amount of weight to be added inside the nose for balance. To eliminate the need for weights, a small skid is provided on bottom of hull so model will stand properly.

Refer to this drawing for correct identification of all parts



Finishing Color Suggestions

Your model will look beautiful when assembled without additional coloring. Should you desire to paint your model, follow these color suggestions. Only enamel paint should be used. Paint fine details with a small pointed brush and large areas with a flat brush about 1/2" wide. Allow sufficient time for drying. It is best to paint many of the smaller details before the model is assembled.

AIRCRAFT GRAY — Bottom of wing, nacelles, cowlings, stabilizer and hull. Landing struts, wing struts, "X" struts, tip float struts and hubs of wheels.

BLACK — Tire on nosewheel, wheel wells, propellers, de-icer boots on wing, stabilizer and rudder, inside front of cowlings, wing walk in center of wing on top, front of scoops on nacelles, two small windows on each side of hull, shutter on hull nose and tires on wheels.

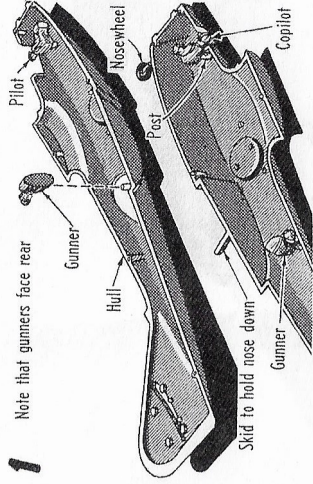
FLESH — Pilot's and gunner's face and hands.

RED — Pilot's and gunner's caps and nose of torpedoes.

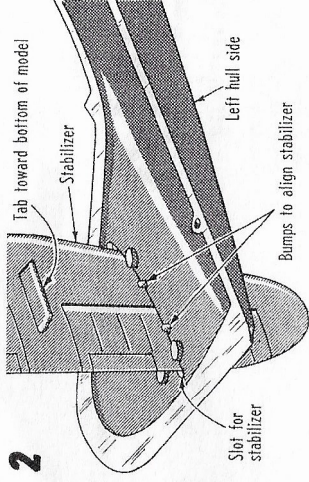
WHITE — Body and fins of torpedoes.

YELLOW — Propeller tips.

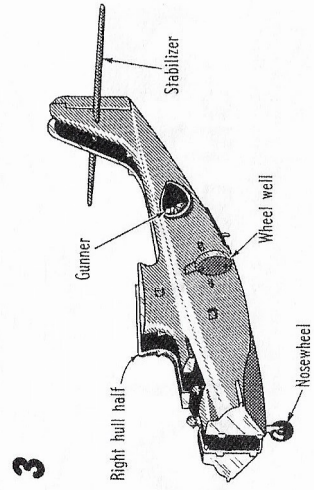
PBY-5A CATALINA ASSEMBLY DIRECTIONS



1



2

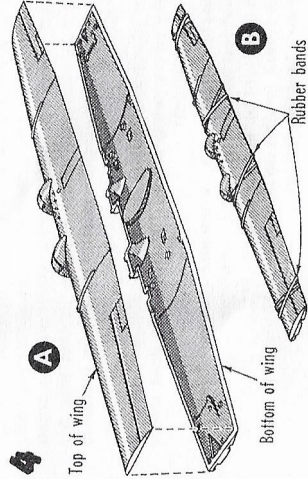


3

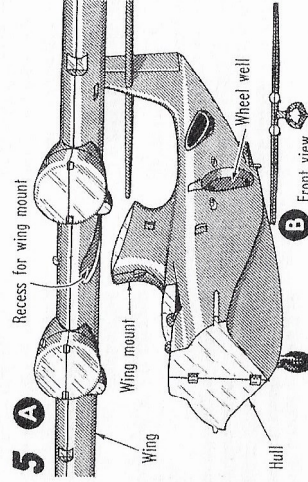
Glue pilots and gunners onto posts on inside of hull, making certain they are pushed on all the way. The small skid on bottom of hull is provided to keep the nosewheel of the model on the ground so balance weights are not needed.

Before gluing hull halves together, carefully slip stabilizer into slot in tail of left hull side as shown above. Notice that tab on stabilizer should be toward bottom of model. Glue this tab against small bumps inside which align the stabilizer.

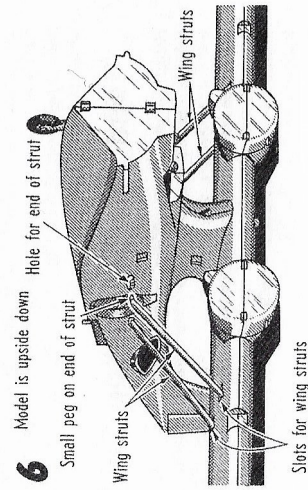
Apply glue to bumps which align stabilizer and around edges of right hull half. Then carefully slip right half of hull over stabilizer as shown above and press together. Bind with rubber bands if necessary to hold hull halves tightly together. Remove rubber bands after glue dries.



4



5

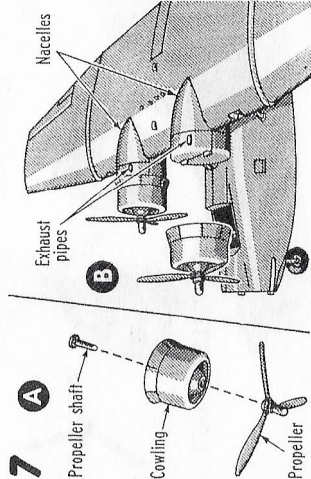


6

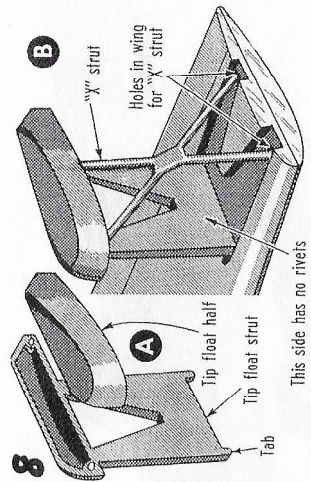
(A) Glue top of wing to bottom of wing. Work quickly and carefully. Do not get glue on outside edges as it will spoil the finish on the model. (B) Hold top and bottom together with rubber bands if necessary while glue dries to prevent gaps between the pieces.

(A) Glue wing to hull assembly. Top of wing mount fits into recess in bottom of wing for correct location. (B) Push wing down firmly onto wing mount so one wing tip will not be lower than the other when viewed from the front.

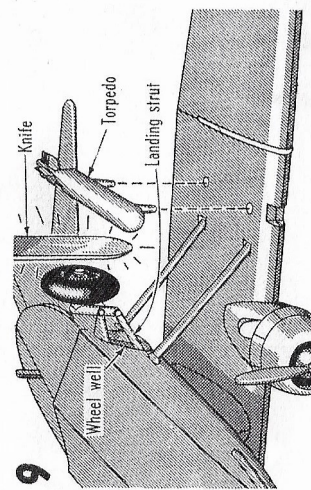
Lay model upside down and install four wing struts. Notice that each strut has a small peg at one end. This peg fits into hole in hull and other end fits into square slot in wing. Slip strut into slot in wing first and then fit peg into hole in hull.



7



8

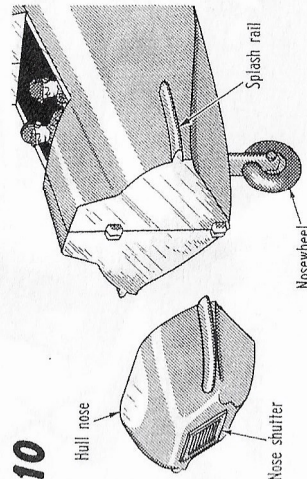


9

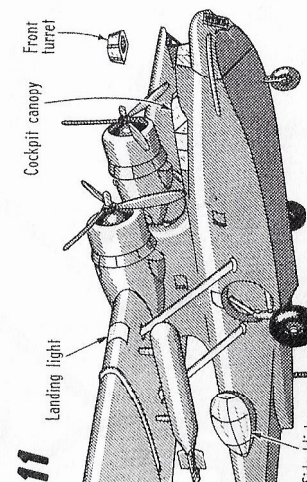
(A) Insert propeller shaft through hole in cowlings from the rear. Apply a bit of glue into hole in propeller and press shaft into propeller. Prop should spin freely. (B) Glue cowlings in place on front of nacelles.

(A) Glue tip float halves to tip float struts. (B) Turn model upside down and glue tip float strut to wing in position shown. Then glue 'X' strut in place. If desired the tip floats can be glued to the ends of wing in retracted position.

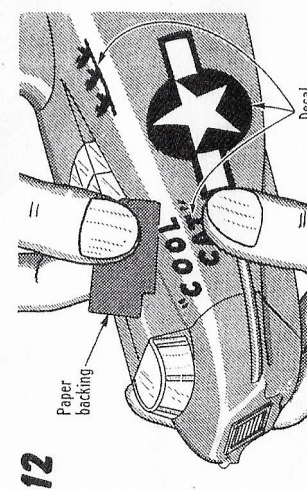
Glue landing struts into holes in wheel well. Then slip wheels onto axles. Flare end of axles with the heated blade of an old knife as shown. If desired, the wheels can be glued into wheel wells in retracted position. Glue torpedoes to wing.



10



11



12

Glue hull nose in place on front of hull. If you are making your model with landing gear retracted as though in flight, the nosewheel and rear skid can be cut away with a small saw and then carefully trimmed clean.

Glue front turret, cockpit canopy and side blisters to hull. Also glue landing lights into recesses in leading edge of wing. Use glue sparingly so it does not squeeze out onto outer surfaces.

Cut decal apart with scissors. Work with one subject at a time and dip it in water for a few moments. Then slide off of paper backing holding decal in place on model while removing backing. Work out bubbles and blot with a soft rag.