

F-86F-30 "Sabre"

F-86F-30 セイバー

F-86F-30 "佩刀"战斗机

PLEASE READ BEFORE OPERATION!

- * Tools recommended as below: (Not included)
Adhesives; Paints; Side Cutters; Sharp Edged Pliers; Modeling Knife; Modeling File; Nippers; Drill; Scissors; Sand Paper; Soft Cloth; Cyanoacrylate Glue.
- * Make sure to read this instruction listed below before assembling.
- * The kit contains the small parts, they can be dangerous if swallowed by mistake, so keep them away from reach of children.
- * Cut the all parts off carefully and remove the waste parts into the garbage can.
- * More caution and care should be needed for cutting and handling the photo etched parts.
- * Make attention that some parts should be attached the decal when assembled.
- * During assembling, please tear up and throw away the plastic bags, or may cause the dangerous if wearing over head by children's mistake.
- * When using the adhesives and paints, please do not use them in the closed room or near the fire, also must be very careful to protect your eyes, face and clothes.
- * Adult supervised when assembled by children under 14 years old.
- * 说明书中含有重要信息, 应保留。 Please Keep instruction since it contains important information.

装配前请仔细阅读:

- * 推荐使用的模型工具(请自备):
专用模型胶水, 专用模型油漆, 水口剪刀, 长咀钳, 刀片, 锉刀, 镊子钳, 钻, 剪刀, 软布, 砂纸, 瞬间快干胶等。
- * 用水口剪刀或刀片小心切下所有塑胶零件和蚀刻片零件, 不要遗失小零件。
- * 切取蚀刻片时应特别注意防止利边划伤手指。
- * 用模型锉刀小心锉平所有零件表面的注射浇口。
- * 用适量的强力快干胶水粘合蚀刻片零件和金属轴, 切忌过量, 否则可能导致可动零件被粘住。
- * 注意某些零件表面需在装配时同步贴上水贴纸。
- * 制作时应远离幼儿并将包装袋及时收妥, 谨防小孩玩耍而引起意外。

The method to apply the decals

1. Cut off the decal from the decal paper and put it into the warm water 40°C for 10 seconds.
2. Take the decal from the water and put it on a piece of clean cloth.
3. Remove the decal slowly from the paper to the targeted location by a wet finger.
4. Use a piece of dry and soft cloth to press it gently on the decal until it getting dry and no bubble existing.

水贴纸的使用方法:

- 一. 把相关的印花从水贴上剪下, 放入40°C左右的温水中浸10秒。
- 二. 然后将印花放在干净的布上。
- 三. 拿上印花纸板, 手指蘸水将印花移到适当的位置。
- 四. 用软干布轻压印花直至水干, 气泡消失。



强力胶

Cyanoacrylate glue



配重

Weight



钻孔

Make hole



切除

Cut / Remove



选择

Option



不涂胶水

No cement



贴纸

Decal



弯曲

Bend



填补

Repair



先装

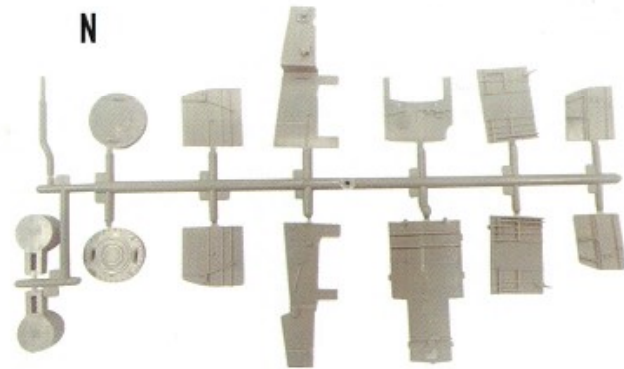
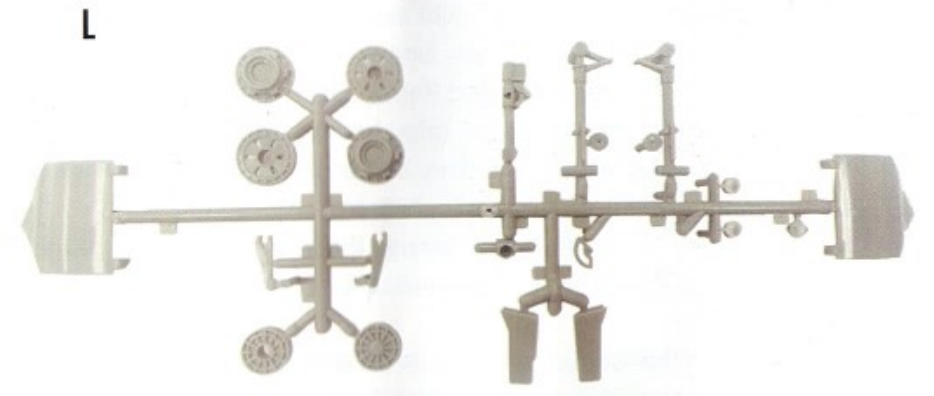
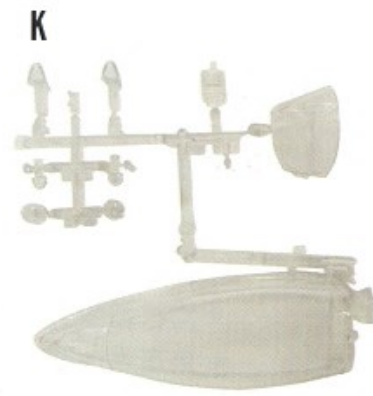
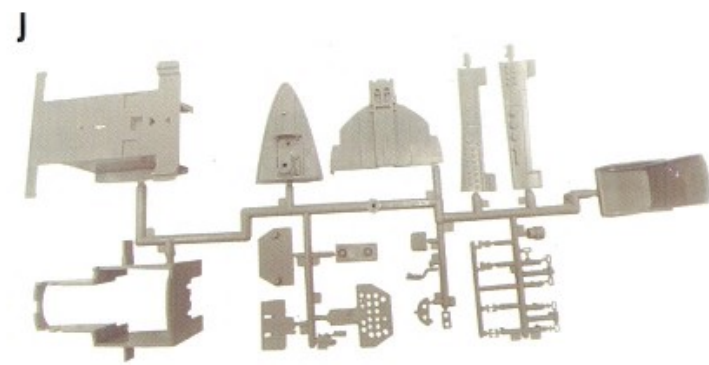
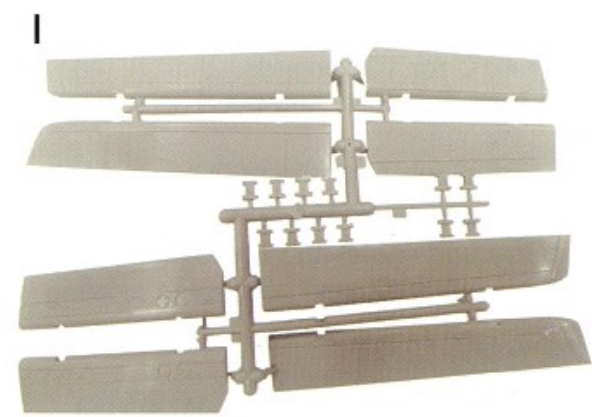
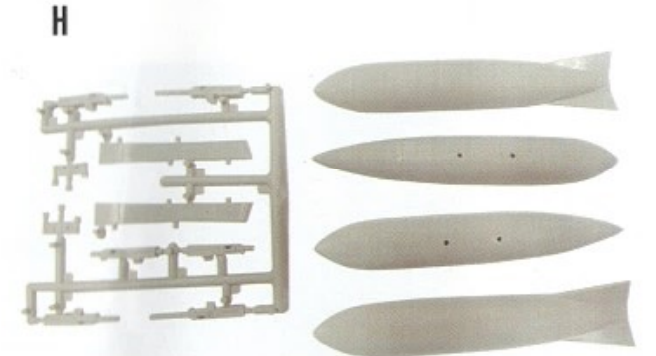
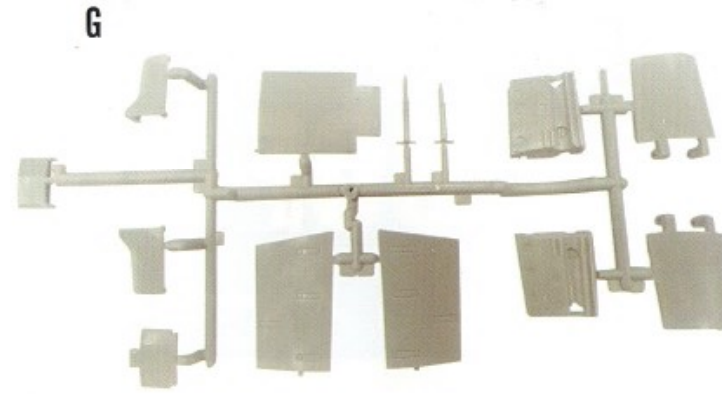
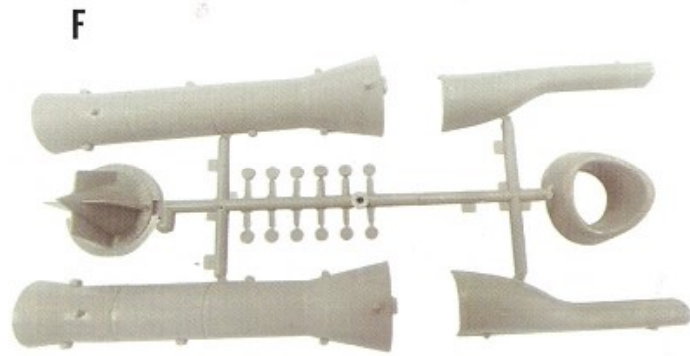
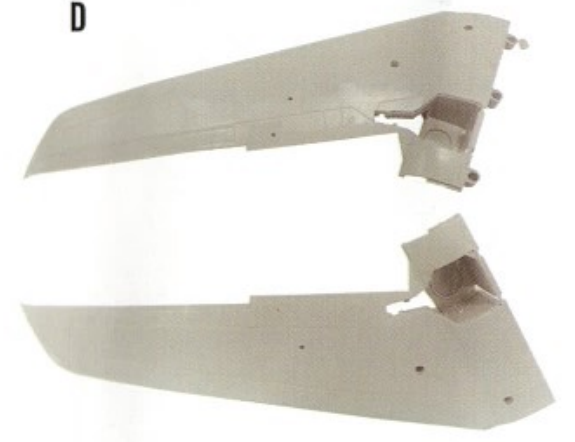
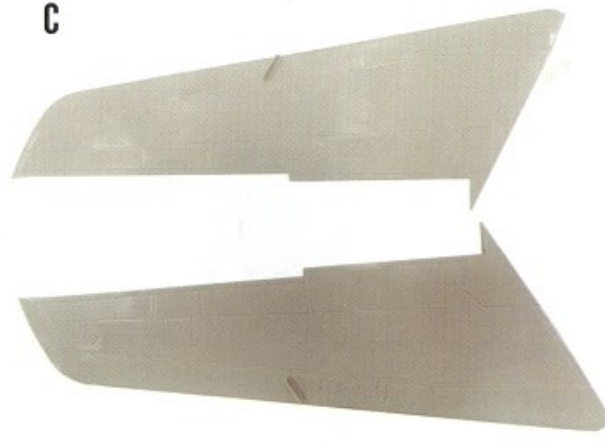
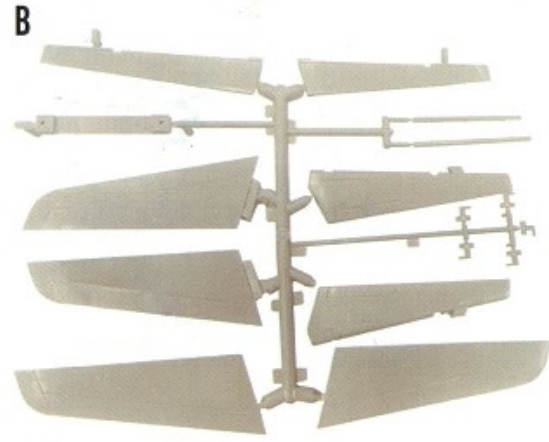
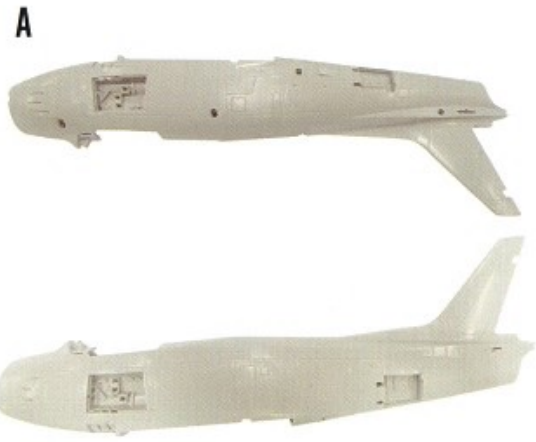
Install it first



锉平

File / Sand

部品图 Parts



《配重》
Weight



《座椅安全带》 I
Seat Belt x2



《螺丝》 Screw
PB 3x8mm x11



《座椅安全带》 II
Seat Belt x2



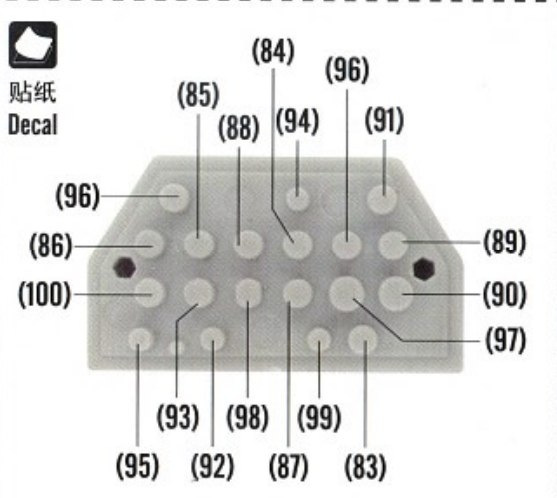
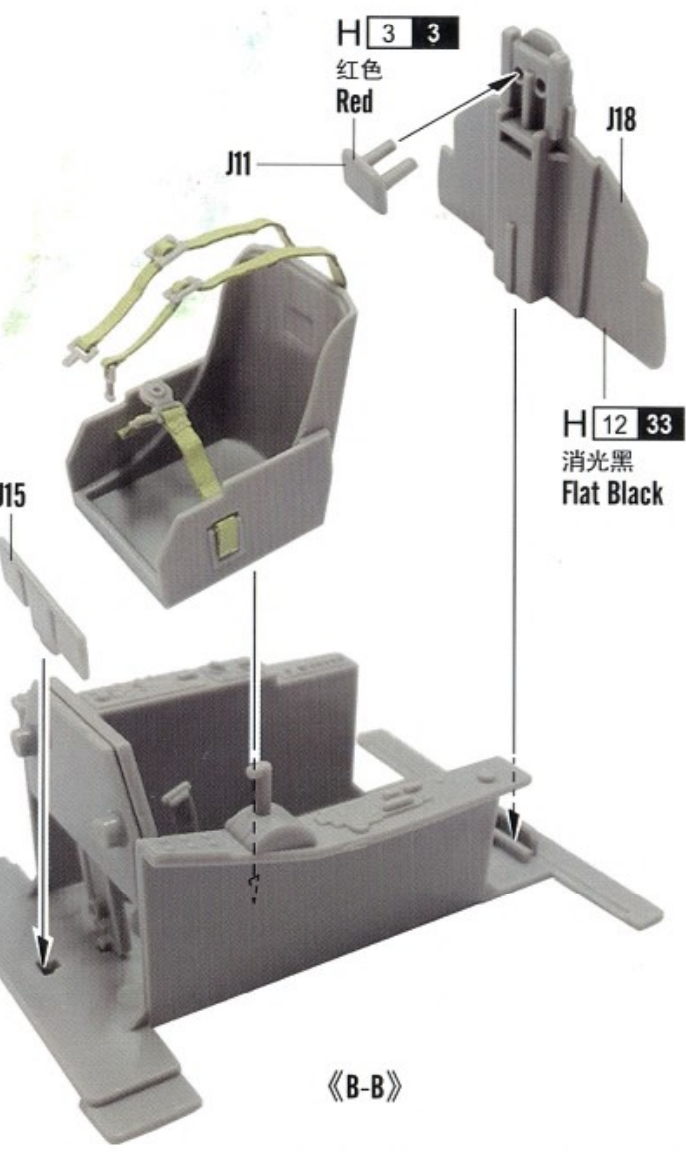
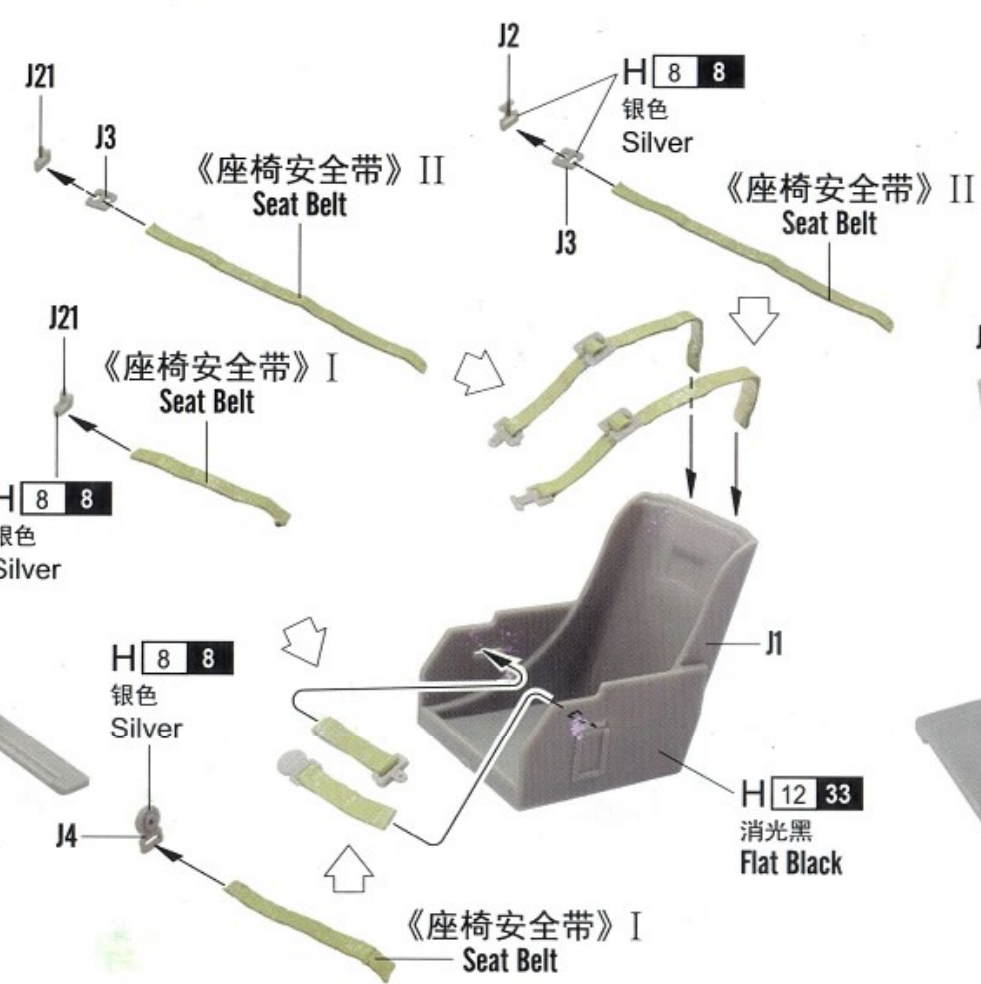
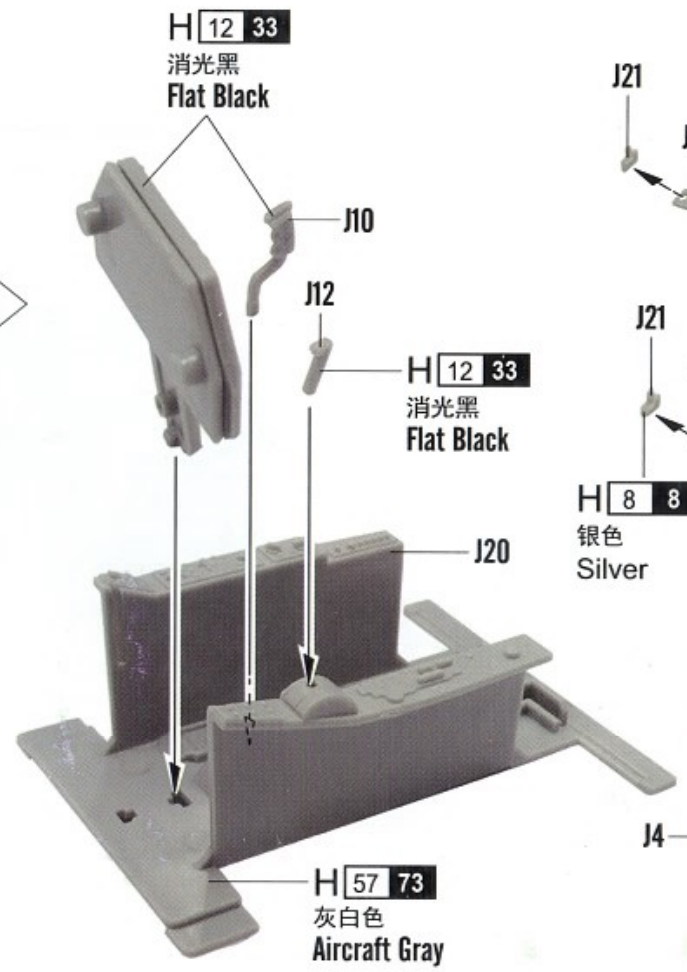
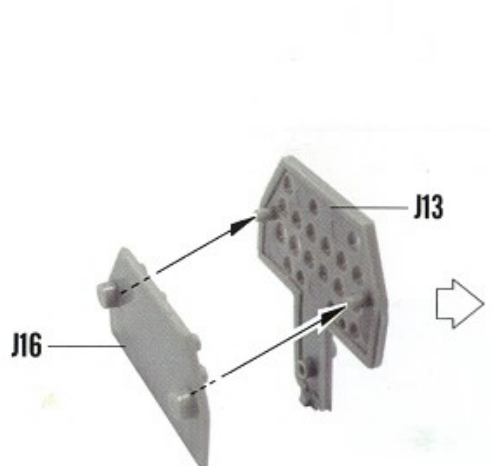
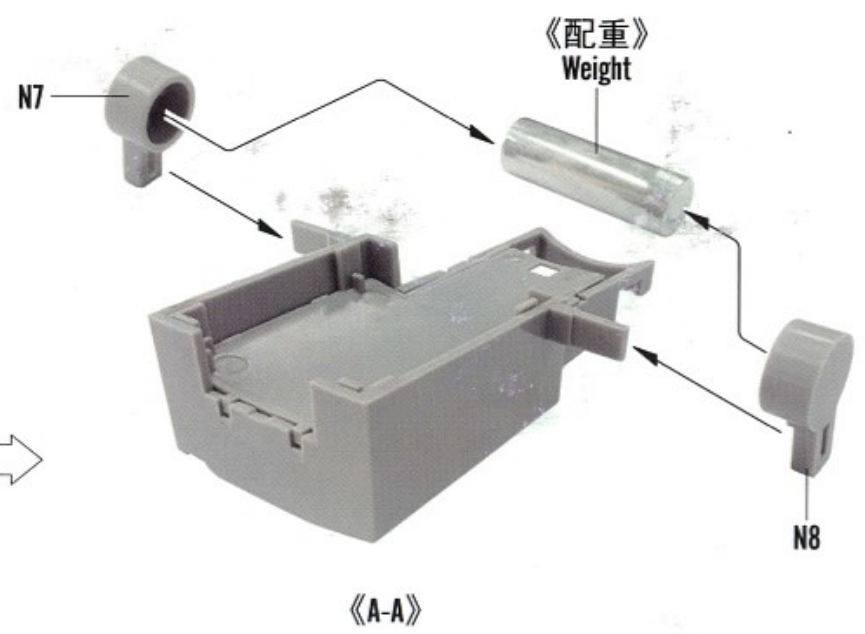
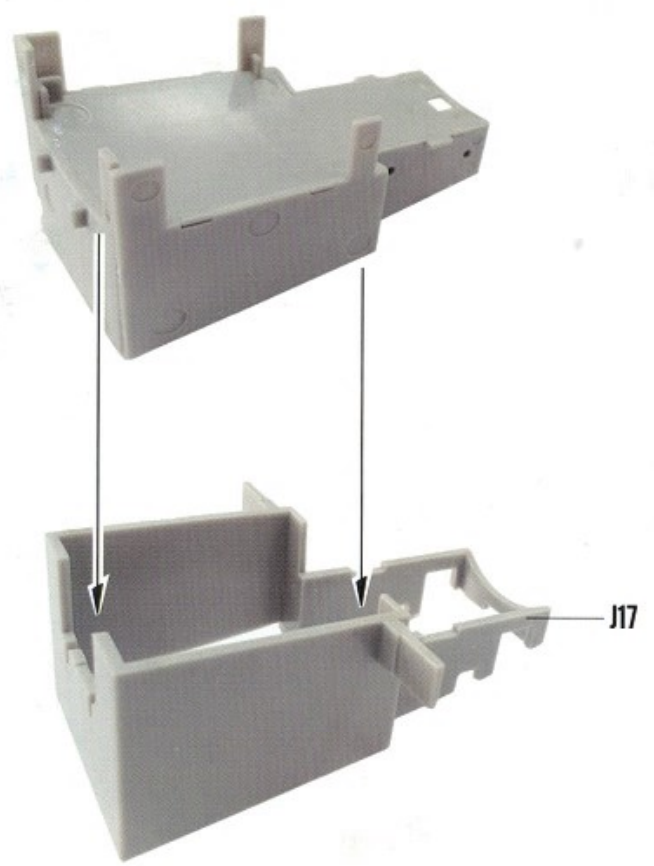
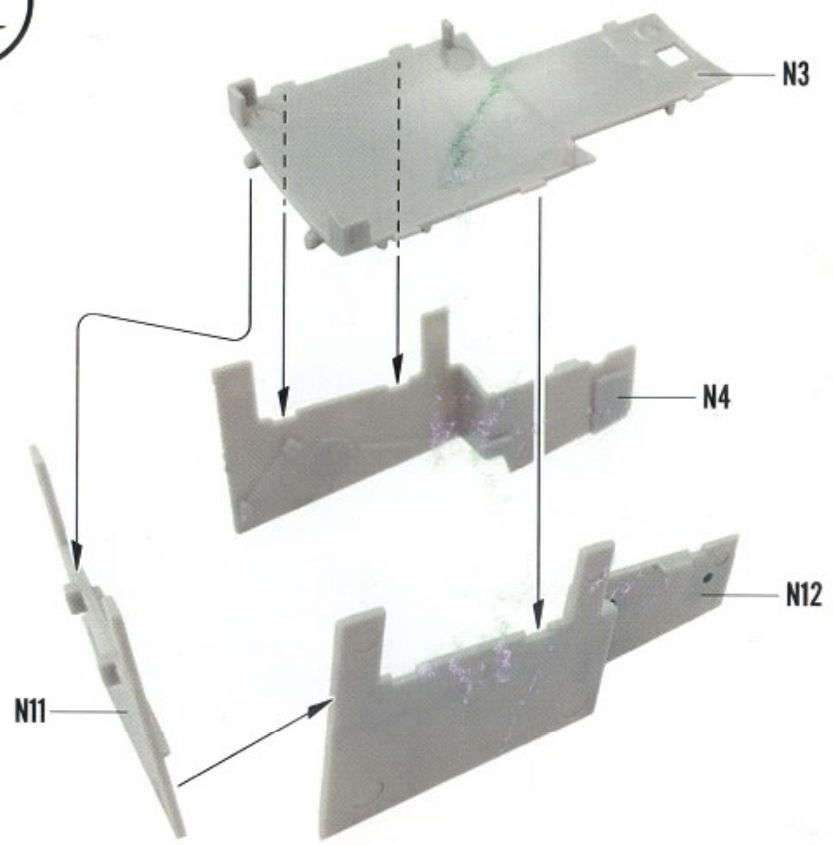
《边钉》
Pin



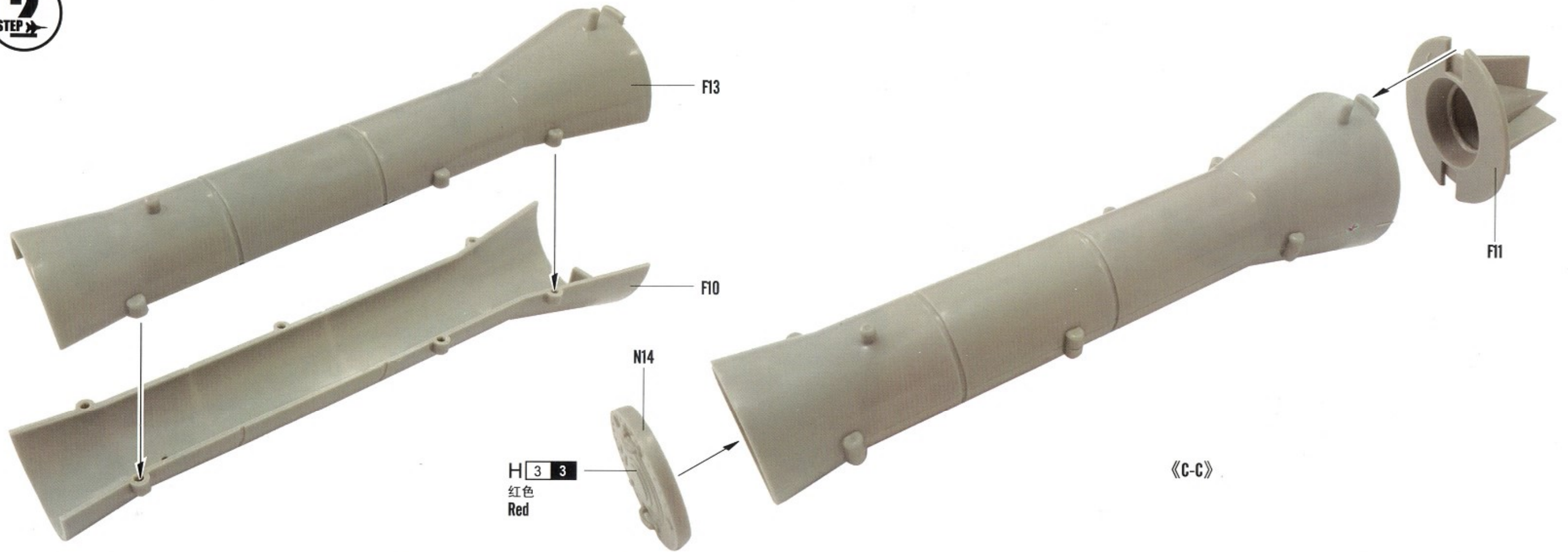
《水贴》
Decal



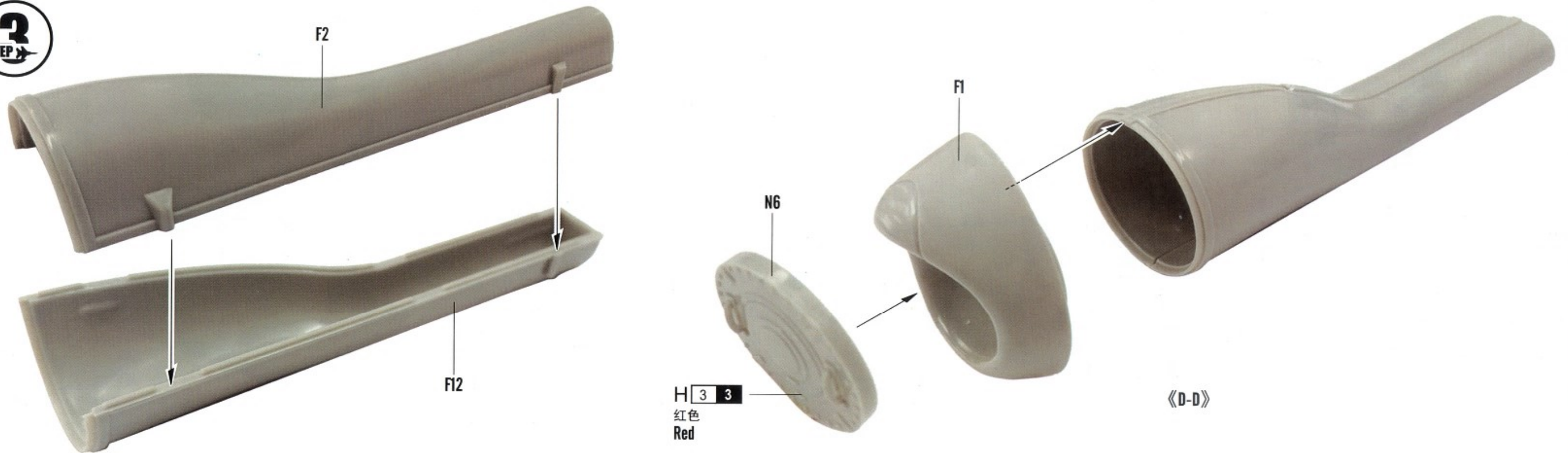
1
STEP

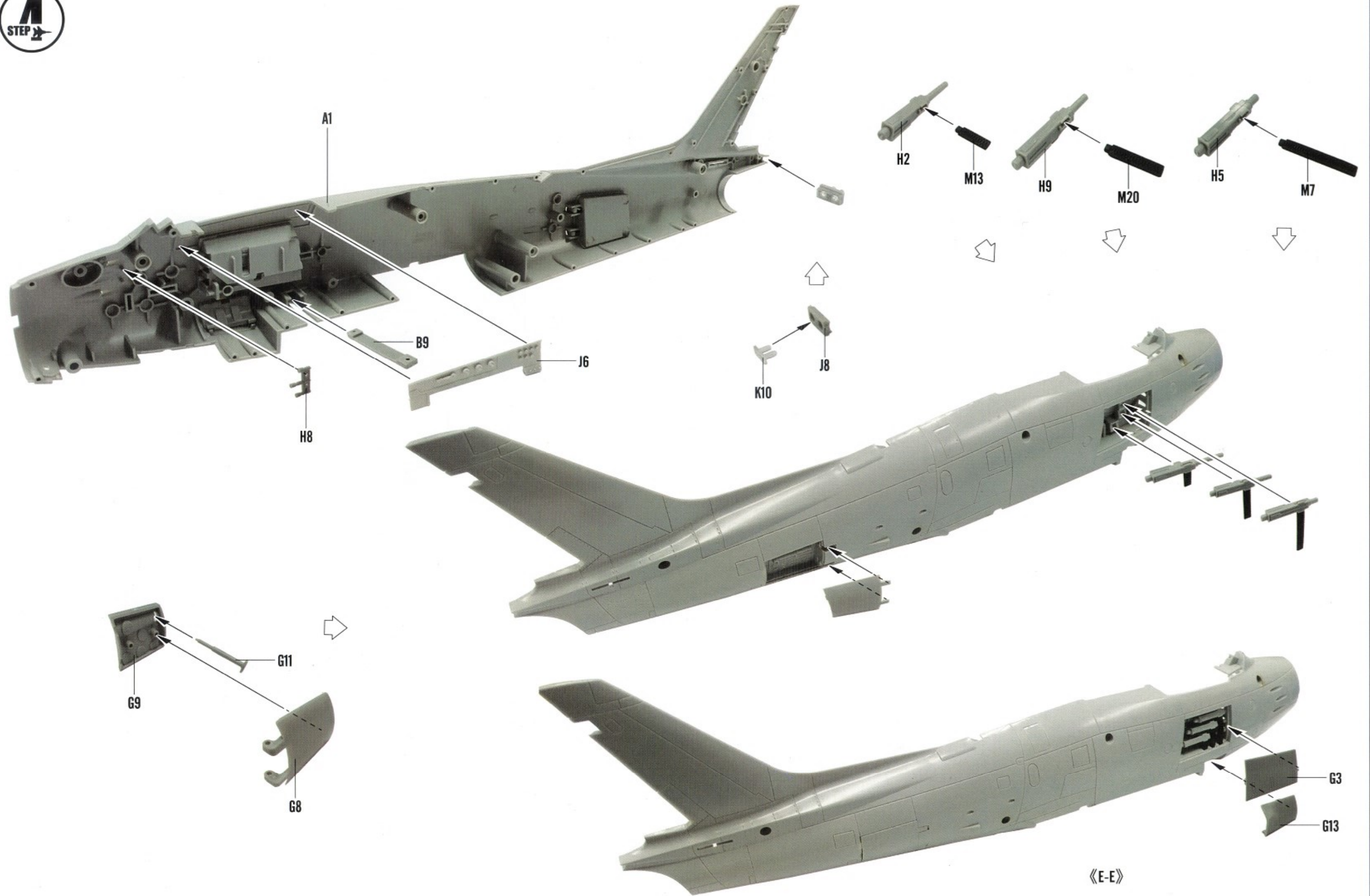


2
STEP

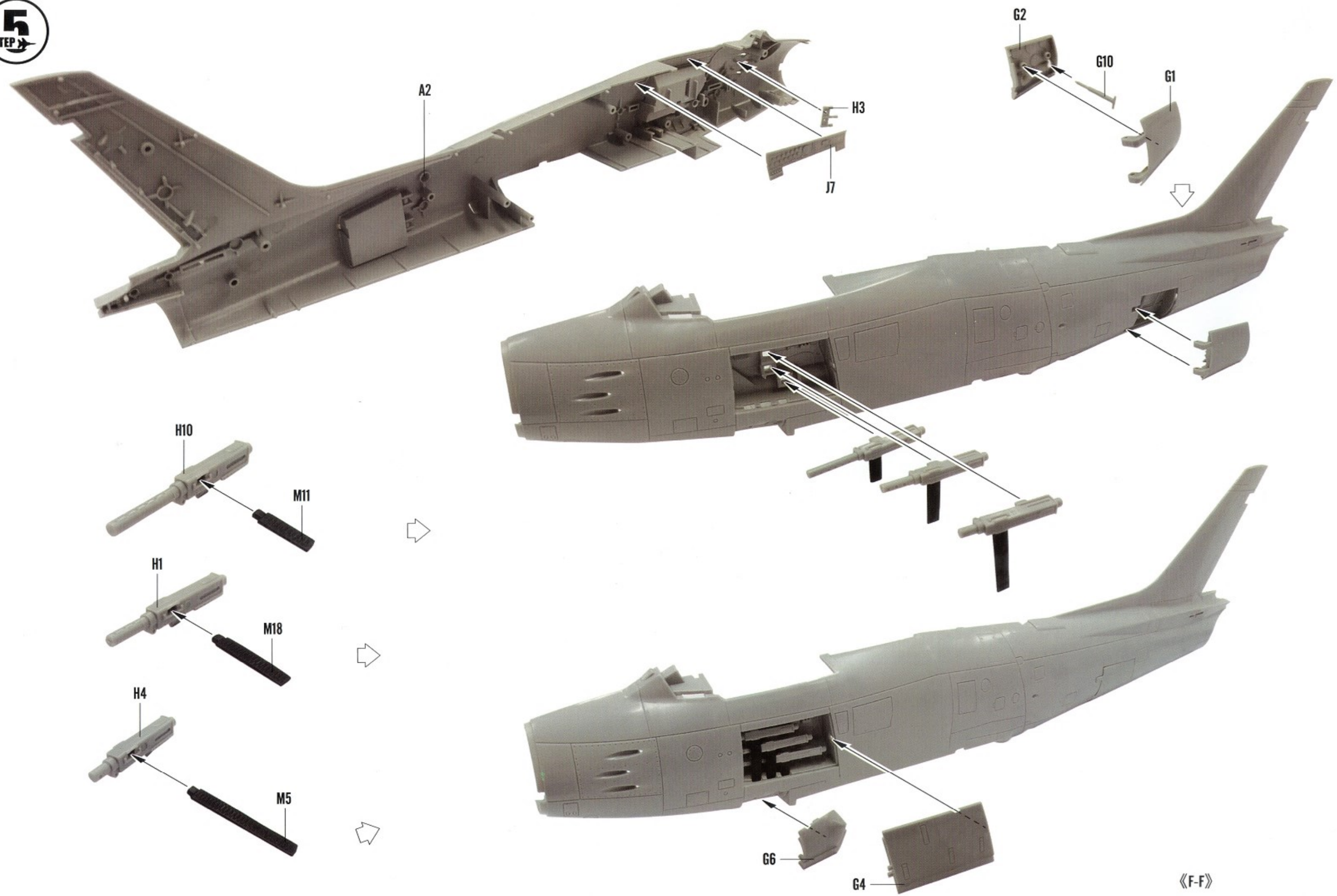


2
STEP

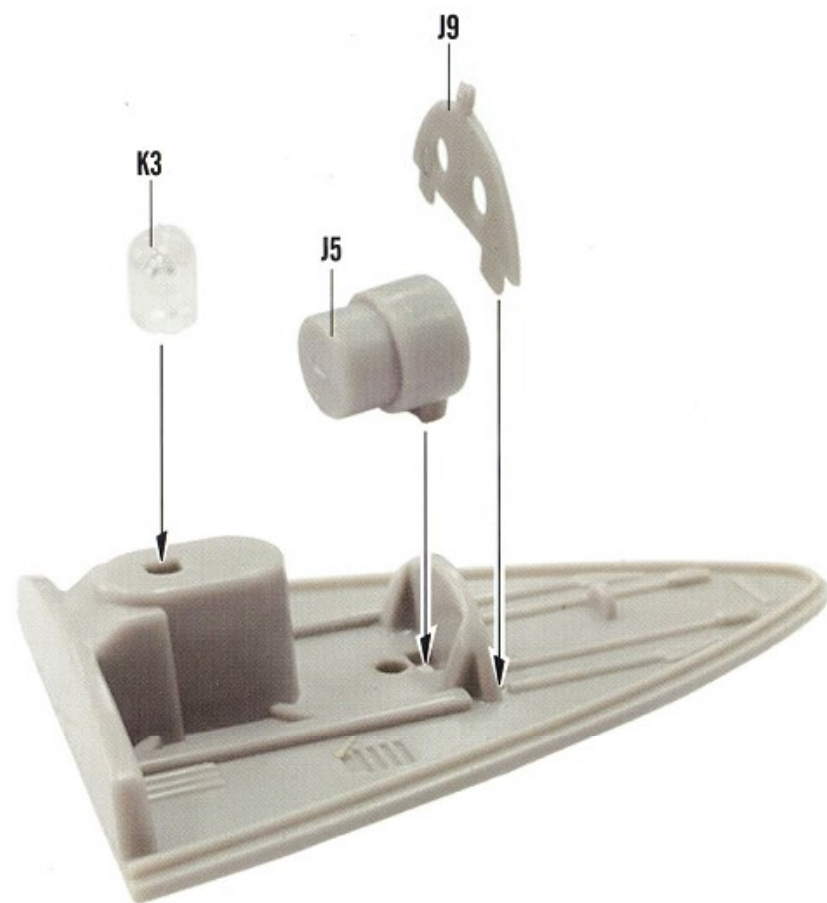
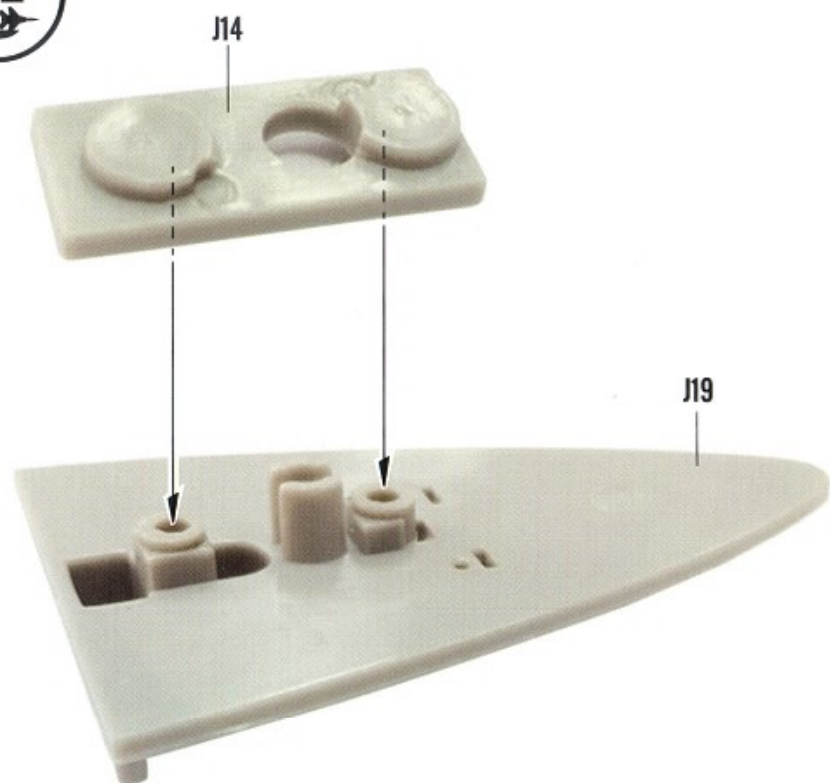




5
STEP

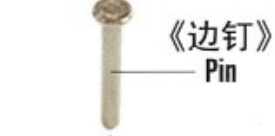
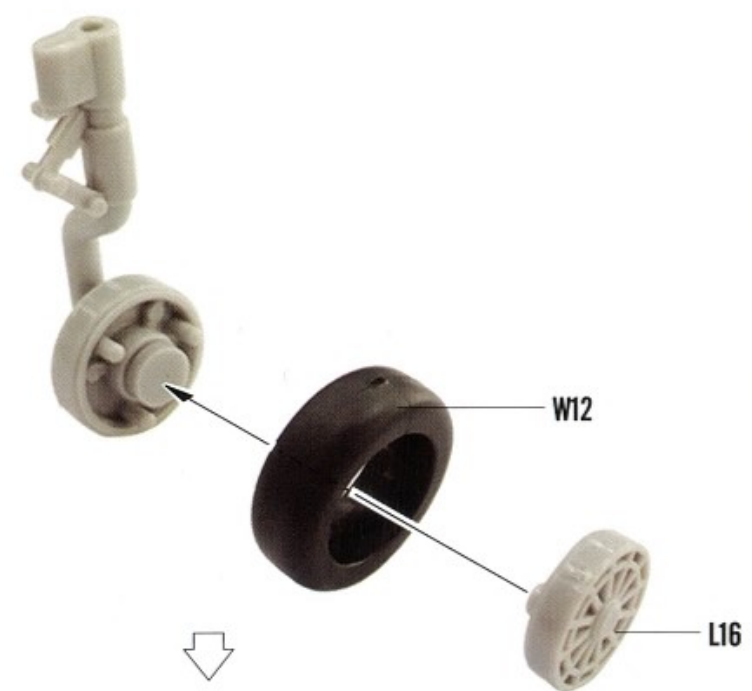
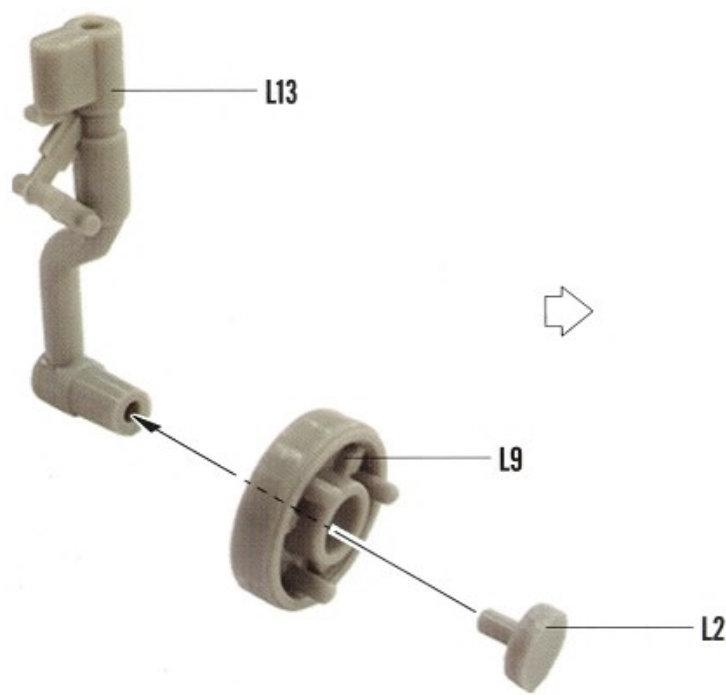


6
STEP



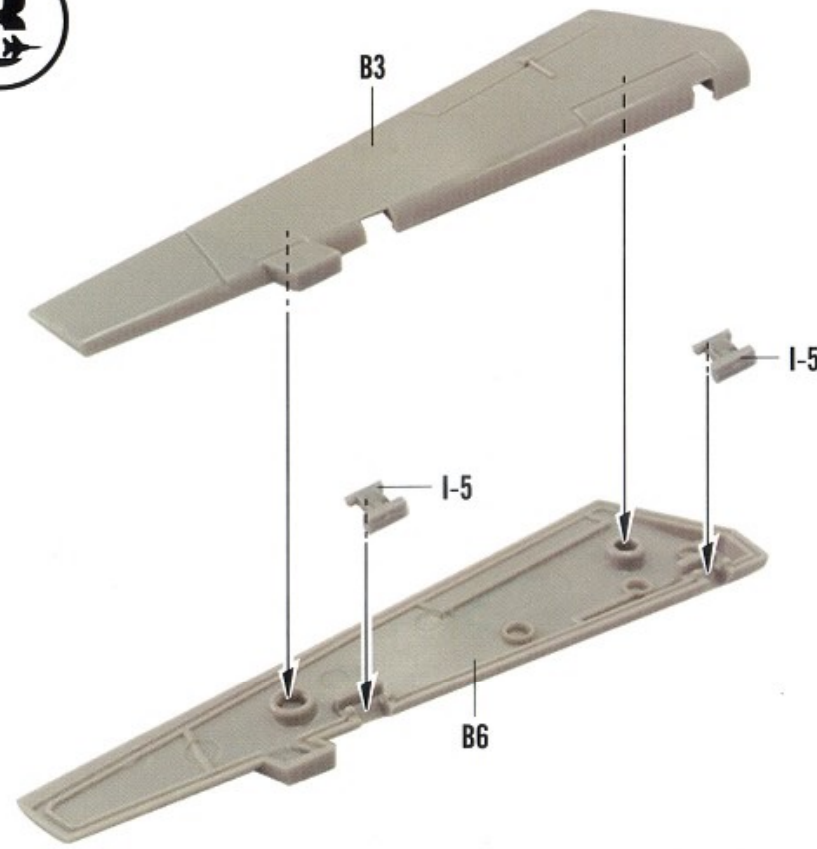
《G-G》

7
STEP

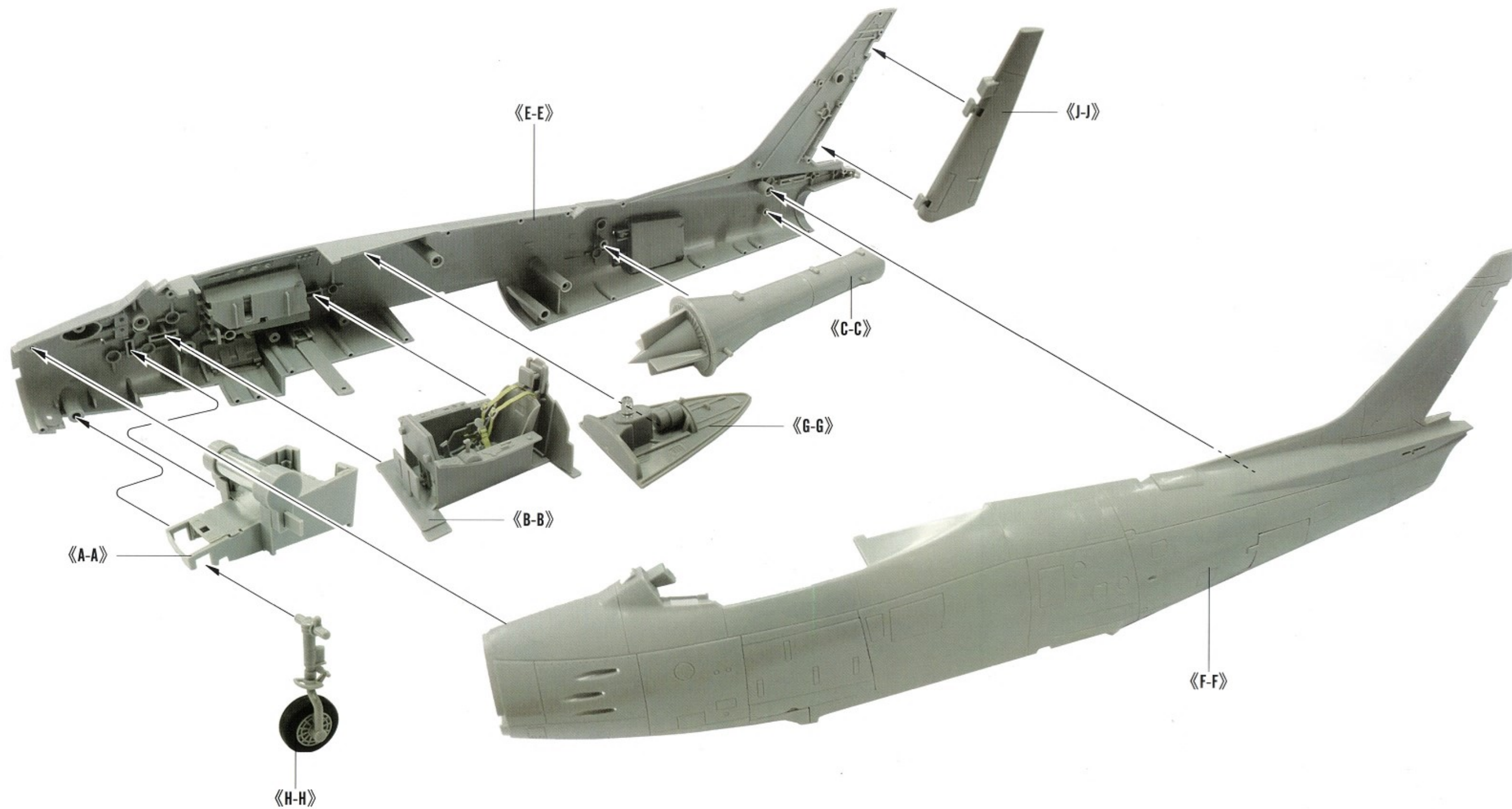


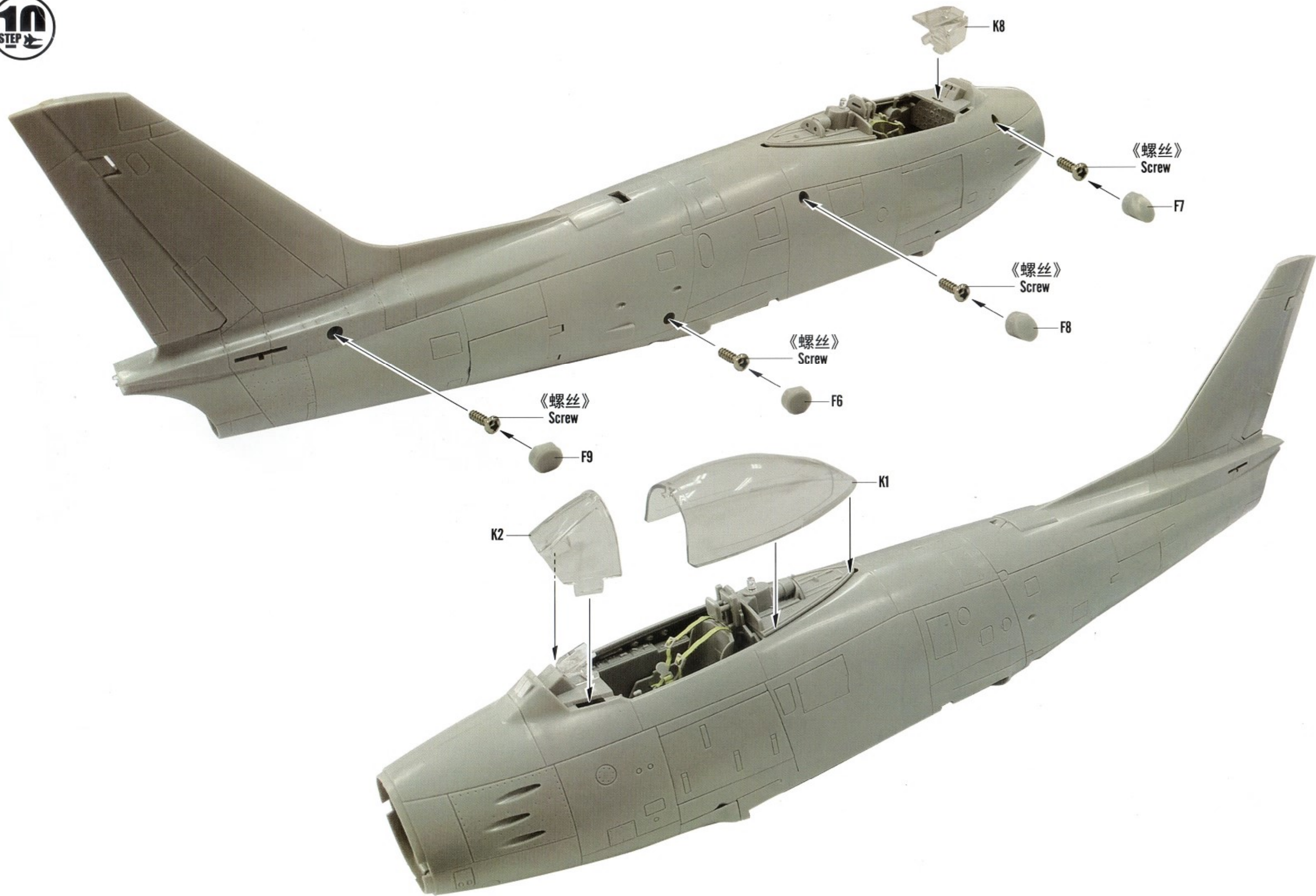
《H-H》

8
STEP

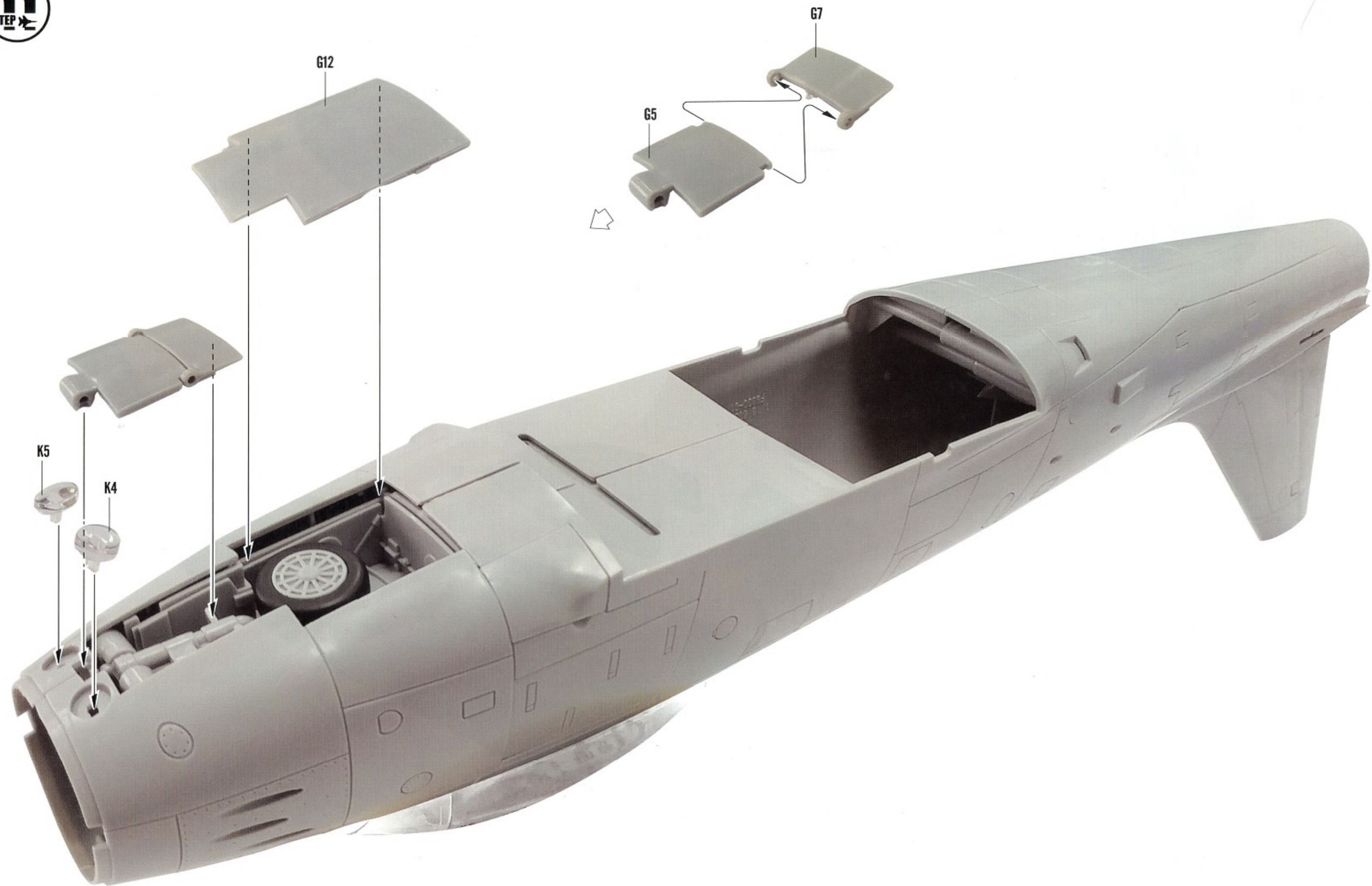


《J-J》

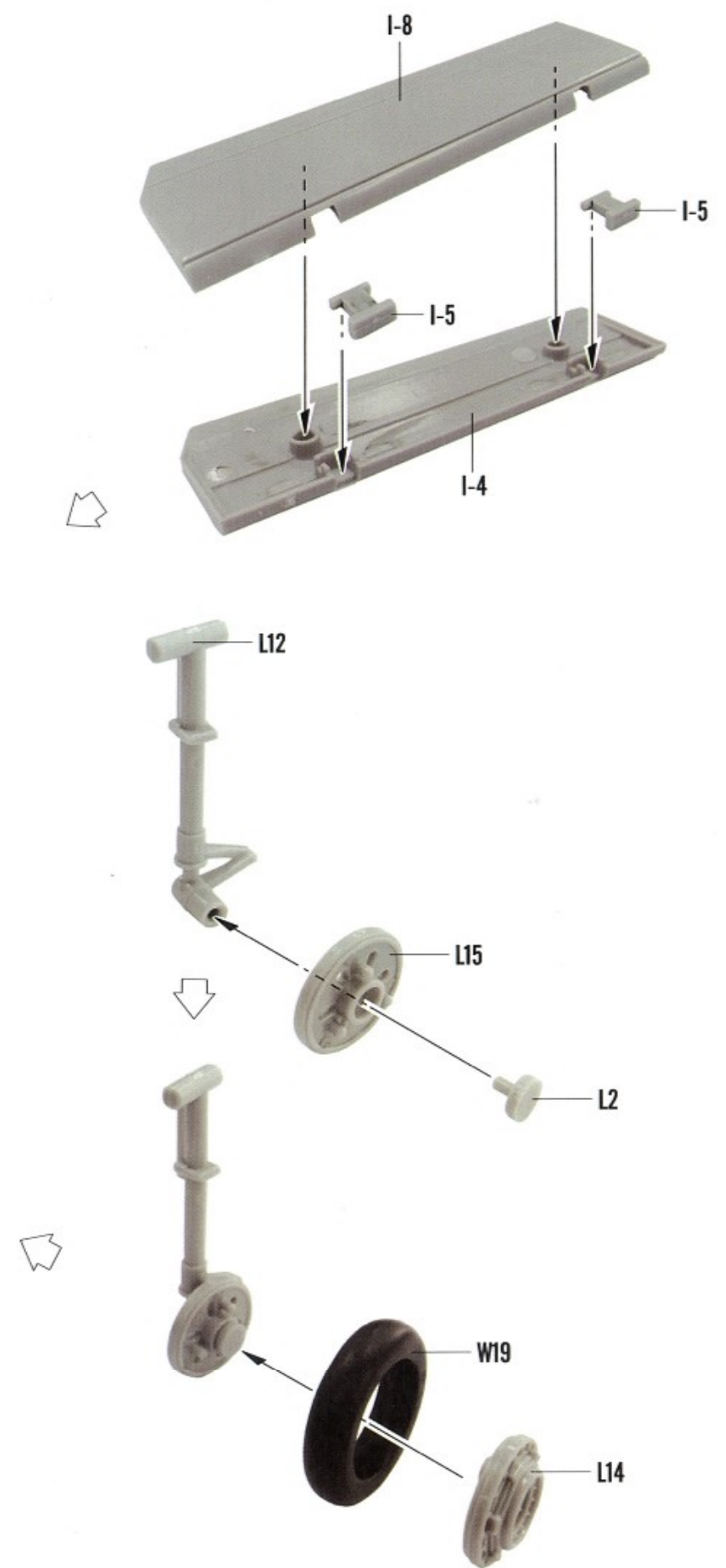
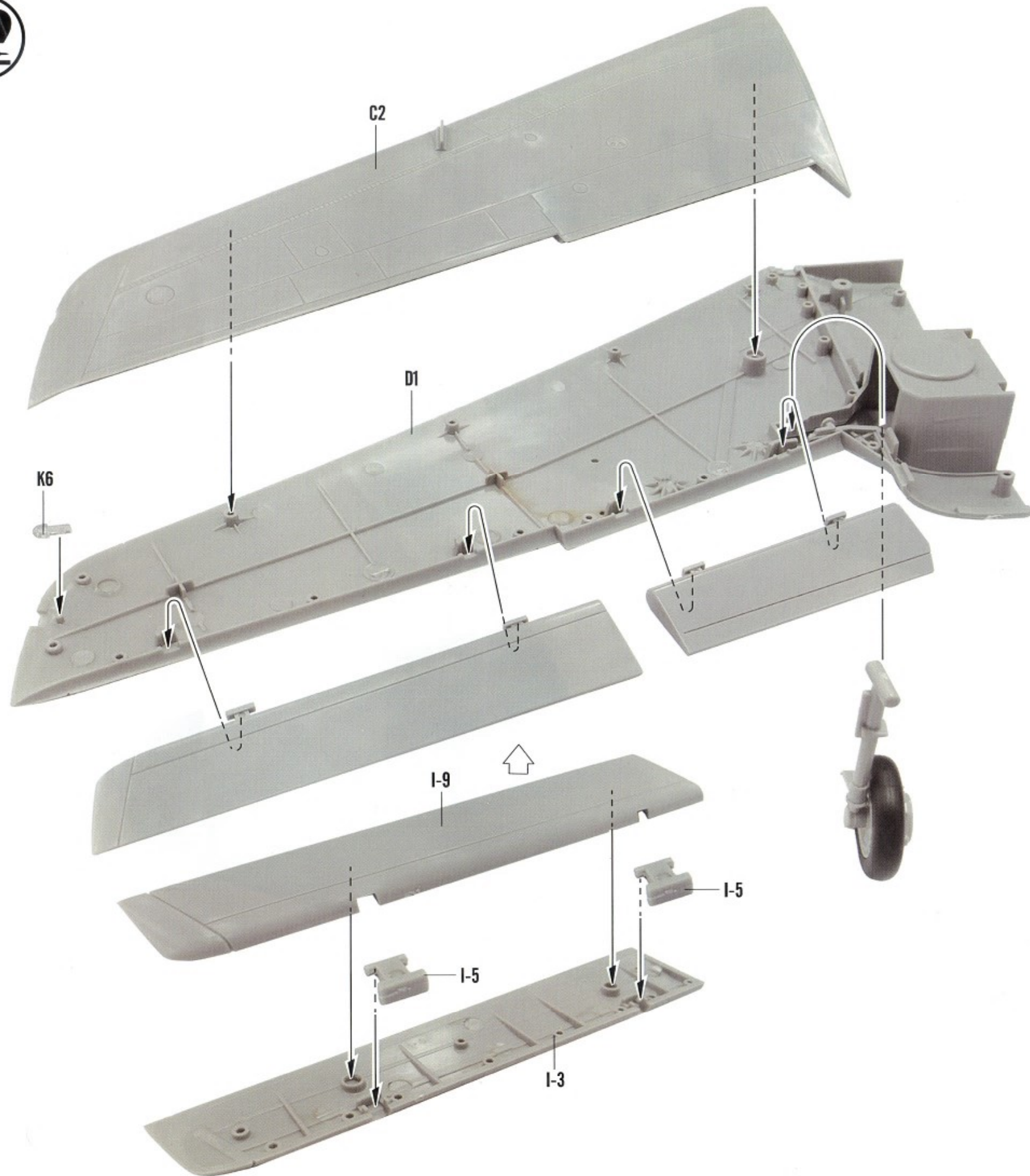




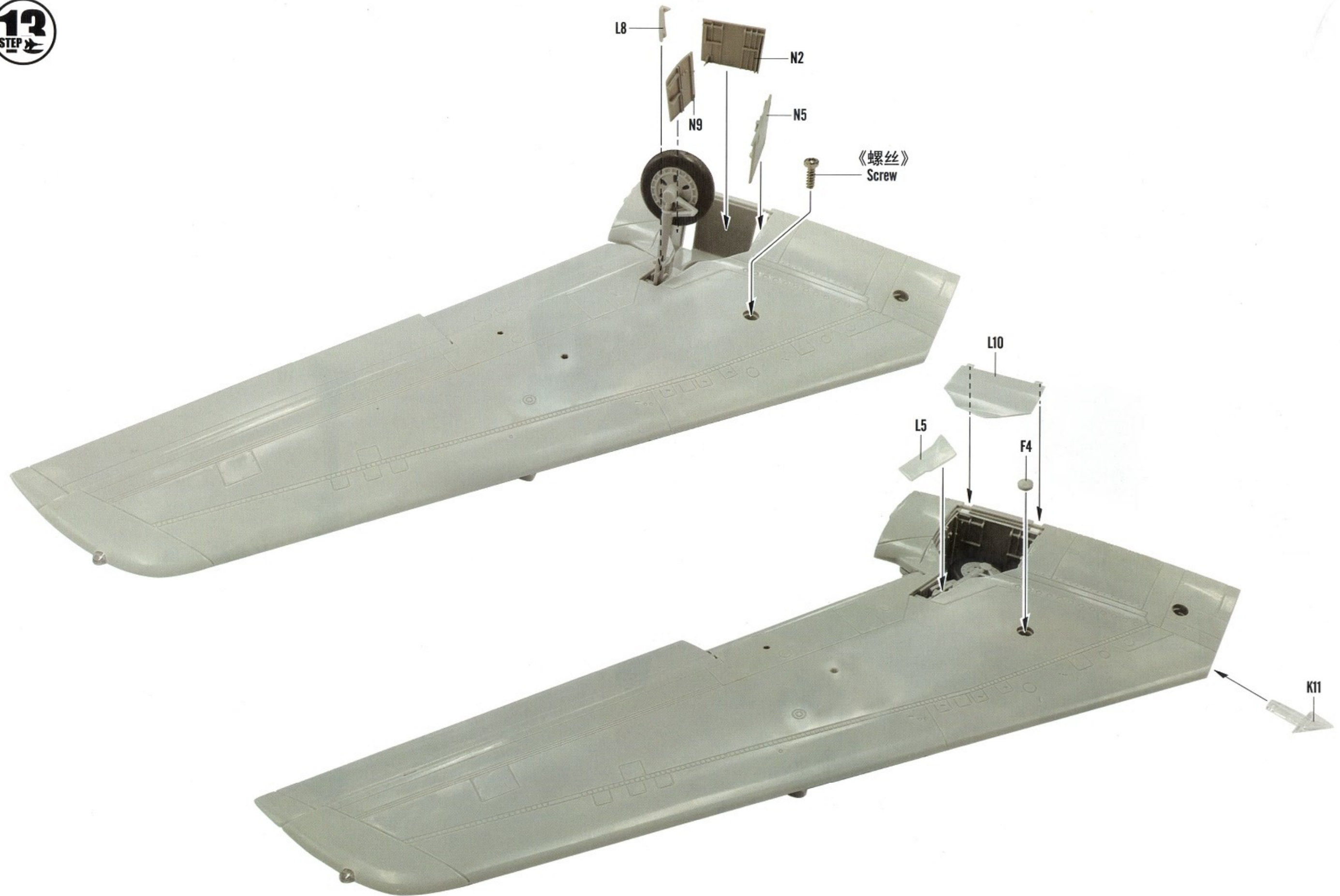
11
STEP



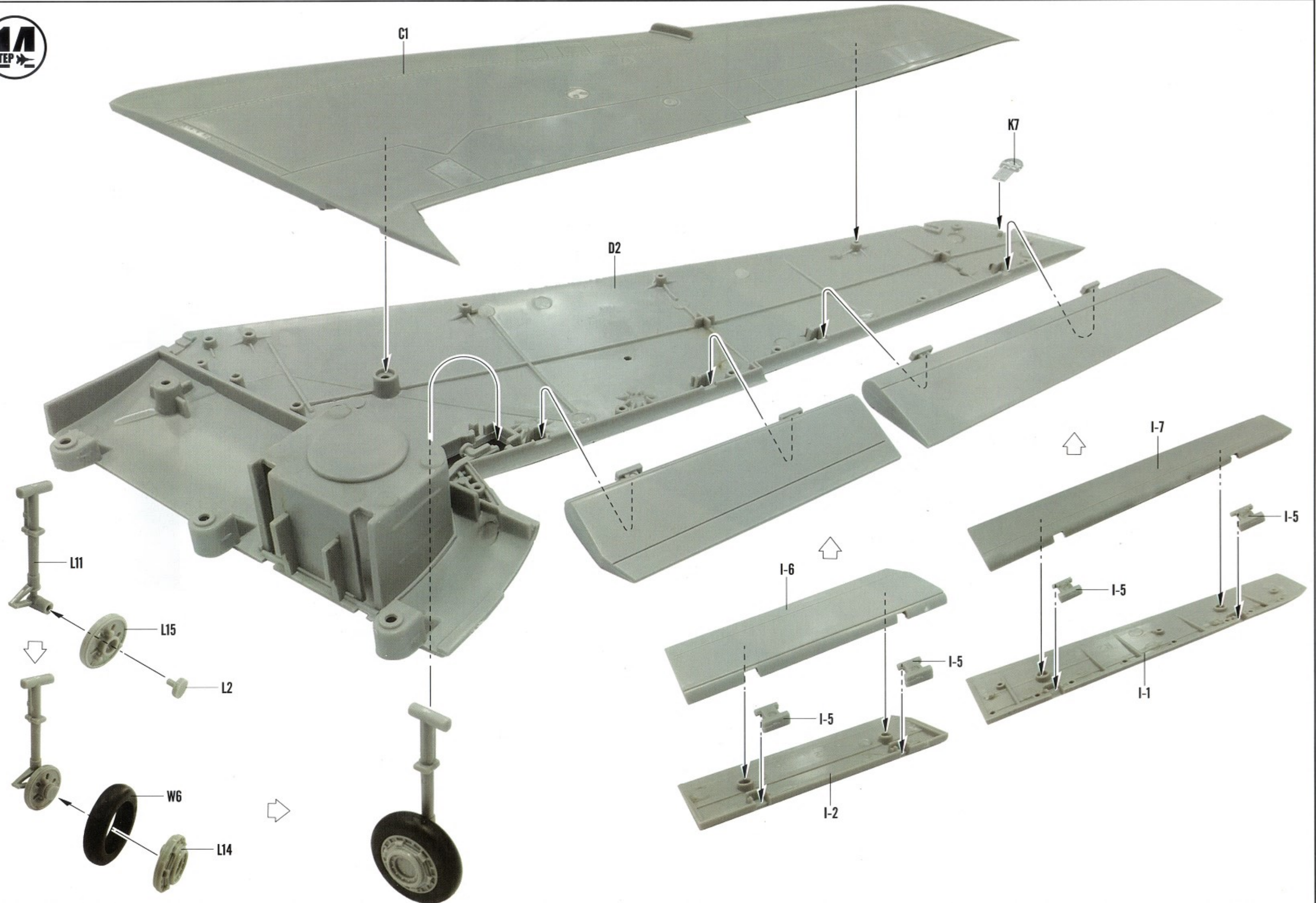
12
STEP



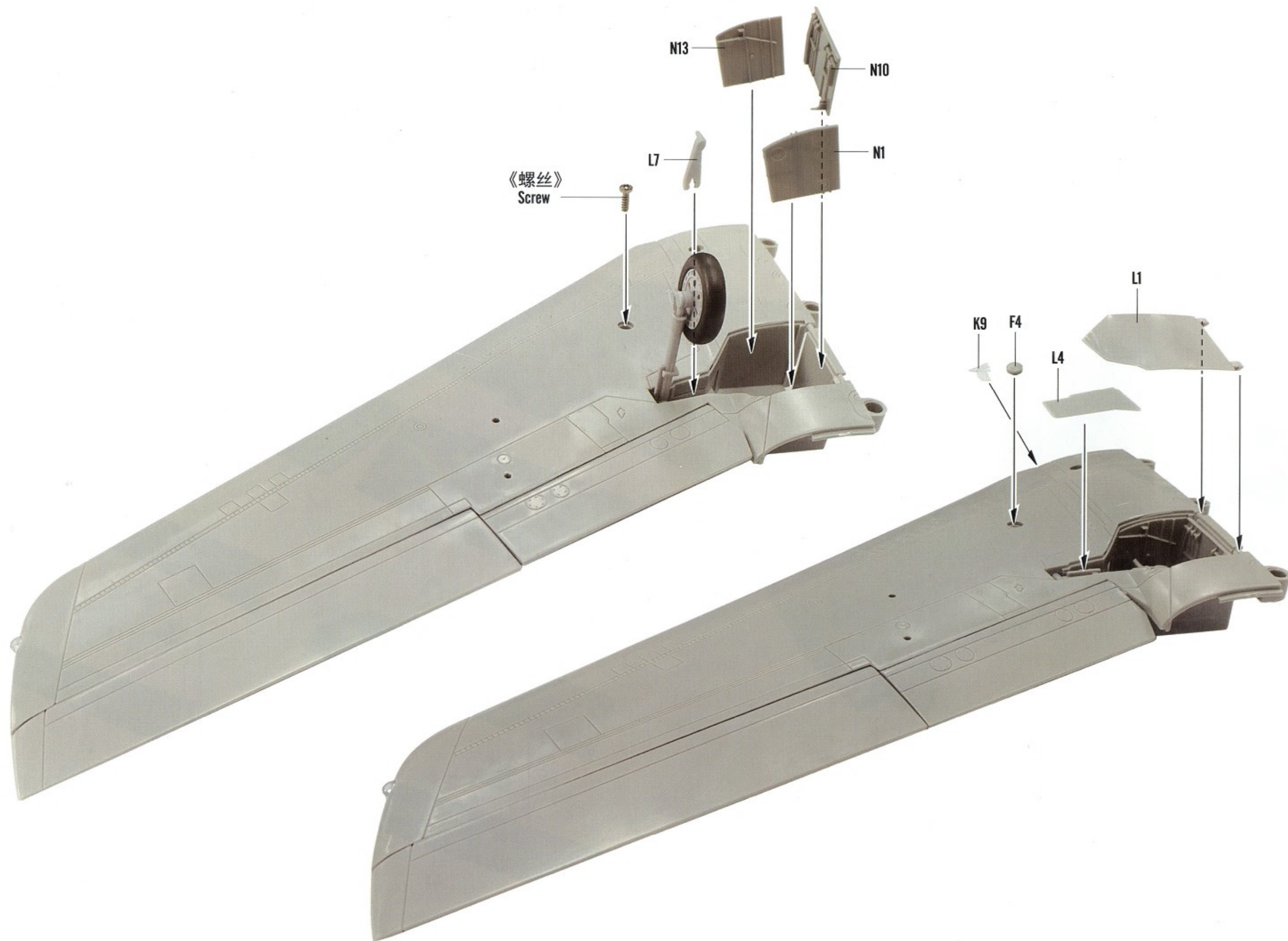
13
STEP

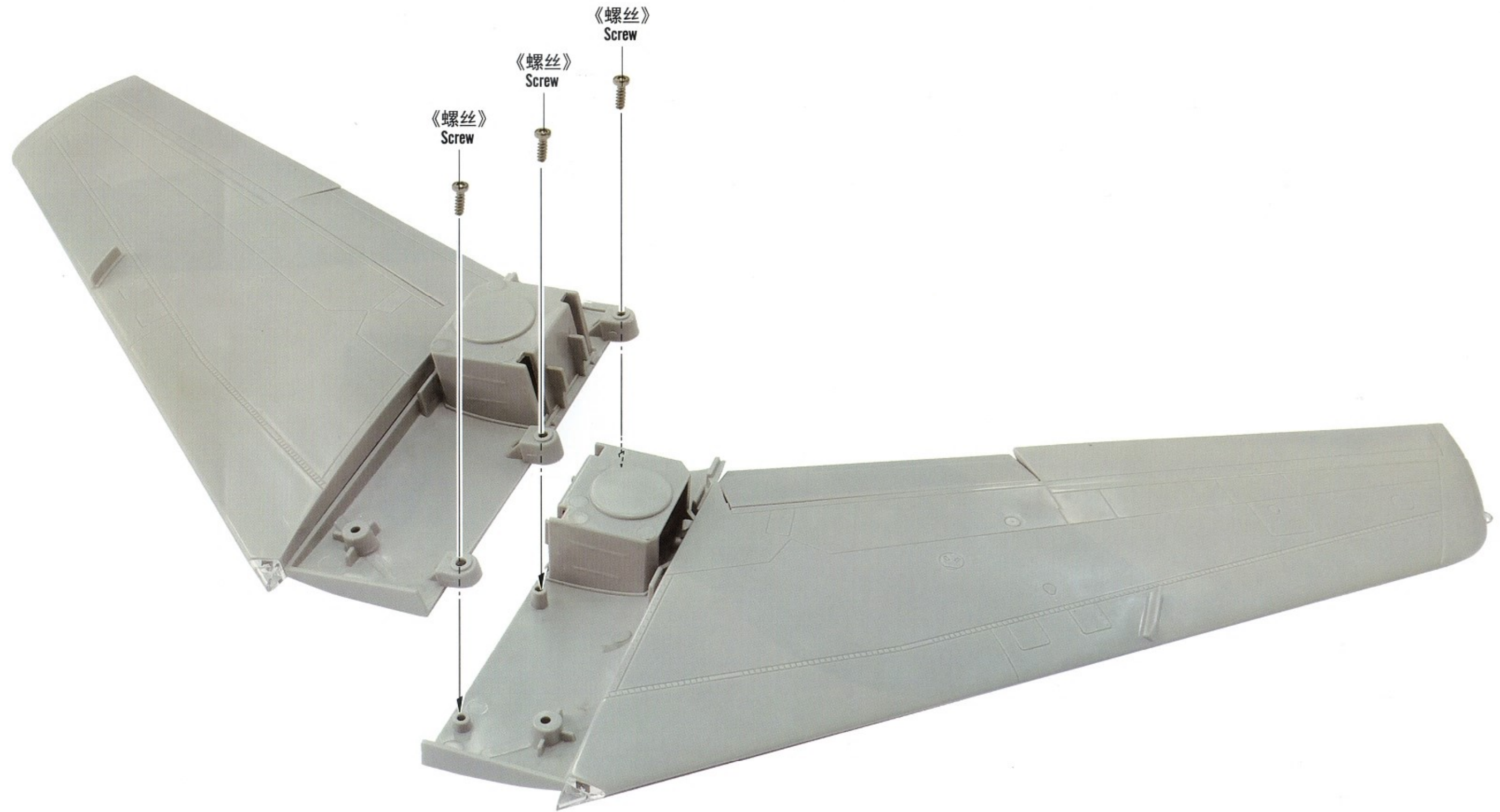


1
STEP



15
STEP



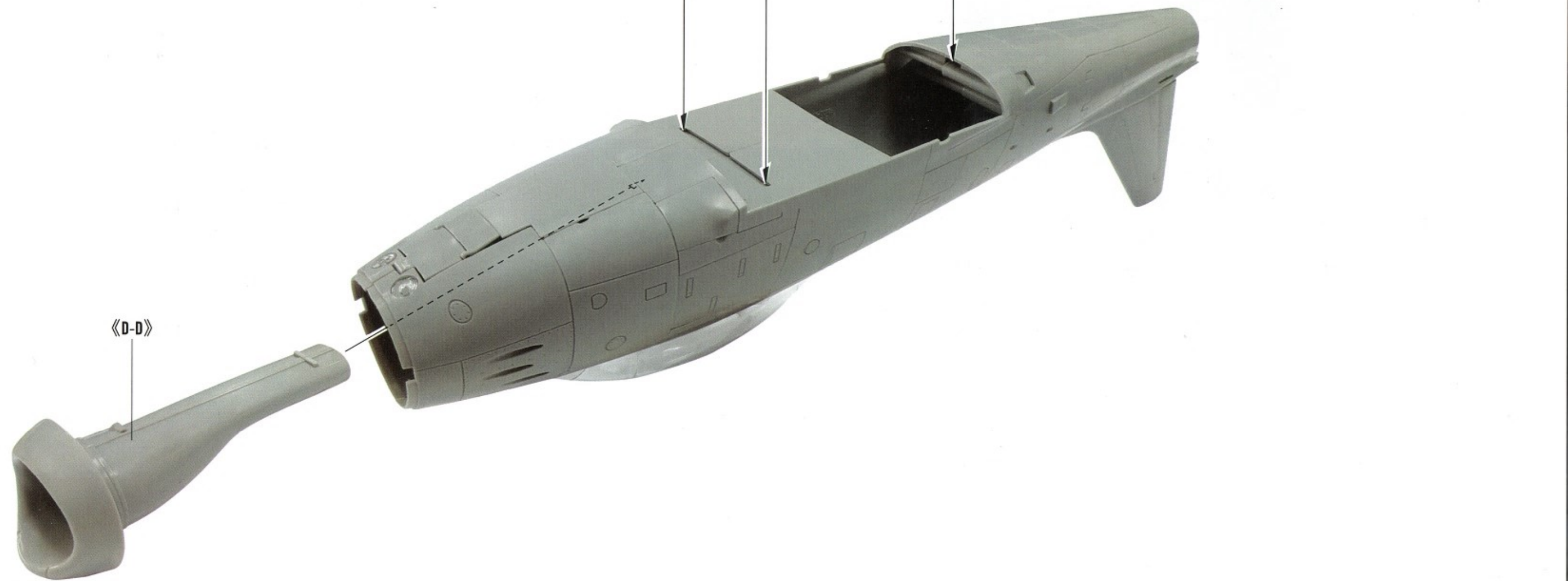


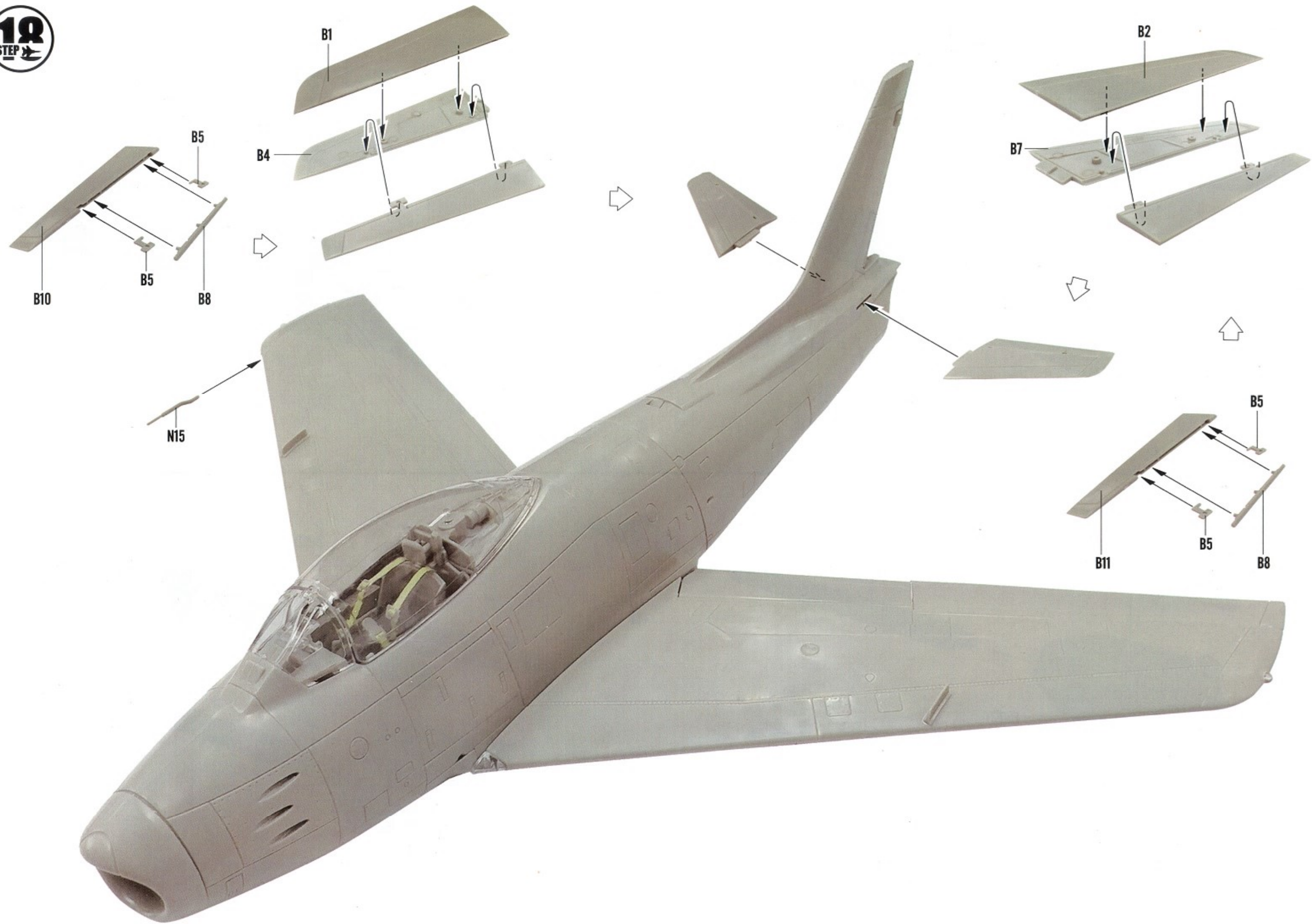
17
STEP

《螺丝》
Screw

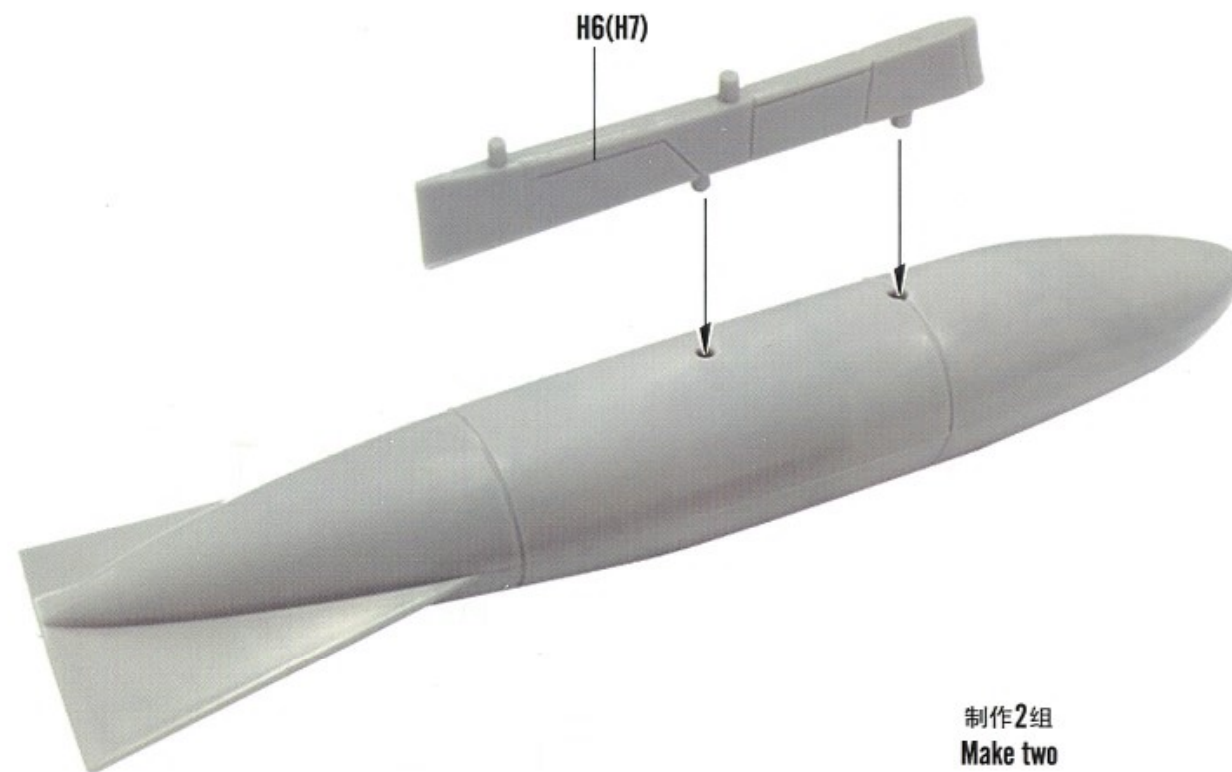
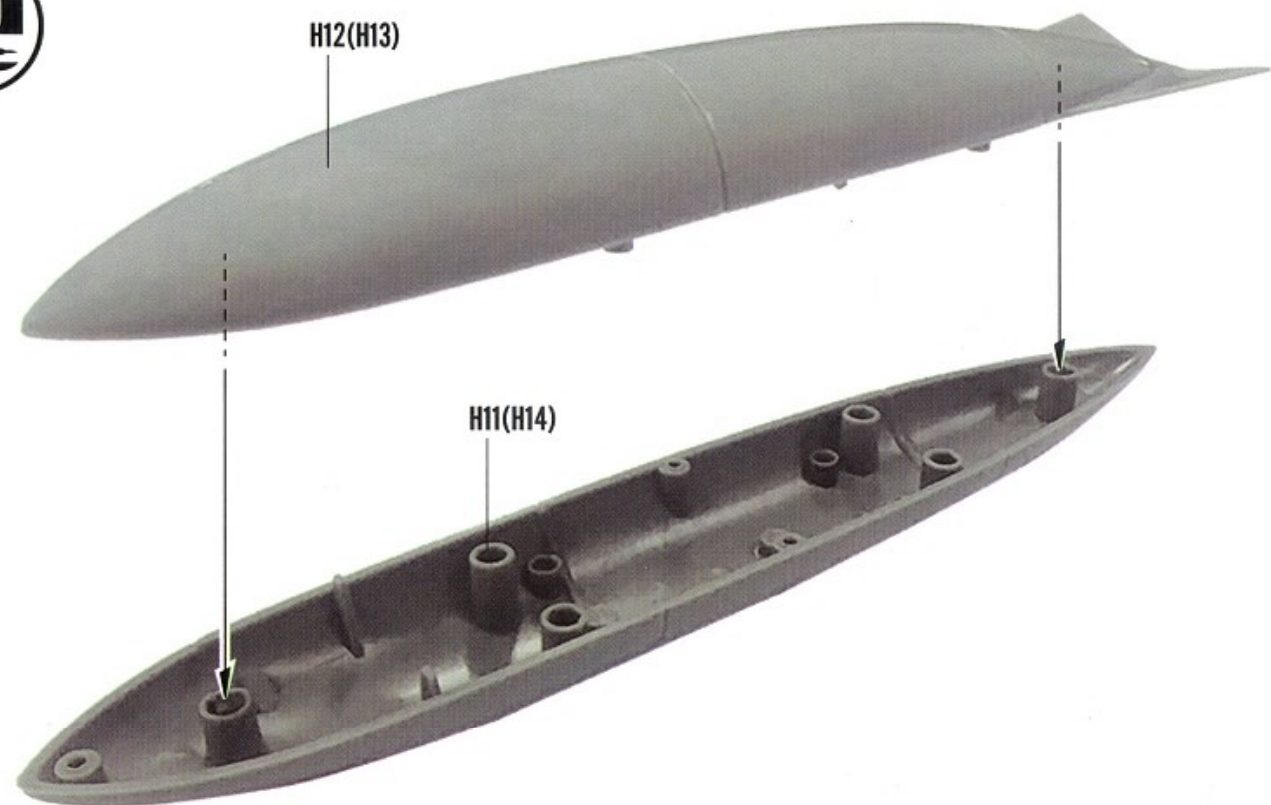
F5

《螺丝》
Screw



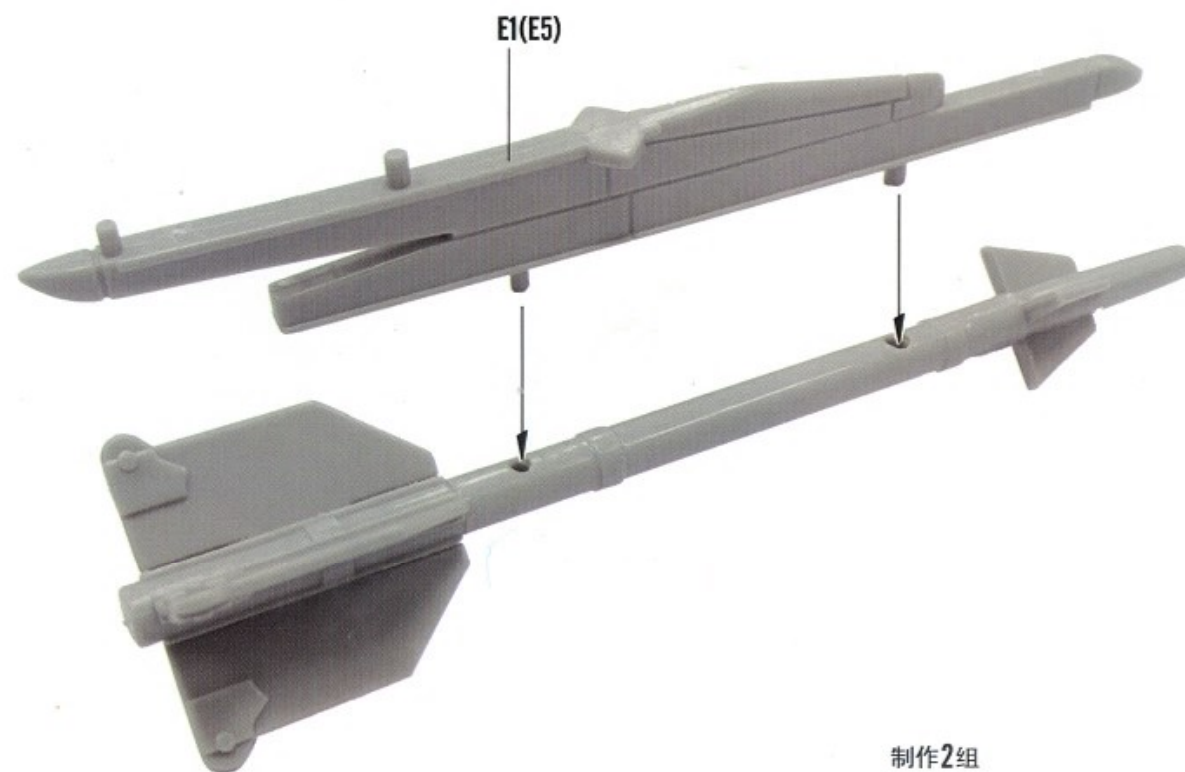
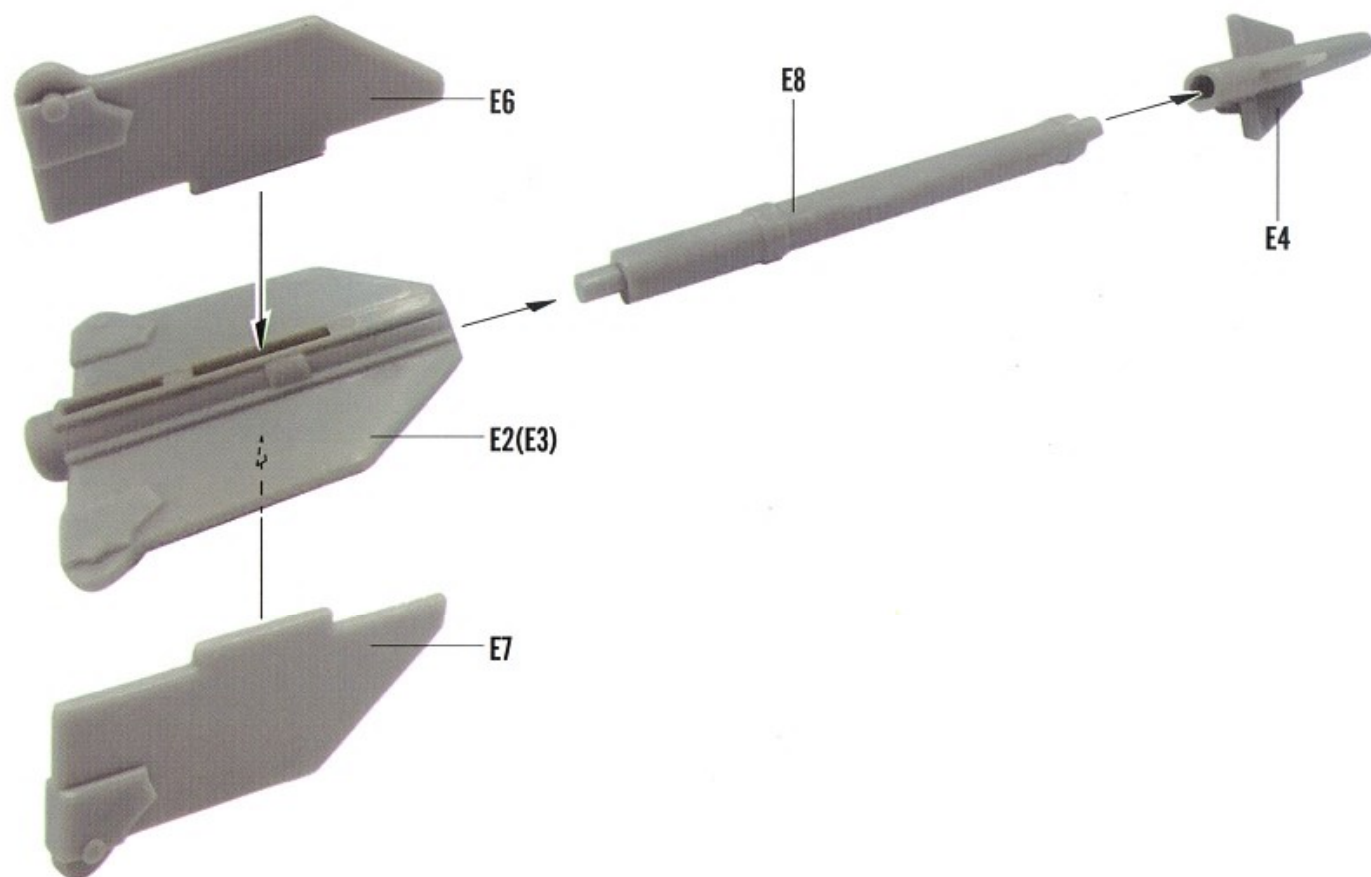


10
STEP

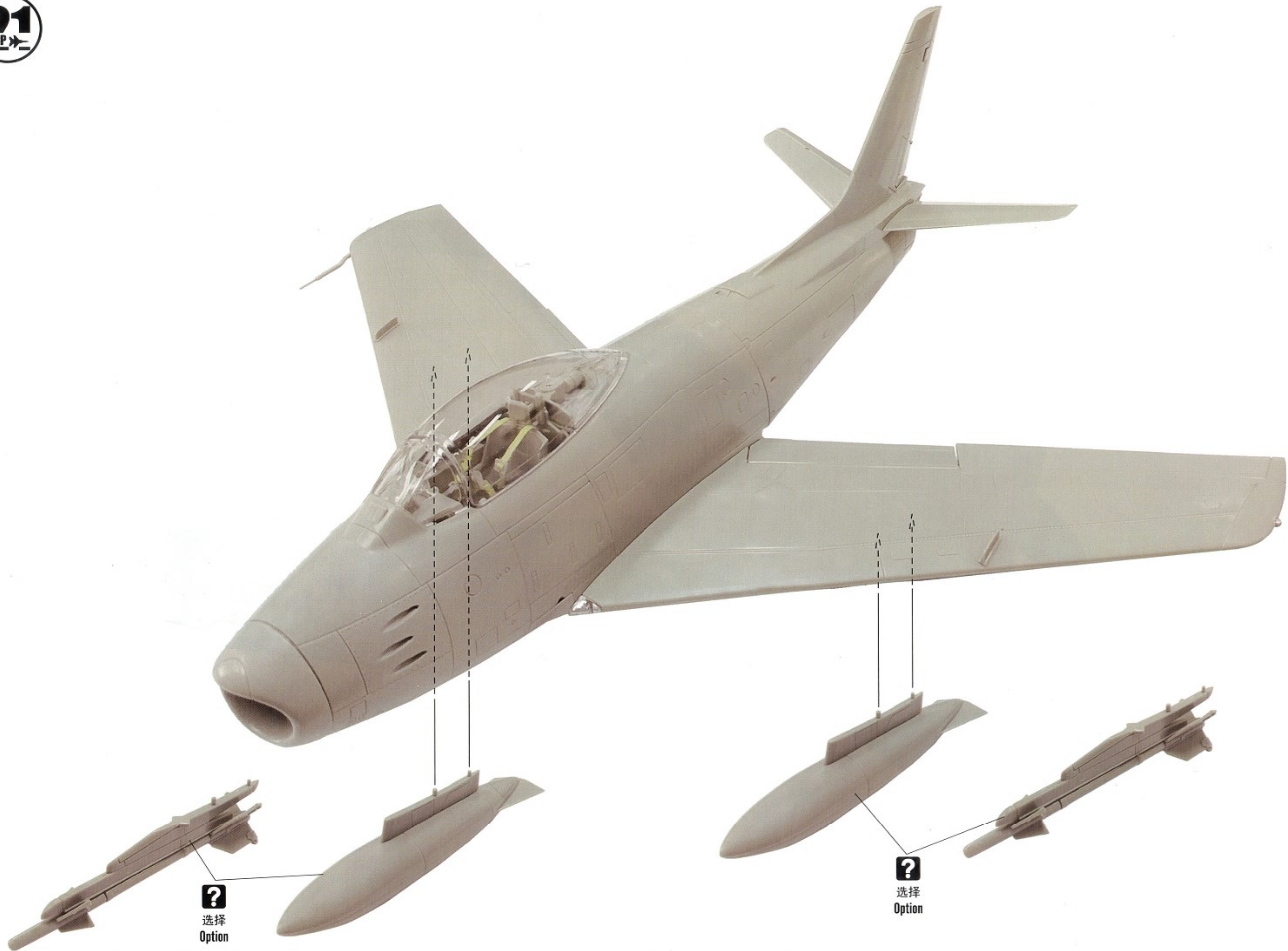


制作2组
Make two

20
STEP



制作2组
Make two



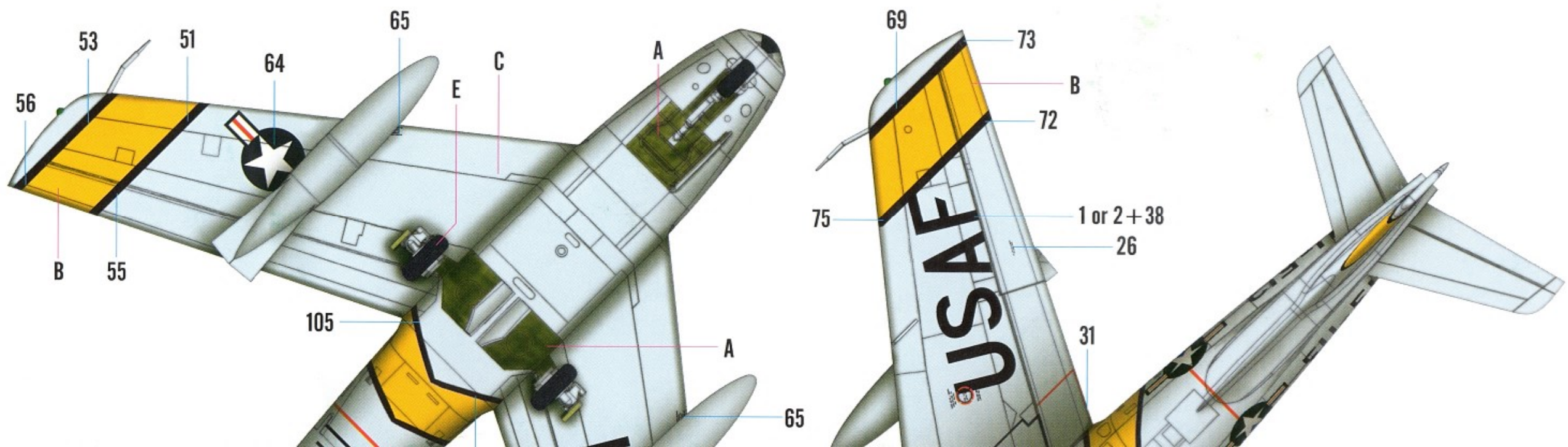
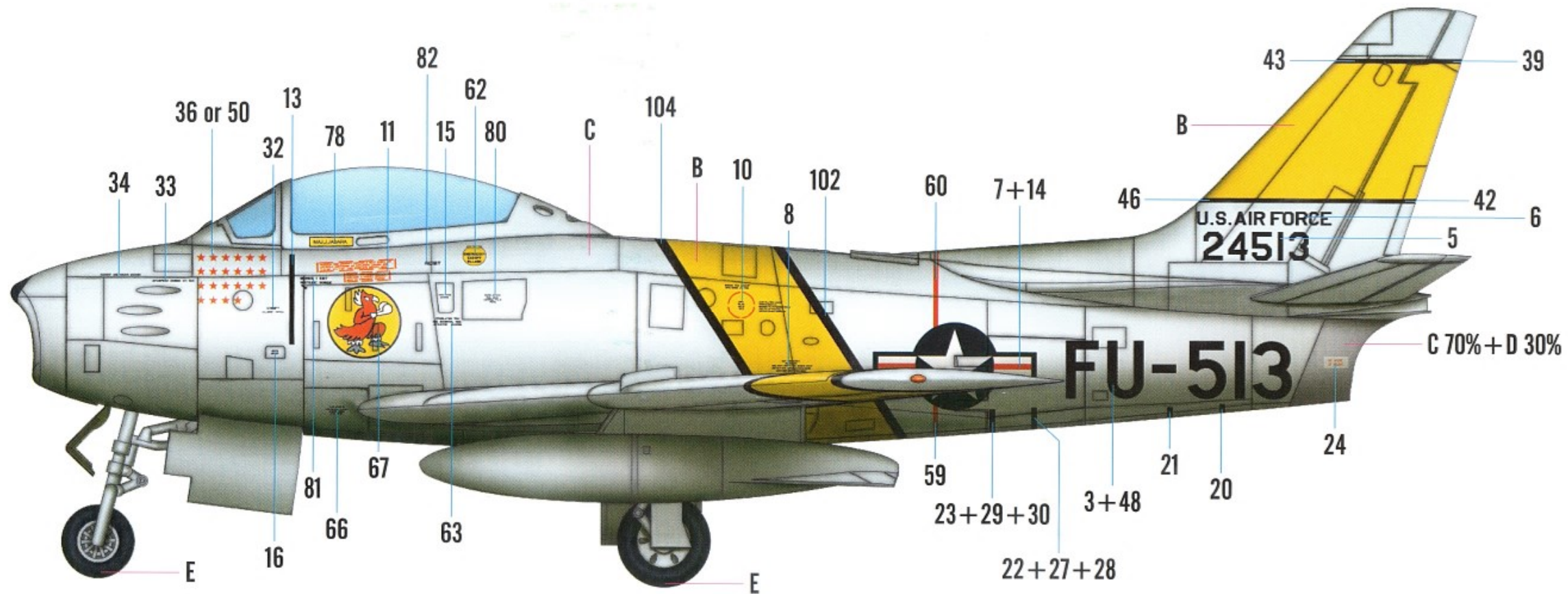
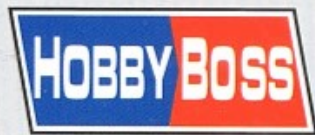


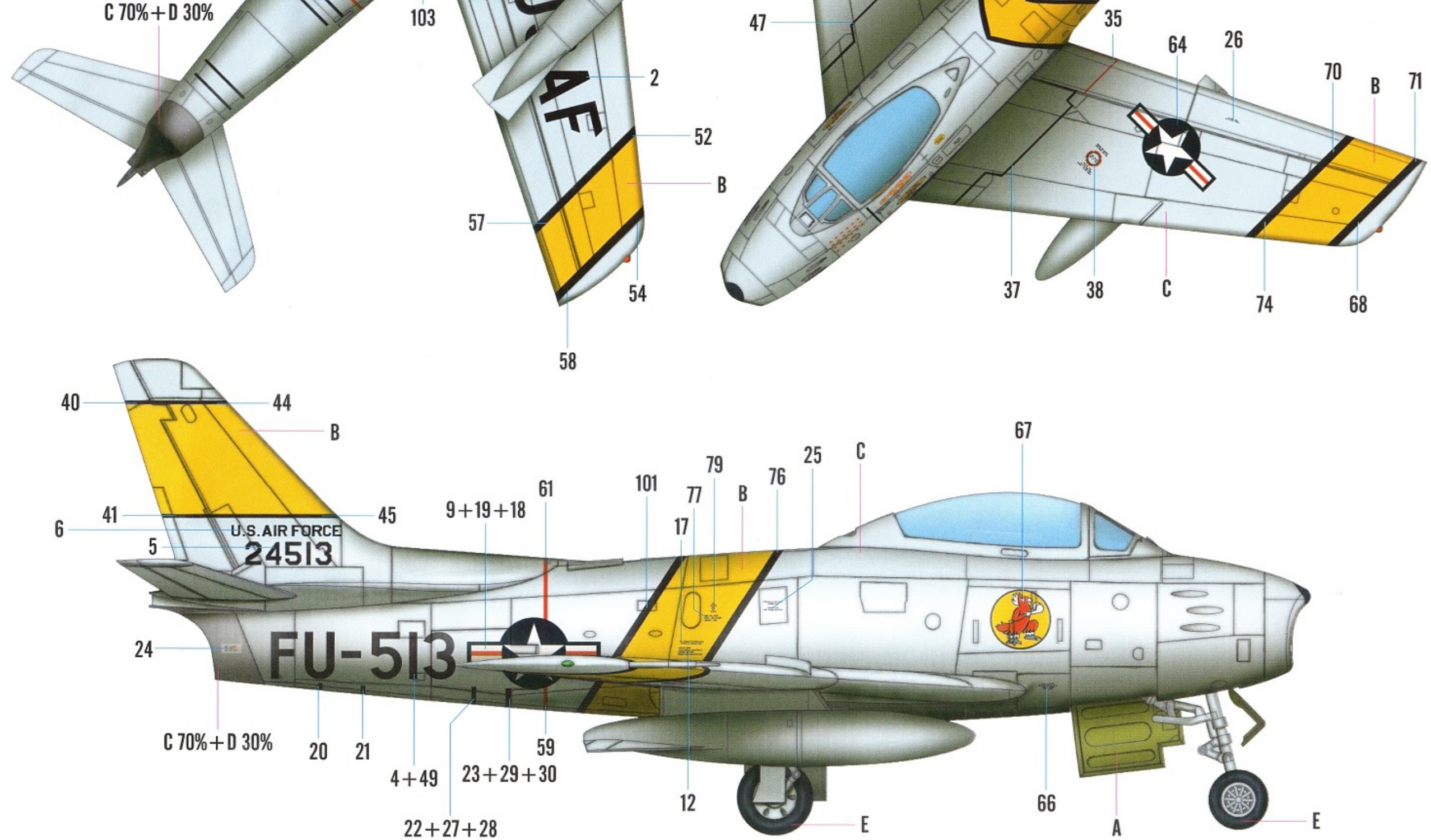
标贴与涂装

MARKING & PAINTING

F-86F-30 "Sabre"

F-86F-30 セイバー F-86F-30 "佩刀" 战斗机



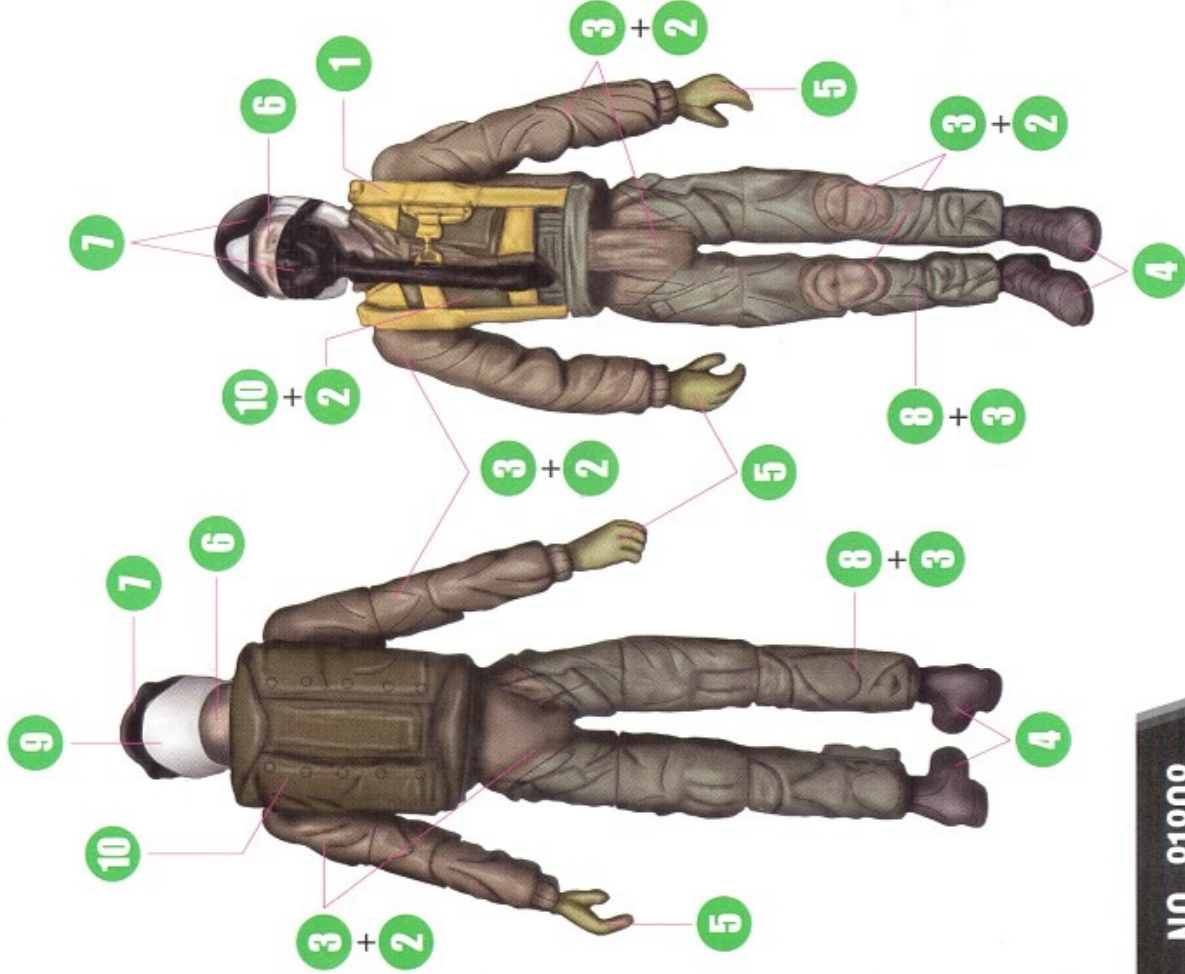


| Color | Mr.Hobby | Acrycion | Vallejo | Model Master | Tamiya | Humbrol | Color | Mr.Hobby | Acrycion | Vallejo | Model Master | Tamiya | Humbrol |
|----------------------------------|-------------|----------|---------|--------------|--------|---------|----------------------------|------------|----------|---------|--------------|--------|---------|
| A 机体内部色 Interior Green | H [58] 27 | N [58] | -- | -- | -- | -- | D 烧铁色 Burnt Iron | H [76] 61 | N [76] | 863 | 1795 | X10 | 53 |
| B 黄色 Orange Yellow | H [329] 329 | N [329] | -- | 1514 | X8 | 188 | E 胎黑色 Tire Black | H [77] 137 | N [77] | 991 | 1740 | XF54 | 140 |
| C 银色 Silver | H [8] 8 | N [8] | 997 | 1546 | X11 | 11 | | | | | | | |

H AQUEOUS HOBBY COLOR Mr. COLOR N ACRYCION COLOR

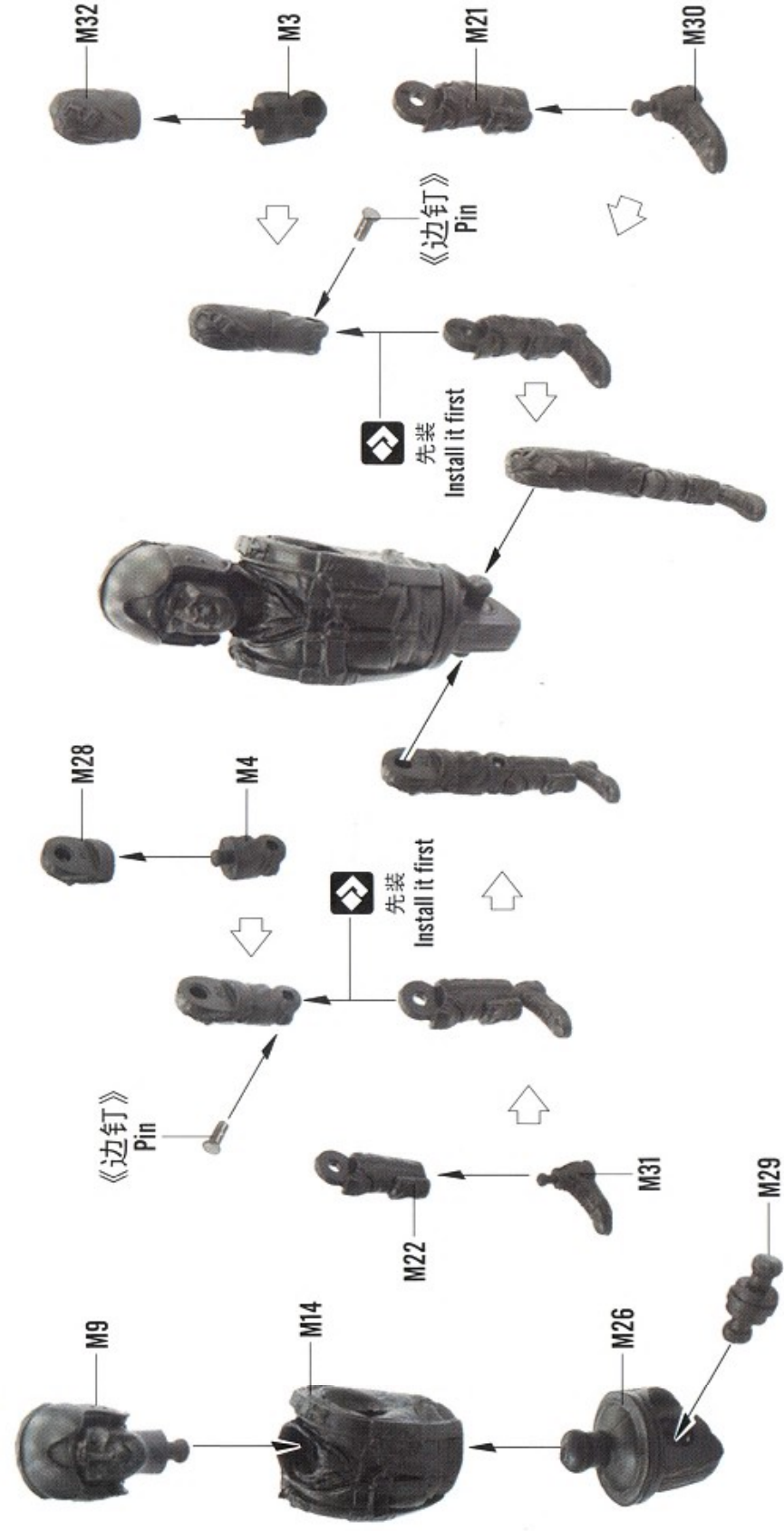
※ Some paints may not be available in your country. Please check your local hobby shop for substitute

NO.:81808



| Color | Mr.Hobby | Acrycion | Vallejo | Model Master | Tamiya | Humbrol |
|---------------------------|-----------|----------|---------|--------------|--------|---------|
| 1 黄色 Orange Yellow | H 329 329 | N 329 | -- | 1514 | X8 | 188 |
| 2 消光白 Flat White | H 11 62 | N 11 | 951 | 1768 | XF2 | 34 |
| 3 暗绿色 Rim71 Dark Green | H 64 17 | N 64 | -- | -- | -- | -- |
| 4 透明黑 Semi Gloss Black | H -- 92 | N -- | 950 | -- | X18 | -- |
| 5 机体内部色 Interior Green | H 58 27 | N 58 | -- | -- | -- | -- |
| 6 肌肤色 Flesh | H 44 51 | N 44 | 955 | 1516 | XF15 | 61 |
| 7 黑色 Black | H 2 2 | N 2 | 861 | 1747 | X1 | 21 |
| 8 浅海灰(军舰) Dark Gray(1) | H 82 31 | N 82 | -- | -- | XF53 | -- |
| 9 白色 White | H 1 1 | N 1 | 824 | 1745 | X2 | 22 |
| 10 卡其色 Khaki | H 81 55 | N 81 | 988 | -- | XF49 | 26 |

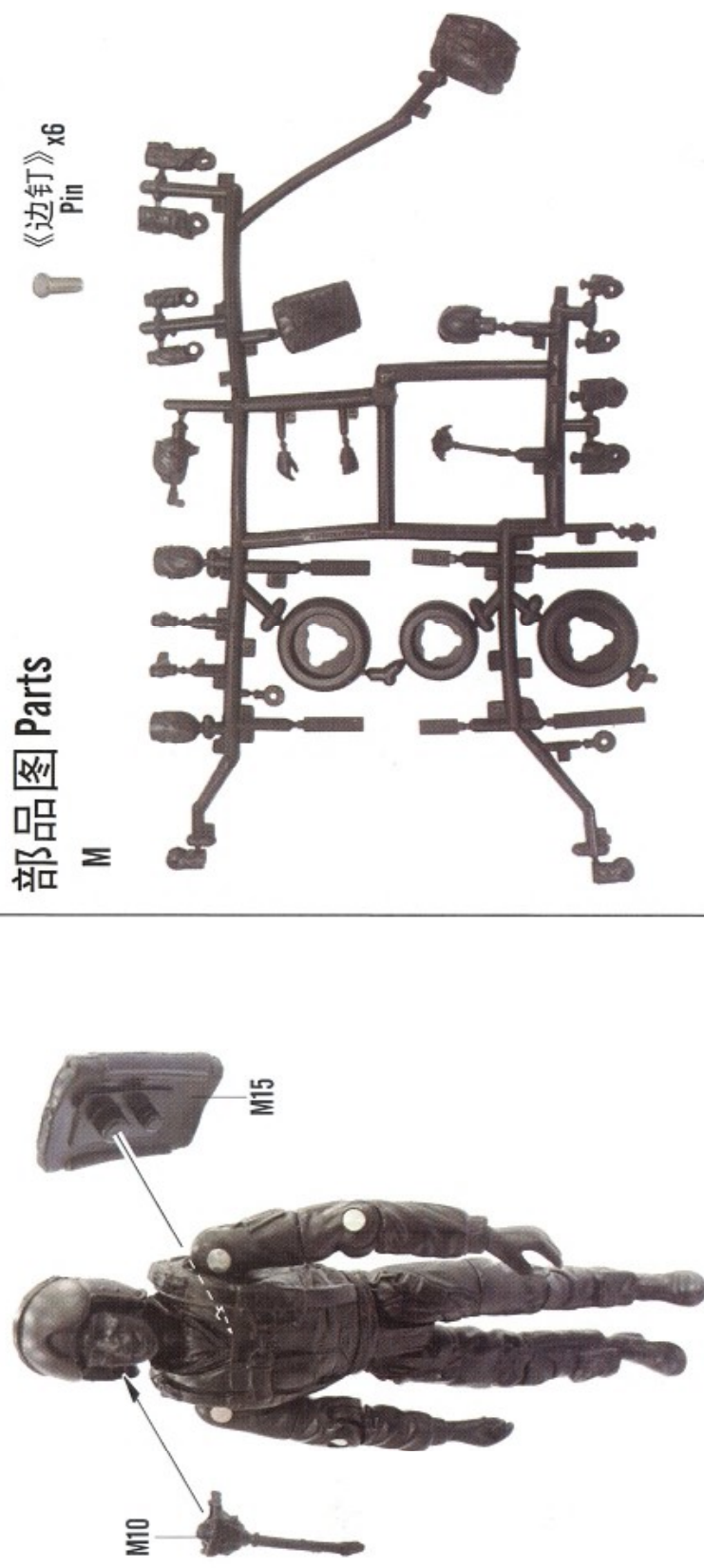
1



2



3



部品图 Parts

M

《边钉》x6
Pin

