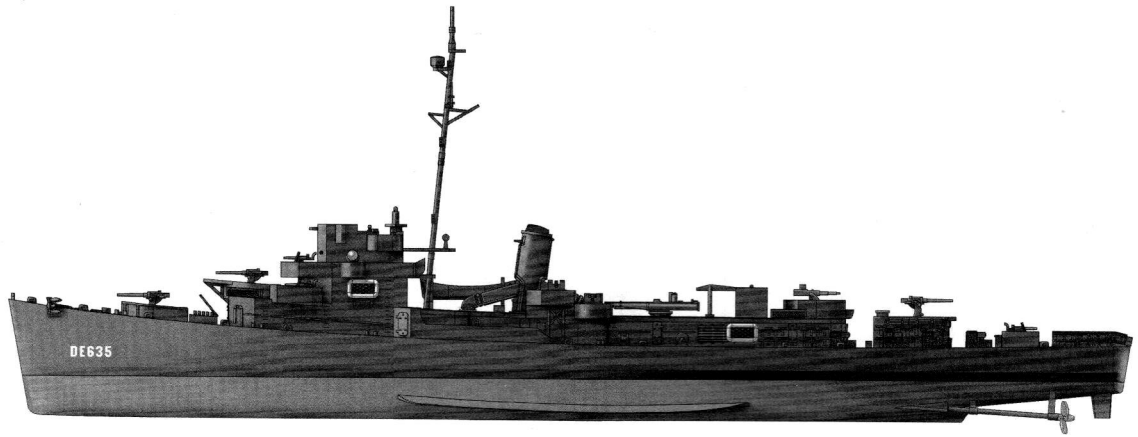


USS ENGLAND DE-635

美国海军英格兰号驱逐舰DE-635



READ BEFORE ASSEMBLY

- Study and understand this instructions thoroughly before beginning assembly.
- Remove all injection pins carefull using a modeling file.
- Cut off the photo-etched parts carefully using a modeling knife. Be sure not to lose small parts.
- Apply instant cement to photo etched parts and shafts. Apply too much instant cement will cause movable parts to stick. Apply cement carefully.
- Extra eare should be taken to avoid personal injury when handling the photo etched parts.
- Some parts should depend on decals. Select piror to assembly.
- Tools recommended: (Not included in this kit)
- Cement; Side cutters; Long nose pliers; Modeling knife; Modeling file; Tweezers; Pin vise; Scissors; Instant cement.
- Soft cloth and sand paper will also assist in construction.
- Glue and paints are not in cluded in the kit. Use plastic cement or paints only.
- Keep out of reach of small children. Children must not be allowed to suck any part, or pull vinyl bay over the head.

装配之前仔细阅读

- 小心用模型锉刀锉平所有零件表面的注射浇口。
- 小心用刀片切下蚀刻片零件，不要遗失小零件。
- 用强力快干胶水粘合蚀刻片零件和金属轴。过量的快干胶水使用可能导致可动零件会粘住，小心涂胶。
- 取蚀刻片时应特别注意安全，防止利边划伤手指。
- 某些零件表面需贴水上贴纸，请选择在装配的同时进行。
- 推荐模型工具(自备)：胶水，水口剪刀，长咀钳，刀片，锉刀，镊子钳，钻，剪刀，瞬间快干胶。
- 软布同砂纸同时也应该是必备工具。
- 请使用塑料胶水和油漆，模型内不含。
- 谨防小孩吸吮塑料零件，或者将塑料袋套在头上，制作时应将套材远离小孩接触。
- 本产品不适合14岁以下没有经验的模型爱好者。



cyanoacrylate glue
使用强力胶



weight
配重



make hole
钻孔



cut / remove
切除



bend
弯曲



file / sand
锉平



option
选择



no cement
不涂胶水



decal
贴纸

水贴纸的使用:

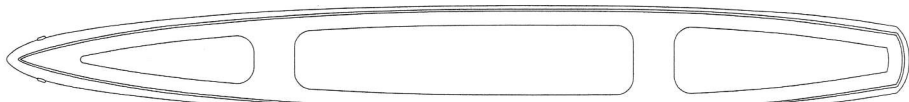
1. 从水贴纸上剪下印花;
2. 将印花放入温水中浸10秒，然后放在干净布上。
3. 拿着印花纸板将印花移到模型上;
4. 手指蘸水将印花移到适当的位置;
5. 用软布轻压印花直至水干，气泡消失。

DECAL APPLICATION

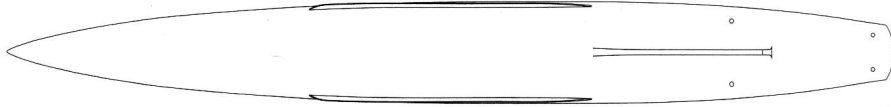
1. Cut off decal from sheet.
2. Dip the decal in tepid water 40°C for about 10 sec. and place on a clean cloth.
3. Hold the backing sheet edge and slide decal onto the model.
4. Move decal into position by wetting decal with finger.
5. Press decal gently down with a soft cloth until excess water and air bubbles are gone.

部品图 Parts

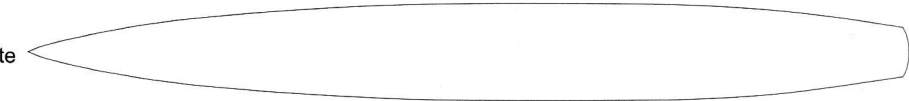
上船体
Upper Hull



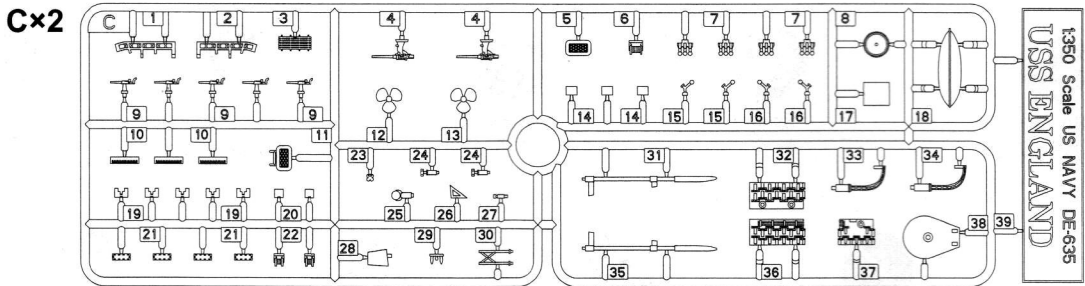
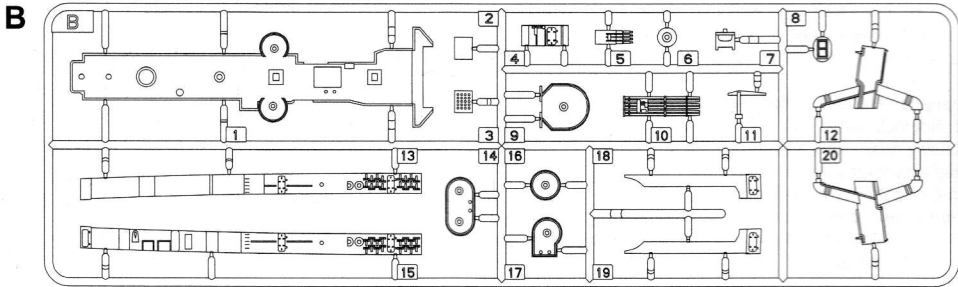
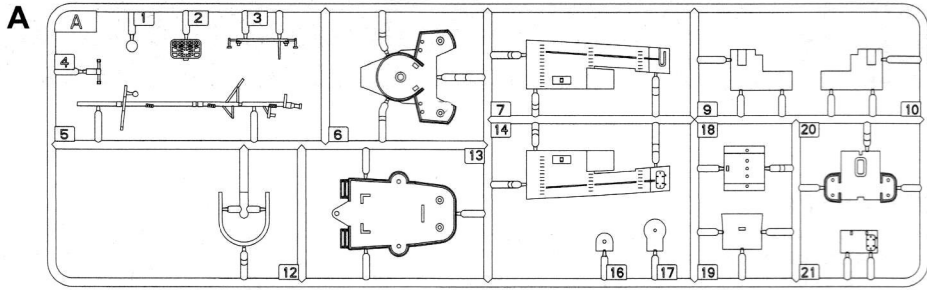
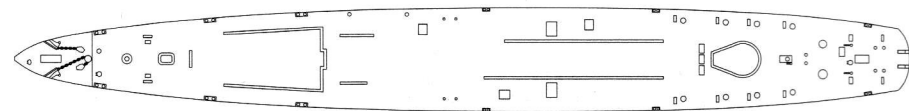
下船体
Lower Hull



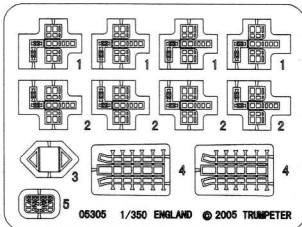
水线板
Water Line Plate



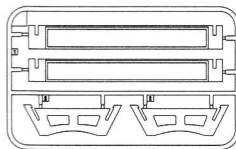
甲板
Deck



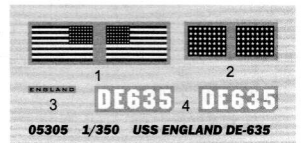
蚀刻片
Photo Etched



座架
Stand



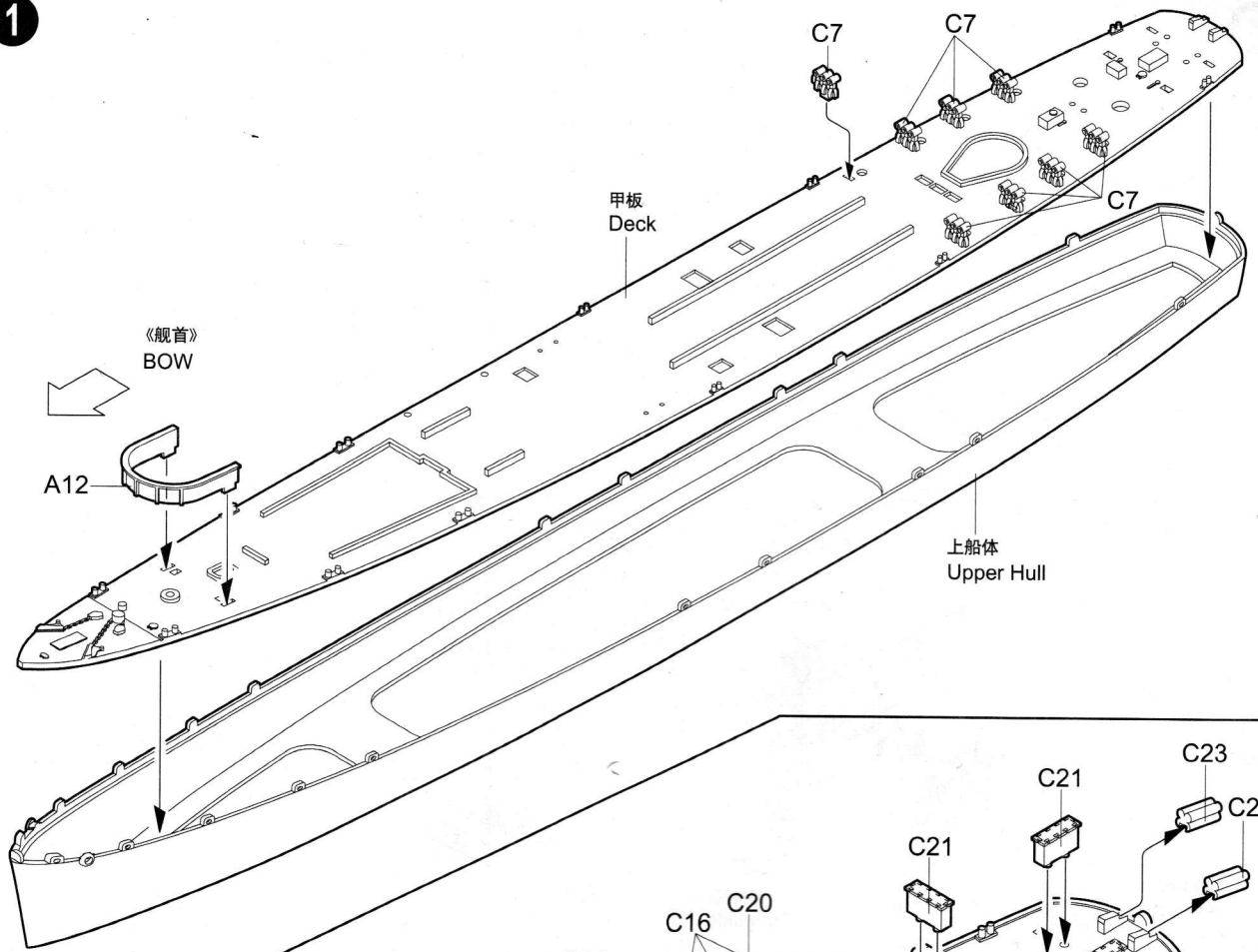
水贴纸
Decal



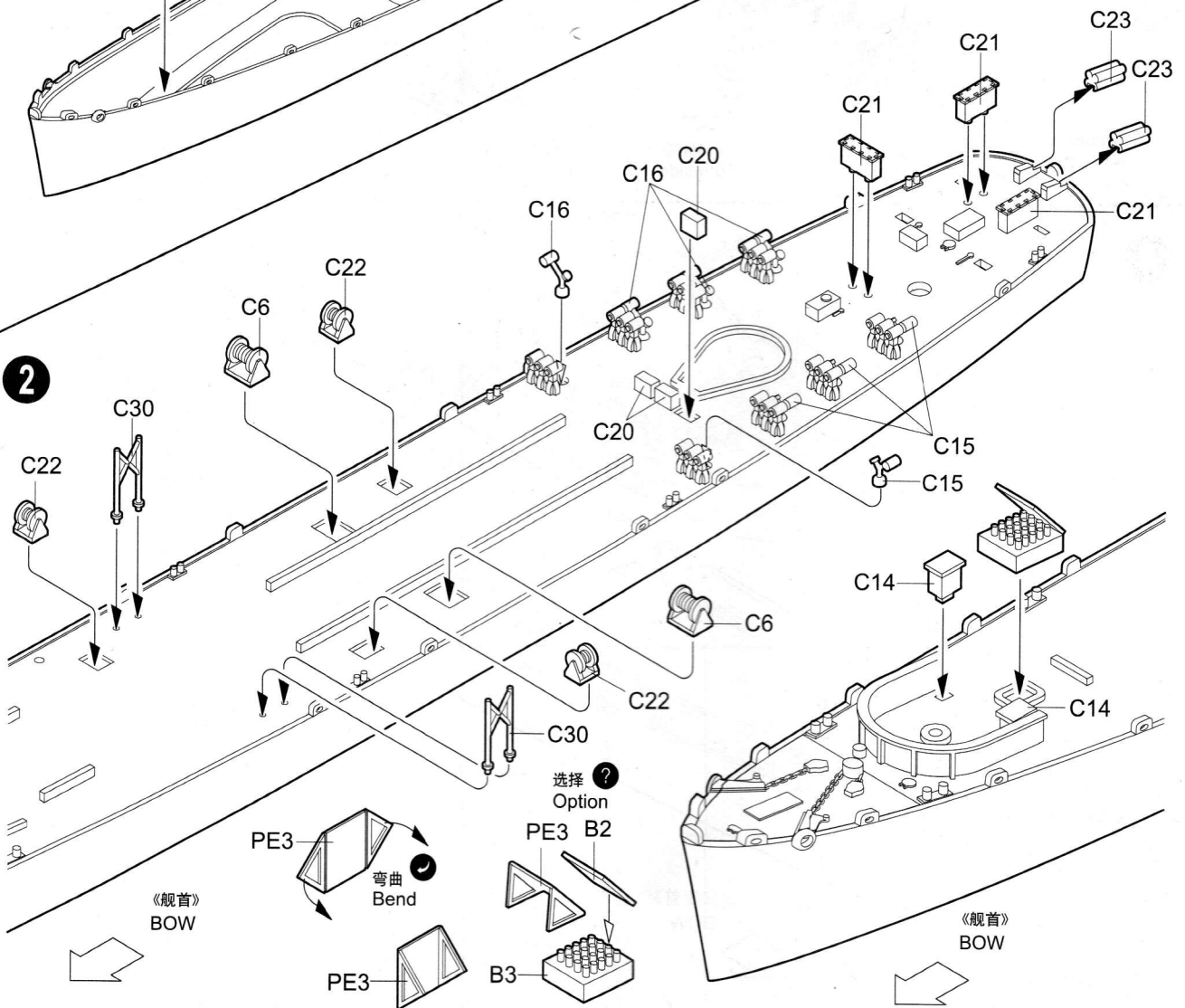
(不用部品)

No used parts: C4、C8、C10、C12、C13、C17、C18、C21、C22、C31、C32、C33、C34、C35、C36、C37、C38、C39

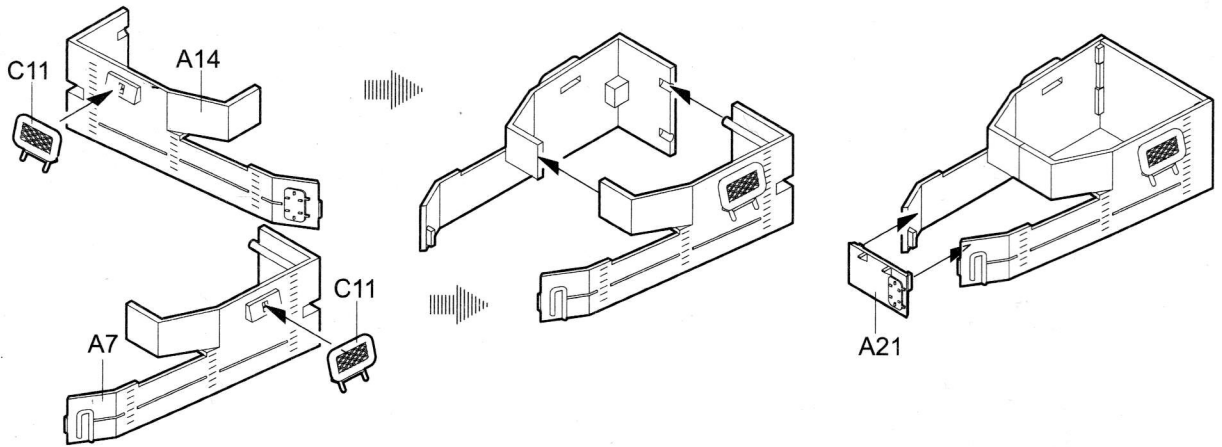
1



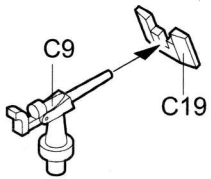
2



3

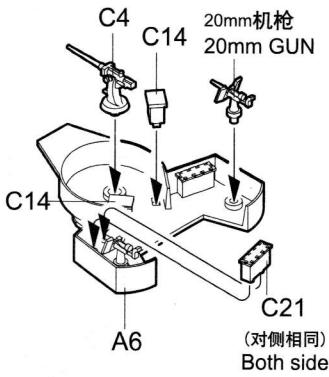


20mm机枪
20mm GUN

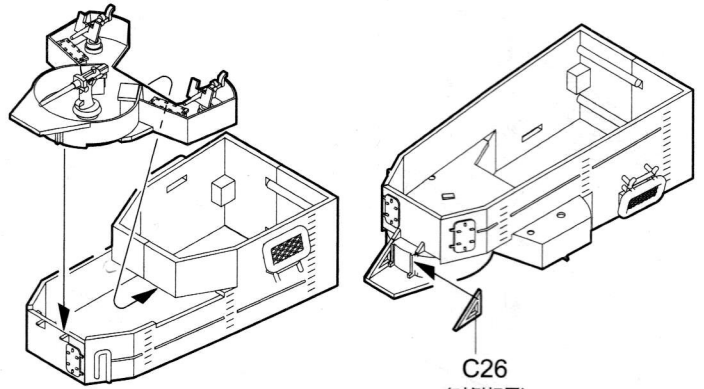


制作10组
Make ten

(对侧相同)
Both side
20mm机枪
20mm GUN

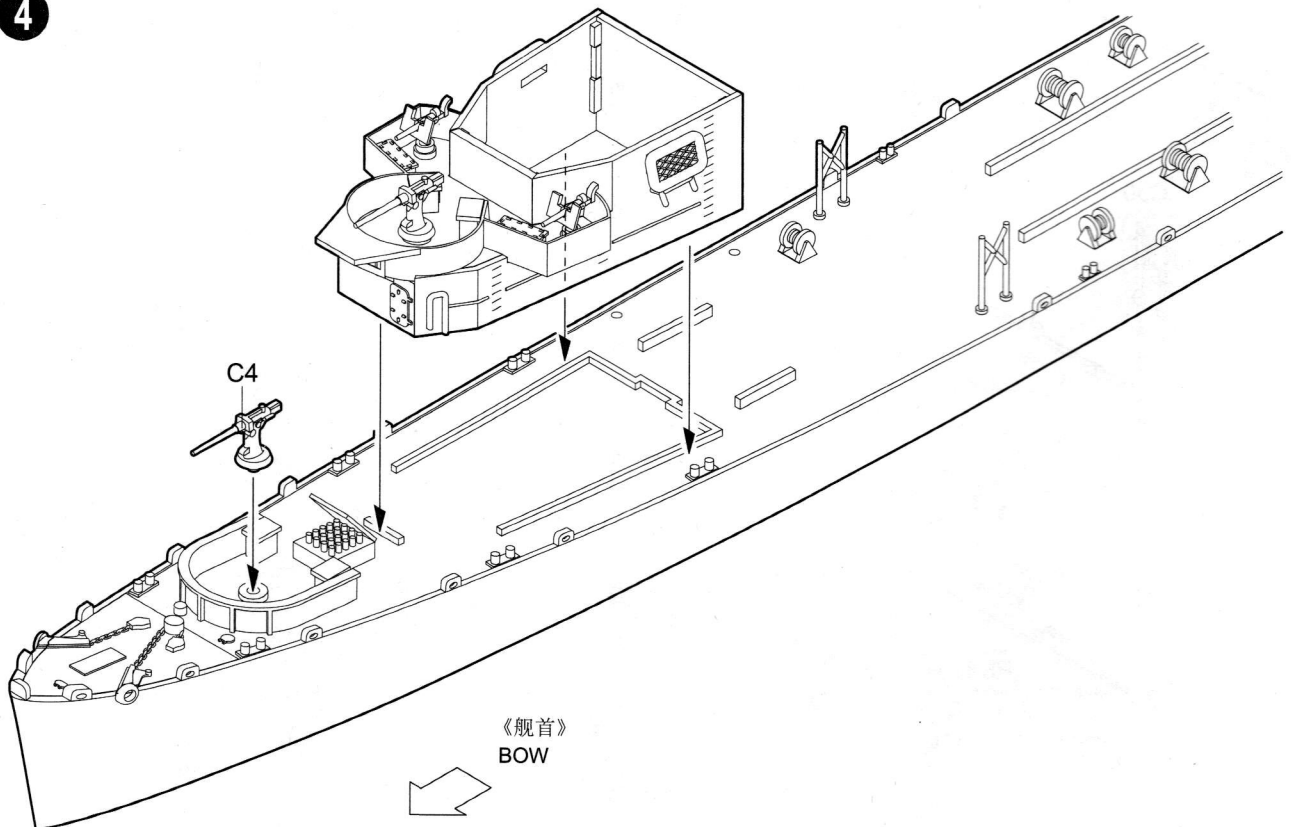


(对侧相同)
Both side

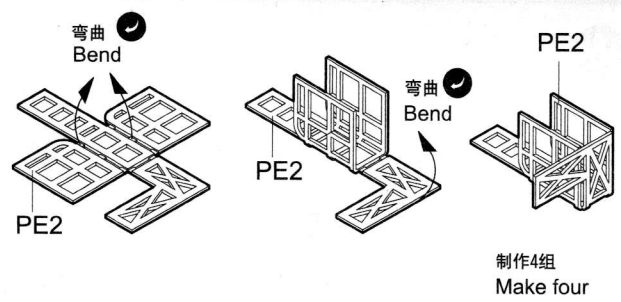
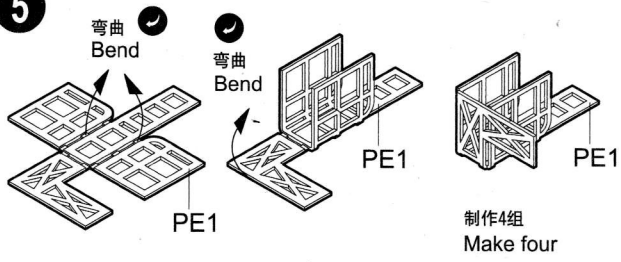


C26
(对侧相同)
Both side

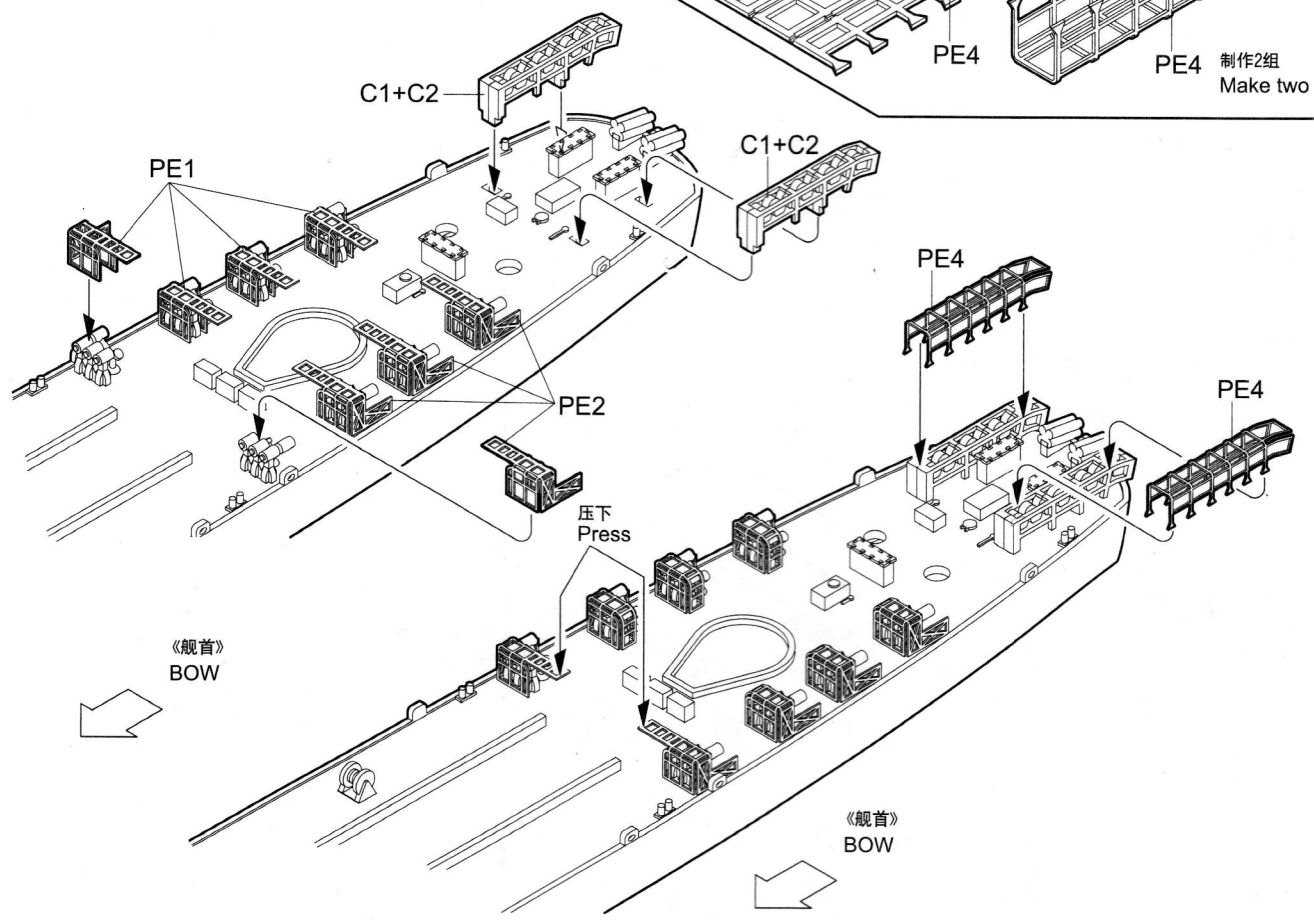
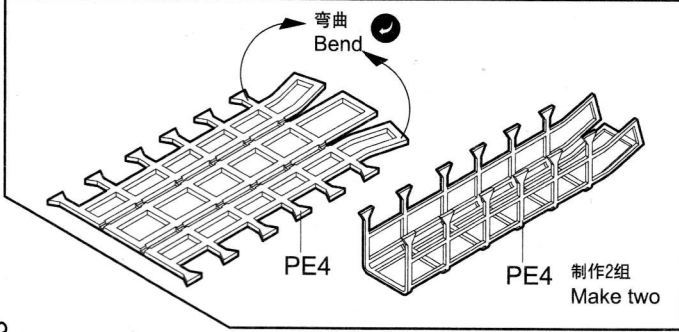
4



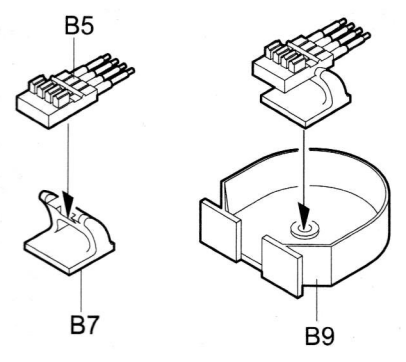
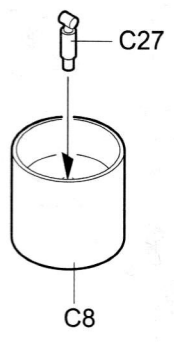
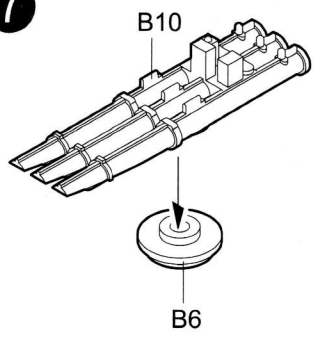
5



6

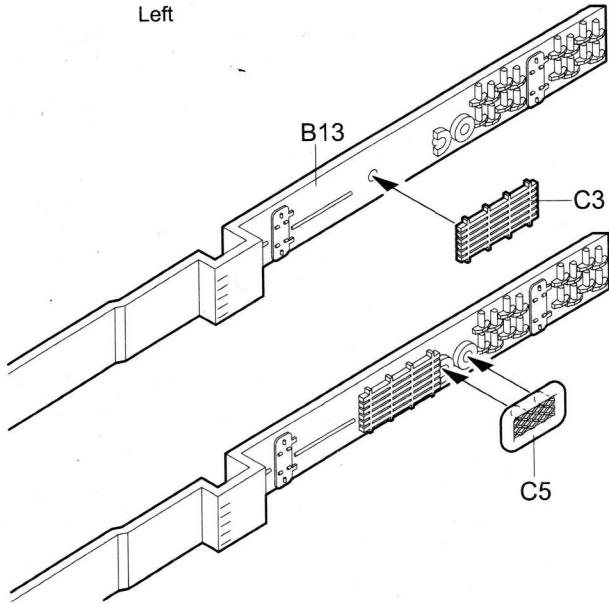


7

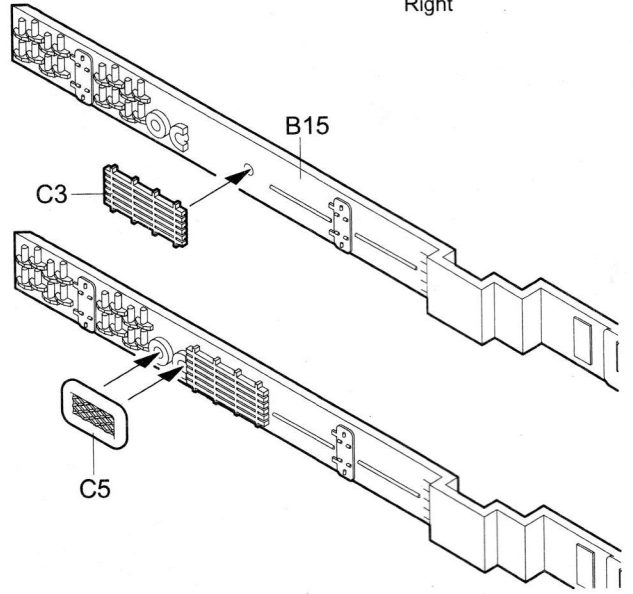


8

左
Left

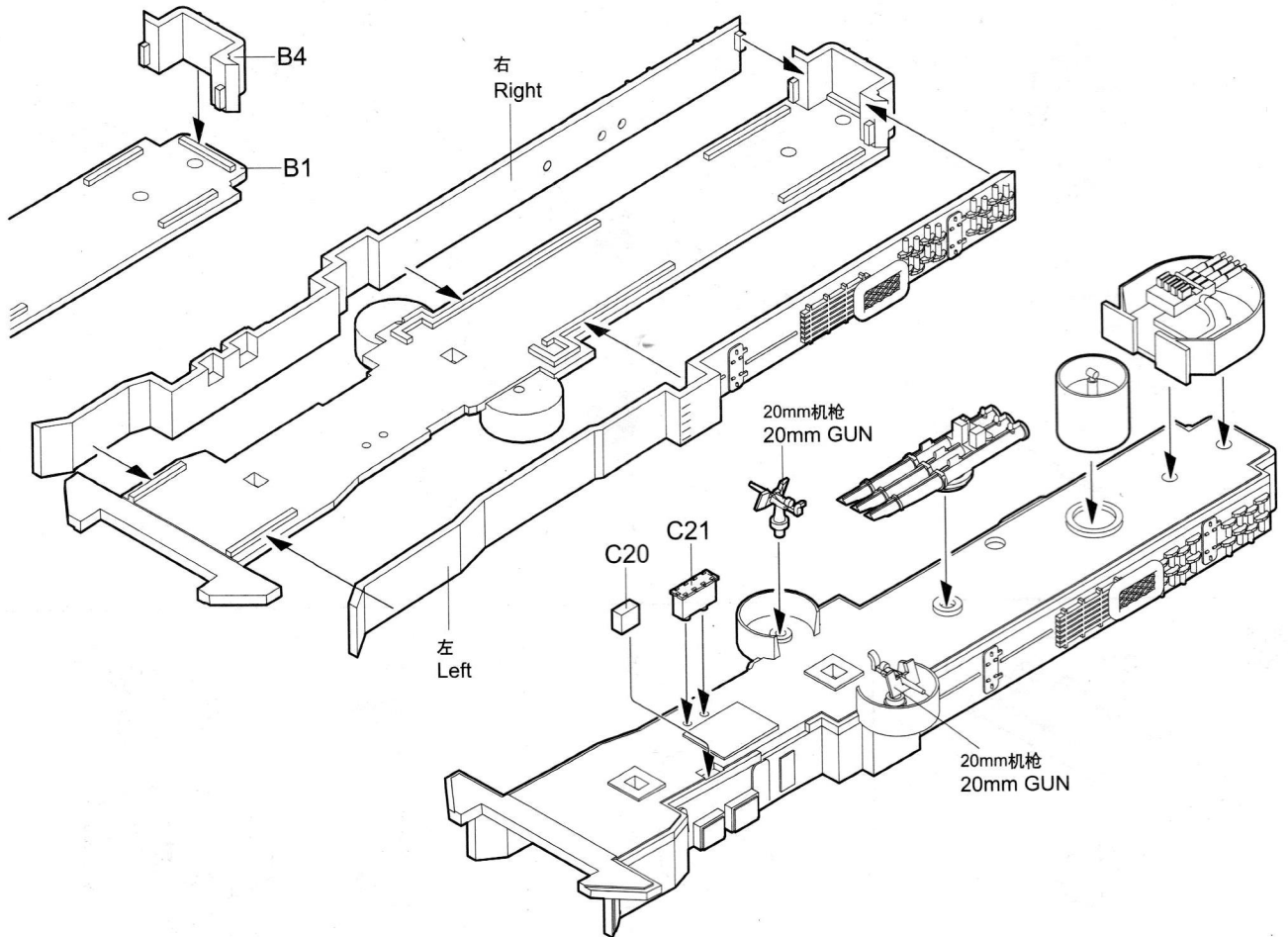


右
Right



9

右
Right

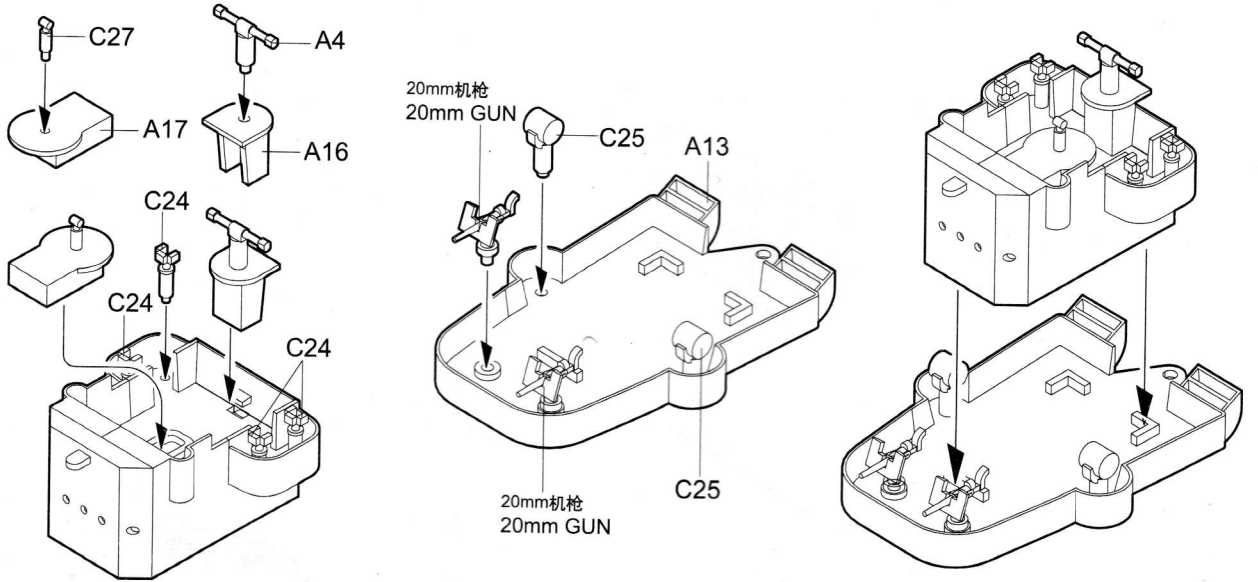
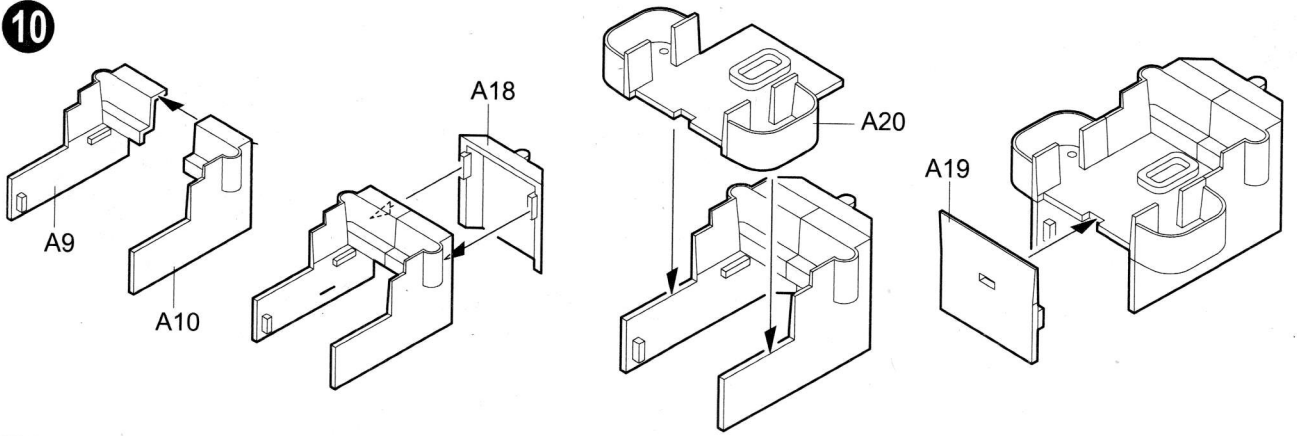


左
Left

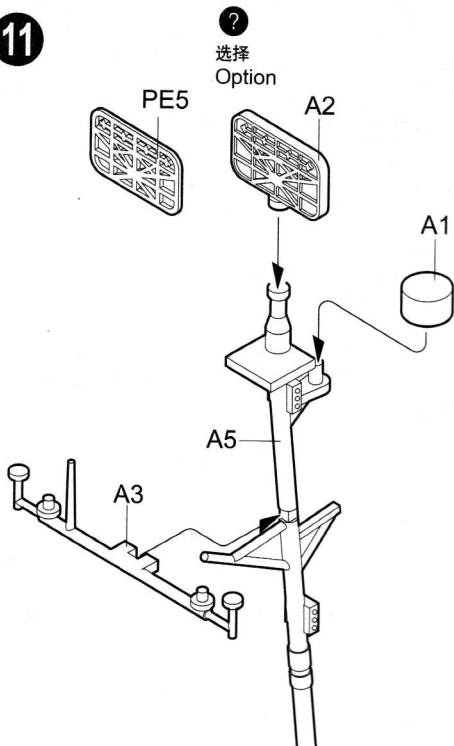
20mm机枪
20mm GUN

20mm机枪
20mm GUN

10

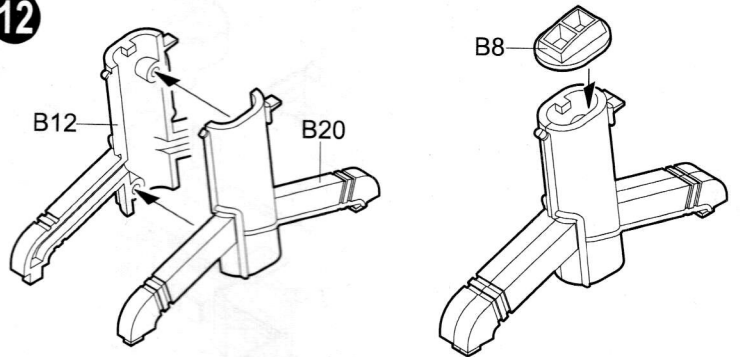


11

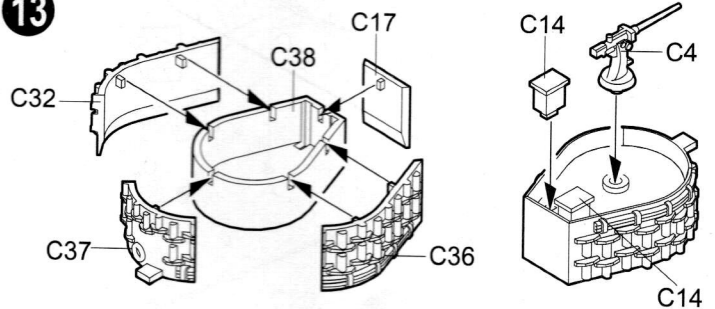


选择
Option

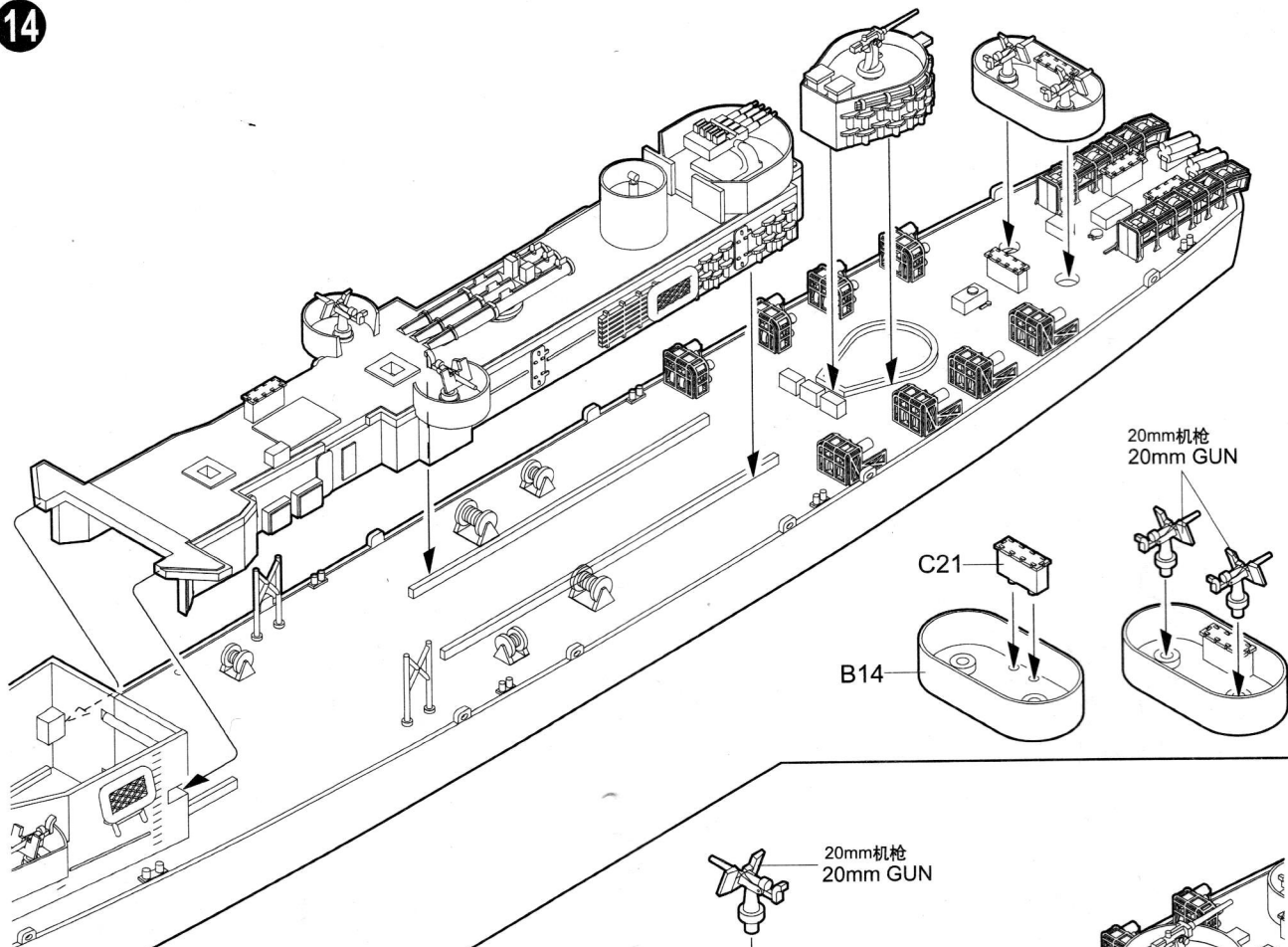
12



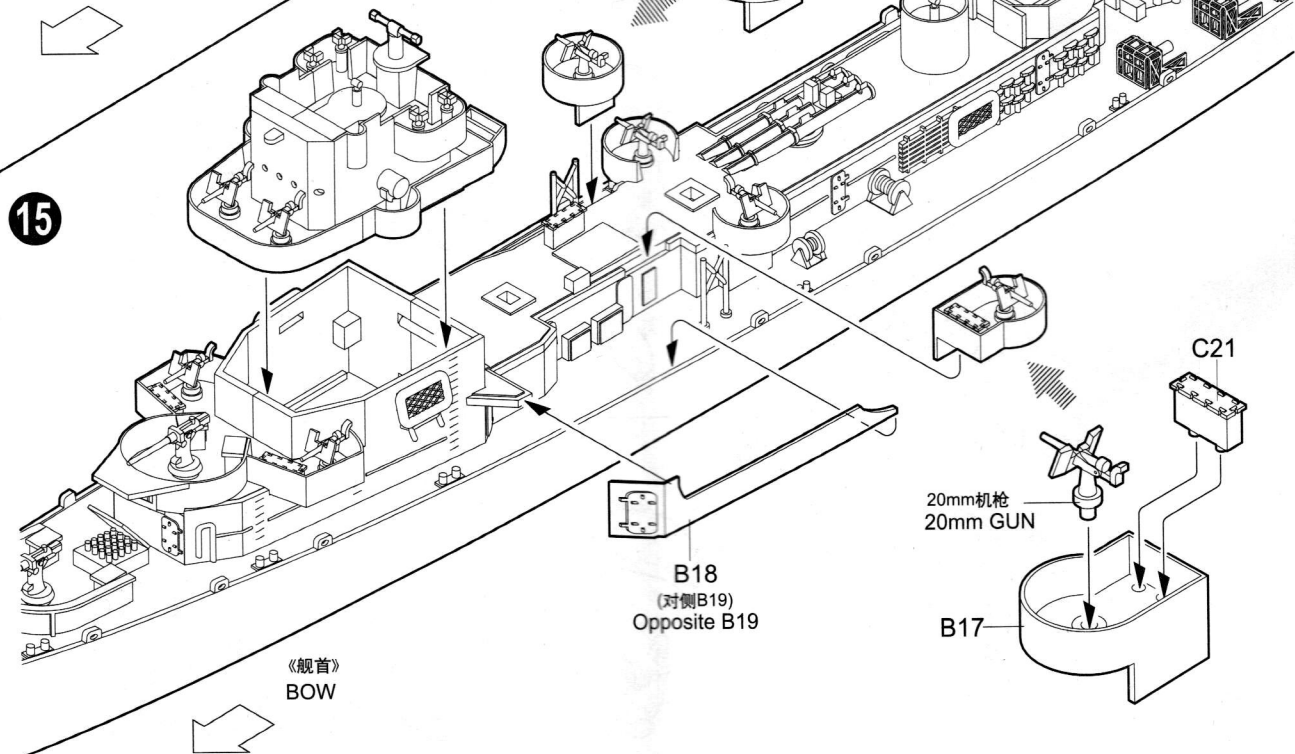
13



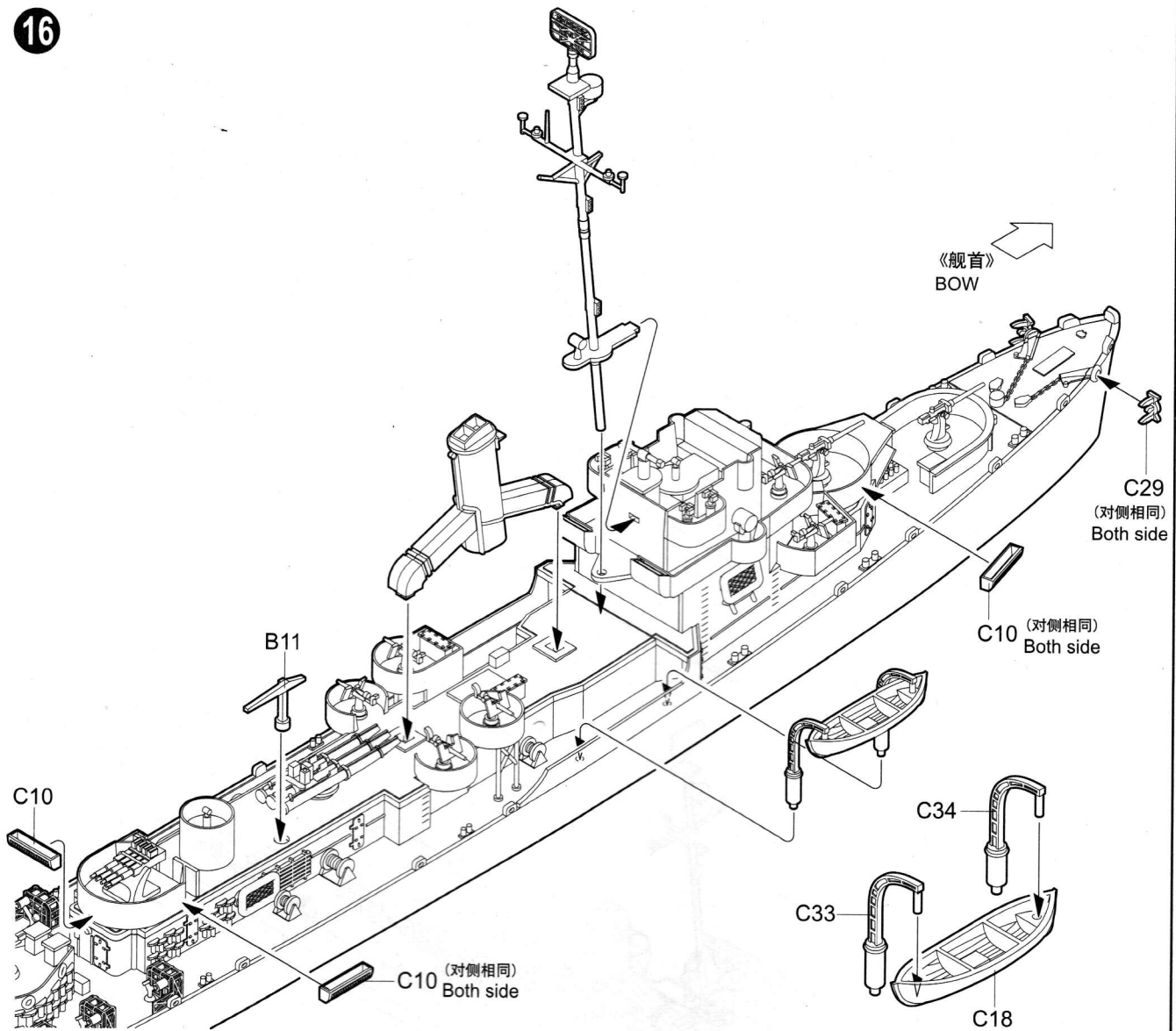
14



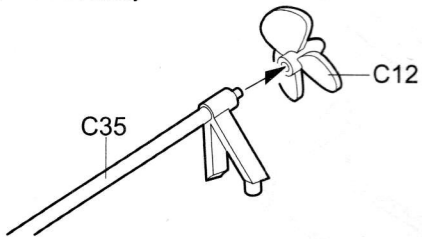
《舰首》
BOW



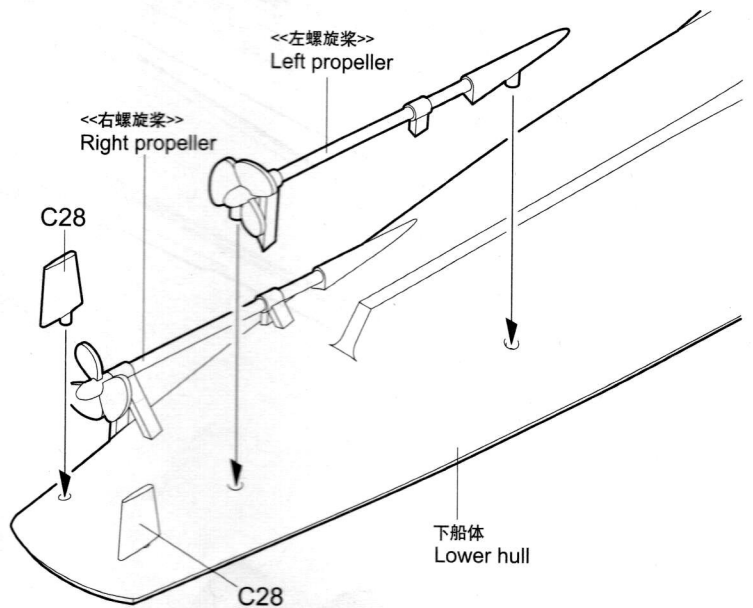
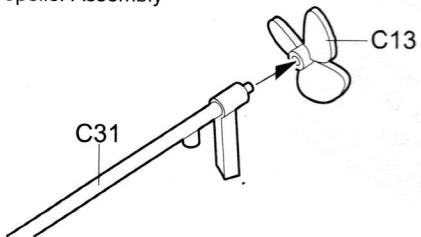
《舰首》
BOW

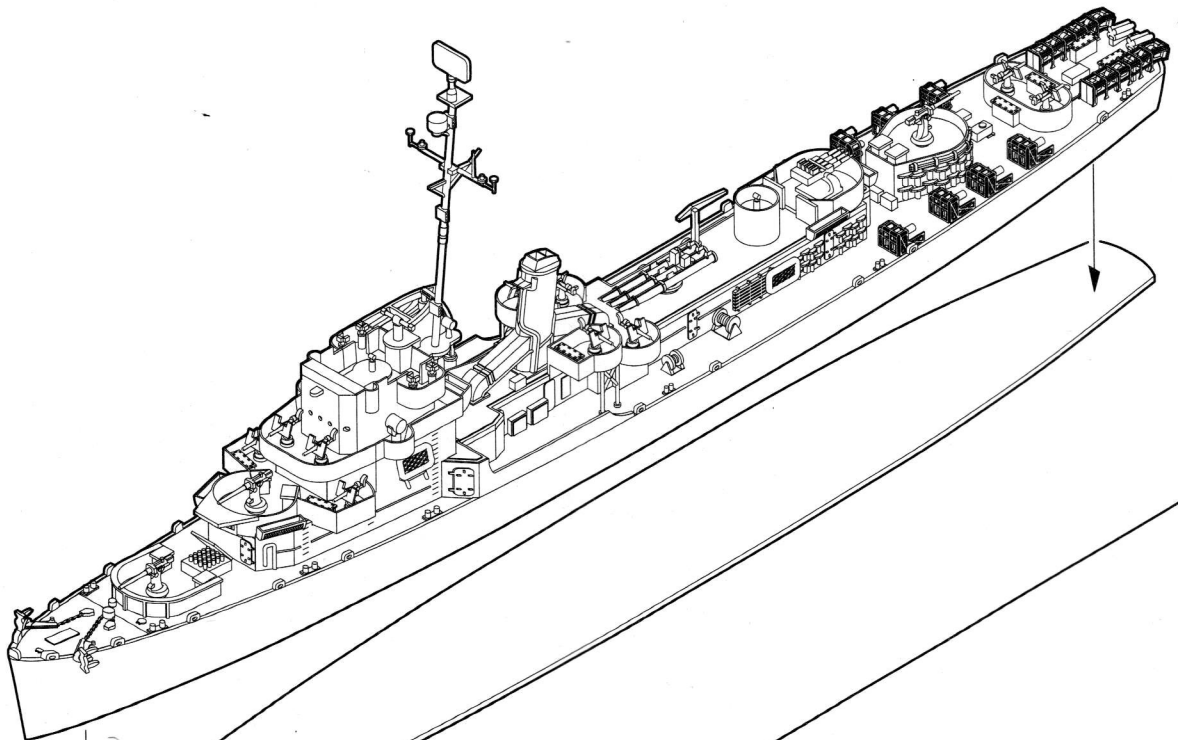


左螺旋桨的组装
Left propeller Assembly

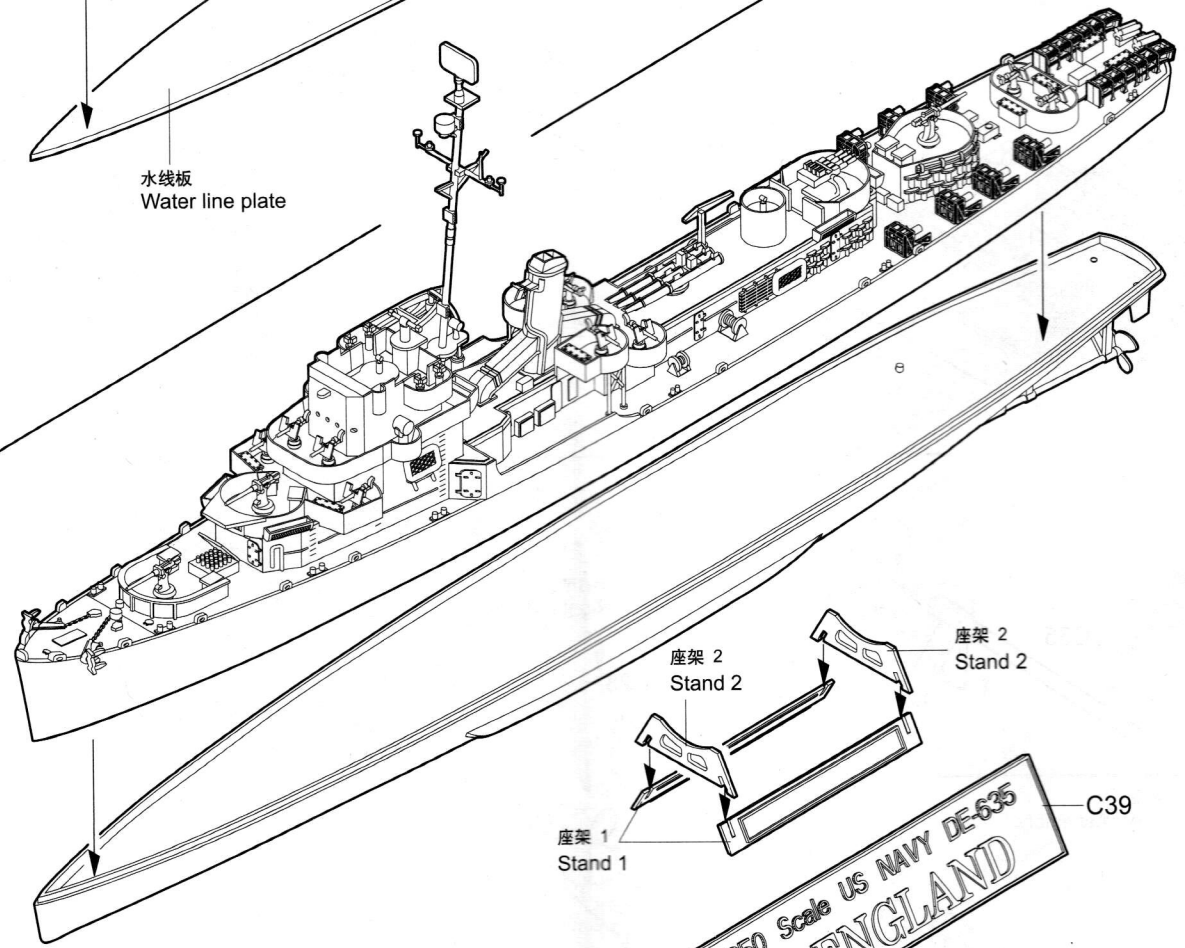


右螺旋桨的组装
Right propeller Assembly





水线板
Water line plate



座架 2
Stand 2

座架 2
Stand 2

座架 1
Stand 1

1:350 Scale US NAVY DE-635
USS ENGLAND

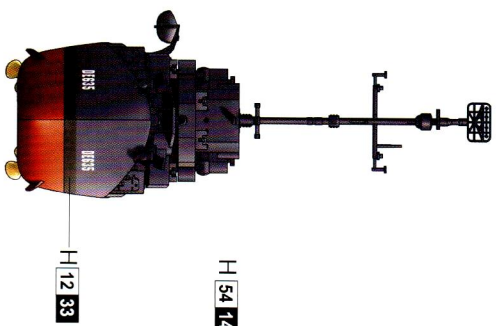
C39

涂装同标贴指示 Painting & Marking guide

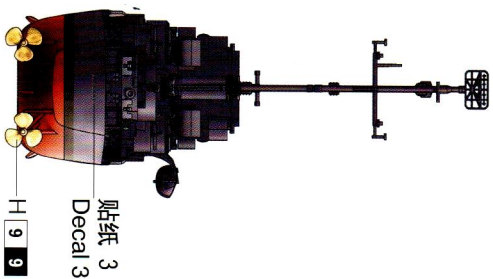
郡仕色使用

Gunze Mr. color used

Gunze	郡仕色	Mr. color
H 9 9	金色	GOLD
H 54 14	海军蓝	NAVY BLUE
H 17 29	舰底红	COCOA BROWN
H 12 33	消光黑	FLAT BLACK
H 365 365	甲板蓝	DECK BLUE

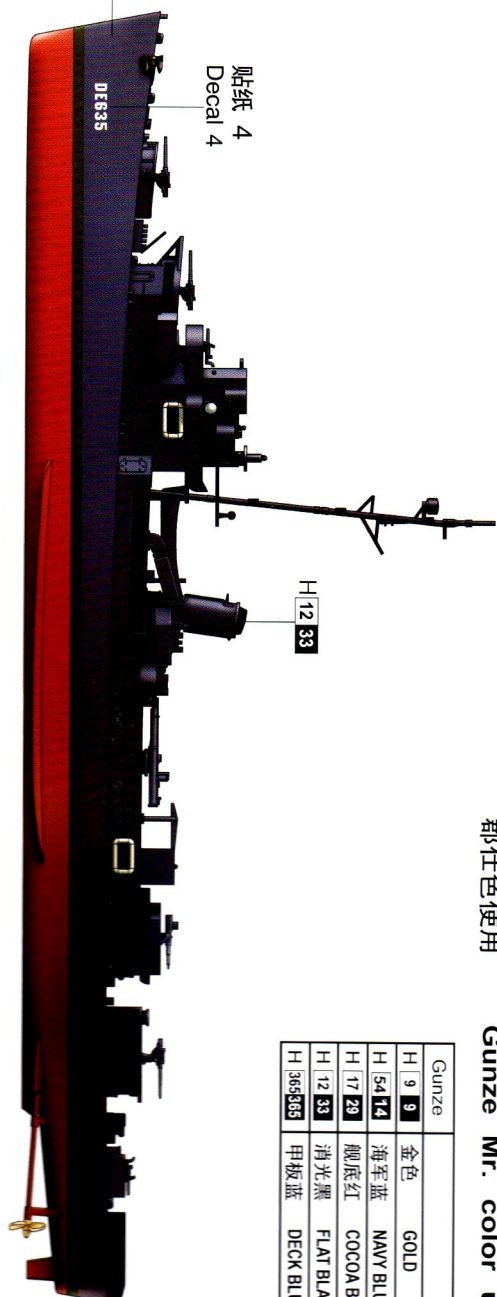


H 12 33



H 9 9

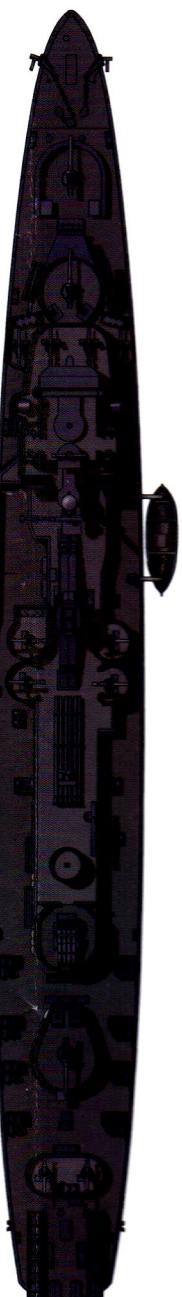
贴纸 3
Decal 3



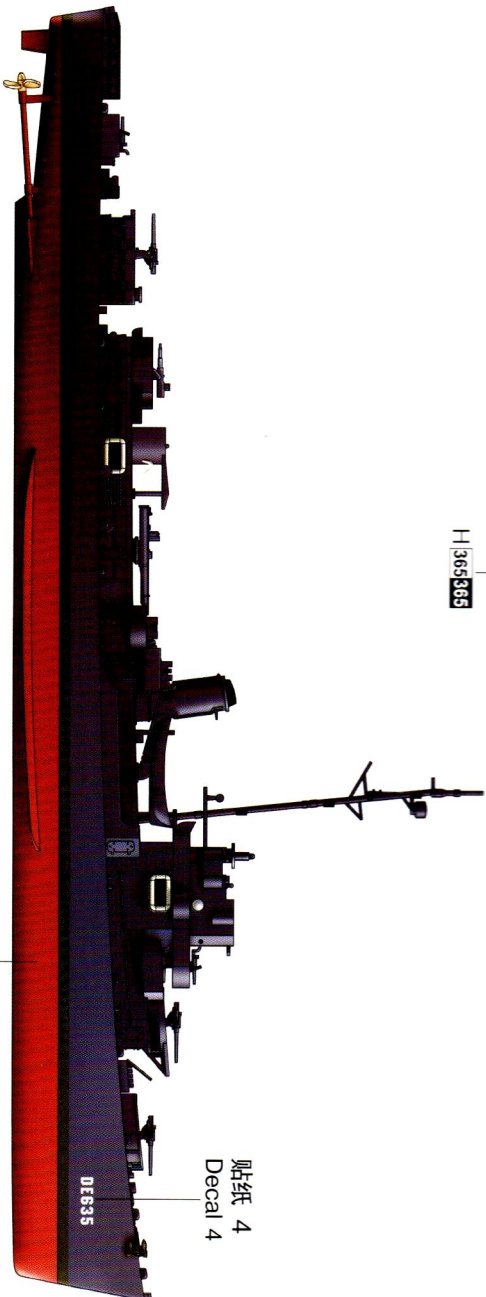
H 54 14

贴纸 4
Decal 4

H 72 33



H 365 365



H 17 29

贴纸 4
Decal 4

H 8 GUNZE SANGYO AQUEOUS HOBBY COLOUR

8 GUNZE SANGYO MR COLOUR