

# Sprite

TRADE MARK REGD.



A1394-200



# INTERNATIONAL<sup>®</sup> TRANSTAR<sup>®</sup> 4300 EAGLE

1/25 Scale

# READ THIS BEFORE YOU BEGIN


**Cement all parts unless otherwise indicated.**

Look over this instruction sheet carefully before you begin building. Follow the assembly instructions and "test-fit" the parts without cementing. This will familiarize you with the location of the parts.

For the best results, the various sub-assemblies and components should be painted before any "chrome" parts are attached. For example: When attaching "non-chrome" body accessories, it is best to cement them in place and paint the body as a unit.

AMT® kits are molded from the finest High-Impact Styrene plastic. Use only paint and cement made for Styrene. Trim excess plastic from parts before joining. When attaching "chrome" parts, scrape plating away where parts are to be joined. Use just enough cement to join parts, and be careful not to smear cement on exposed surfaces.

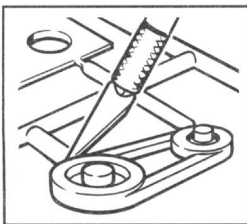
Built according to the instructions on this sheet, you should have no trouble assembling your kit.

- 10 . . . indicates *white* part
- 145-CR . . . indicates *chrome* part
- 12-CL . . . indicates *clear* part
-  . . . indicates *painting* detail

You are about to work with a checklist instruction sheet. As each part is applied take a pencil and put a check mark in the box in front of each number. In this way you can see what you have done and what you have not.

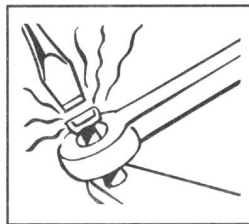
## MODELING TIPS

### HOBBY KNIFE



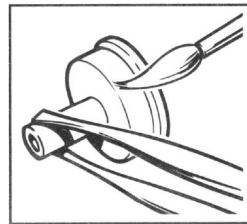
Use a sharp hobby knife to remove parts from the trees. Some parts may appear to have an extra "tab" on them, these should be removed.

### HEAT SWAGE



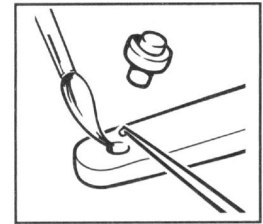
When heat swage is indicated, heat the tip of the knife in a candle or match flame. When touched to the plastic, the plastic will soften and form a "mushroom" head.

### TWEEZERS



Tweezers are handy for holding very small parts during assembly or painting.

### CEMENT

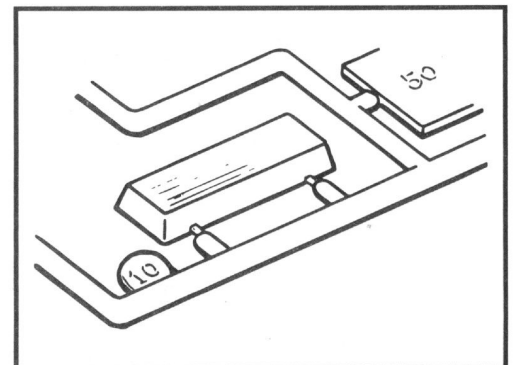


We recommend the use of liquid polystyrene cement. Apply with a fine brush or toothpick. Use cement sparingly or a sloppy job will result.

## PAINT COLORS

<b>A</b>	Black	<b>I</b>	Steel	<b>Q</b>	Yellow	<b>MB</b>	Metallic Blue
<b>B</b>	Flat Black	<b>J</b>	Brass	<b>R</b>	Beige	<b>IC</b>	Interior Color
<b>C</b>	Semi-Gloss Black	<b>K</b>	Gold	<b>S</b>	Brown	<b>WB</b>	Wood Brown
<b>D</b>	White	<b>L</b>	Amber	<b>T</b>	Lt. Blue	<b>CC</b>	Chassis Color
<b>E</b>	Flat White	<b>M</b>	Transparent Amber	<b>U</b>	Med. Blue	<b>BC</b>	Body Color
<b>F</b>	Silver	<b>N</b>	Red	<b>V</b>	Dark Blue	▲	Semi-Gloss
<b>G</b>	Chrome (Bright Silver)	<b>O</b>	Burgundy	<b>W</b>	Med. Green	△	Gloss
<b>H</b>	Aluminum	<b>P</b>	Orange	<b>X</b>	Lt. Green	▲	Metallic

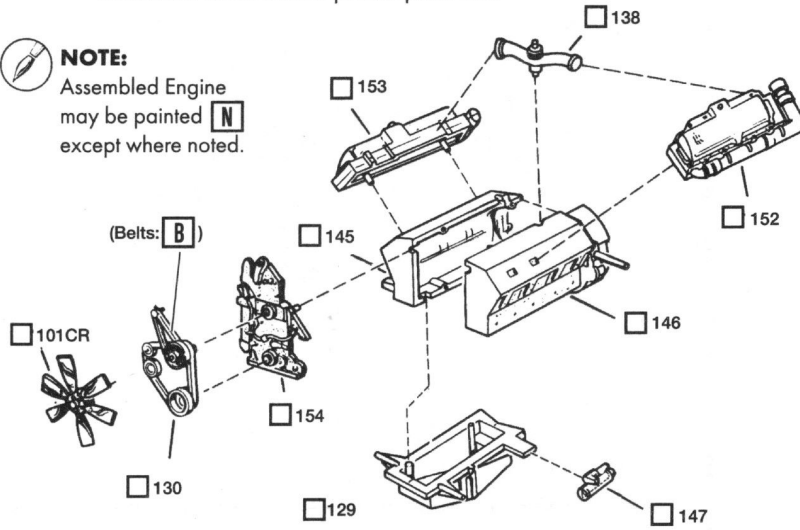
It is also recommended that you search the Internet for additional color references and details.



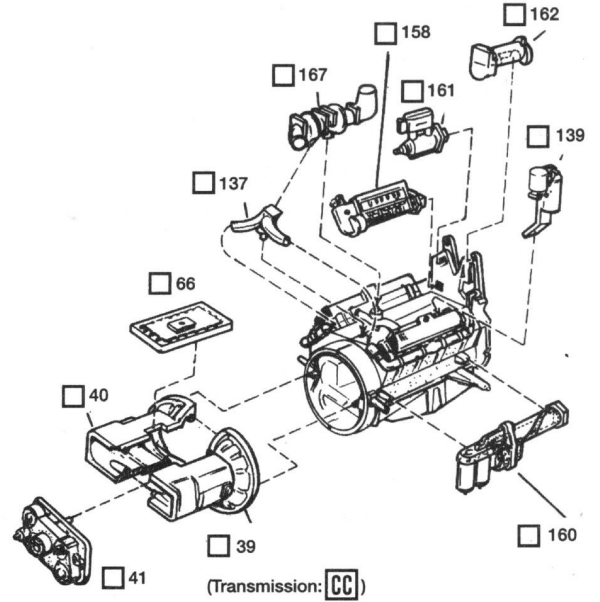
When you study your parts you will notice that each part is numbered. Remove parts from trees only as you use them — not before.

**1** Engine - I-H V-800 turbo-charged.  
Assemble engine block halves; attach parts  
as shown. Cement non-plated parts first.

**NOTE:**  
Assembled Engine  
may be painted **N**  
except where noted.

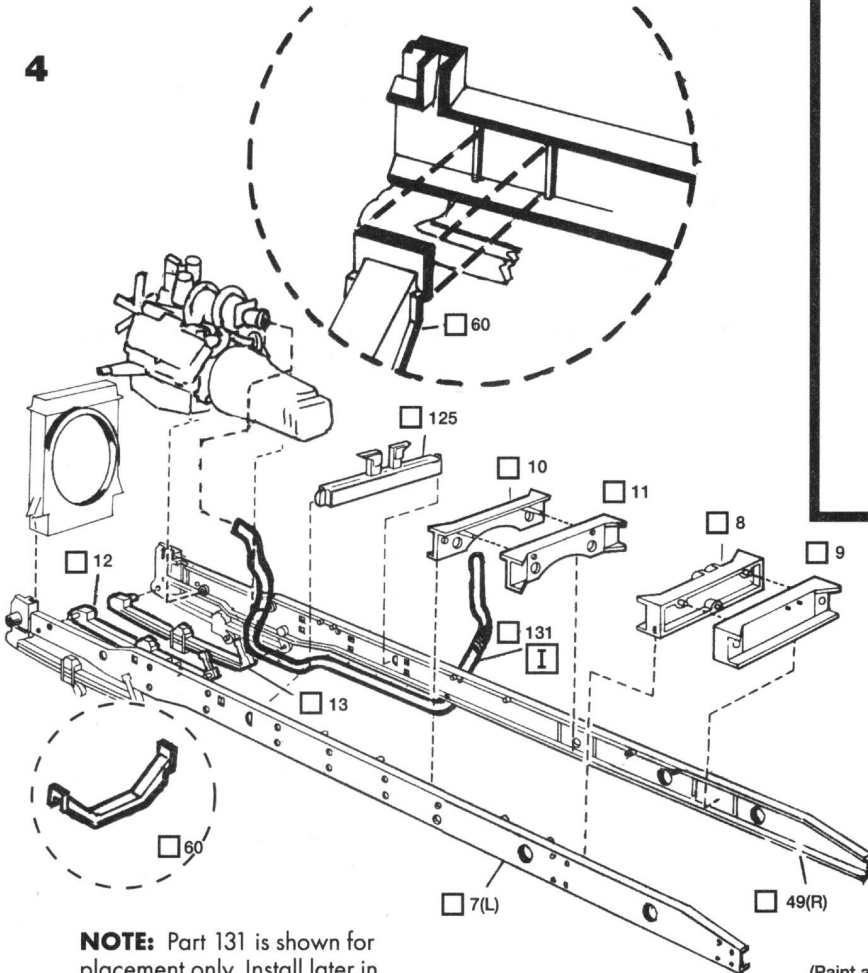


**2**



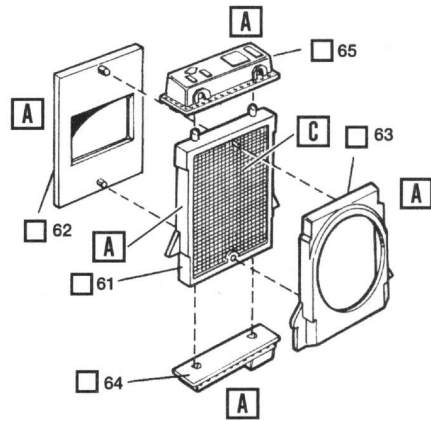
Assemble cross-members and frame rails as shown and let dry for a few minutes. Frame may be painted at this time (see page 10 for color detail). Gently spread front of frame rails and cement assembled engine and engine crossmember #60 into place, then cement in assembled radiator. Some manipulation will be necessary to locate the fan into the radiator shroud, work while the glue joints are still flexible.

**4**



**NOTE:** Part 131 is shown for placement only. Install later in Step 15.

**3**



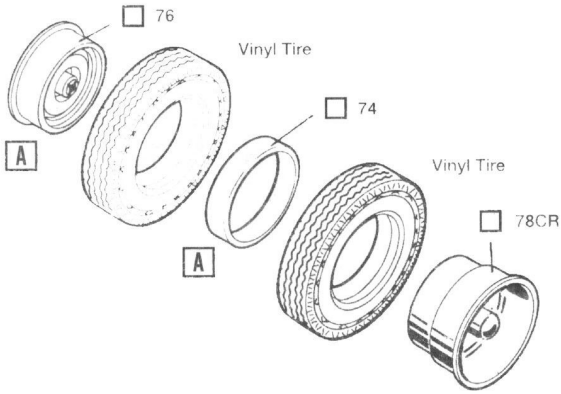
Glue radiator assembly parts together.

**VERY IMPORTANT:**

Scrape paint and chrome plating  
off of areas to be joined by cement.

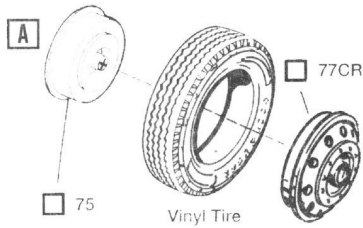
(Paint assembled chassis parts **C** as a unit except where noted.)

5



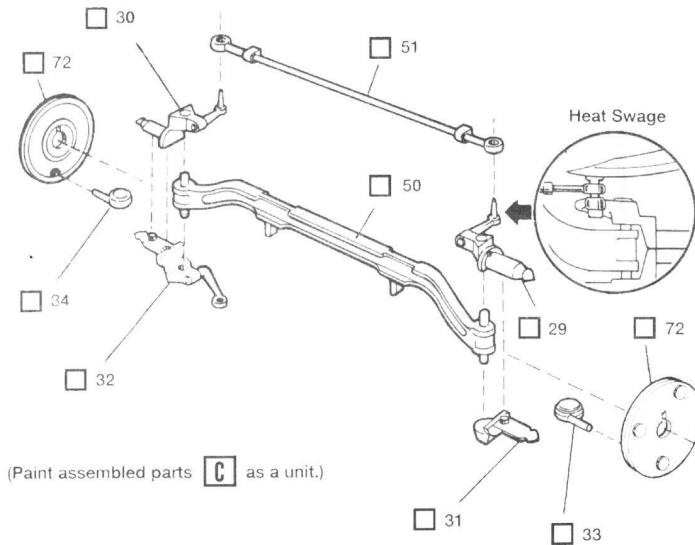
Scrape chrome from 78 where it glues to 74 and 76.  
Glue units together. Make 4 sets.

6



Scrape chrome off 77 where it joins to 75. Make 2 sets.

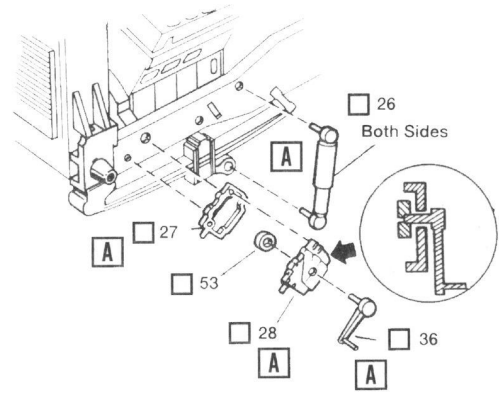
7



(Paint assembled parts **C** as a unit.)

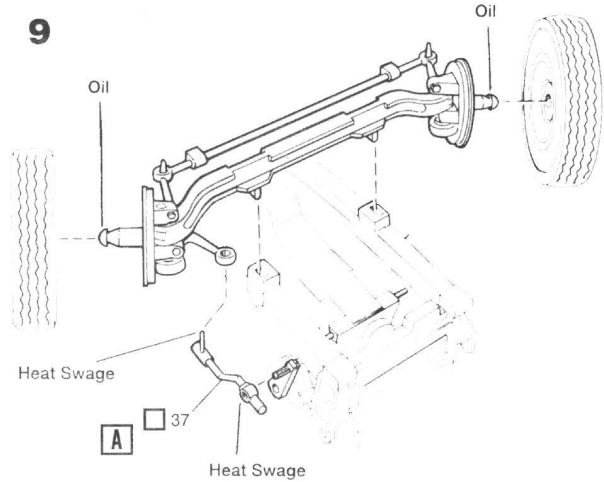
Assemble carefully. Avoid getting glue on the pins at end of axle - 50 - if you want steerable wheels. See heat swage instructions on page 2 for attachment of tie rod - 51.

8



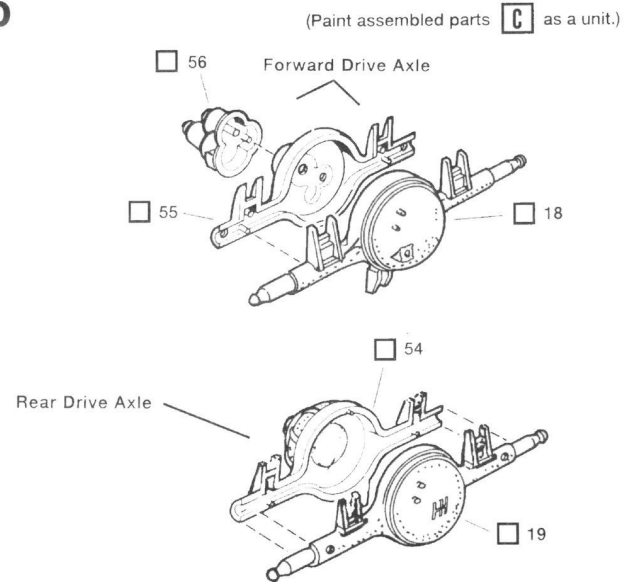
Carefully glue 53 to shaft end of steering arm - 36 - after steering arm is slipped through 28. Shock absorber - 26 - goes on both sides of frame.

9



Glue axle to frame. Attach idler arm - 37 - next. Snap front tires and hubs to axle - oil first with a light machine oil.

10

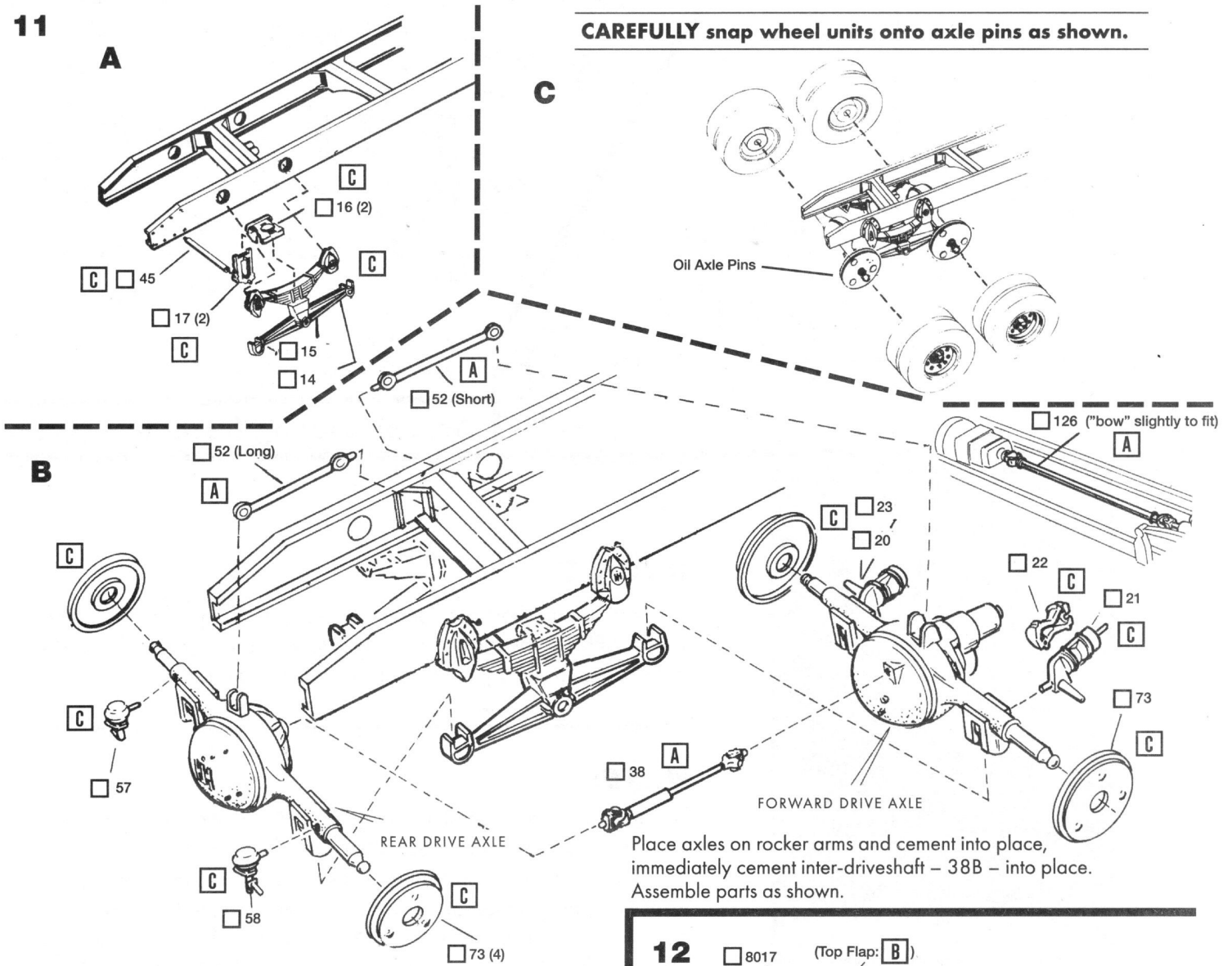


(Paint assembled parts **C** as a unit.)

4

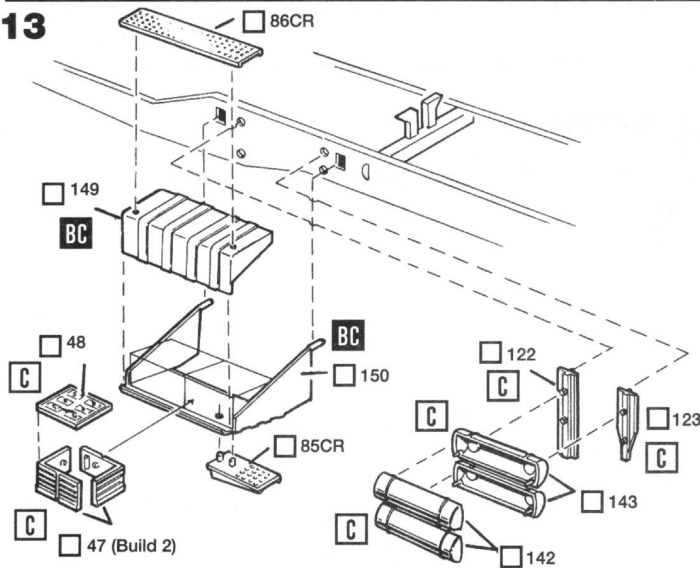
11

**CAREFULLY** snap wheel units onto axle pins as shown.



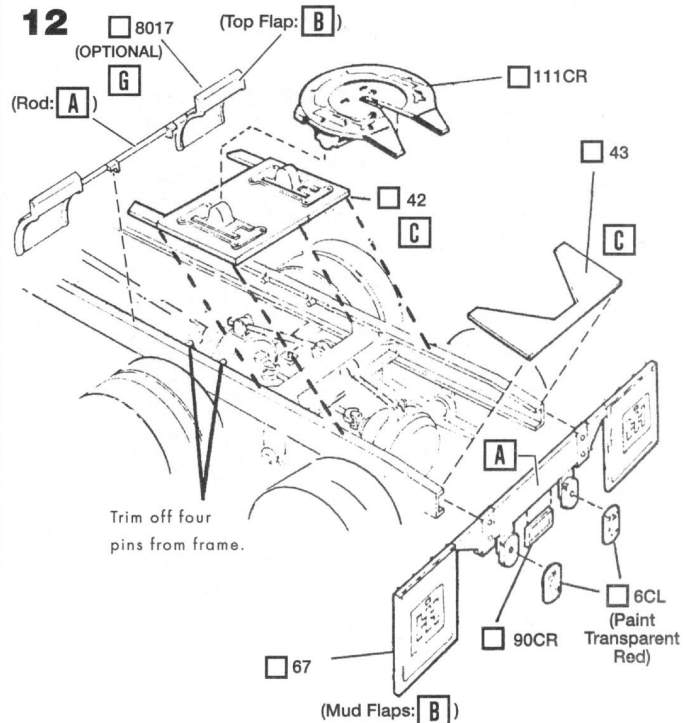
Place axles on rocker arms and cement into place, immediately cement inter-driveshaft – 38B – into place. Assemble parts as shown.

13

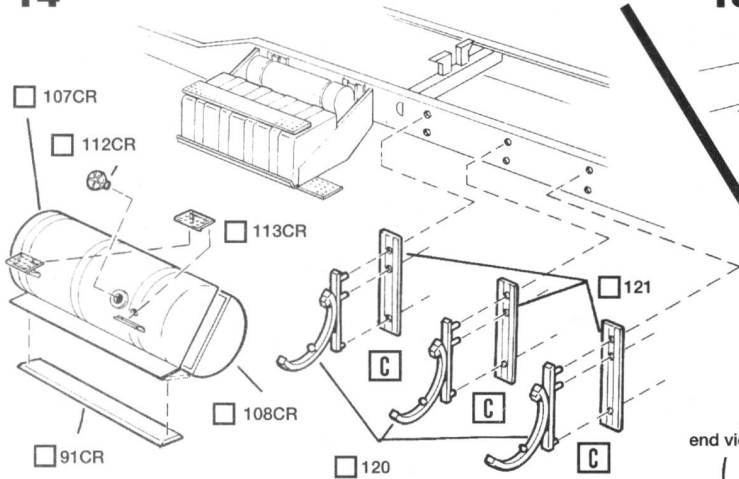


Left side of truck frame shown. Glue parts 122, 123, 143 & 144 in place before attaching battery box components.

12

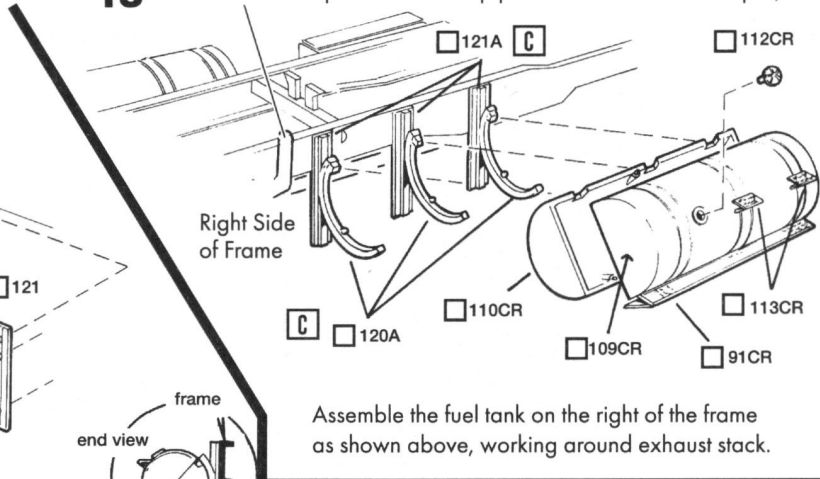


14



15

NOTE: Add optional exhaust pipe — 131 — shown in Step 4, if using.



Assemble the fuel tank on the right of the frame as shown above, working around exhaust stack.

**Scrape plating from glue joints.**



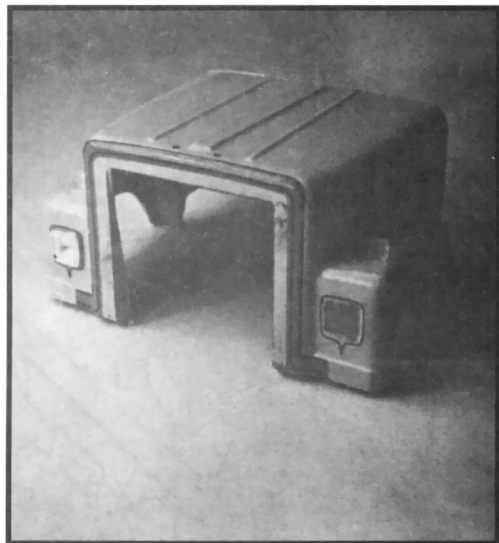
Decal Option

**DECALS:**

The decals supplied are for an authentic IH Eagle paint scheme with a SPRITE® overlay. Additional decals are supplied if you do not choose to build your model with this paint scheme.

**NOTE:**

For ease of decal handling, particularly the stripes going around the grille opening and around the front fenders, some modelers may wish to cut these into several sections before application. The front stripe may be cut at the upper corners and the L and R stripes at the junction of the wheel well opening and the longer straight section. After decals are in position, blot carefully with a wadded tissue to remove excess water - let dry thoroughly before handling.

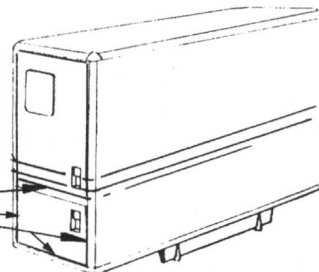


Apply decal around grille opening first, then onto bottom edges of fenders, aligning overlap.

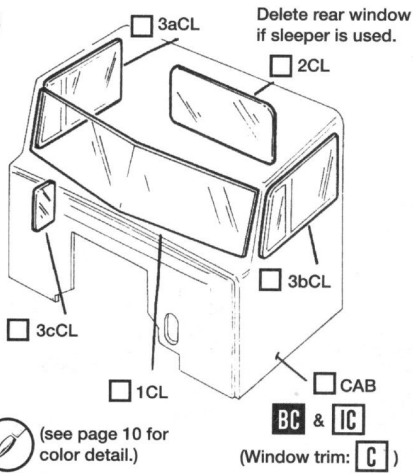
**SPECIAL NOTE:**

Temporarily mount the cab and hood to the chassis and apply the decal stripes so the hood-to-cab stripes line up properly.

The sleeper decals should be cut at the door lines on the driver's side AFTER they are applied.



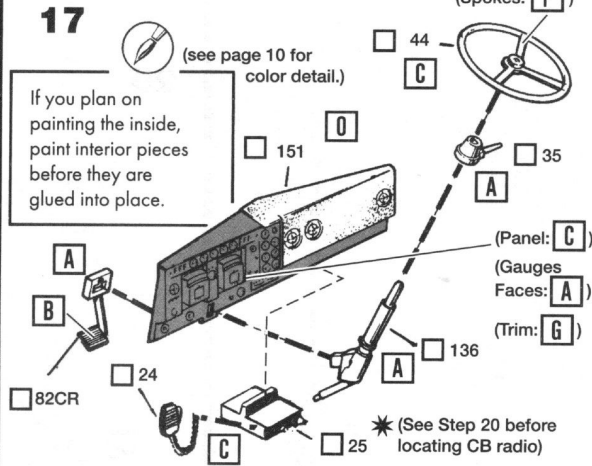
16



(see page 10 for color detail.)

Cement windows in place from inside of cab.

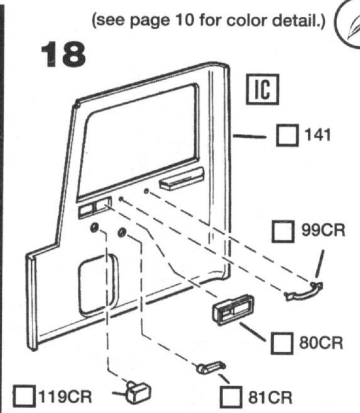
17



(see page 10 for color detail.)

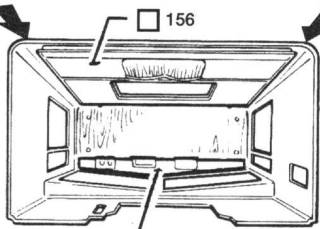
Cement CB radio and mike plus steering wheel to instrument panel as shown.

18

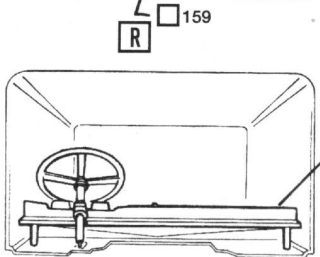


Assemble the right side inner panel as shown. When finished, do the left panel - 140 - in the same way.

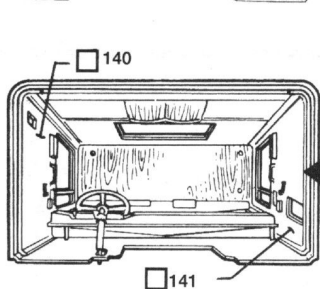
19



Center and glue header - 159 - in place. Center and glue back wall - 156 - to rear inside wall of cab.

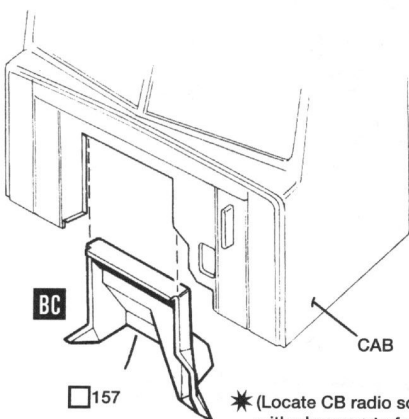


Center and glue instrument panel in place butting the top of the panel to the bottom edge of the windshield glass - see side view.



Insert sidewalls - 140 & 141 - into place and push down as far as they will go. Cement into place.

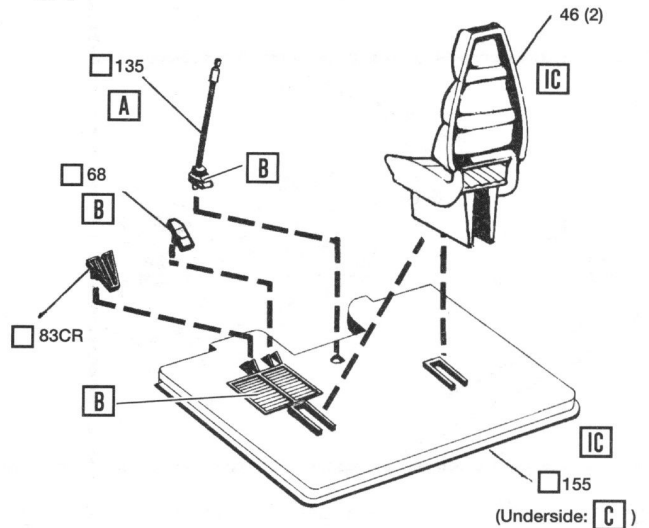
20



Glue tunnel or "doghouse" - 157 - into place.

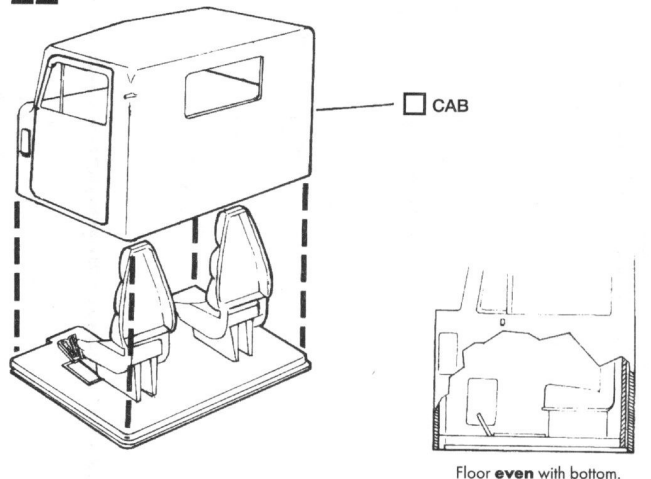
\*(Locate CB radio so it does not interfere with placement of part 157)

21



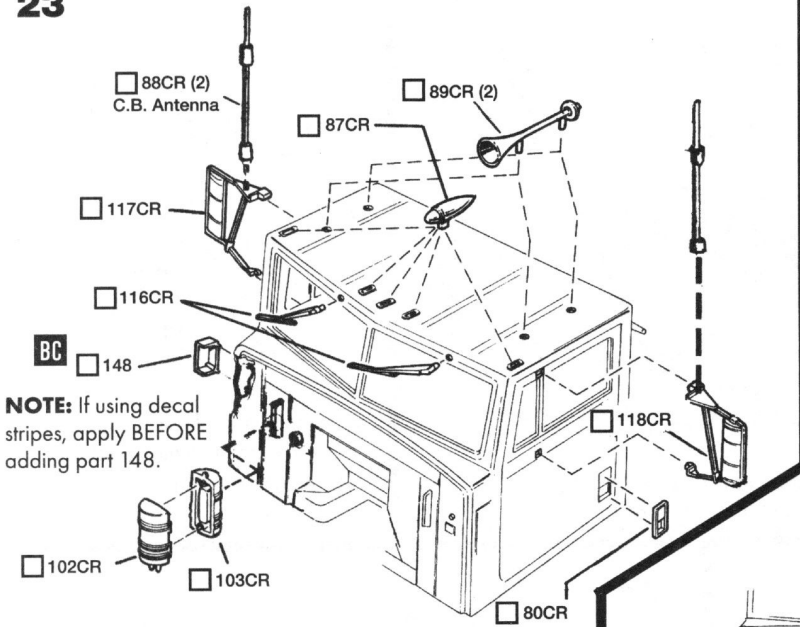
Assemble cab floor interior pieces as shown.

22

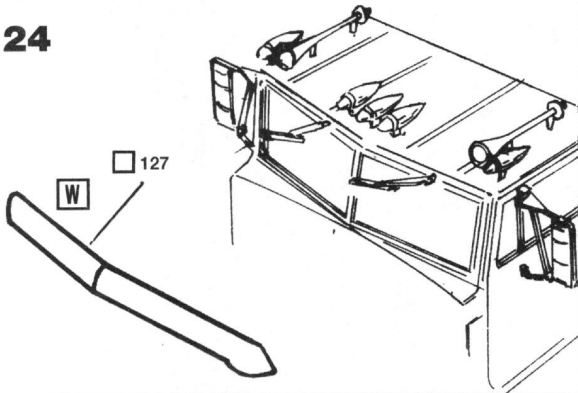


Insert floor unit into place inside cab. Be sure floor is even with bottom edge of cab. Now cement.

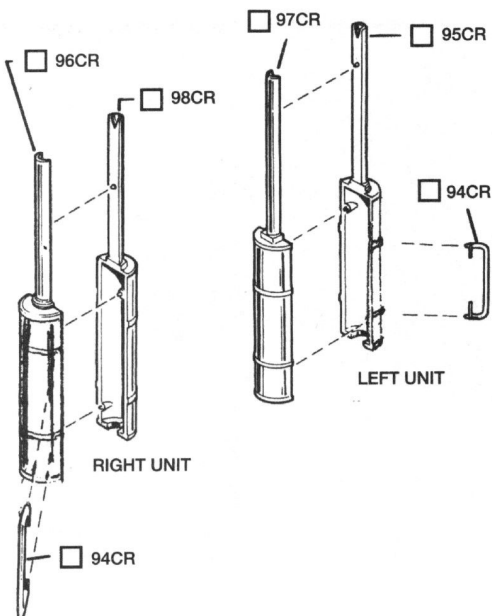
23



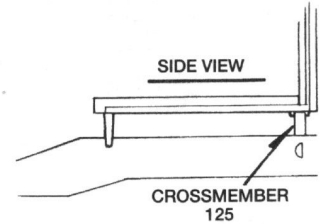
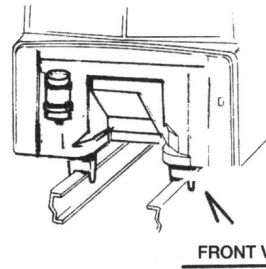
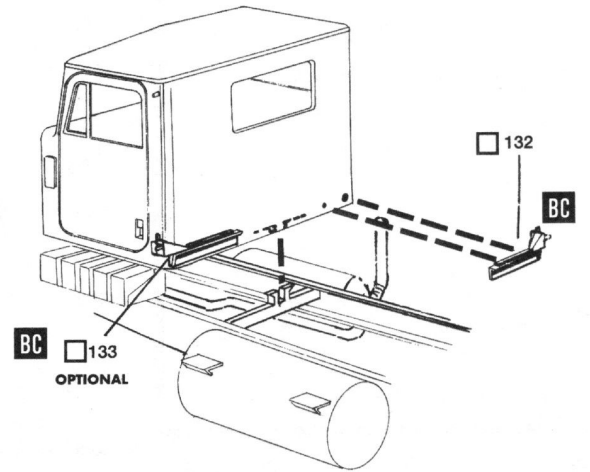
24



26 Glue muffler assemblies together as shown keeping track of which is left unit & right unit.

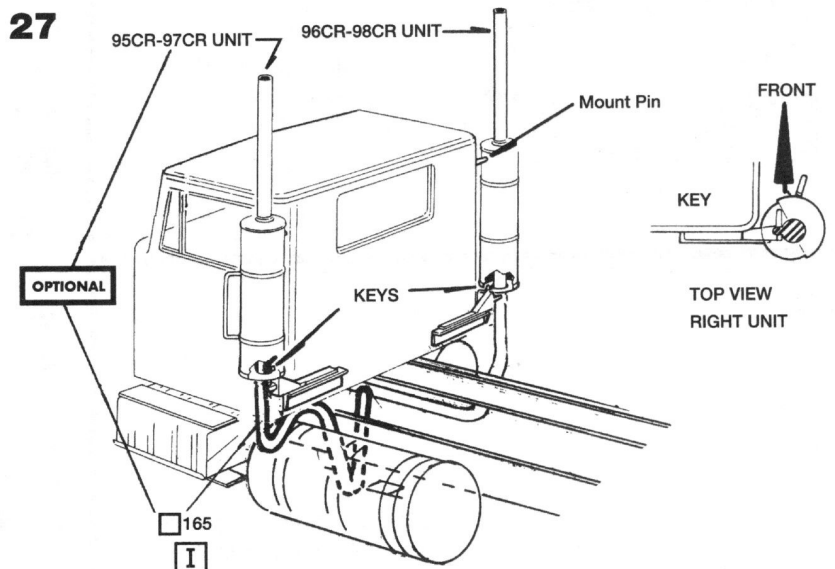


25



Glue exhaust system mounting brackets – 132 & 133 – to rear of cab. Now glue cab to frame as shown in the front and side views.

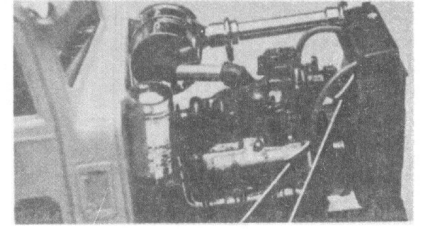
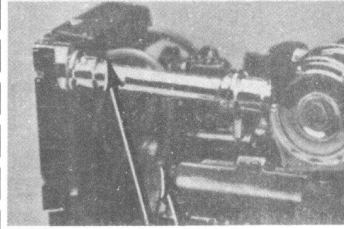
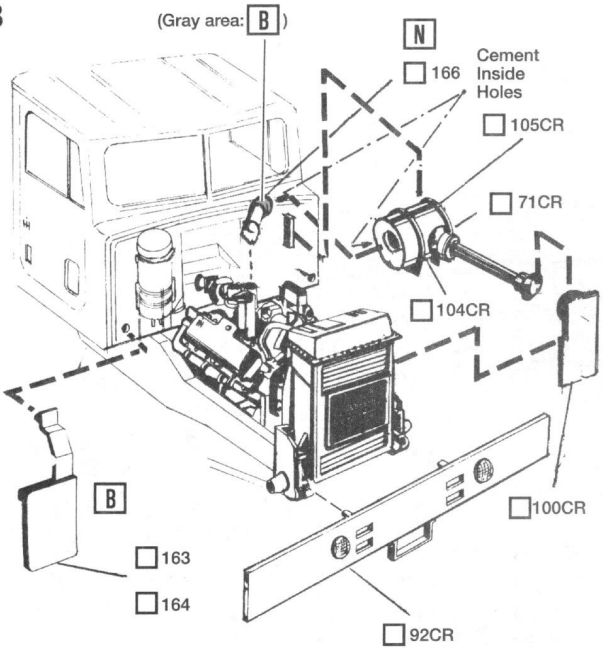
27



Scrape plating from glue joints.



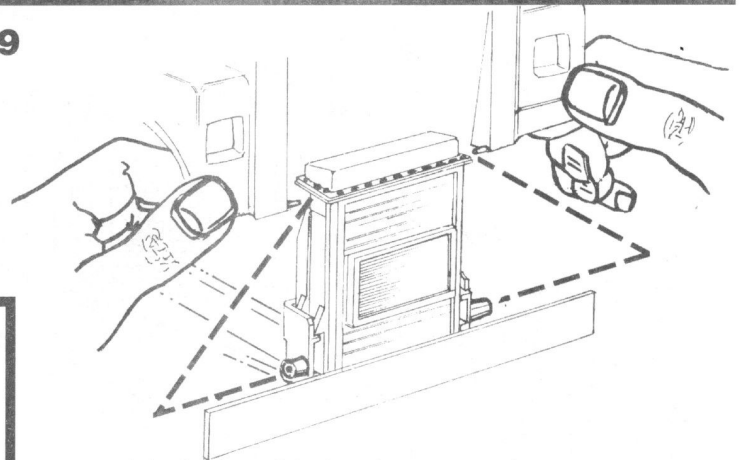
28



**Radiator Hoses**

Cut (2) sections of vinyl tubing to the length above and attach to pins and into radiator tank as indicated.

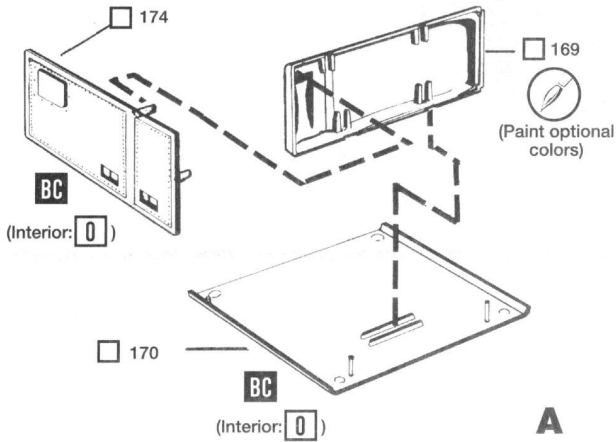
29



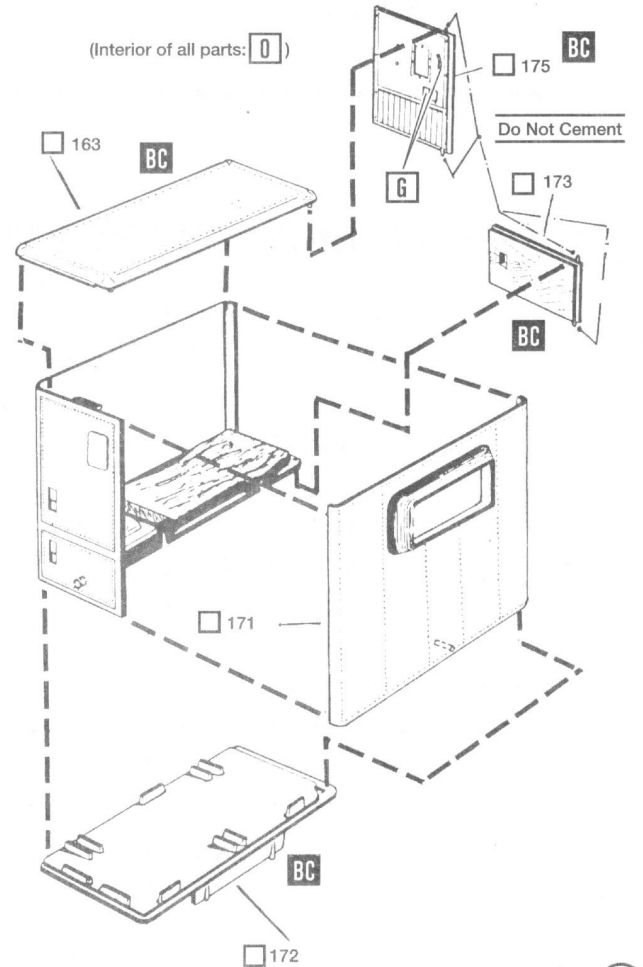
Spread the fenders of the hood – 161 – and snap pins into the bosses on the forward frame.

30

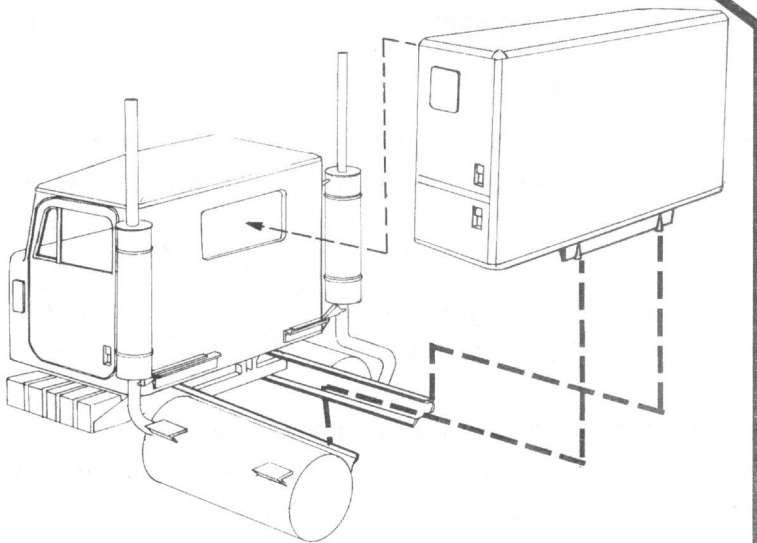
**SLEEPER UNIT OPTION**

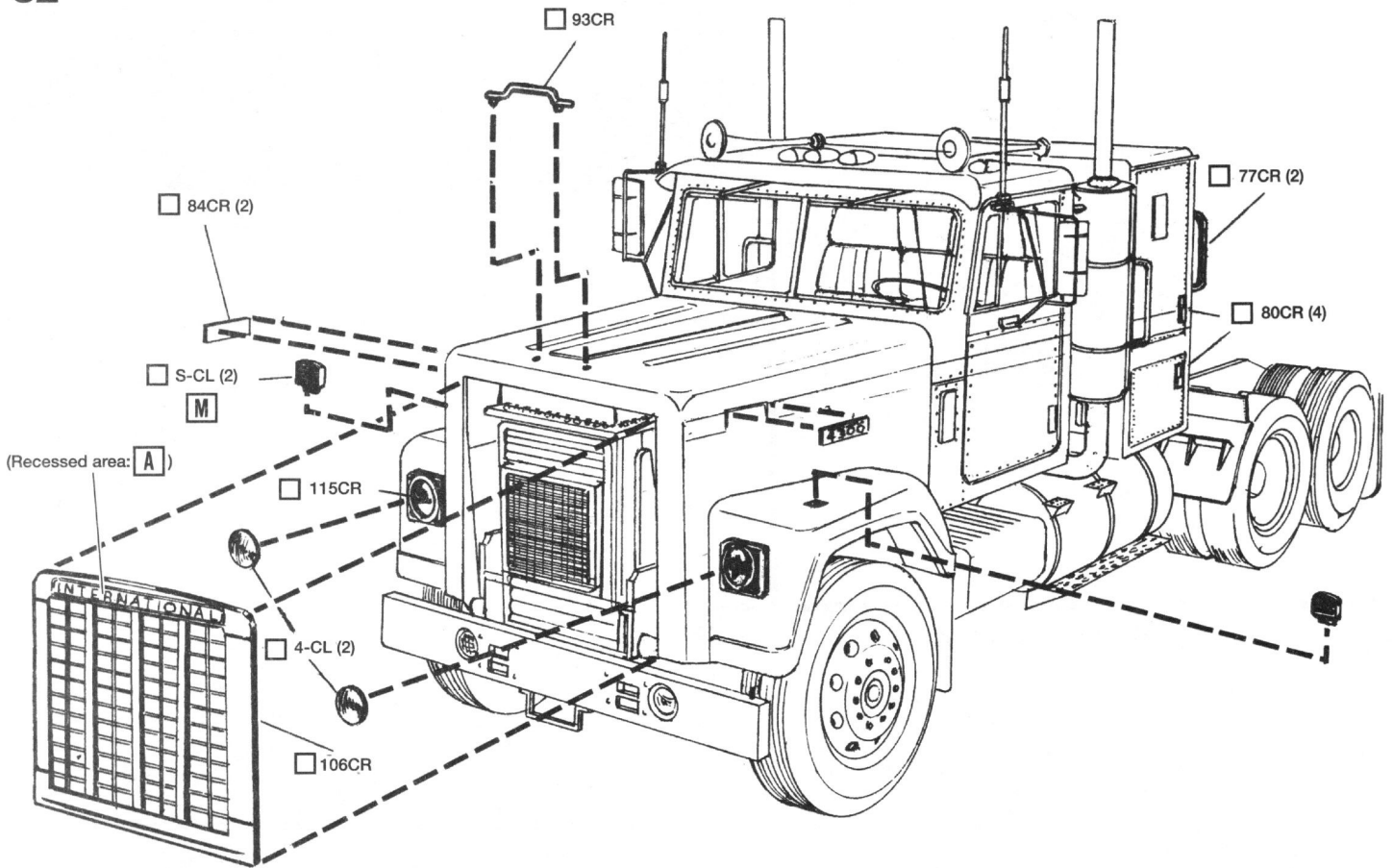


B



31





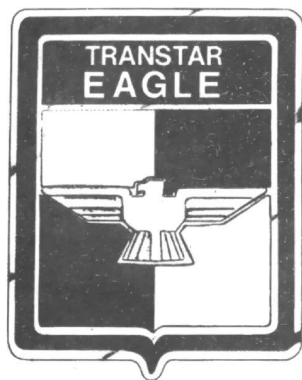
## MODELING AND PAINTING TIPS:

Be sure to use only paint formulated for use on styrene plastic. Liquid cement may be applied with a fine 00 brush for neat glue joints. Also, the new "instant" glues may be used for small non-chrome parts — caution must be used when working with this cement as it WILL cement fingers together as well as anything else. Do not use on clear parts as hazing may occur.

If cement gets on an outside surface, use 600 grit wet-or-dry emery paper to sand it smooth. Then press out some toothpaste and apply it with a cotton swab, rubbing in a circular motion. This will polish out the cement blemish. DON'T PRESS TOO HARD! This also works on clear parts.

It is a good idea to wash plastic parts in mild detergent before painting to remove all oils from your hands . . . the paint will go on smoother and easier. Sand parts lightly before painting.

The color of the chassis for the version of the Eagle duplicated in this kit is a semi-gloss black. The V-800 engine is red - the transmission matches the chassis. The interior of all Eagles is burgundy; the instrument panel is burgundy with black around the instruments. The steering wheel is black with silver spokes.



## General Information About The I-H Eagle 4300 Conventional.

The V-800 engine is an I-H exclusive, having a displacement of 798 cubic inches. It is turbocharged and puts out 350 horsepower at 2600 R.P.M. It has a peak torque of 820 foot pounds. Among its interesting features are four valves per cylinder, it has a metered fuel injection system, a forged crankshaft and 5 cross bolted main bearings. It weighs 2,385 lb. dry. These features enable a truck engine to go up to 500,000 miles before a major overhaul is required.

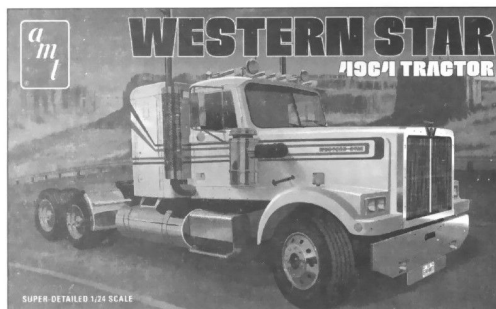
The Eagle is basically an owner/operator rig and as such has many features not found on standard fleet trucks, such as two- and three-tone paint, custom interiors with hi-back bucket seats, extra insulation, tape decks, air conditioning, and C.B. radio. Chrome trim may be found everywhere, from the engine, wheels, exhaust stacks, grab handles, etc., and really makes a truck a genuine showpiece.



# MORE GREAT TRUCK & TRAILER KITS FROM THE KATS AT



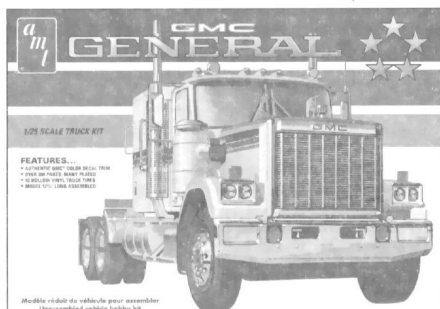
AMT1327/06: Peterbilt® 359 California Hauler with Sleeper



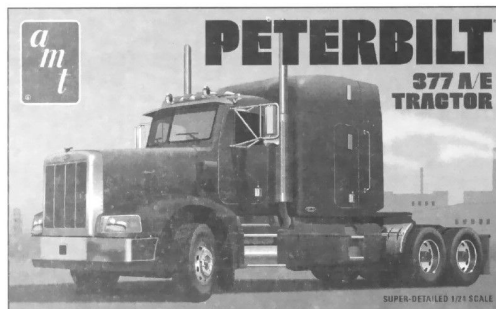
AMT1300/08: Western Star 4964 Tractor



AMT1339/06: Kenworth Conventional - Alaskan Hauler



AMT1272/06: GMC® General



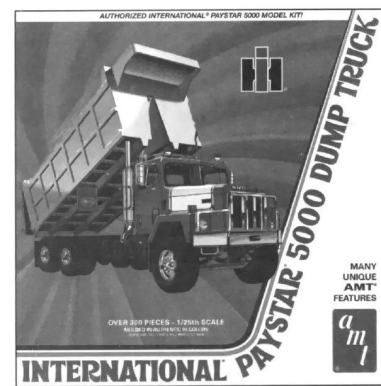
AMT1337/08: Peterbilt® 377 A/E Tractor



AMT1203/06: International® Transtar® CO-4070A



AMT1185/06: Great Dane 40 ft. Dry Goods Trailer



AMT1381/06: International® Paystar® 5000 Dump Truck



INTERNATIONAL®, and other International truck trademarks are licensed by INTERNATIONAL TRUCK INTELLECTUAL PROPERTY COMPANY. GENERAL MOTORS Trademarks used under license to Round 2, LLC. Ford Motor Company Trademarks and Trade Dress used under license to Round 2, LLC. PETERBILT TRADEMARKS LICENSED BY PACCAR INC, BELLEVUE, WASHINGTON, U.S.A. Daimler Truck North America LLC, a Daimler Company, Trademarks used under license to Round 2, LLC. KENWORTH and KW & DESIGN TRADEMARKS LICENSED BY PACCAR INC, BELLEVUE, WASHINGTON, U.S.A. COCA-COLA, COKE, SPRITE, the Contour Bottle Design and the Dynamic Ribbon Device are trademarks of The Coca-Cola Company. Coca-Cola Graphics ©The Coca-Cola Company. All Rights Reserved. Produced by Round 2, LLC under a trademark license from The Coca-Cola Company. Goodyear (and Winged Foot Design) and Blimp Design are trademarks of The Goodyear Tire & Rubber Company used under license by Round 2, LLC, South Bend, IN 46628. Copyright 2023 The Goodyear Tire & Rubber Company. AMT and design is a registered trademark of Round 2, LLC. ©2023 Round 2, LLC, South Bend, IN 46628 USA. Product and packaging designed in the USA. Made in China. All rights reserved.