


**ACADEMY**
**HOBBY MODEL KITS**

## PANZER IV H

1/35 Scale

One of the most important tanks used by Germany in World War II was the Panzerkampfwagen IV, (Also known as PzKpf IV, or Panzer IV.) The Panzer IV was proposed as the heavy support tank for the fourth company of the tank battalion. The first three battalions were equipped with the Panzer III. The new machine was actually classified as a medium tank, weighing in at about 17.5 tons.

The Panzer IV was originally developed in 1936, a design so sound and well conceived, it ultimately became the main tank of the German Panzer force. It remained in production until the end of the war, with some 8,500 units of various models delivered.

The Panzer IV was based on the Panzer III format, which consisted of an angular hull with a box-like turret. The Panzer IV's tracks rolled on eight road wheels and had four upper return rollers. This was a distinctive feature and led to

quick recognition of the Panzer IV series. The power from a huge V-12 Maybach engine was delivered to the wheels via a five-speed gearbox, later upgraded to six speeds. The engine was located in the rear of the hull with the drive shaft going to the forward wheels. During the tanks development, Germany's plans included the invasion of England, so a snorkel device was provided to allow for underwater missions.

The first production models were not well received by the troops, who complained about poor performance and inadequate armor protection. These complaints were addressed in the second, or Ausführung B version which was fitted with a more powerful 300 hp Maybach HL 120 TR engine, thicker armor and minor improvements.

The effectiveness and versatility of the Panzer IV was displayed during the Polish campaign

and it was soon accepted as the standard German combat tank. Initially, the Panzer IV was armed with a short-barreled 75mm cannon, but by the Ausf F model, this was replaced by a longer barrel version of the gun. This was due in part to the fact that the shorter gun was ineffective on the Russian T-34 tank unless the Soviet vehicle could be attacked from the rear.

The Panzer IV Ausf H model, depicted by this model, was introduced in April, of 1943. It carried a thicker armor (3.1 Inches), and a new transmission. It was also equipped with an anti-aircraft gun, 3,774 examples of this machine were constructed by July of 1944.

The Panzer IV series had a top speed of 25 mph with a range of about 125 miles. It was operated by a crew of five.

Refer to box top for additional decal and painting information.

**ACADEMY**  
 HOBBY MODEL KITS

**ACADEMY**  
 ACADEMY PLASTIC MODEL CO., LTD.  
 521-1 Yonghyeon-dong, Uijeongbu-si, Gyeonggi-do, Korea  
 02-969-7000


Cement Parts  
 Coller  
 Kleben  
 Pegar  
 Incollare  
 Colar  
 Kleven



DO NOT cement  
 Ne pas coller  
 Nicht kleben  
 No pegar  
 Non incollare  
 Nao colar  
 Niet kleven



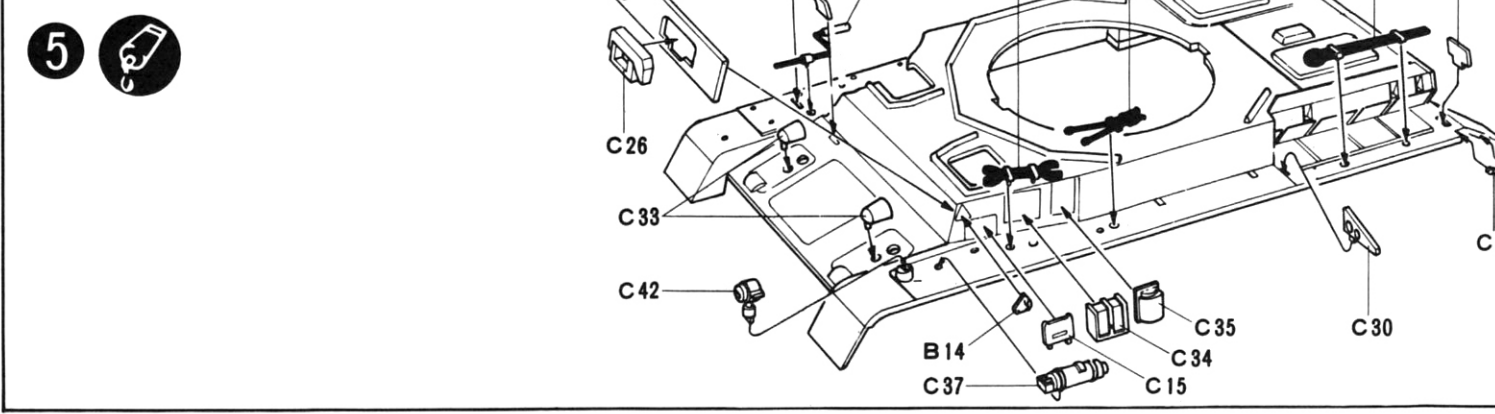
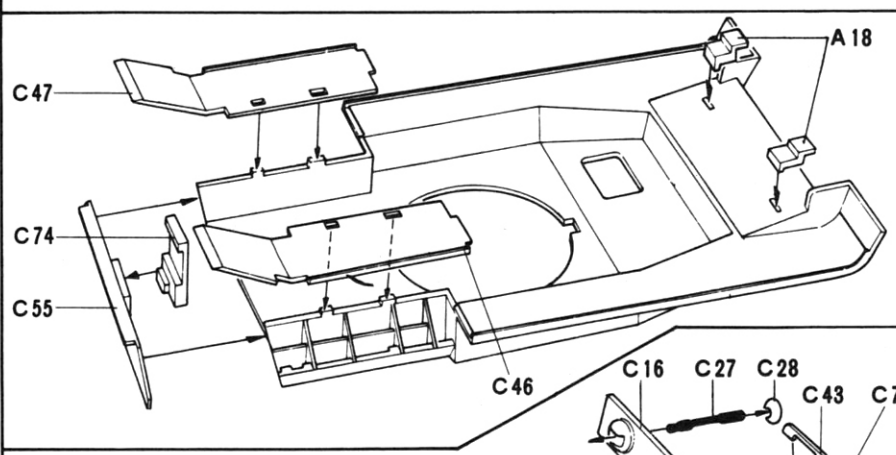
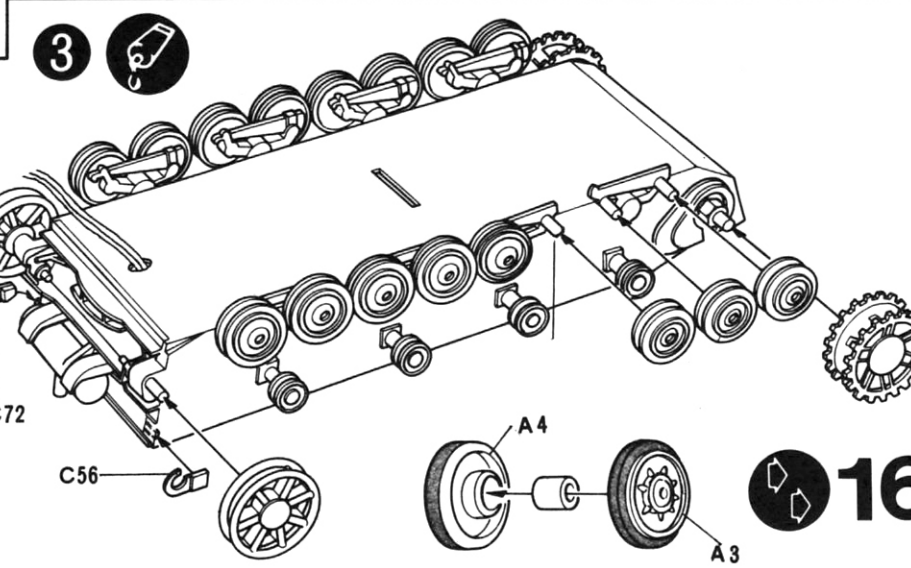
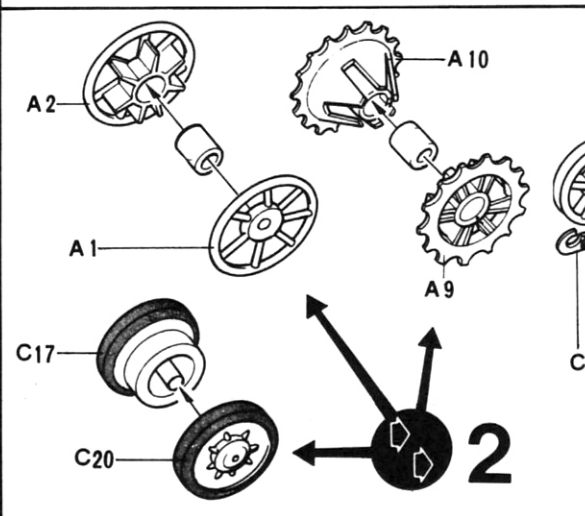
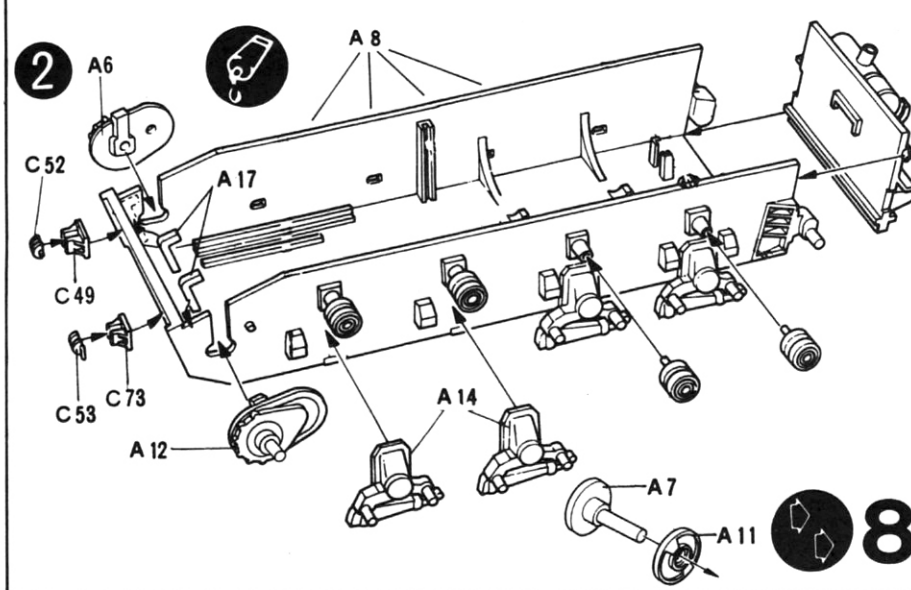
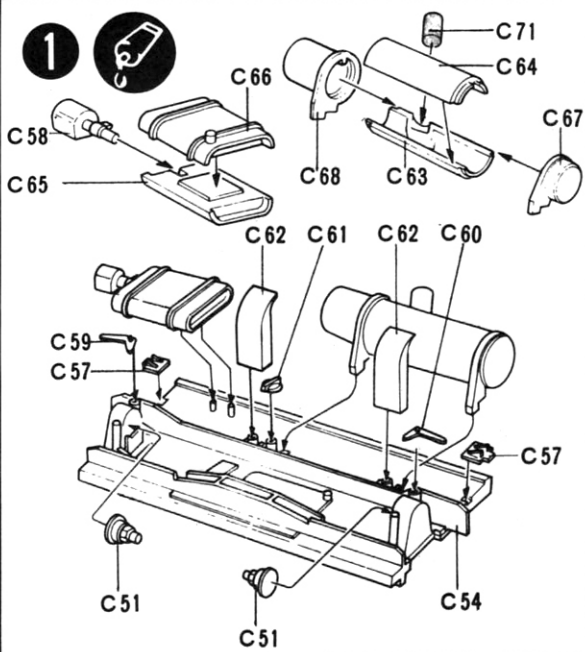
Cut away  
 Couper  
 Scheiden  
 Cortar  
 Tagliare  
 Cortar  
 Snijden



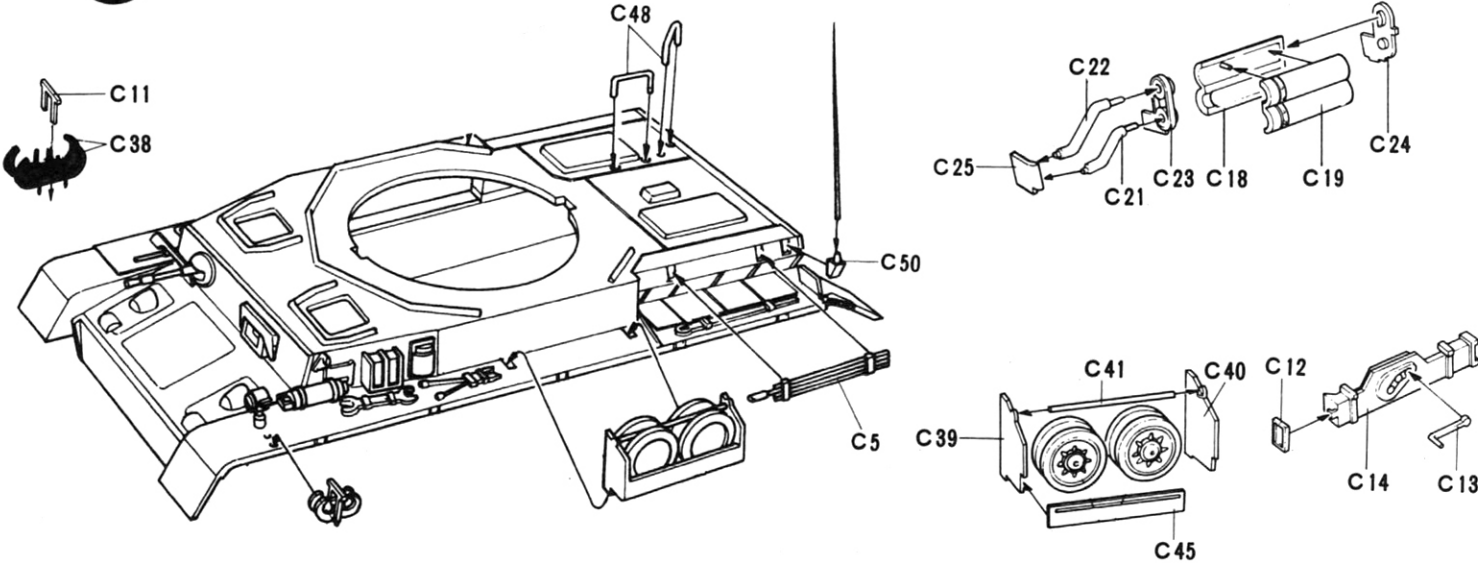
Optional parts  
 Choix  
 Auswahlmöglichkeit  
 Eleccion  
 Scelta  
 Opcao  
 Keuze


**3**

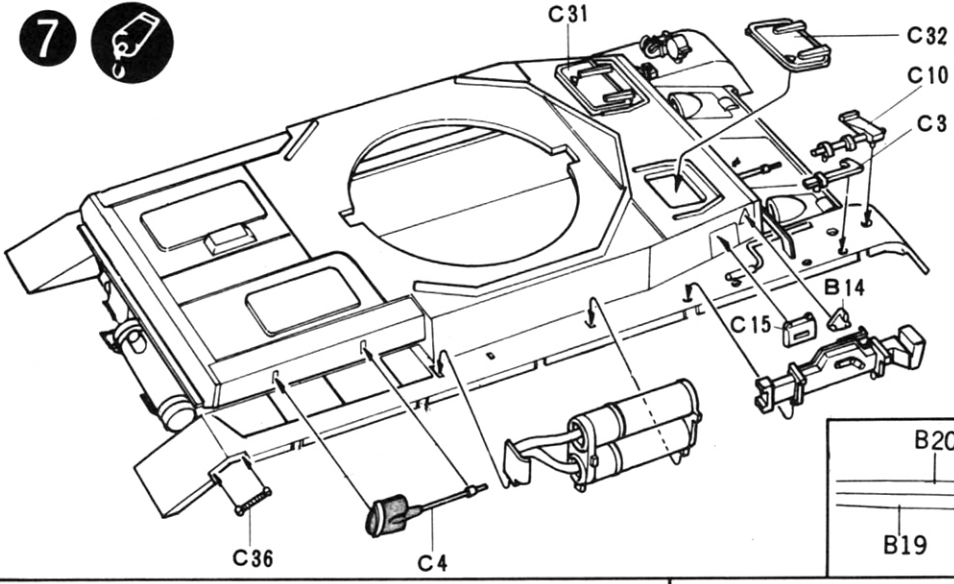
Repeat operation  
 Répéter l'opération  
 Vorgang wiederholen  
 Repetir la operación  
 Ripetere  
 Repetir a operação  
 Herhalen



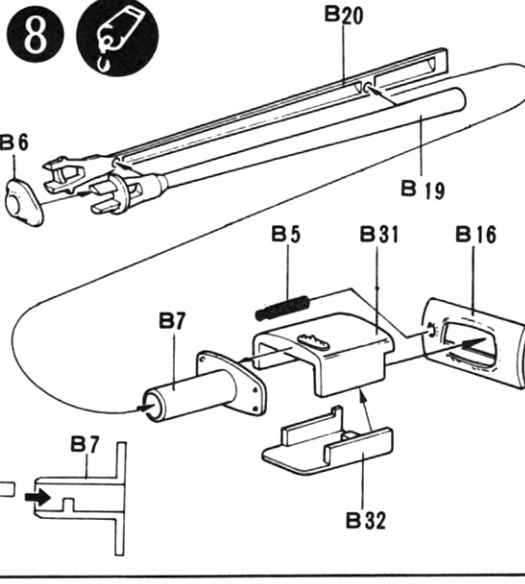
**6** 



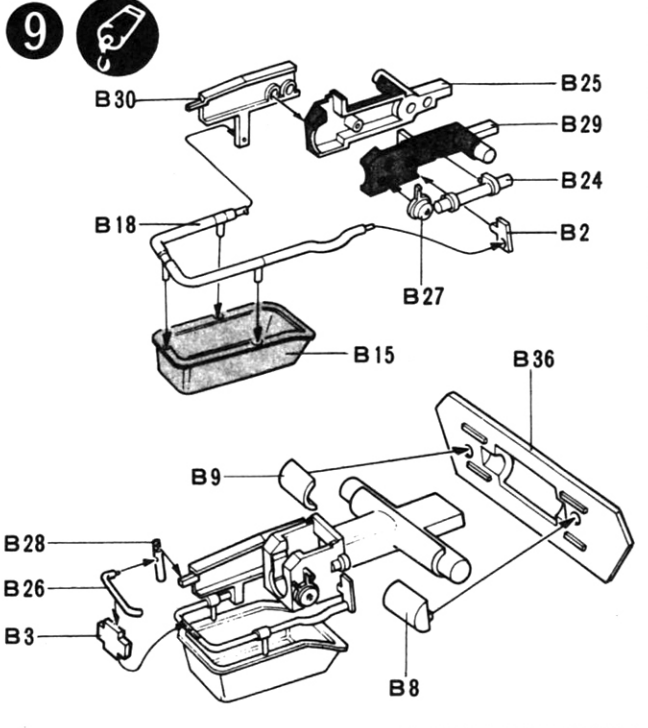
**7** 



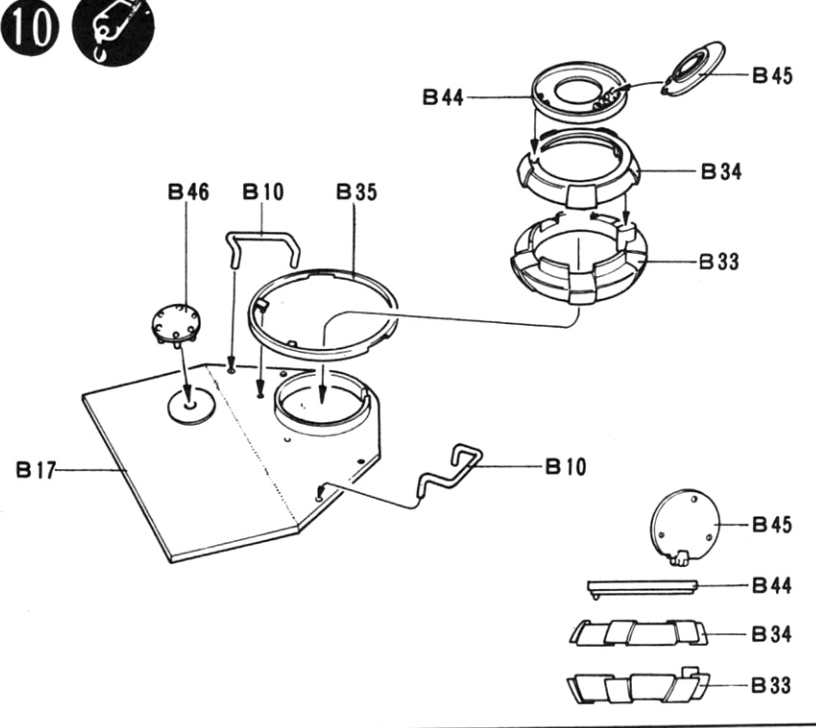
**8** 



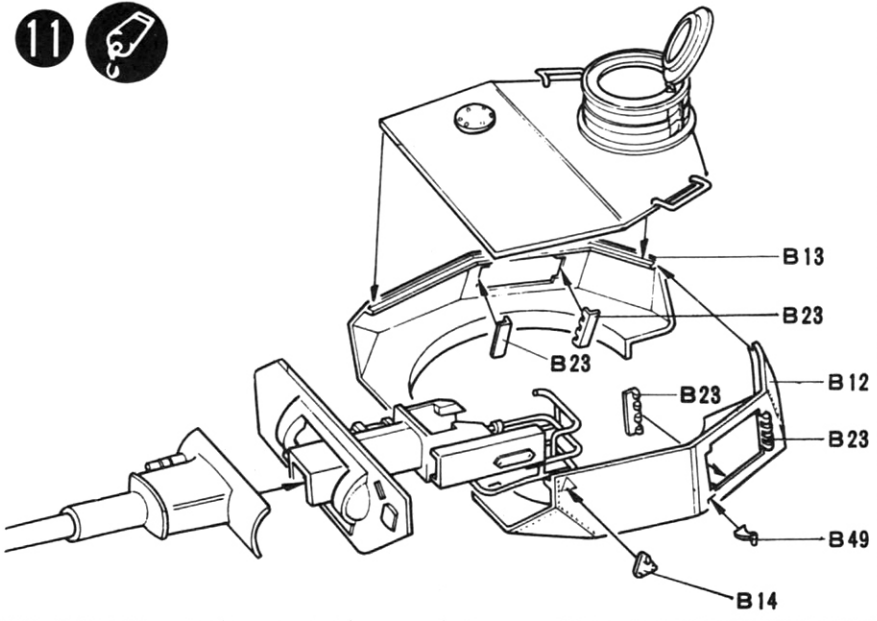
**9** 



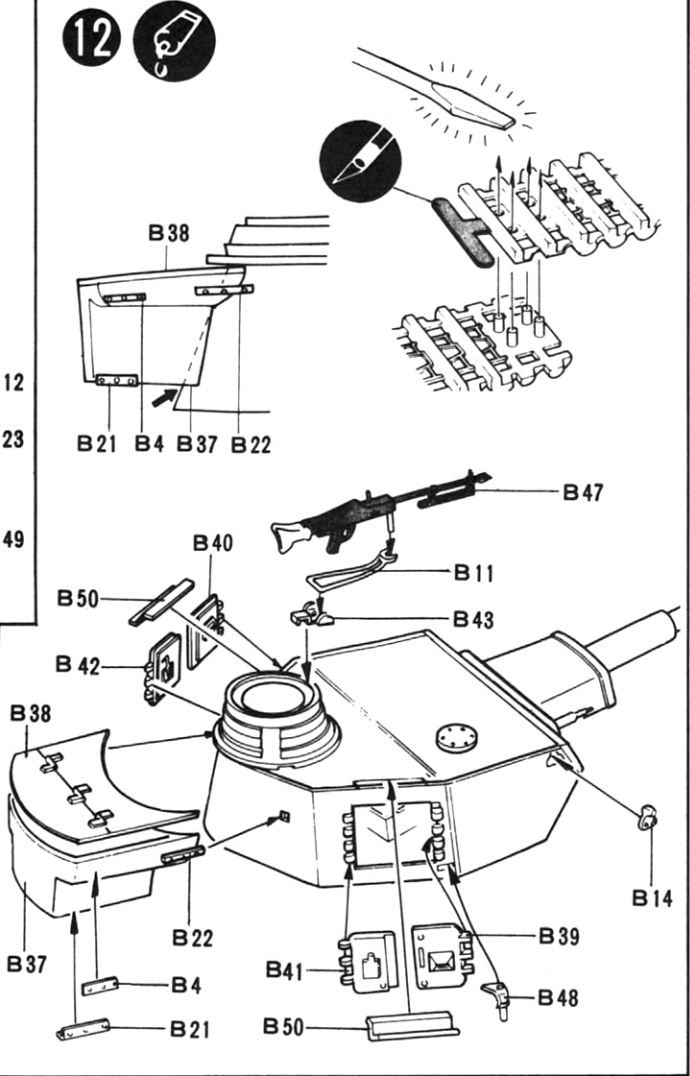
**10** 



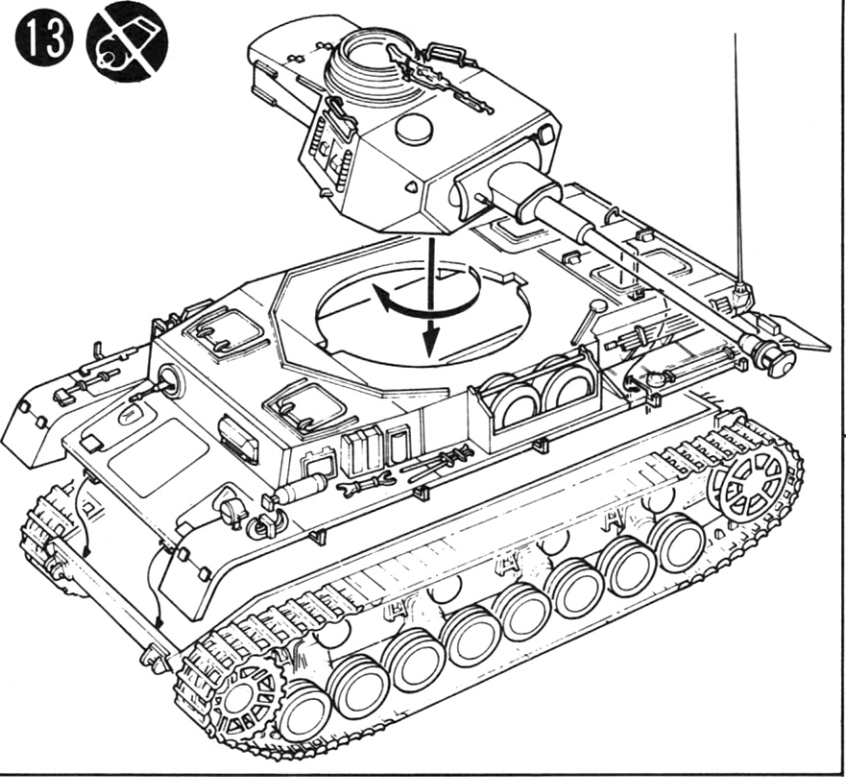
11



12



13



**ACADEMY**  
HOBBY MODEL KITS