



AAVP-7A1 RAM/RS

AAVP-7A1 近代化改修型

AAVP-7A1 RAM/RS改进型两栖运兵车

PLEASE READ BEFORE OPERATION!

- * Tools recommended as below: (Not included)
Adhesives; Paints; Side Cutters; Sharp Edged Pliers; Modeling Knife; Modeling File; Nippers; Drill; Scissors; Sand Paper; Soft Cloth; Cyanoacrylate Glue.
- * Make sure to read this instruction listed below before assembling.
- * The kit contains the small parts, they can be dangerous if swallowed by mistake, so keep them away from reach of children.
- * Cut the all parts off carefully and remove the waste parts into the garbage can.
- * More caution and care should be needed for cutting and handling the photo etched parts.
- * Make attention that some parts should be attached the decal when assembled.
- * During assembling, please tear up and throw away the plastic bags, or may cause the dangerous if wearing over head by children's mistake.
- * When using the adhesives and paints, please do not use them in the closed room or near the fire, also must be very careful to protect your eyes, face and clothes.
- * Adult supervised when assembled by children under 14 years old.

装配前请仔细阅读:

- * 推荐使用的模型工具(请自备):
专用模型胶水, 专用模型油漆, 水口剪刀, 长咀钳, 刀片, 锉刀, 镊子钳, 钻, 剪刀, 软布, 砂纸, 瞬间快干胶等。
- * 用水口剪刀或刀片小心切下所有塑胶零件和蚀刻片零件, 不要遗失小零件。
- * 切取蚀刻片时应特别注意防止利边划伤手指。
- * 用模型锉刀小心锉平所有零件表面的注射浇口。
- * 用适量的强力快干胶水粘合蚀刻片零件和金属轴, 切忌过量, 否则可能导致可动零件被粘住。
- * 注意某些零件表面需在装配时同步贴水上贴纸。
- * 制作时应远离幼儿并将包装袋及时收妥, 谨防小孩玩耍而引起意外。



cyanoacrylate glue
强力胶



weight
配重



make hole
钻孔



cut / remove
切除



option
选择



no cement
不涂胶水



decal
贴纸



bend
弯曲



repair
填补

The method to apply the decals

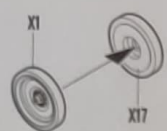
1. Cut off the decal from the decal paper and put it into the warm water 40°C for 10 seconds.
2. Take the decal from the water and put it on a piece of clean cloth.
3. Remove the decal slowly from the paper to the targeted location by a wet finger.
4. Use a piece of dry and soft cloth to press it gently on the decal until it getting dry and no bubble existing.

水贴纸的使用方法:

- 一. 把相关的印花从水贴纸上剪下, 放入40°C左右的温水中浸10秒。
- 二. 然后将印花放在干净的布上。
- 三. 拿上印花纸板, 手指蘸水将印花移到适当的位置。
- 四. 用软干布轻压印花直至水干, 气泡消失。

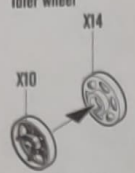
1 STEP

负重轮
Road wheel



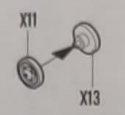
制作12组
Make twelve

诱导轮
Idler wheel



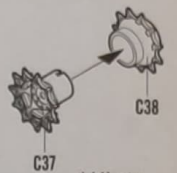
制作2组
Make two

托带轮
Support wheel



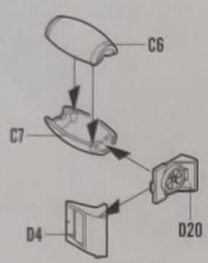
制作2组
Make two

主动轮
Drive wheel

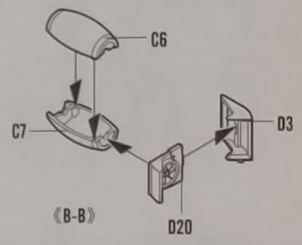


制作2组
Make two

2 STEP

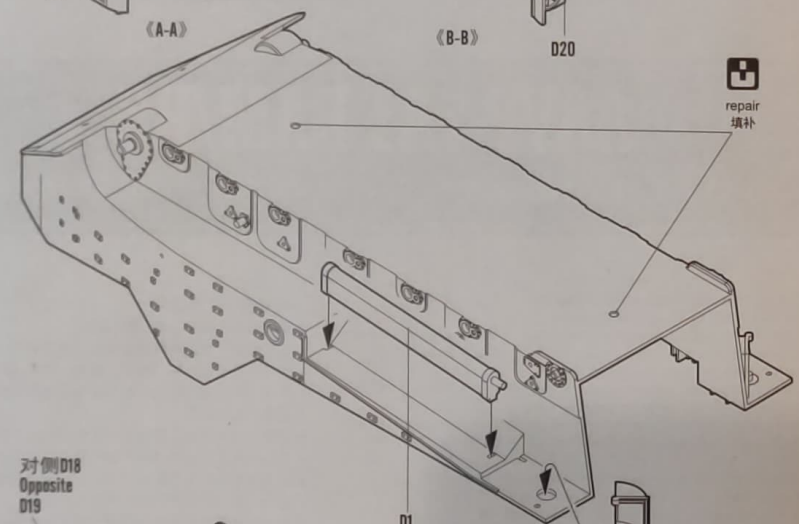


《A-A》



《B-B》

repair
填补



对侧D18
Opposite
D19

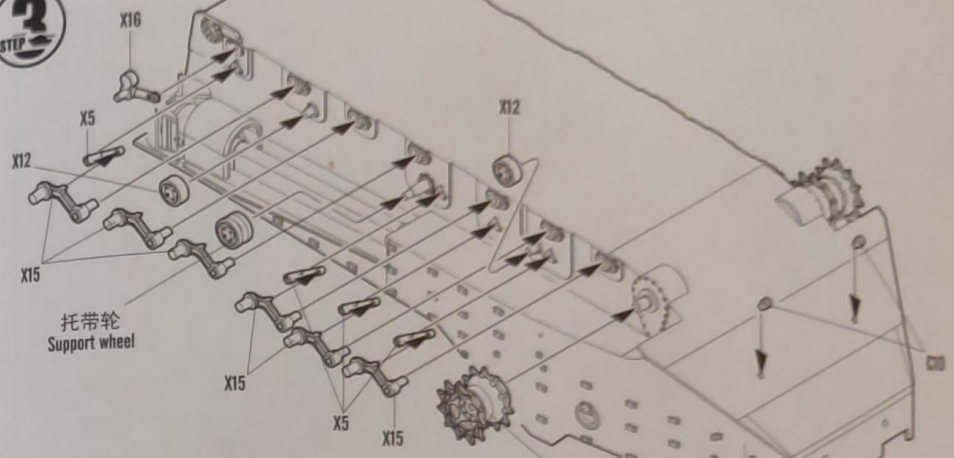
D1
对侧D2
Opposite

no cement
不涂胶水

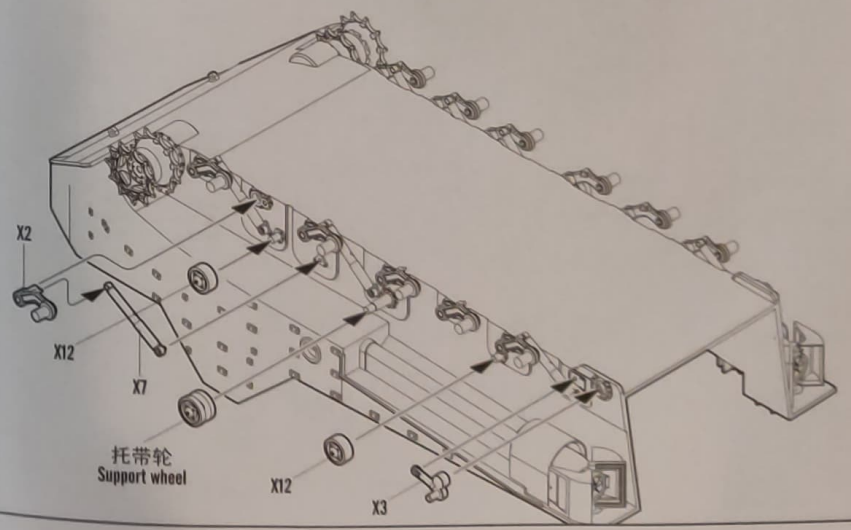
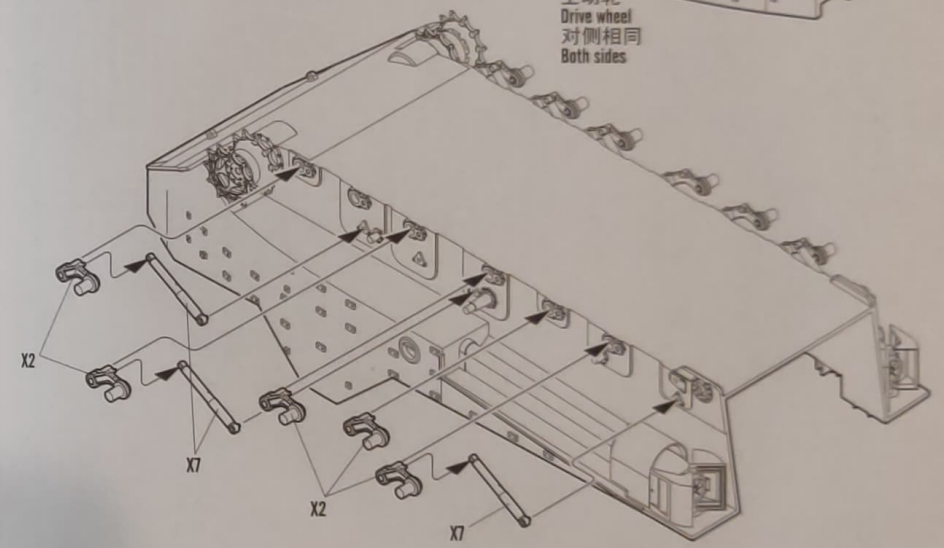
D6
对侧D5
Opposite

《A-A》
对侧《B-B》
Opposite

3 STEP

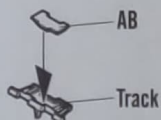
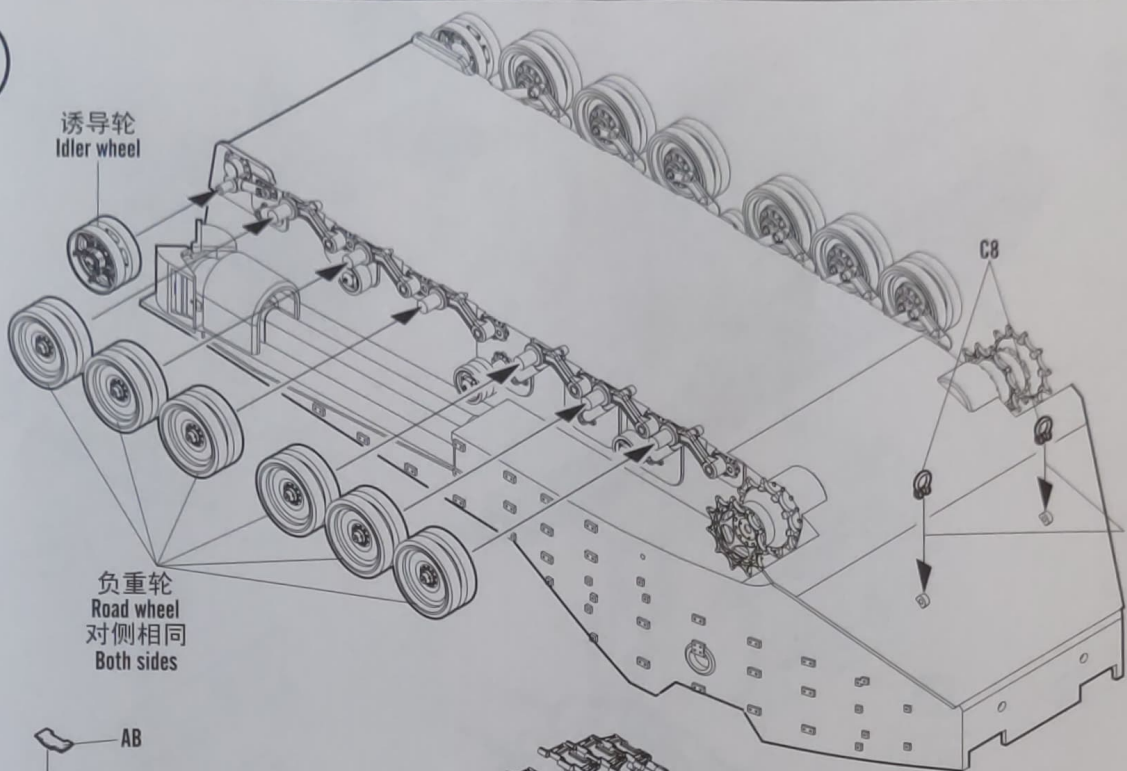


主动轮
Drive wheel
对侧相同
Both sides



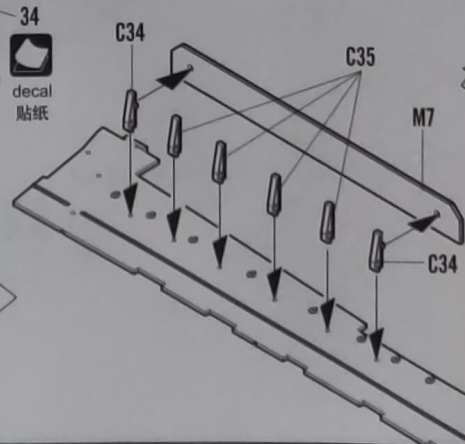
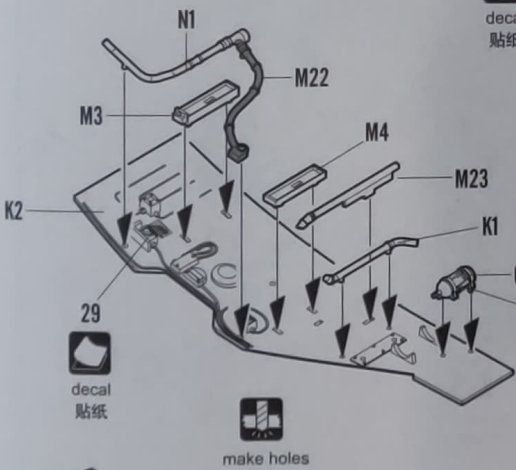
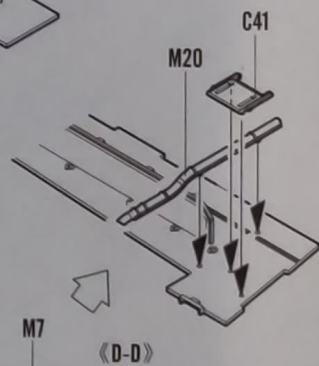
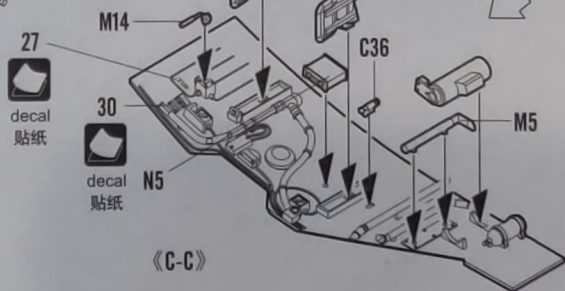
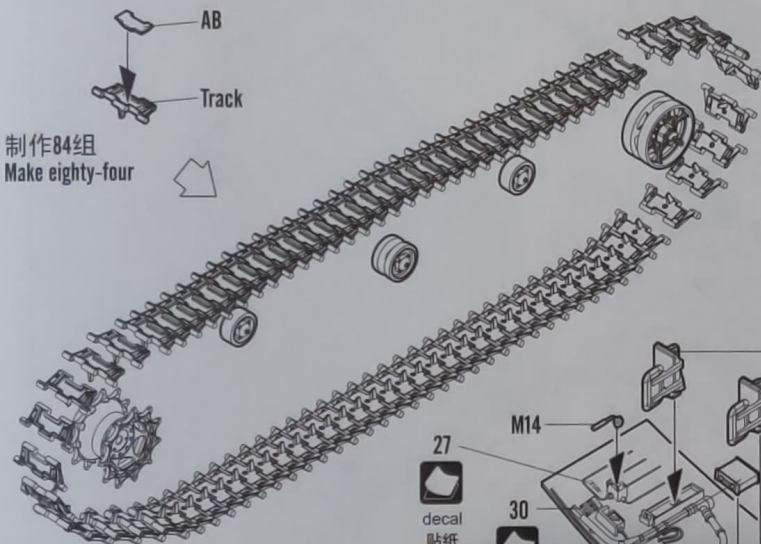
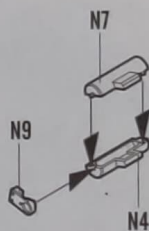


诱导轮
Idler wheel

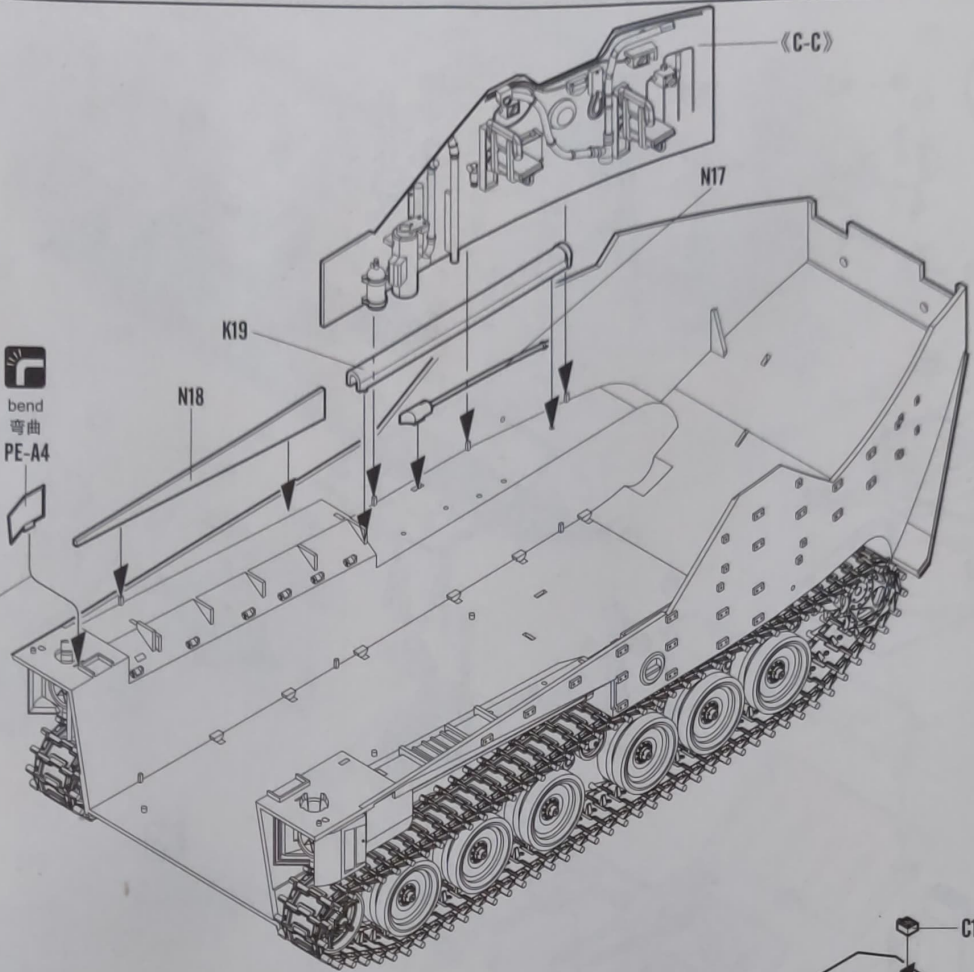



制作84组
Make eighty-four

制作2条
Make two

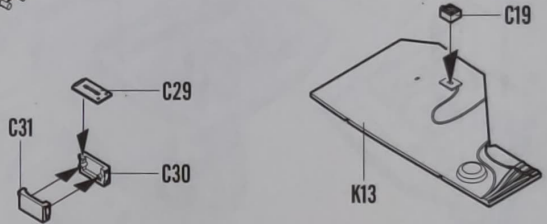
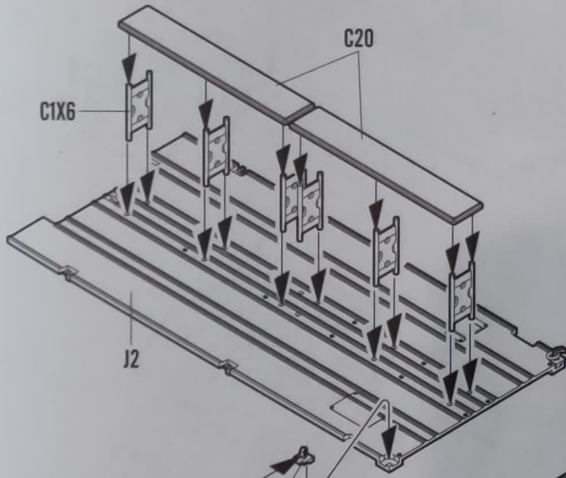


K18



 cyanoacrylate glue
强力胶

 bend
弯曲
PE-A4

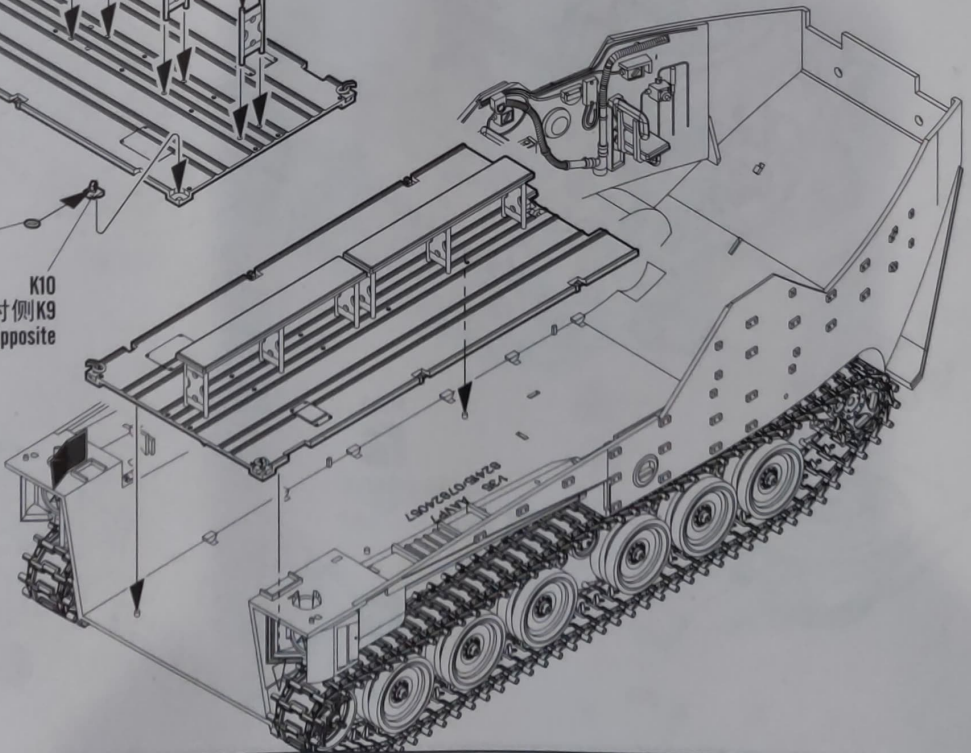


《E-E》
制作2组
Make two

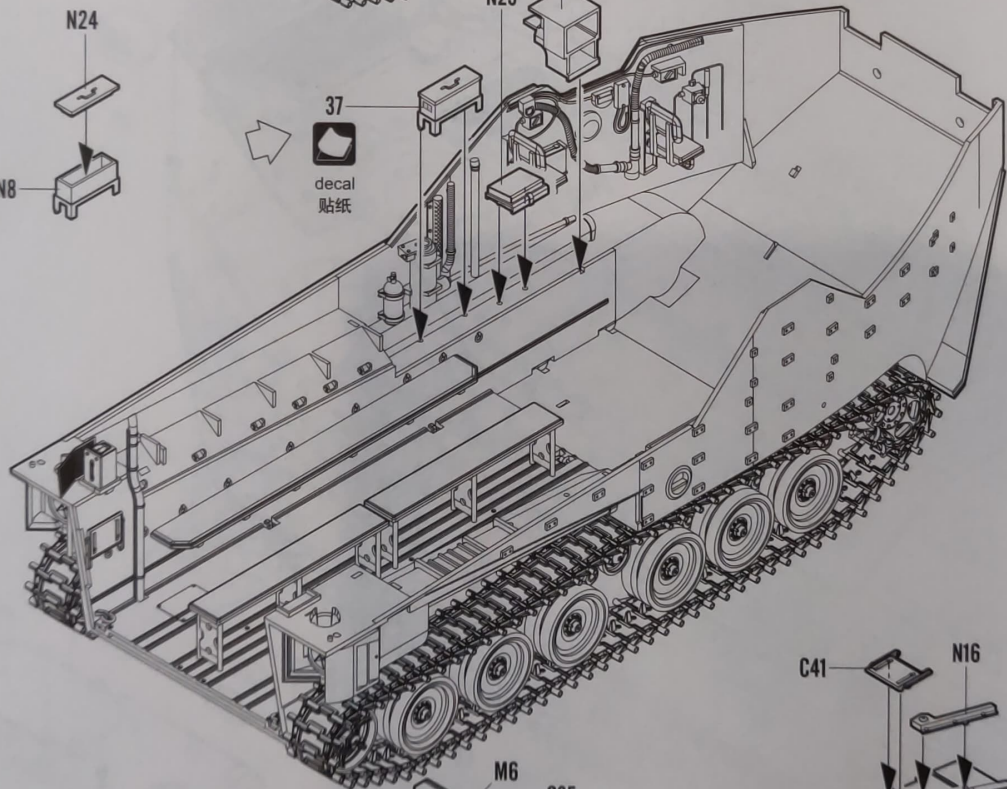
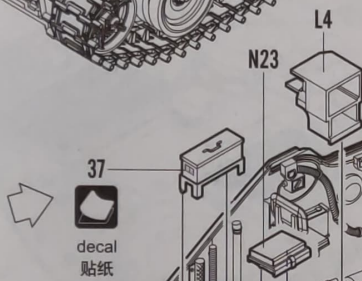
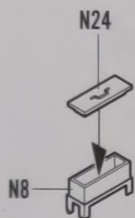
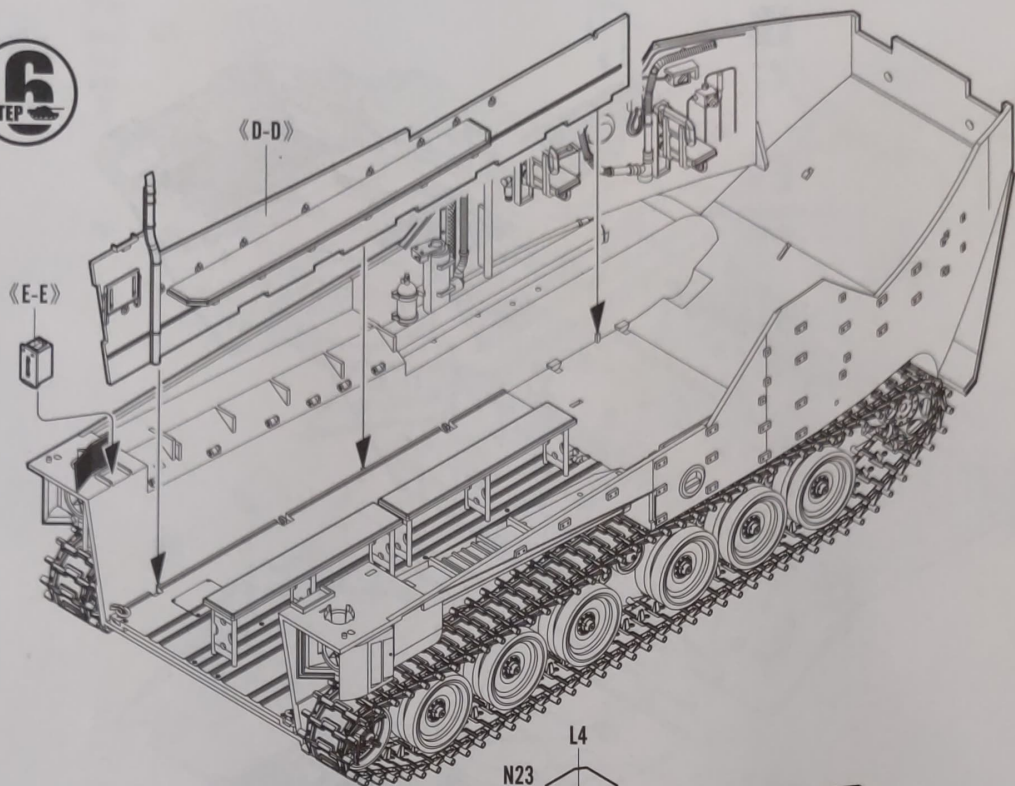
《F-F》


C9
对侧相同
Both sides

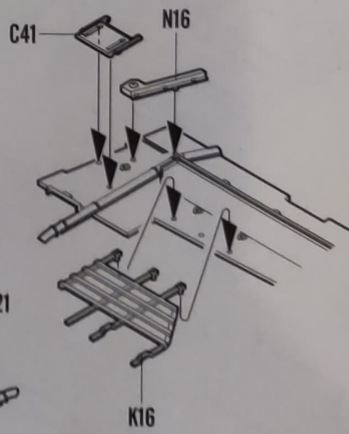
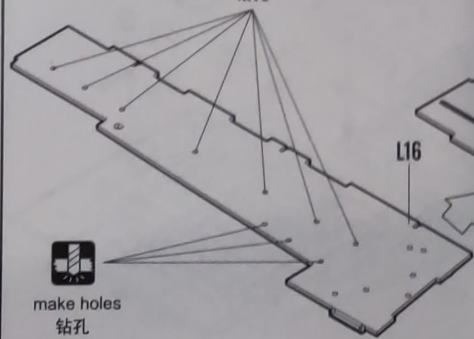
K10
对侧K9
Opposite



6
STEP

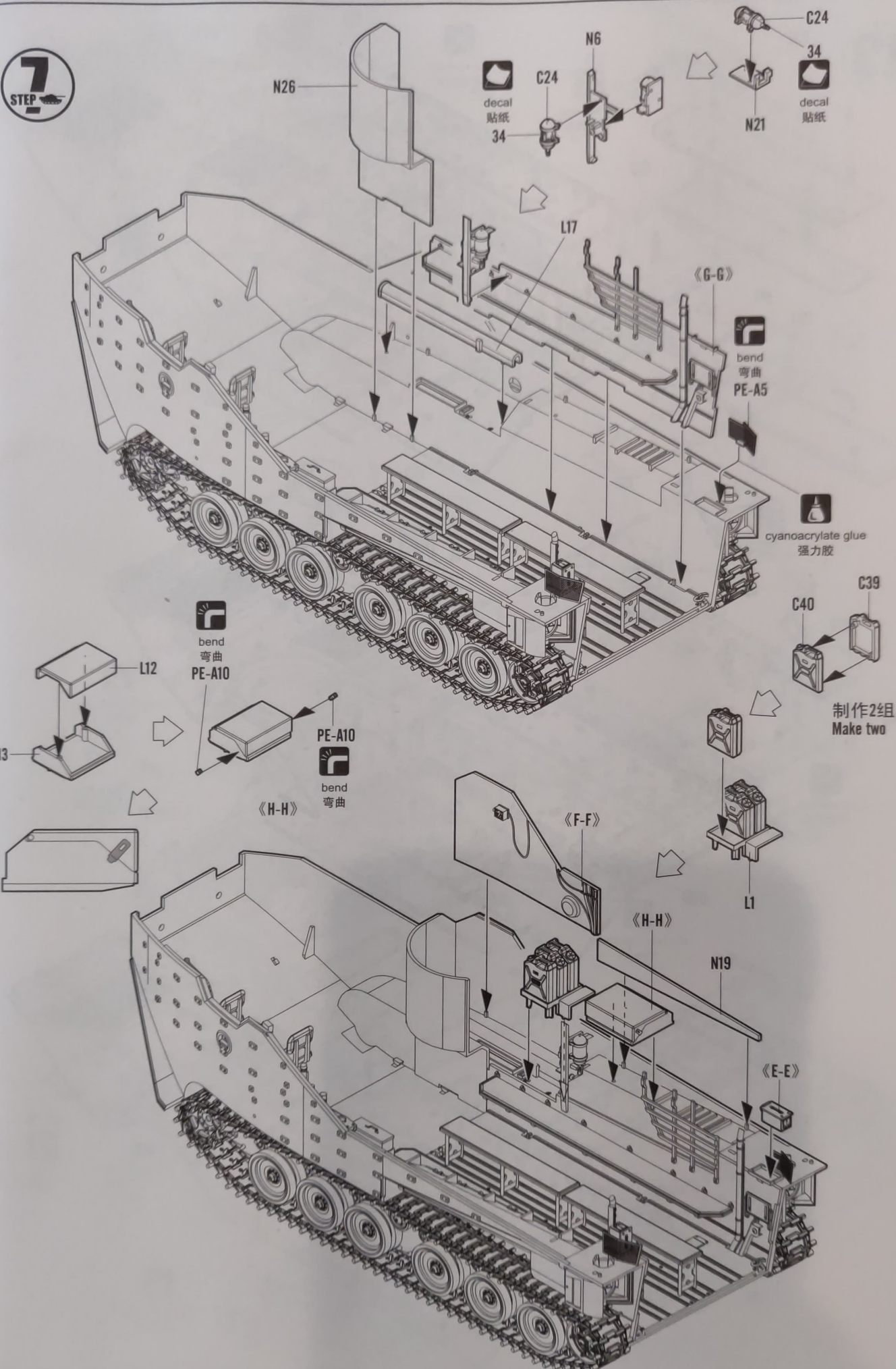


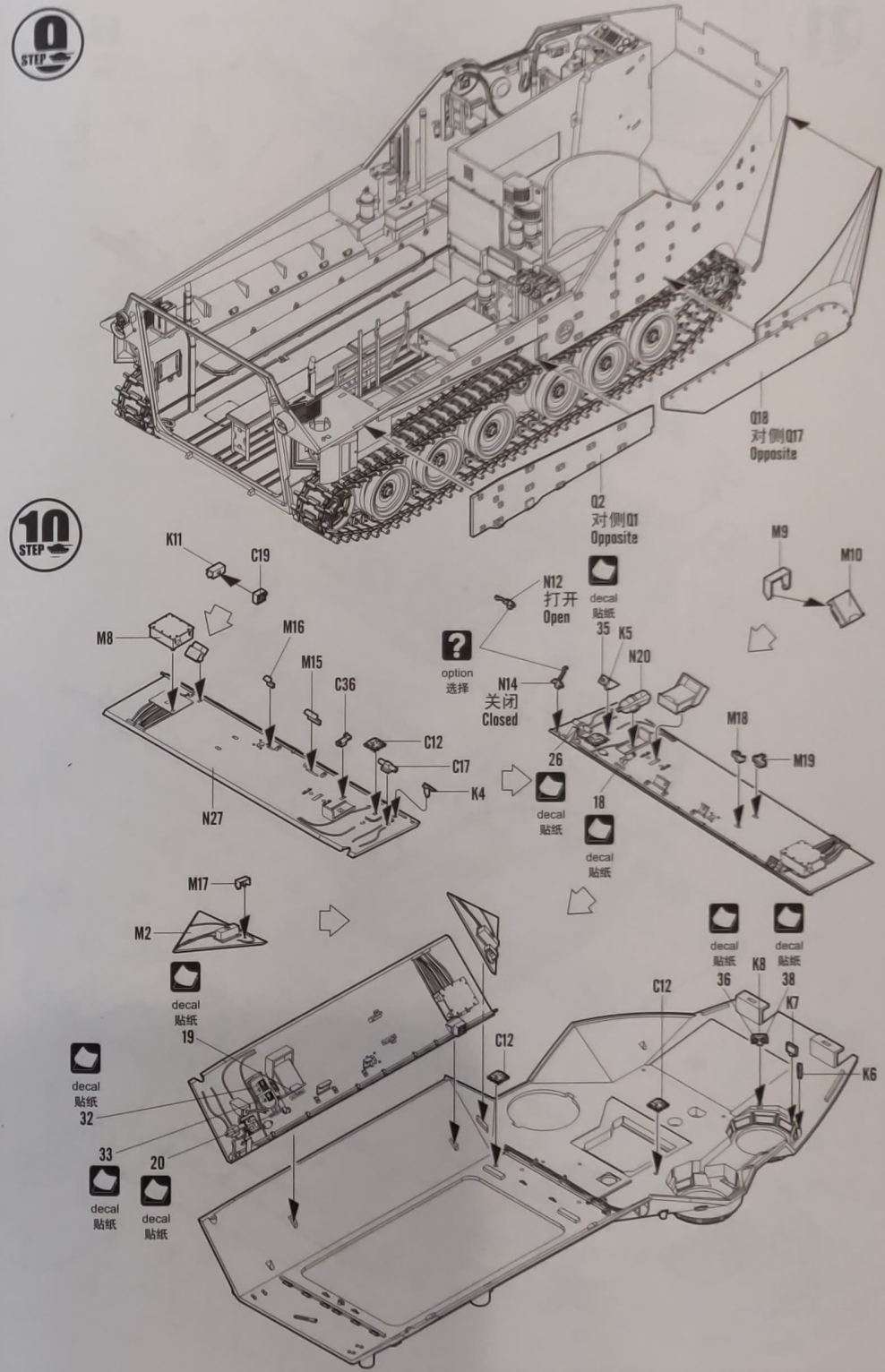
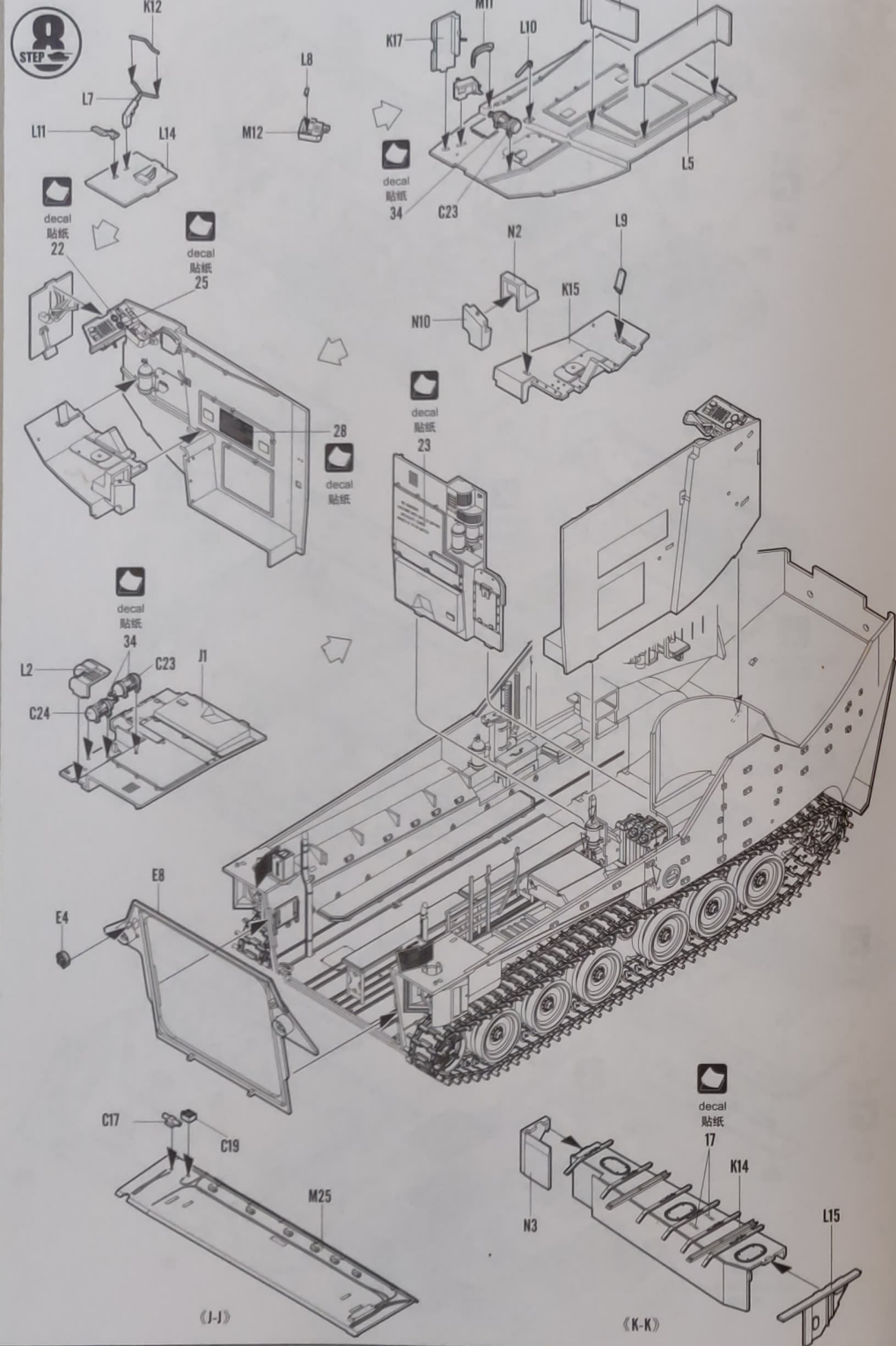
 make holes
钻孔



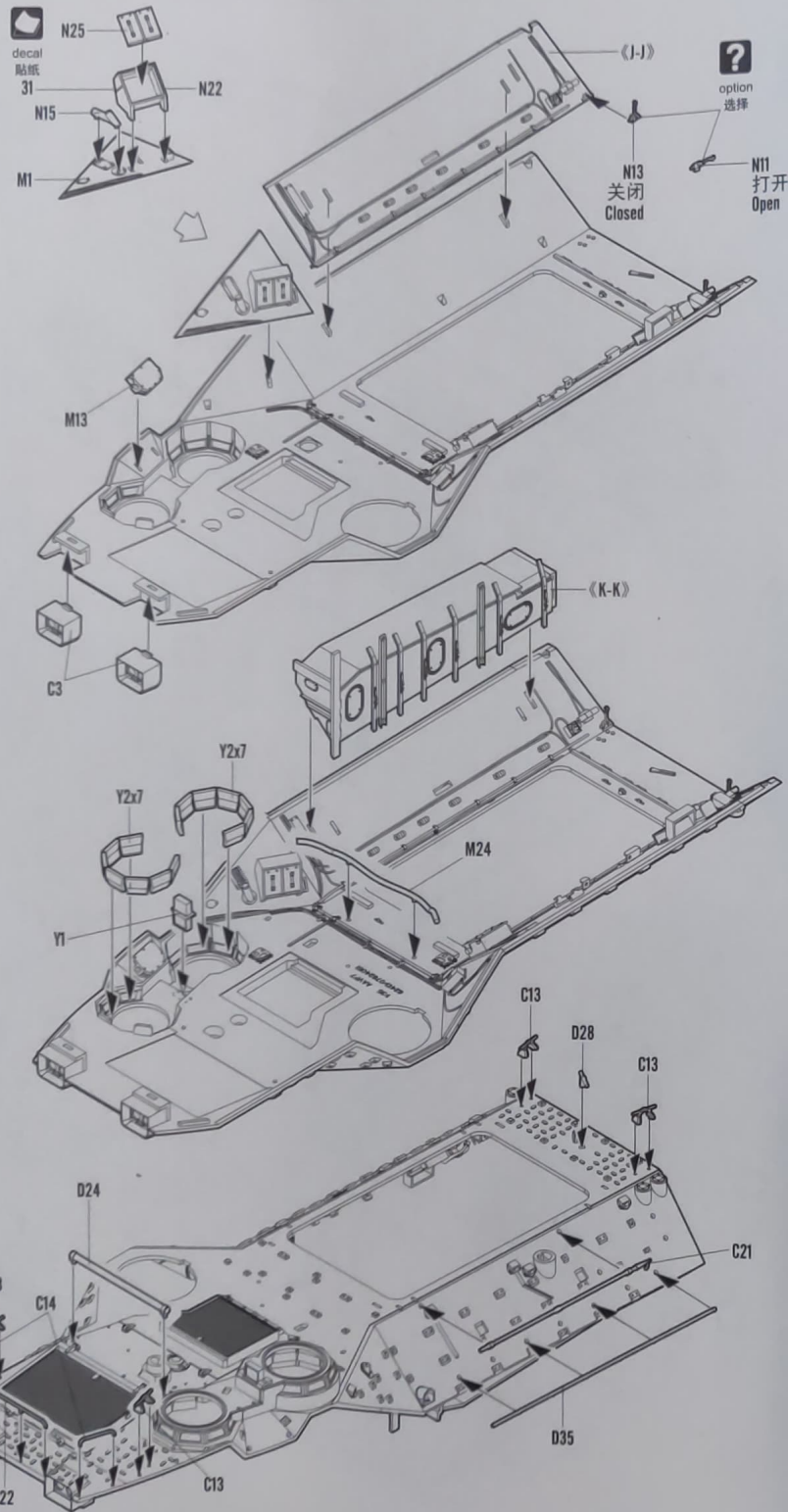
《G-G》

7
STEP

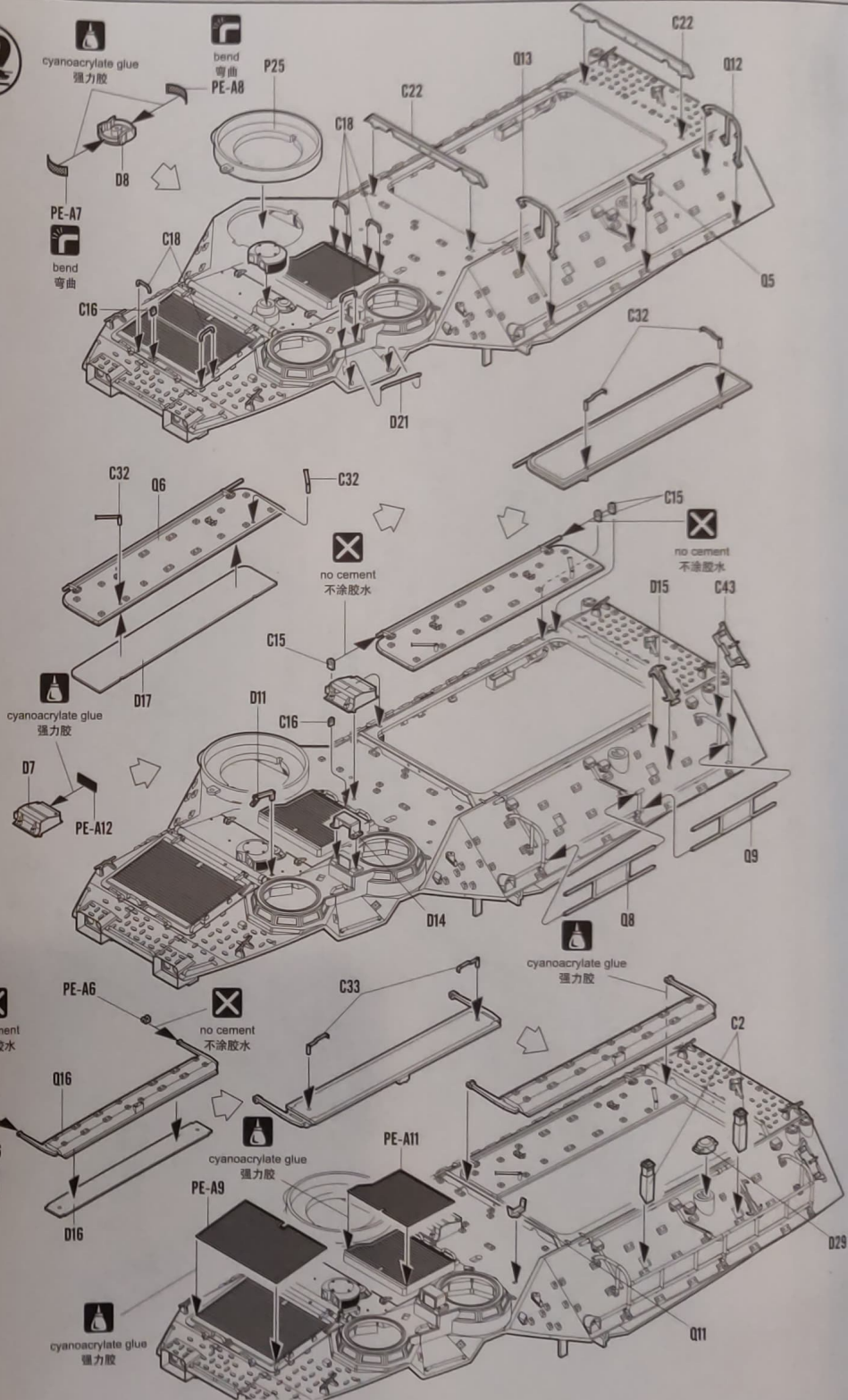




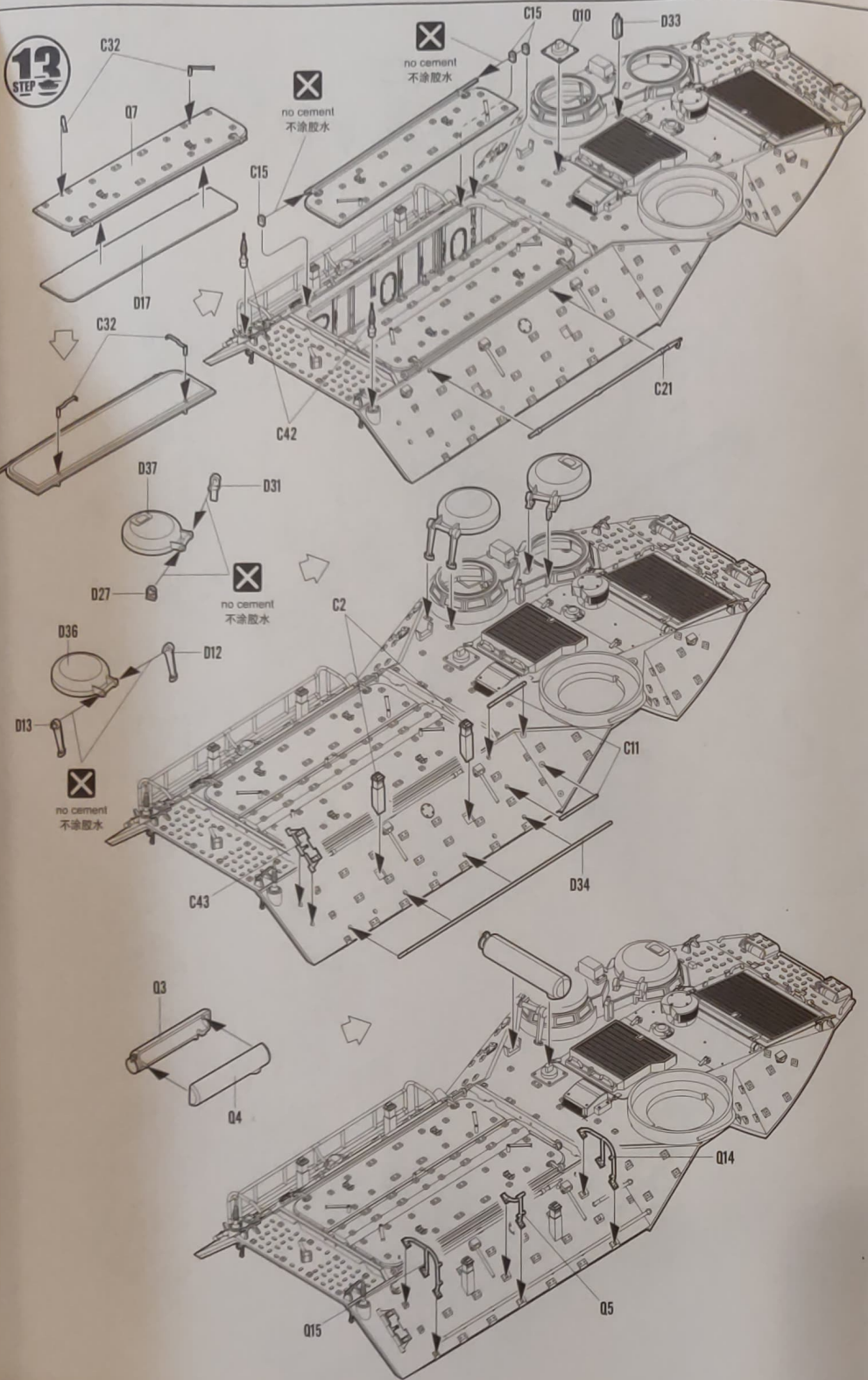
11
STEP



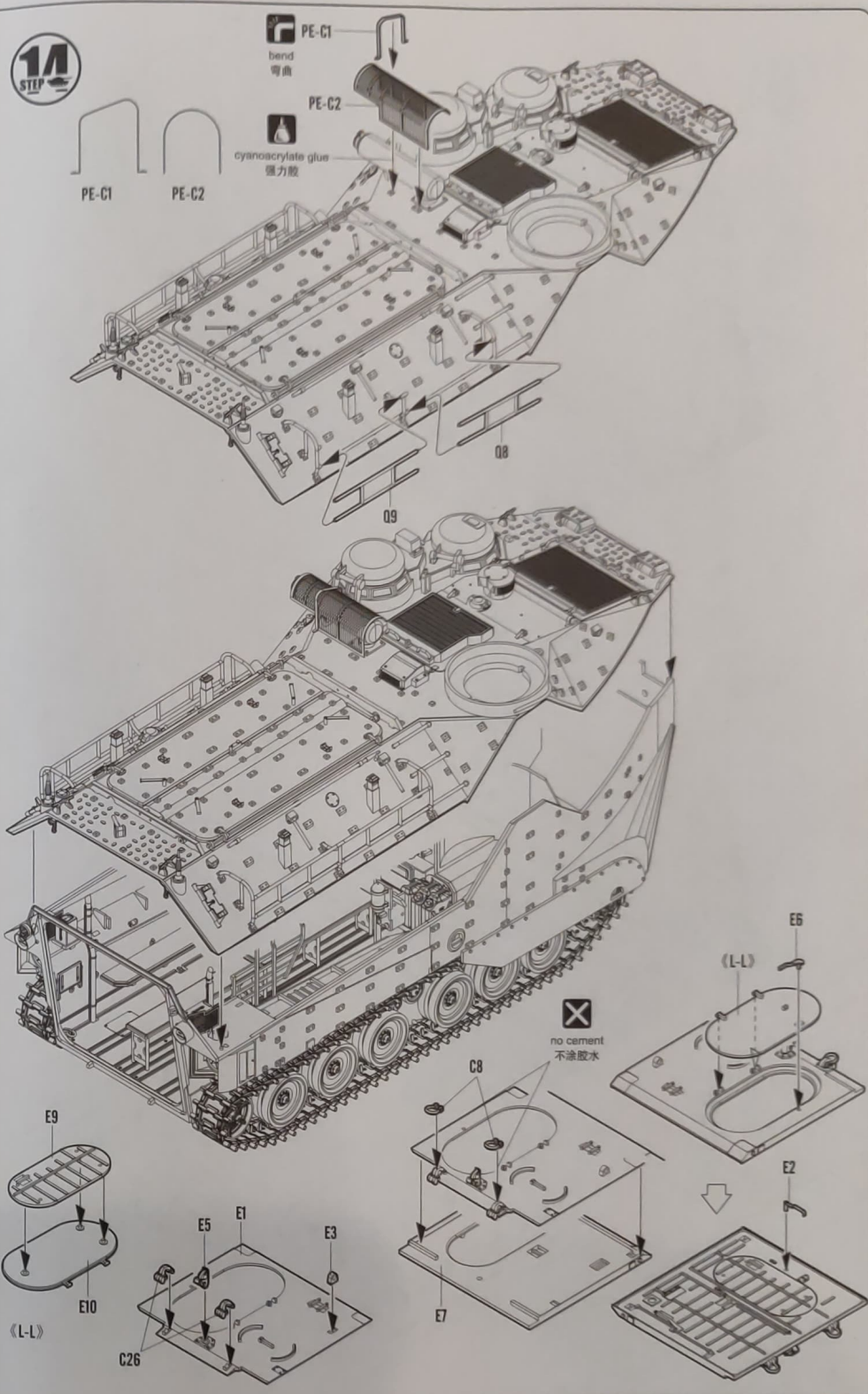
12
STEP



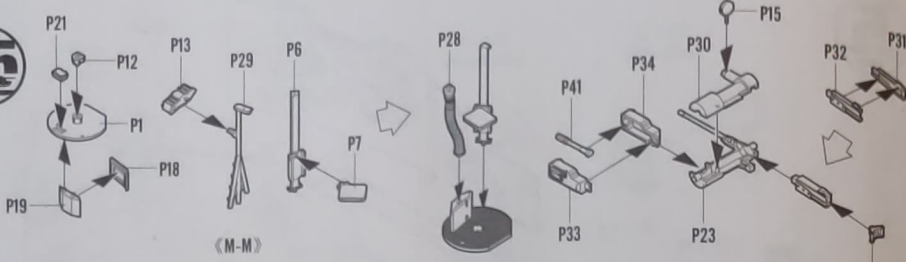
13
STEP



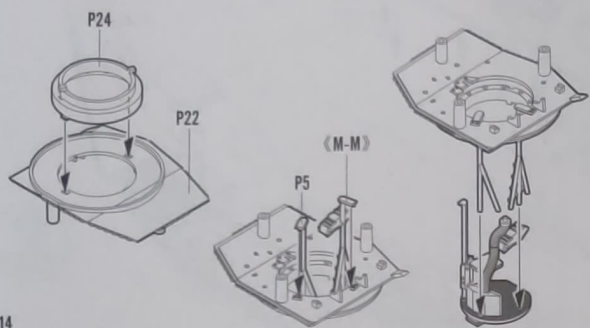
14
STEP



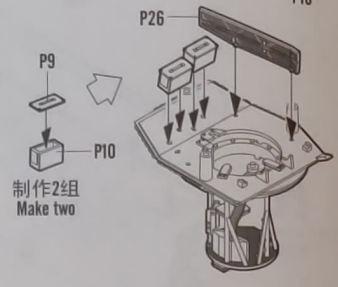
15
STEP



(M-M)

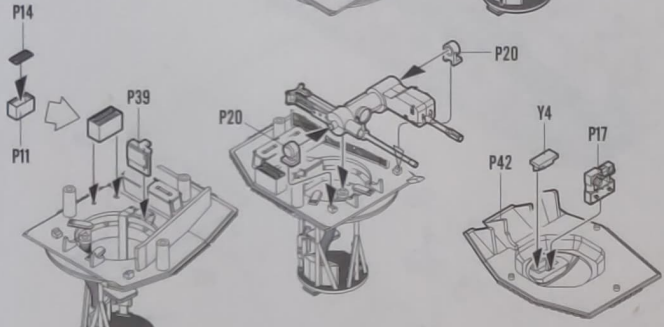


(M-M)

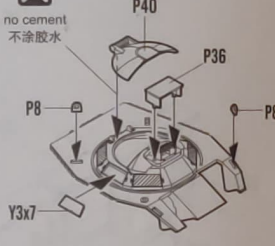


制作2组
Make two

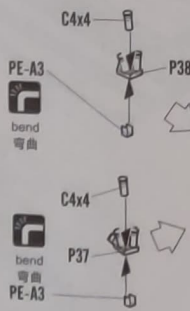
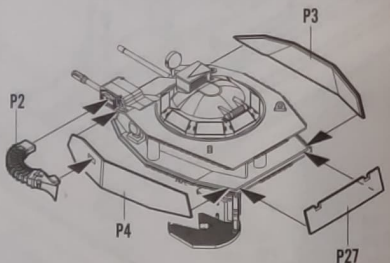
no cement
不涂胶水



no cement
不涂胶水



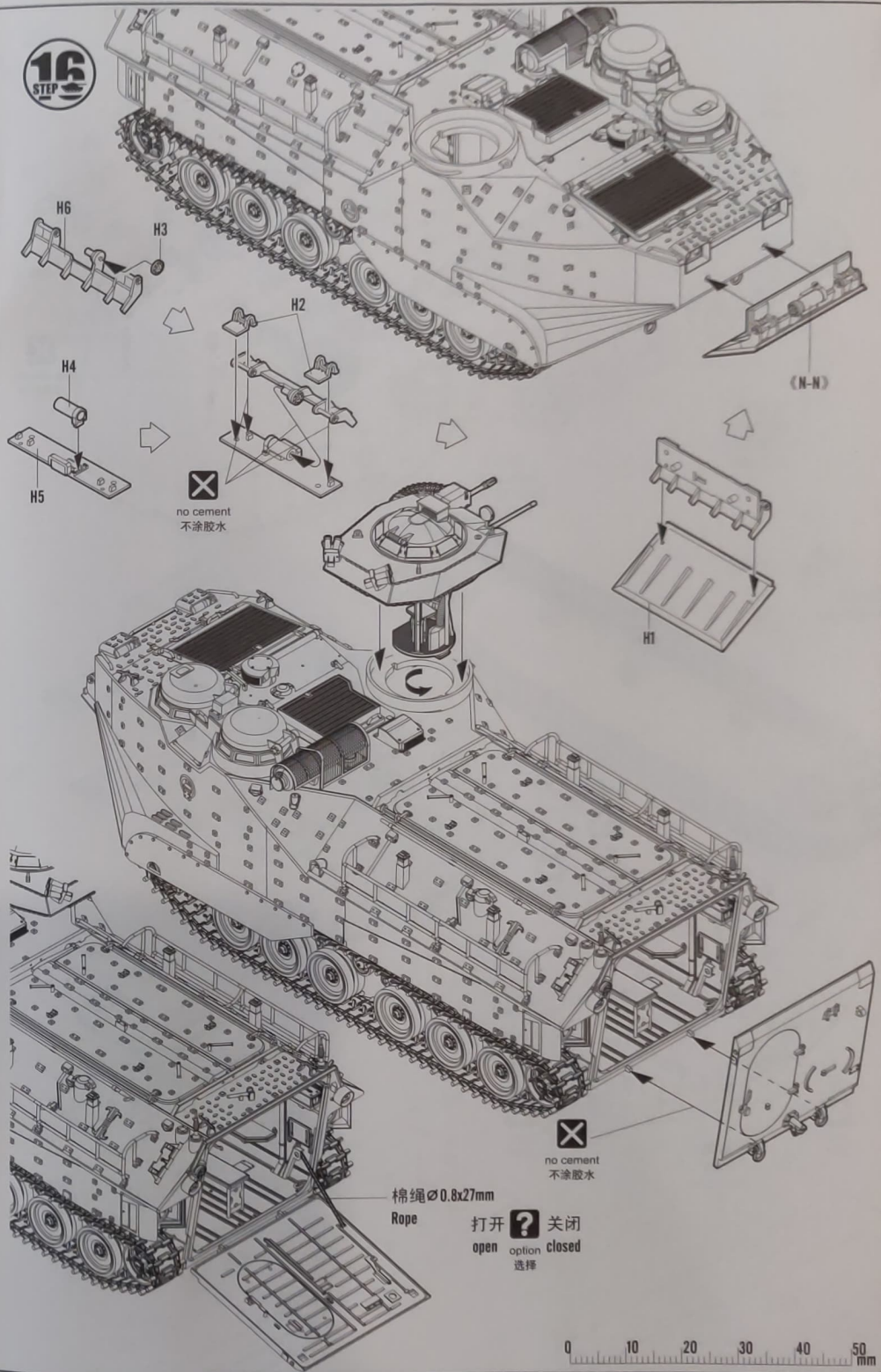
Y3x7



bend
弯曲

bend
弯曲

16
STEP



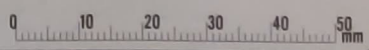
(N-N)

no cement
不涂胶水

no cement
不涂胶水

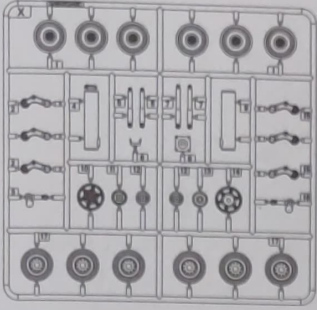
棉绳 $\varnothing 0.8 \times 27\text{mm}$
Rope

打开 ? 关闭
open option closed
选择

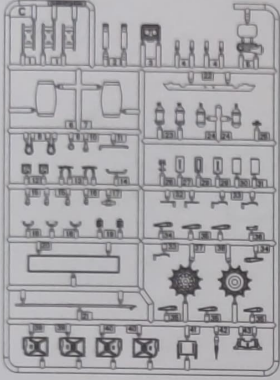


部品图 Parts

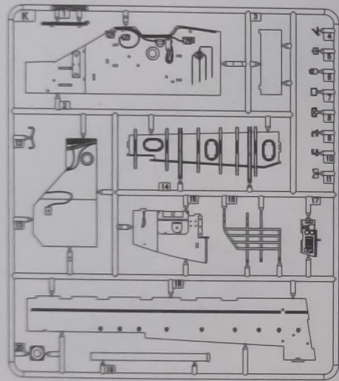
Xx2



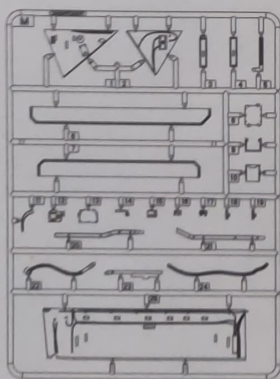
Cx2



K



M



蚀刻片
Photo etched parts (PE)

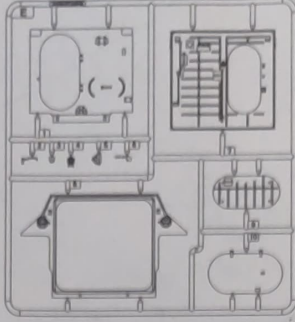
A



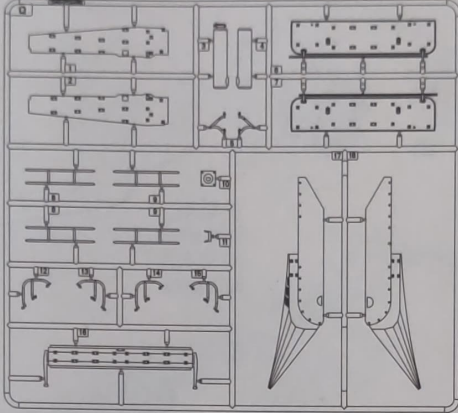
C



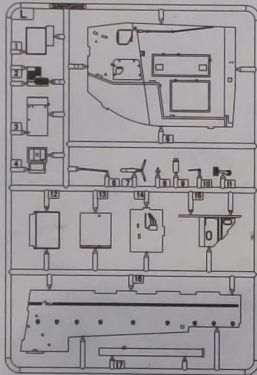
E



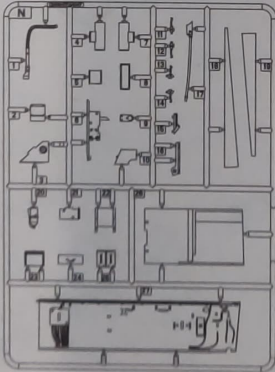
Q



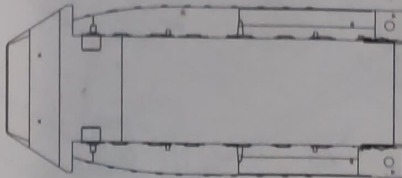
L



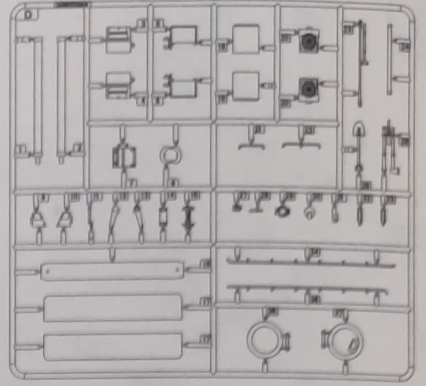
N



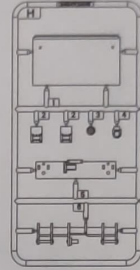
车底
Lower hull



D



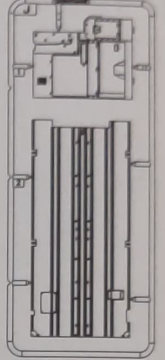
H



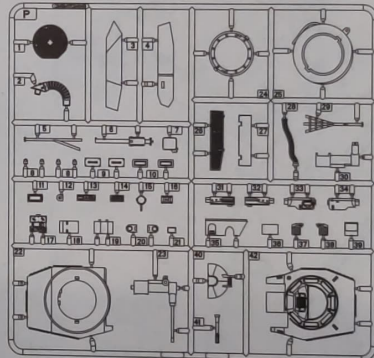
履带
Track x 90



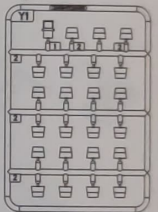
J



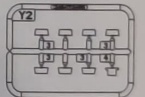
P



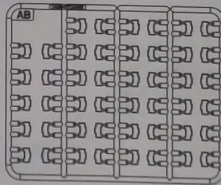
Y1



Y2



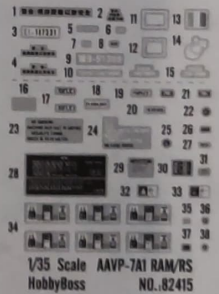
ABx4



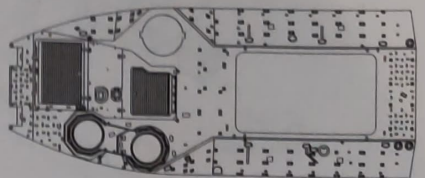
棉绳 $\varnothing 0.8 \times 50\text{mm}$
Rope



水贴
Decal



车面
Upper hull

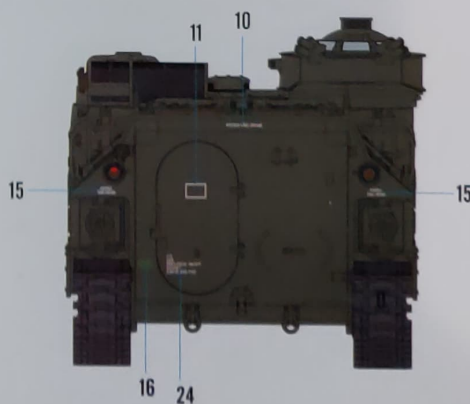
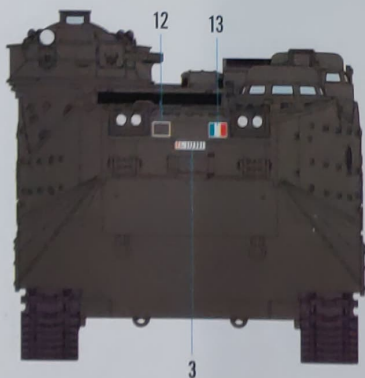
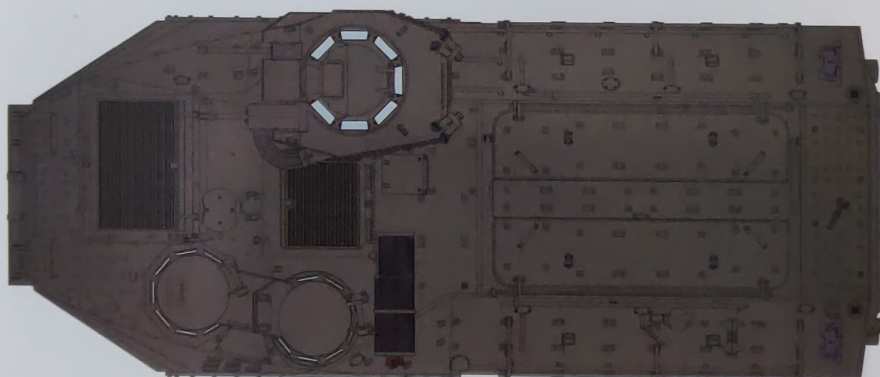


I



	Color	Mr.Hobby	Vallejo	Model Master	Tamiya	Humbrol
A	绿色 Green	H 312 312	--	1716	--	120
B	消光黑 Flat Black	H 12 33	950	1749	XFI	33
C	木棕色 Wood Brown	H 37 43	983	1701	--	186

II



	Color	Mr.Hobby	Vallejo	Model Master	Tamiya	Humbrol
D	绿色 Green	H 303 303	--	1713	XF20	117