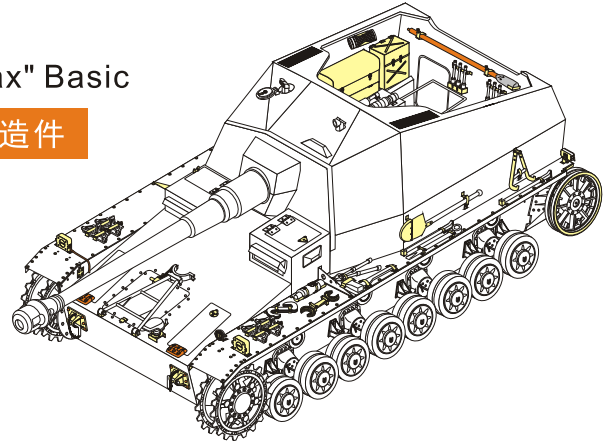


1/35 MILITARY MINIATURE VEHICLE UPGRADE SERIES PE35159

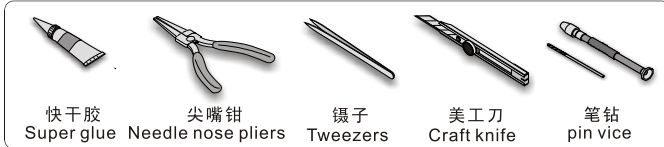
## WWII German 10.5cm K.Pz.Sfl.IVa "Dicker Max" Basic

### 二战德军IV号自行突击炮 迪克·马克斯基本改造件

[For DRAGON 6357]



**推荐使用工具 RECOMMENDED TOOLS**



- ↑  
安装  
install
- ↩  
折叠  
bend
- A1  
改造件零件编号  
PE/resin part number
- B12  
原零件编号  
kit part number
- C22  
被替换的原零件编号  
replaced kit part number
- ↕  
另一侧相同制作  
repeat on opposite side

- ✂  
切除  
remove
- 🔪  
打磨  
grind off
- 📐  
弧度卷曲  
radial bending
- x2  
制作若干组  
multiple assembly
- ⇄  
选择安装  
alternative
- 🔧  
钻孔  
drill
- 📌  
用胶棒制作  
make from plastic rod

↓  
用尖端在凹槽处冲压  
use penpoint to press on the dent

蚀刻片零件内面向上  
Put the part upside down

用笔尖在凹槽处刮  
Use penpoint to press on the dent

**a**

**b**

**c**

**d**

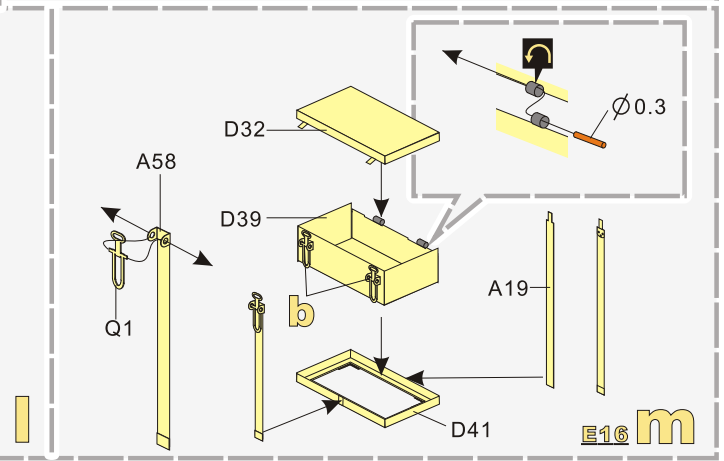
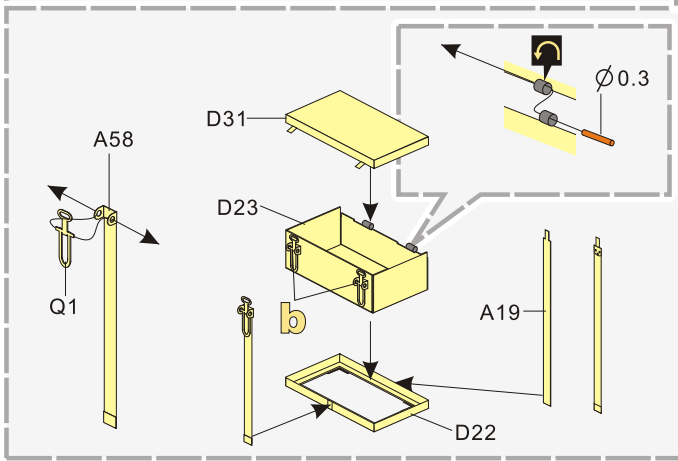
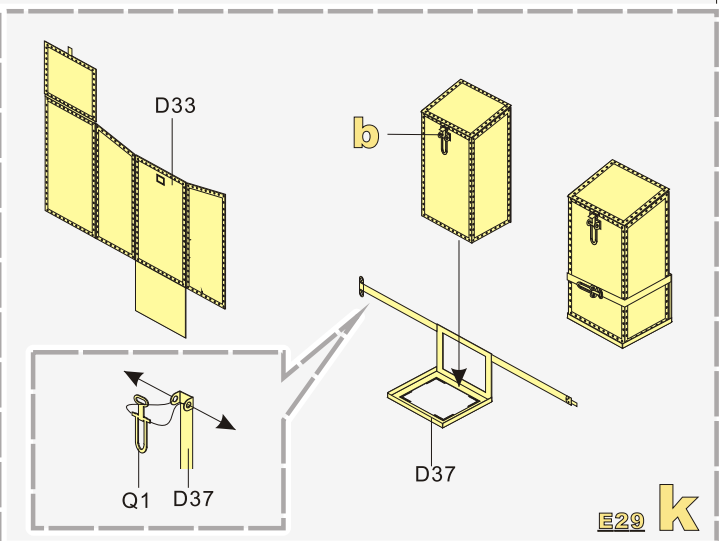
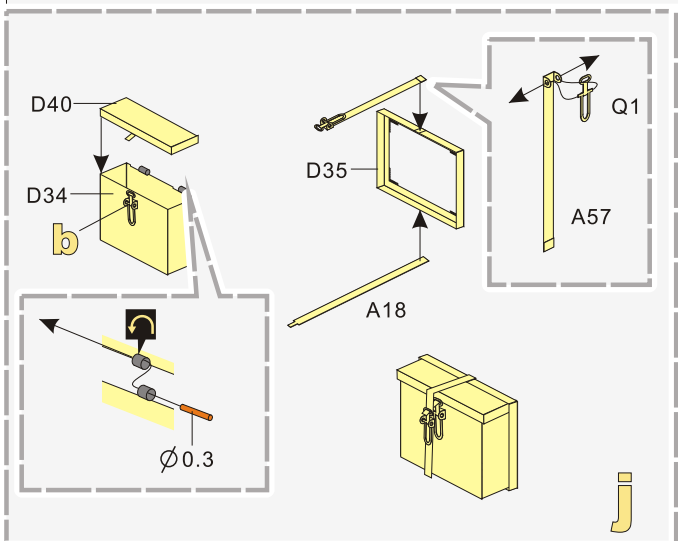
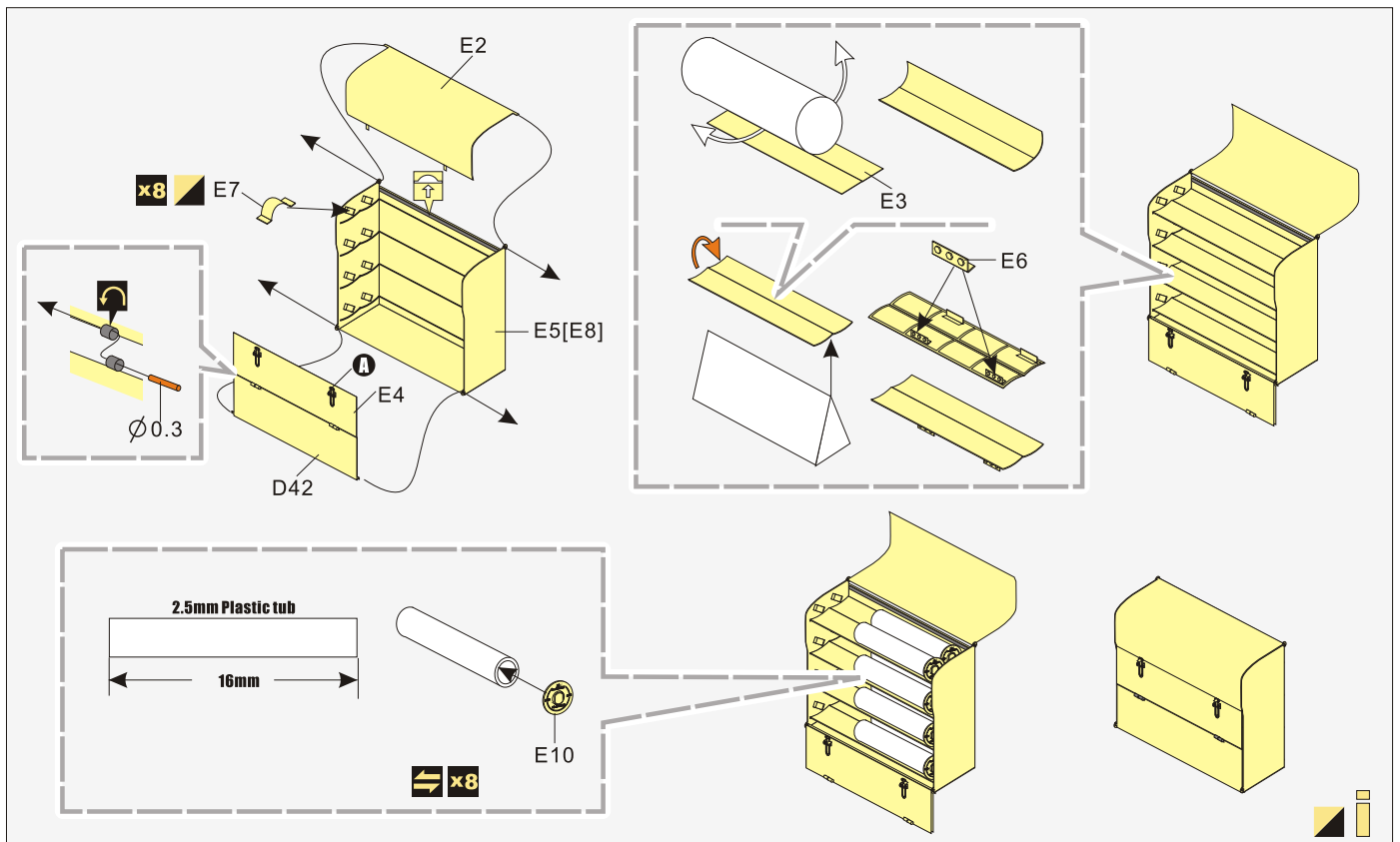
**e**

**f**

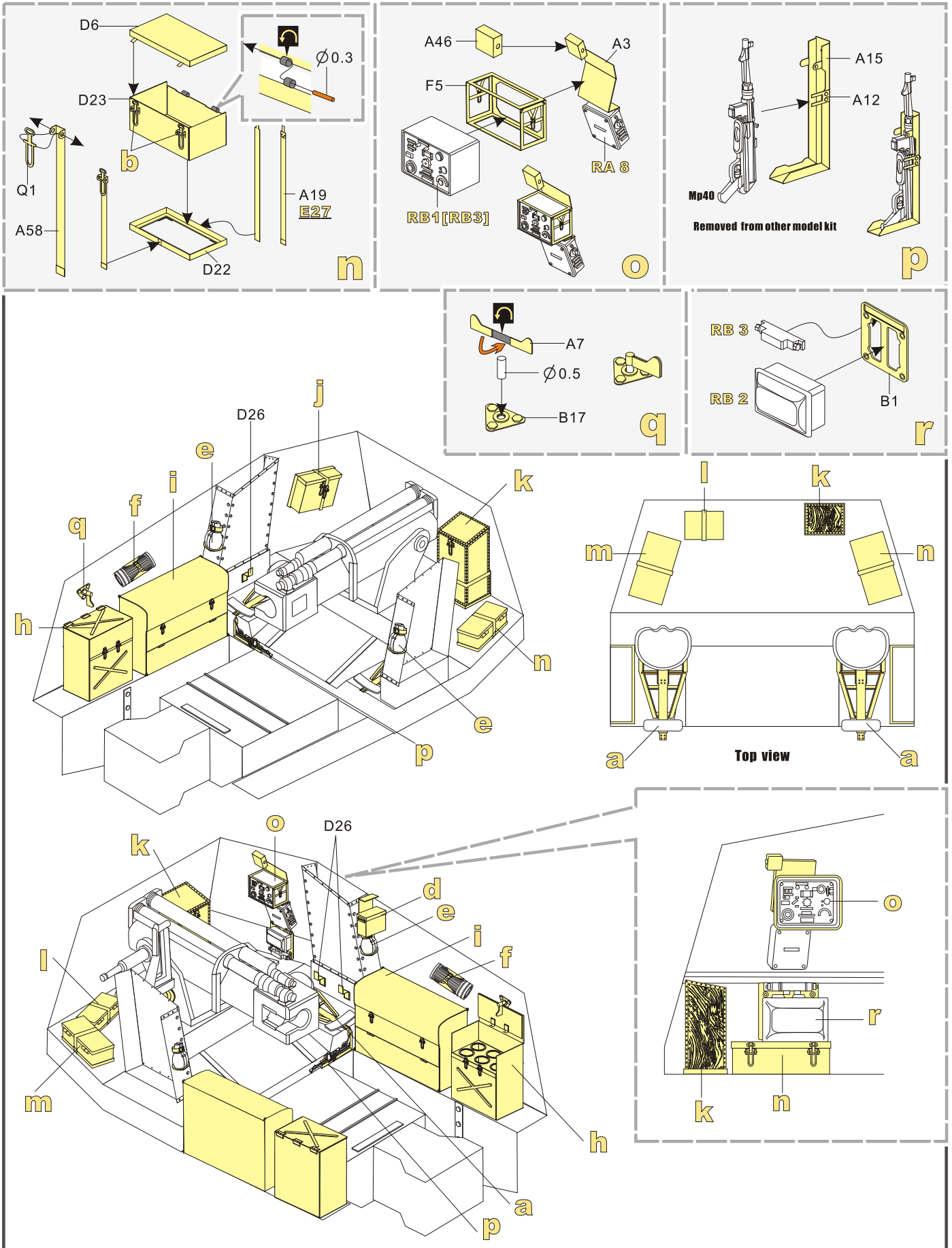
**g**

**h**

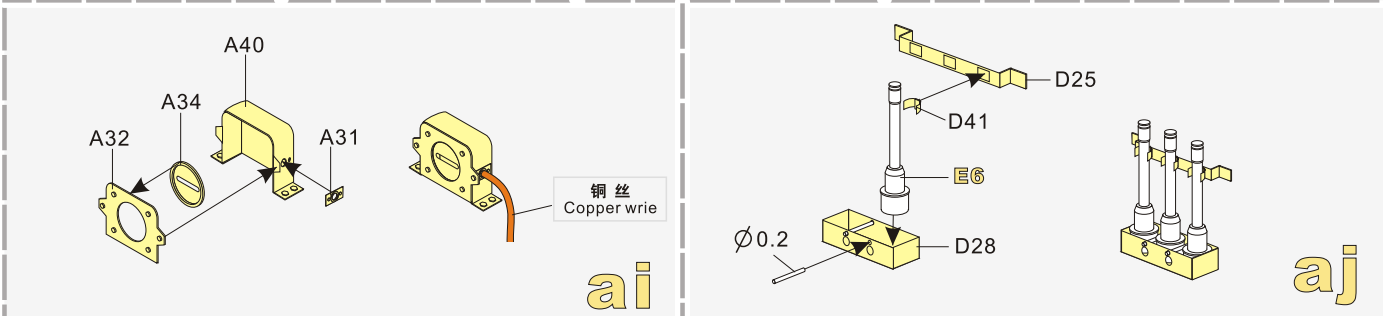
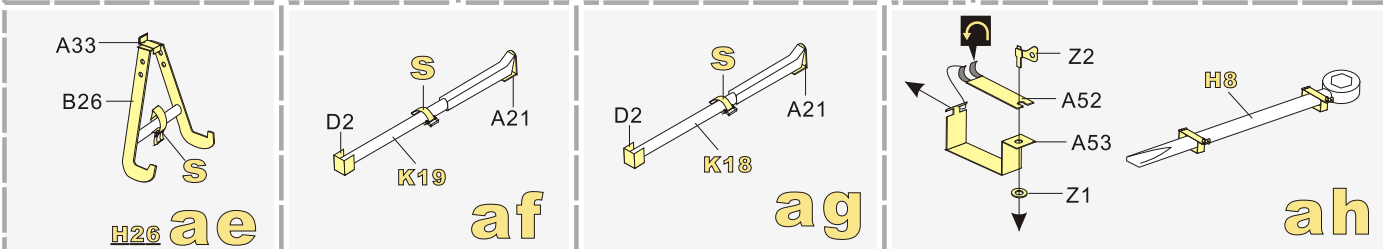
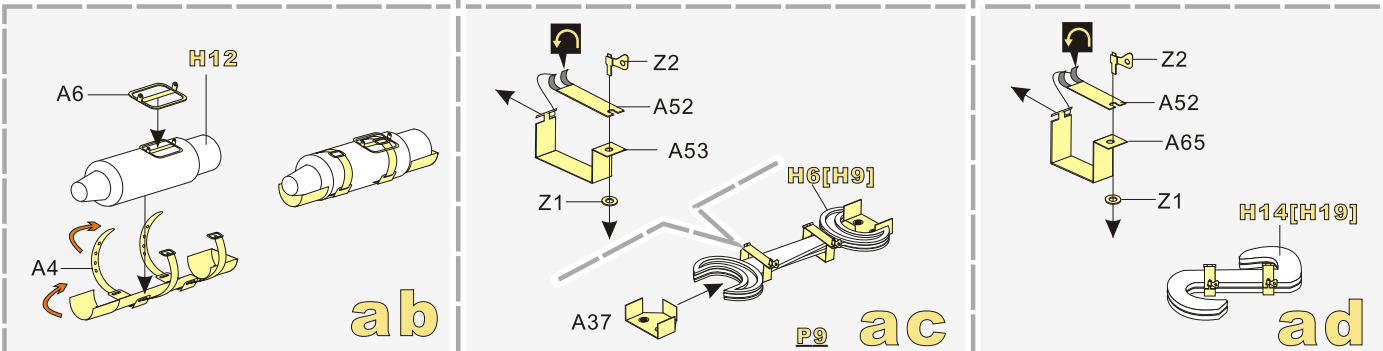
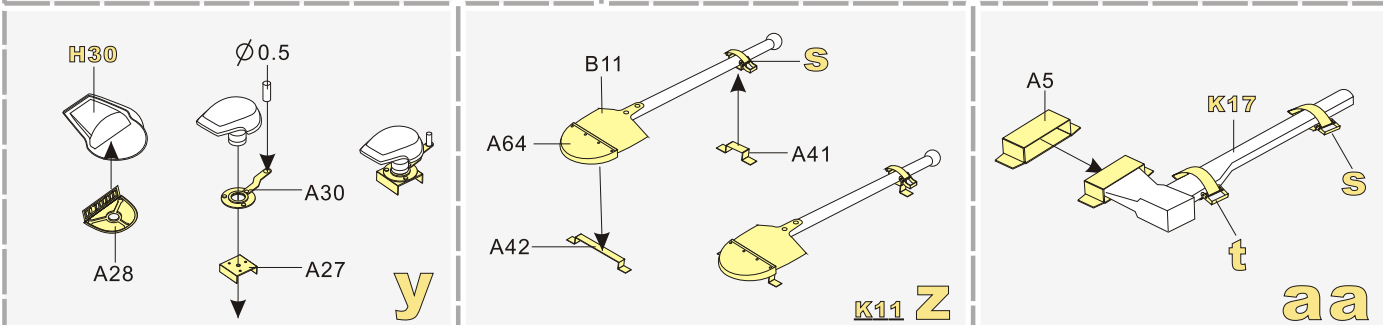
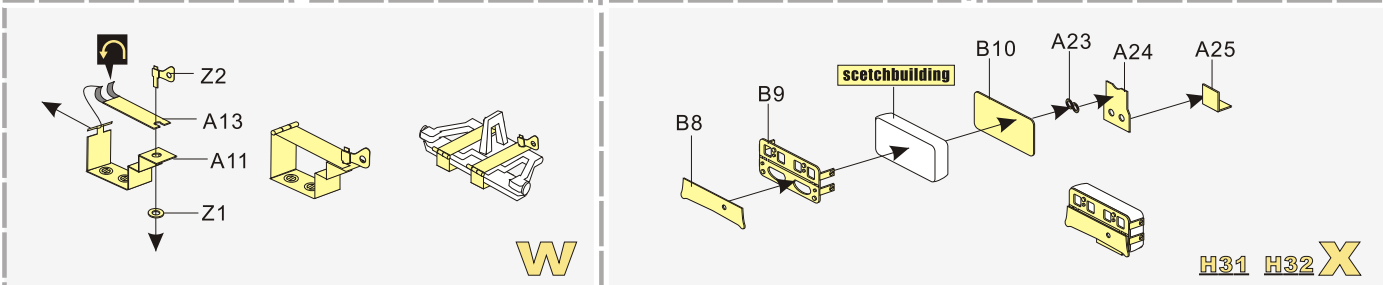
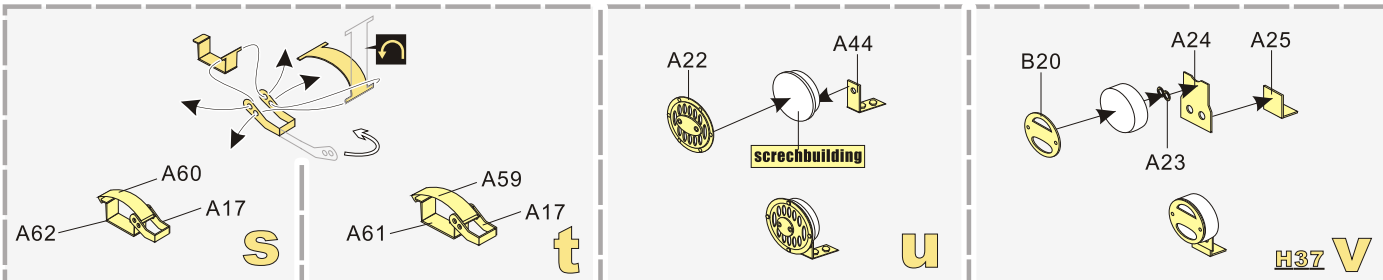
1/35 MILITARY MINIATURE VEHICLE UPGRADE SERIES PE35159



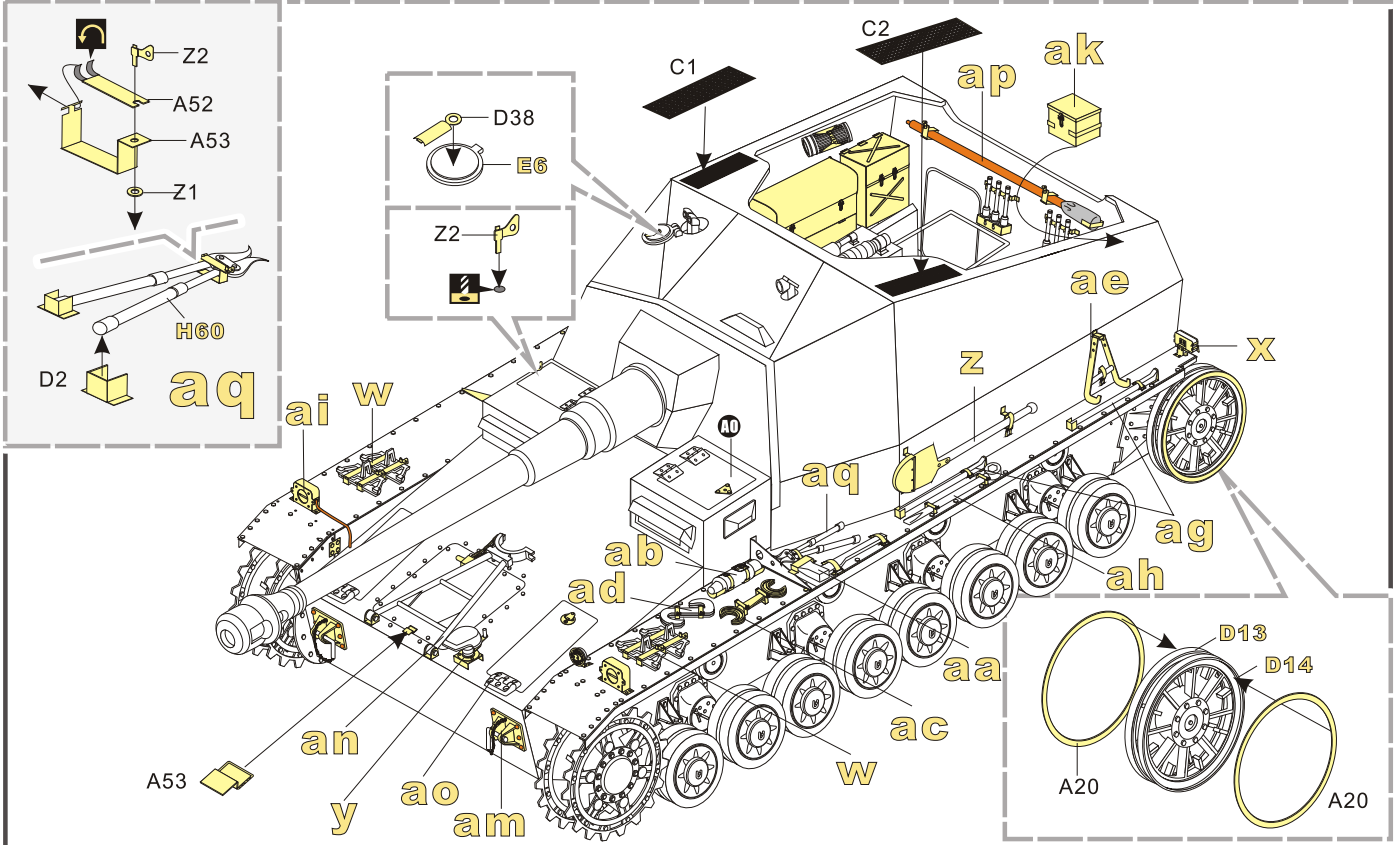
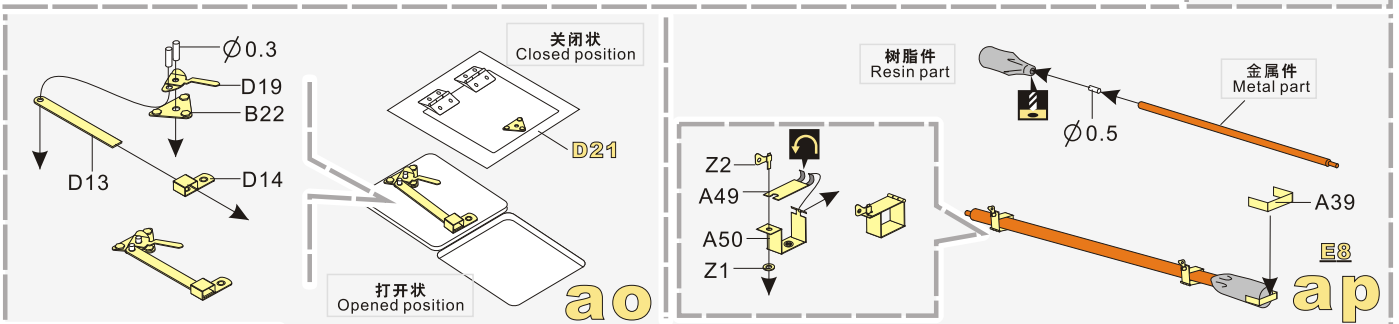
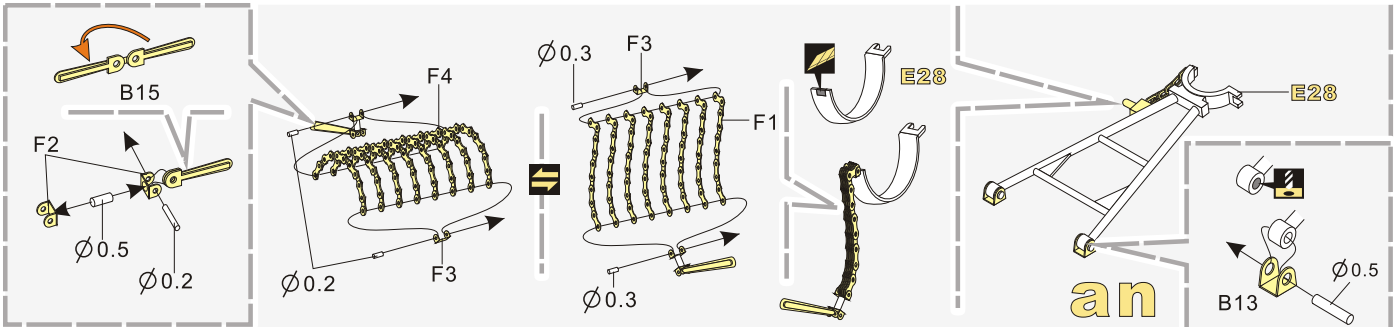
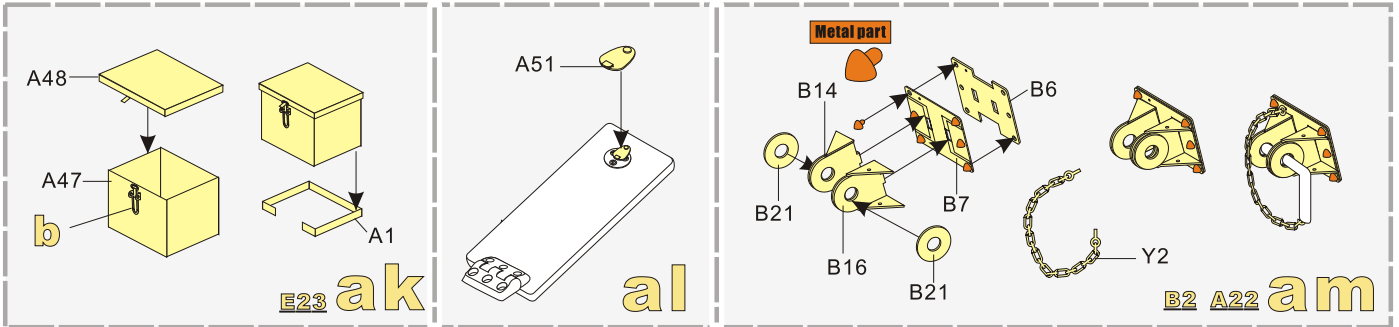
1/35 MILITARY MINIATURE VEHICLE UPGRADE SERIES PE35159



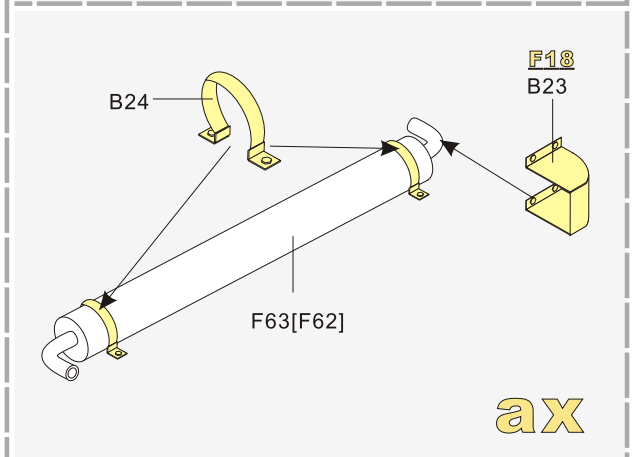
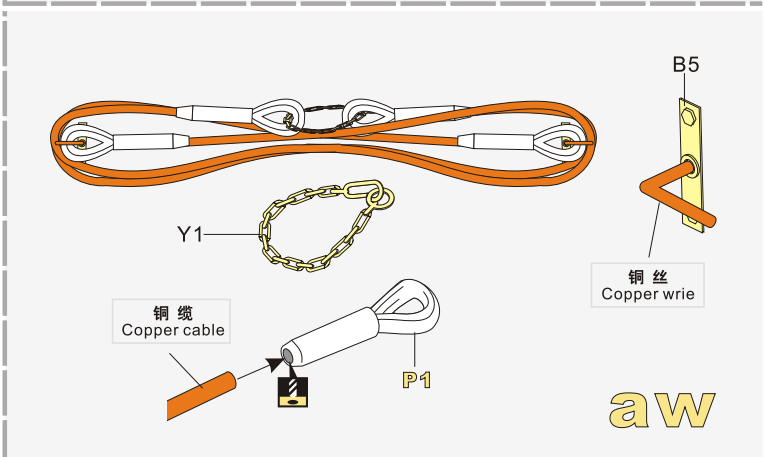
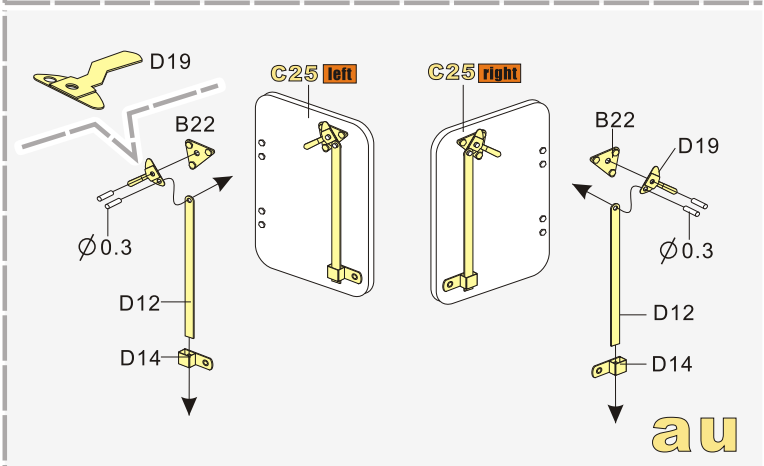
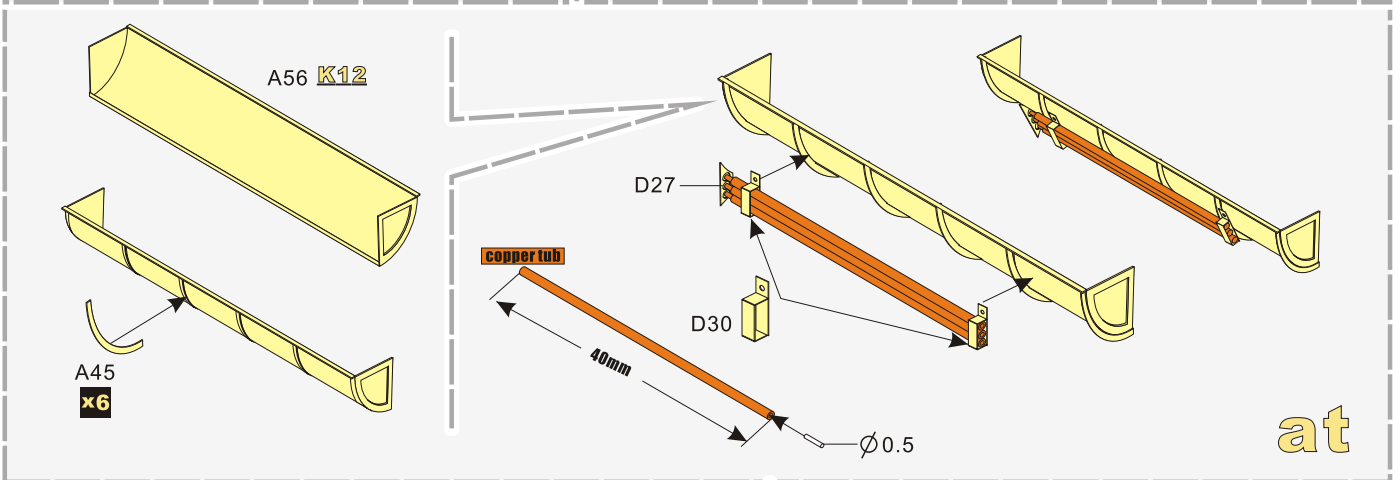
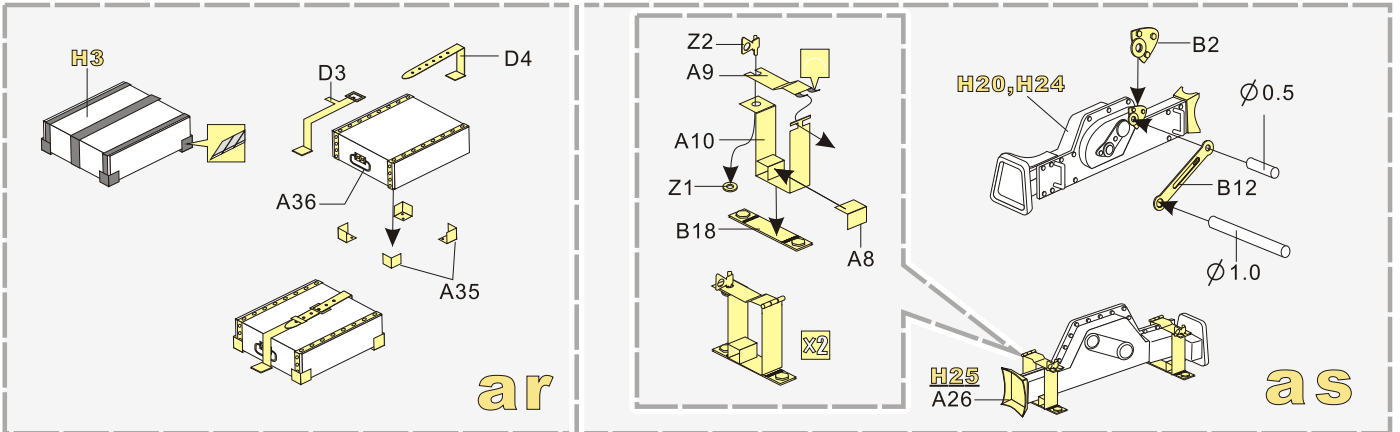
1/35 MILITARY MINIATURE VEHICLE UPGRADE SERIES PE35159



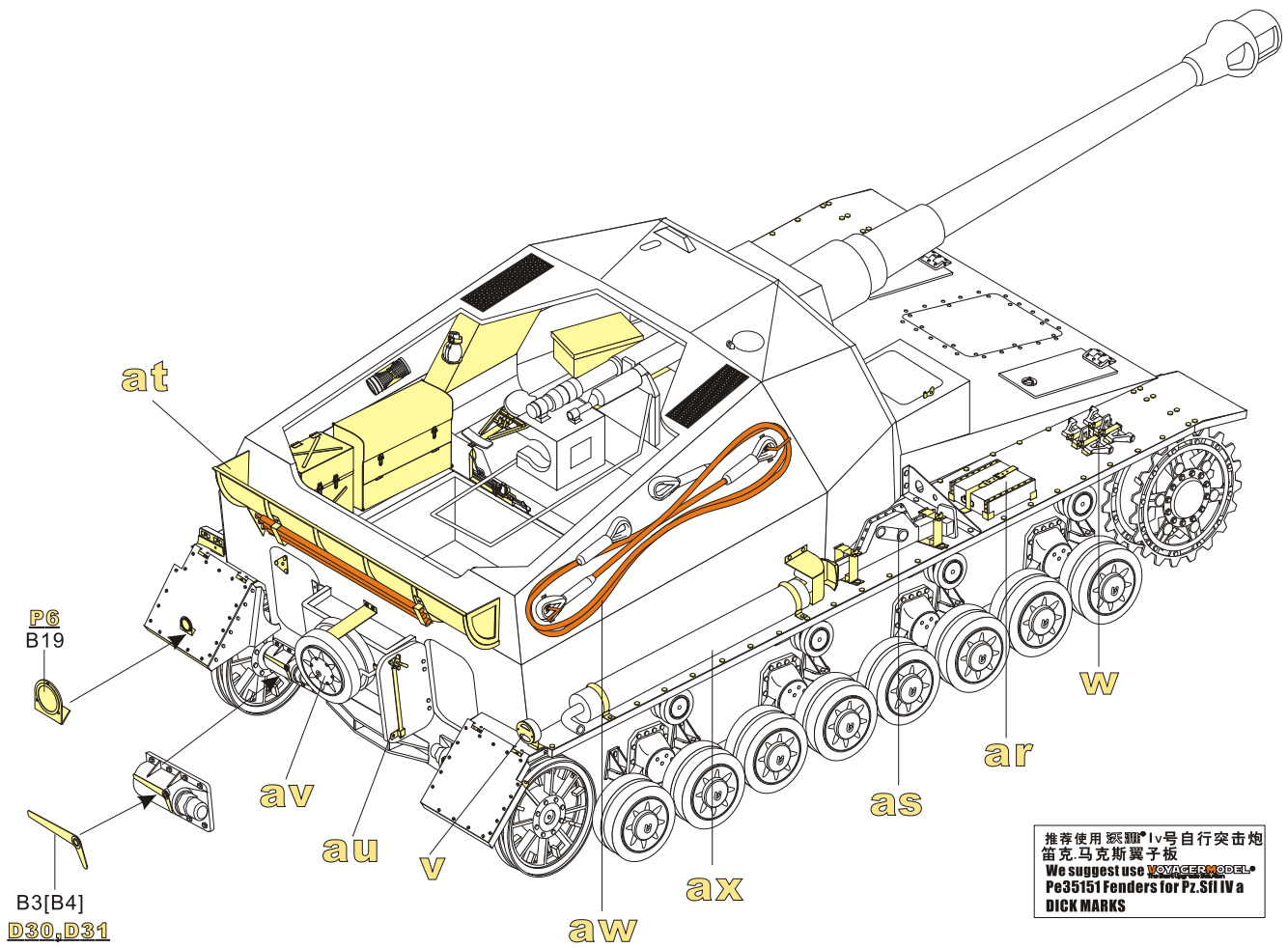
1/35 MILITARY MINIATURE VEHICLE UPGRADE SERIES PE35159



1/35 MILITARY MINIATURE VEHICLE UPGRADE SERIES PE35159



1/35 MILITARY MINIATURE VEHICLE UPGRADE SERIES PE35159



推荐使用 威雅<sup>®</sup> Iv 号自行突击炮  
坦克 马克斯翼子板  
We suggest use **VOYAGERMODEL**<sup>®</sup>  
**Pe35151 fenders for Pz.SII IV a**  
**DICK MARKS**

[Http://www.voyagermodel.com/productdetails.asp?itemid=PE35159](http://www.voyagermodel.com/productdetails.asp?itemid=PE35159)



**VOYAGER  
MODEL**



微博公众号  
Weibo official or code



官方淘宝  
The official taobao



微信公众号  
Wechat official or code



更多PE35159样品照片参考请扫一扫  
MORE PICTUER OF PE 35159  
REFERENCE SCAN HERE

