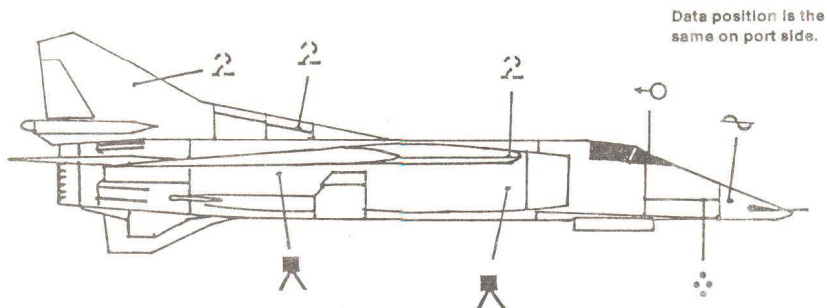


RUSSIAN NUMBERS (CURRENT) SOLID NUMBERS OR USE WITH COLORED OVERLAYS TO MAKE OUTLINES, STENCIL STYLE NUMBERS

These are the color combinations we have observed for the following airplanes:

Some suggested aircraft:	color combinations
MIL MI-24 HIND GUNSHIP	yellow STENCIL STYLE yellow on black
MIG-15	solid black
MIG-21	solid red blue on white
MIG-23 MF FLOGGER-B	black on white
MIG-25	red on white
MIG-27	solid yellow yellow on black
MIG-29 FULCRUM	blue on white
MIG-31	solid red
MIG-35	red on white
SUKHOI SU-21	red on black
SUKHOI SU-25 FROGFOOT	blue on white solid black yellow on black
SUKHOI SU-24	solid blue blue on white
SUKHOI SU-27	red on black

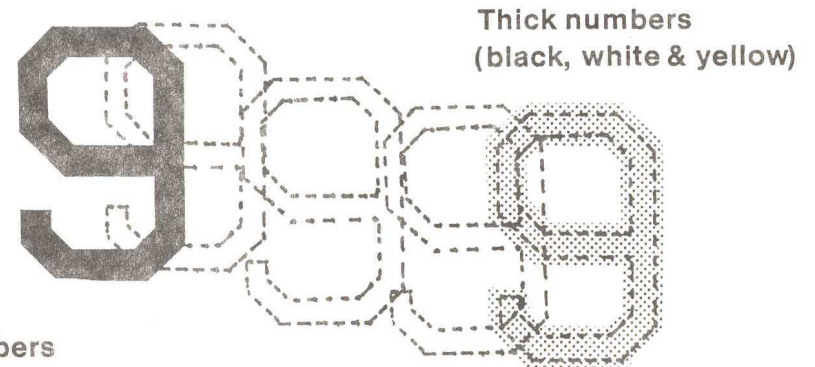


This sheet contains 1/72 scale Russian numbers in various colors and some data. We will be producing a Russian data sheet as soon as the information becomes available.

Use the thick numbers for aircraft requiring a solid color rather than outlined combination.

The thinner red, yellow, blue and black numbers can be applied over the appropriate base color numbers to achieve an outline, using the correct color combination for each aircraft.

EXAMPLE:



Thin numbers
(red, yellow, blue & black)

There are many publications available that depict Russian aircraft, these may be used as a guide for color combinations.

SUPER SCALE MODEL FINISHING PRODUCTS

SUPER KLEER - Clear liquid film former for small model windows.

SUPER FOIL ADHESIVE - Laminates household foil to models for a real metal finish.

SUPERLIQUITAPE - Bonds dissimilar materials, great for plastics, metal, wood or paper.

SUPERFILM - Restores old or cracked decals; use to make your own decals.

SUPER SET - Decal setting solution, softens decals and improves adhesion.

SUPER SOL - Decal setting solution for very irregular surfaces.

SUPER WELD - Fastest setting, strongest model adhesive available.

SUPER GLOSS - Gloss under coat or over coat for best decal adhesion.

SUPER FLAT - Realistic flat over coat for decals.

DIRECTIONS

SUPER SCALE DECALS are the thinnest, most flexible decals made. When used with the **SUPER SCALE** model finishing system they will produce the most realistic "painted on look" of museum quality. Follow the easy **SUPER SCALE** system to achieve perfect results every time.

THE SUPER SCALE DECAL SYSTEM

1. Be sure the surface to be decaled has a glossy, painted surface. (Decals do not adhere well to unpainted surfaces.)
2. Separate each decal from the sheet as needed. **DO NOT TRIM CLEAR FILM FROM DESIGN.** Submerge decal completely in water and remove. Allow decal adhesive to soften completely. (About one or two minutes.)
3. Before applying the decal thoroughly wet the area to be decaled with **SUPER SET**. This will help eliminate air entrapment and soften the decal to conform to the model surface.
4. With a pair of tweezers to hold the backing paper, slide the decal onto the model using a small artist's brush.
5. After the decal has "set" for about 5 or 10 minutes, re-wet the decal using **SUPER SOL**. This will further soften the decal and insure it will conform perfectly to any irregularities on the model surface.
6. Allow the decal to dry at least 12 hours. During this time some wrinkling of the decal may occur, this is normal. Do not touch the decal at this time.
7. After the decal is dry, carefully check for any small air bubbles. If found, prick with a needle and apply a drop of **SUPER SOL** to the decal and allow to dry.
8. After all air bubbles have been eliminated and decals are completely dry, wash entire model with water to remove the excess decal adhesive.
9. When the model is completely free of all excess decal adhesive and is completely dry, the model should be sprayed completely with a coat of **SUPER FLAT** or **SUPER GLOSS** depending on the finish desired.

DECAL STORAGE

Decal should be stored in a cool, dry place. Avoid sunlight, dampness and extremes of temperature and/or humidity.

Mfg. by
SUPER SCALE INTERNATIONAL, INC.
Carson City, Nevada