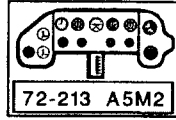
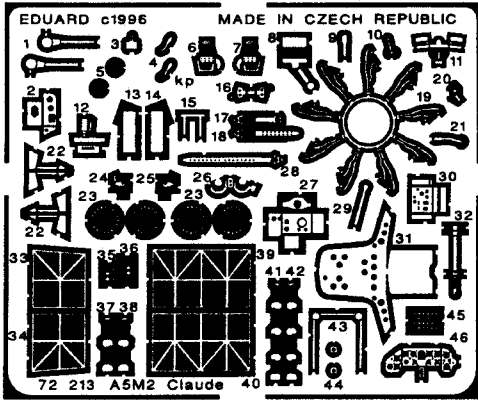









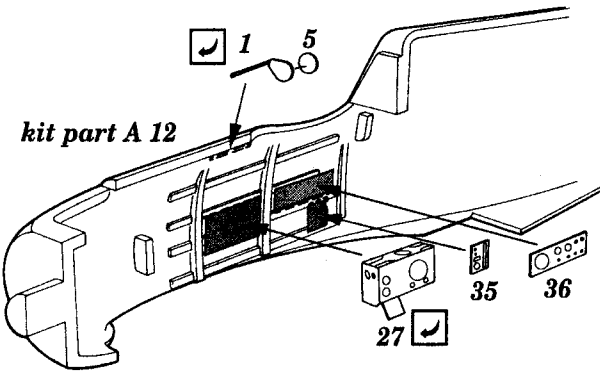
A5M2a CLAUDE

1/72 scale detail set for FUJIMI kit

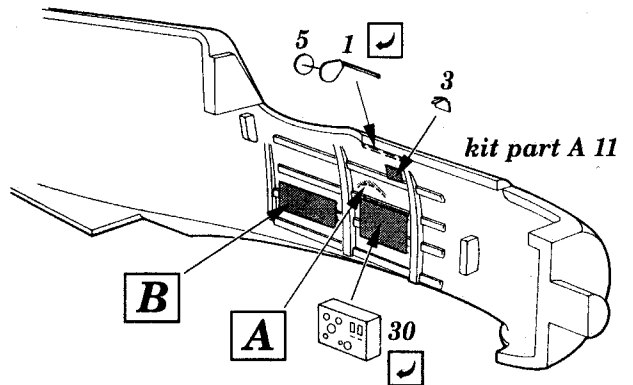


-  OPPOSITE SIDE
-  REMOVE
-  BEND
-  REPLACE
-  GRIND

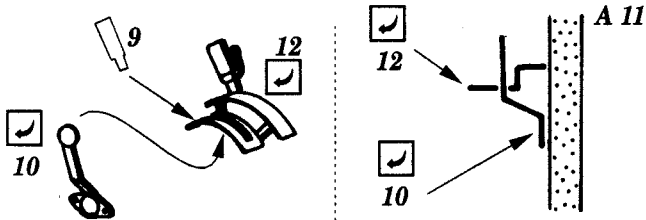
COCKPIT right side



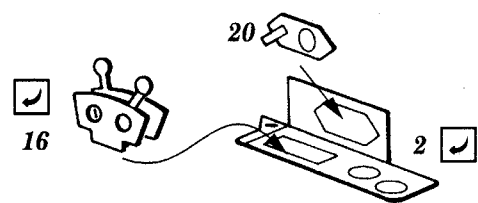
COCKPIT left side



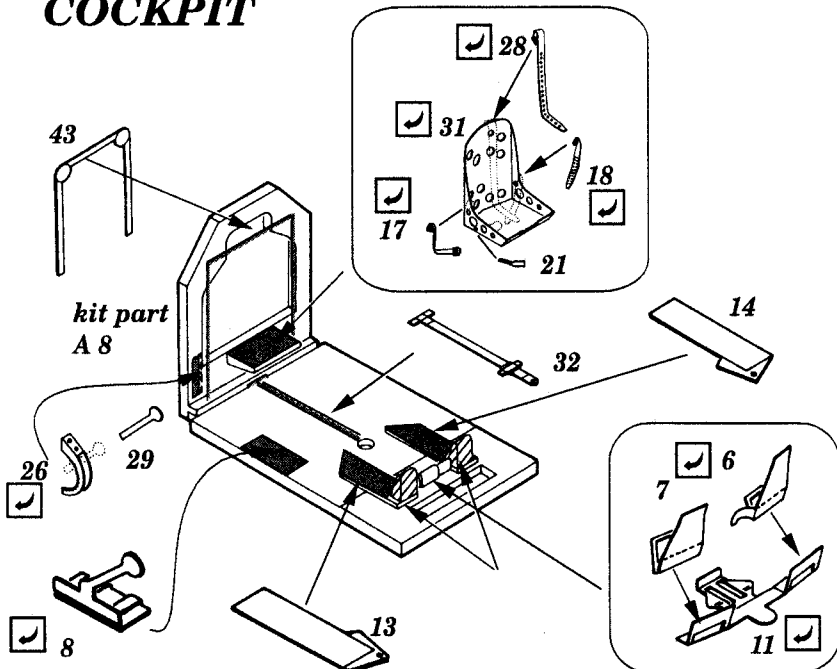
A CONTROL LEVERS



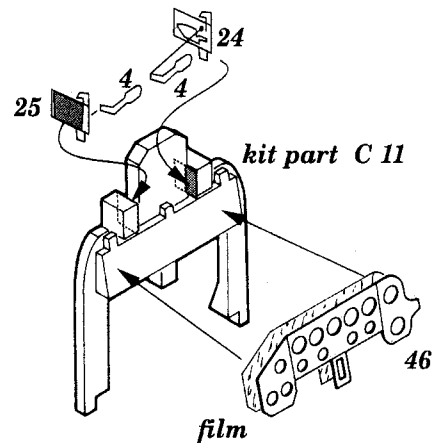
B CONTROL LEVERS



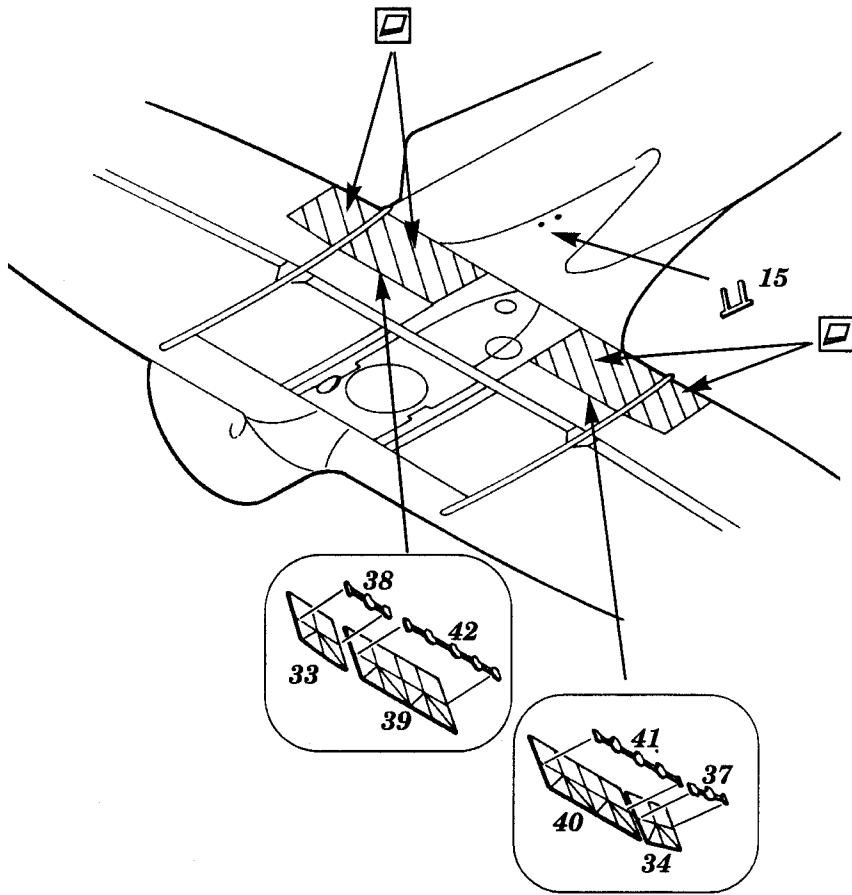
COCKPIT



INSTRUMENT PANEL



LANDING FLAPS



MAIN WHEEL

