

Specifications:
 Wingspan - 54m.
 Length - 35m.
 Height - 11.20m.
 Powerplants - 6x Daimler-Benz DB 9-609E piston engine
 Crew - 3
 Max speed - unknown
 Armament - 30,000kg bomb load

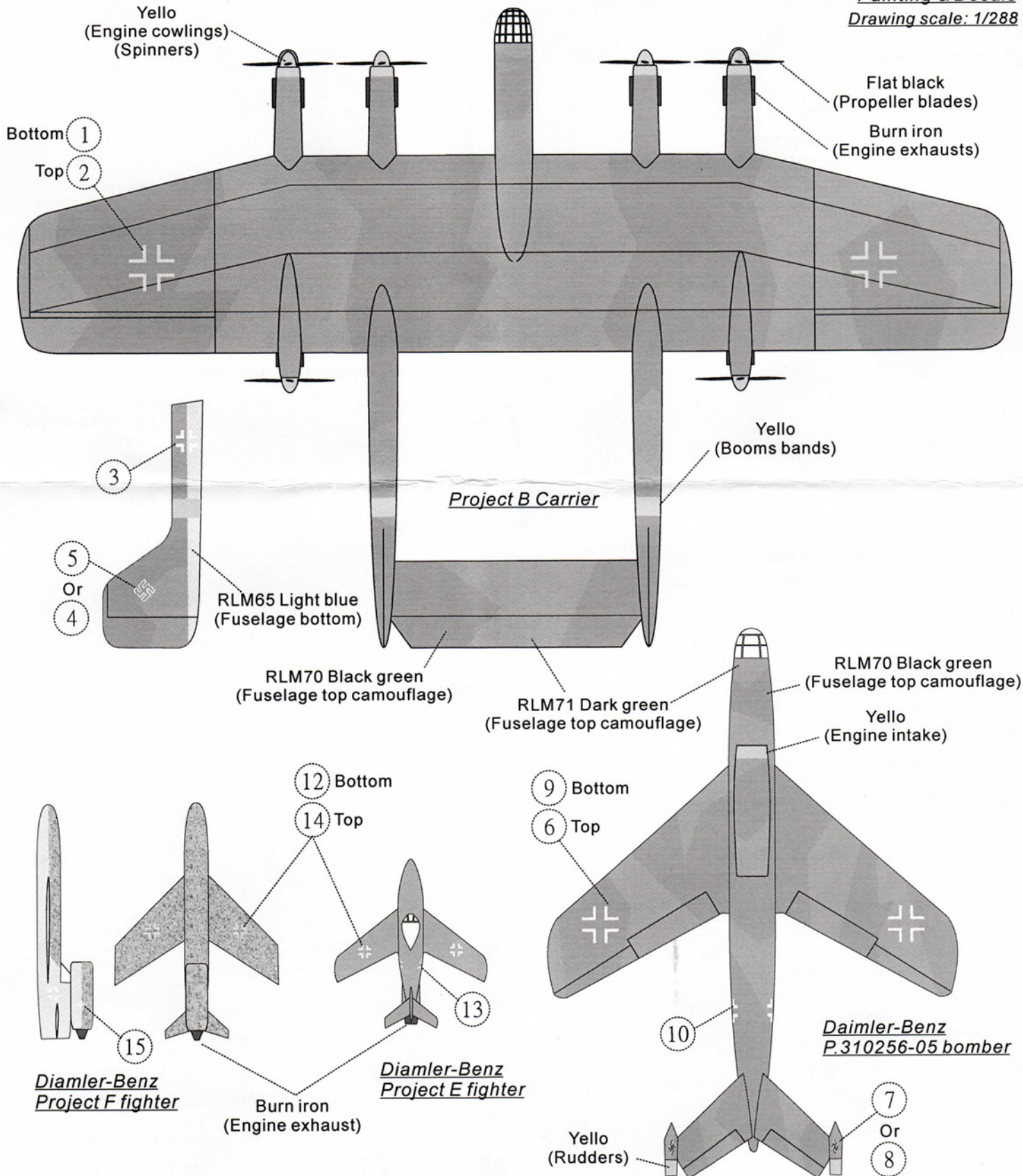
Daimler-Benz Project B

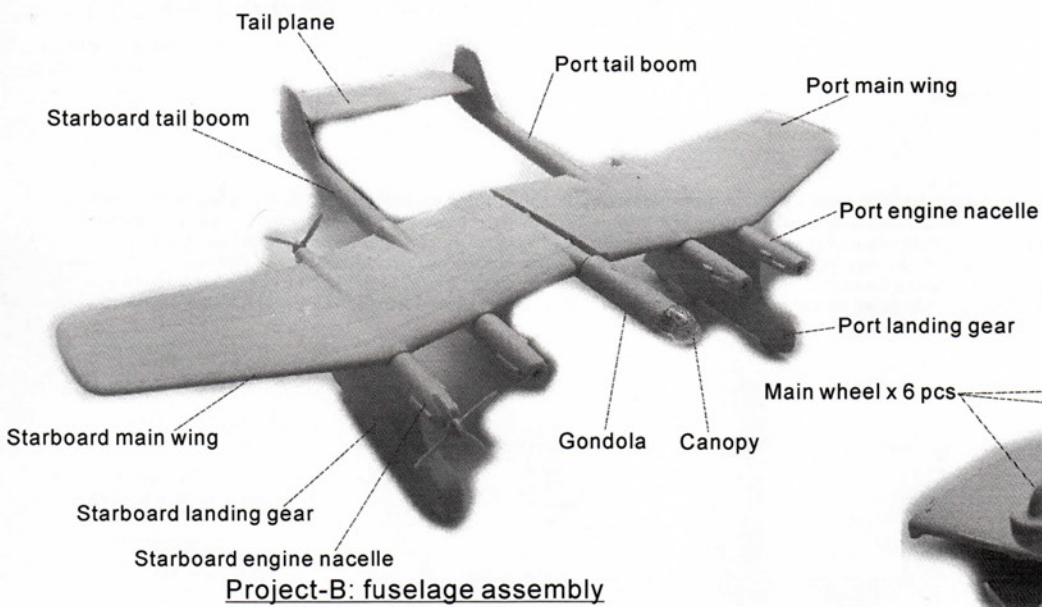
1/144 scale resin model kit
 #AA-4001

In 1943, instructed from Reichsmarschall Goring for the design and produce very long-range bombers which would be capable of attacking targets in the U.S.A. and Soviet industrial plants far beyond the Germany, Daimler-Benz combined with Focke-Wulf to form a joint study group for the development of ultra long-range aircraft. These strikes were to be carried out in non-stop flight and without recourse to aerial refuelling. The two designs, simply referred to as Project-A and -B were to have been built in 1944. The Project-A was a carrier aircraft designed to transport a jet bomber. This combination was to have been capable of delivering a 30,000kg bomb load over distance of 17,000km. The project-B was an improved version of Project-A, that not only able to carry a jet bomber, but also able to carry five manned explosive delivery systems to distant target areas. Those destructive effect was far greater than that of conventional bombs. The project was not went behind the drawing board.

Painting & Decals

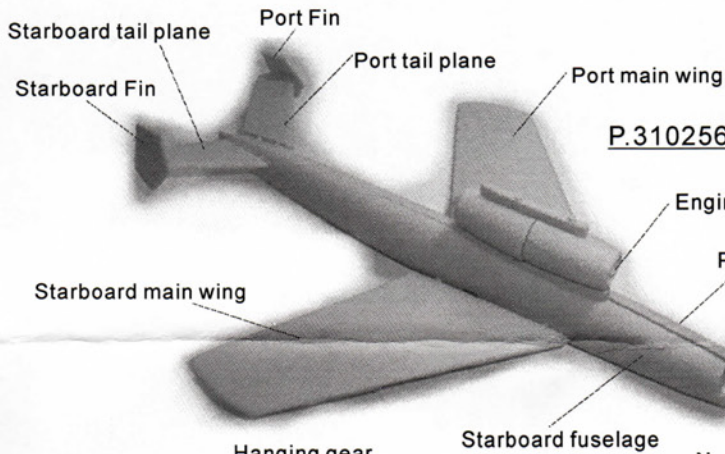
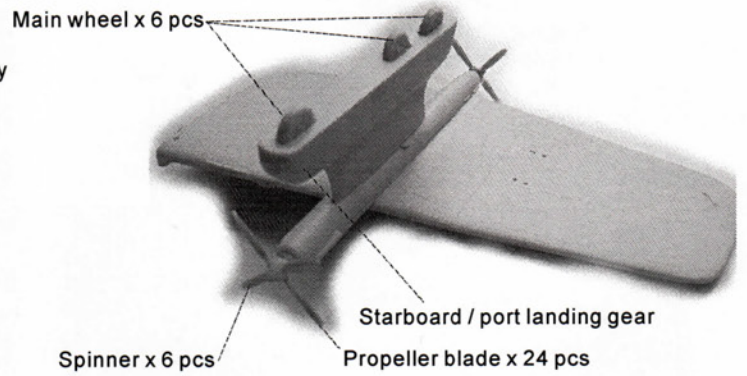
Drawing scale: 1/288



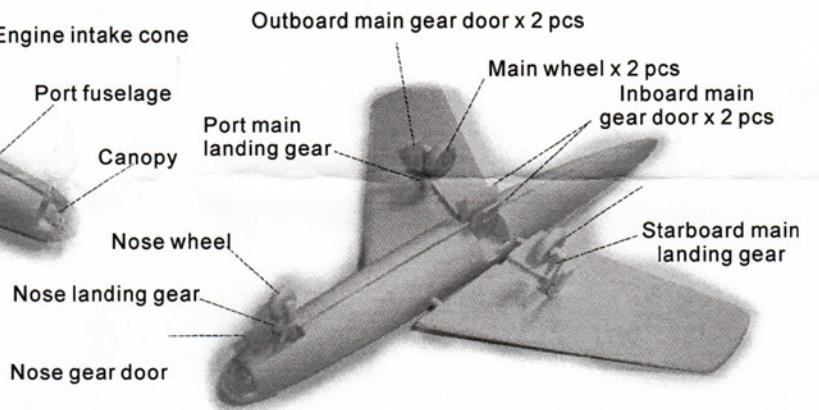


Project-B: fuselage assembly

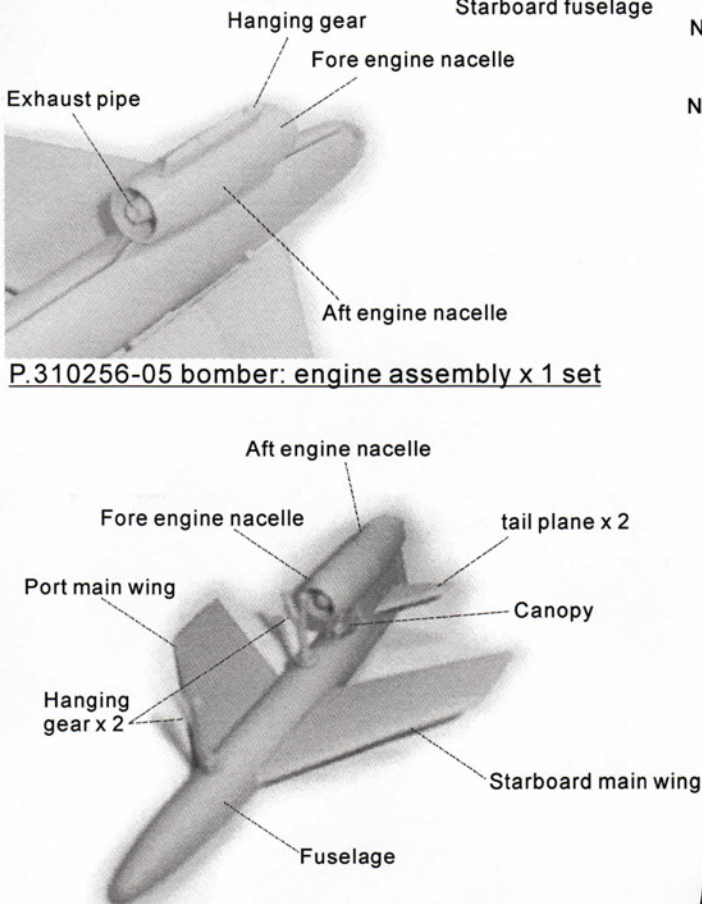
Project-B: wing assembly x 2 sets



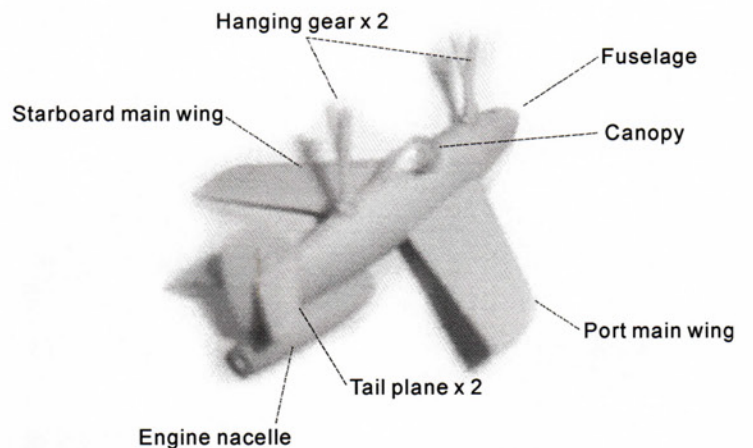
P.310256 bomber: fuselage assembly



P.310256-05 bomber: engine assembly x 1 set



Project-F (outboard wing) assembly x 2 sets



Project-E (central wing) assembly x 3 sets