



VERLINDEN PRODUCTIONS
Ondernemersstraat, 4
B-2500 Lier/BELGIUM

CE **MADE IN BELGIUM**

AGE 14 AND UP/ ET PLUS

MESSERSCHMITT BF-109 E Update Set

**1:72
775**

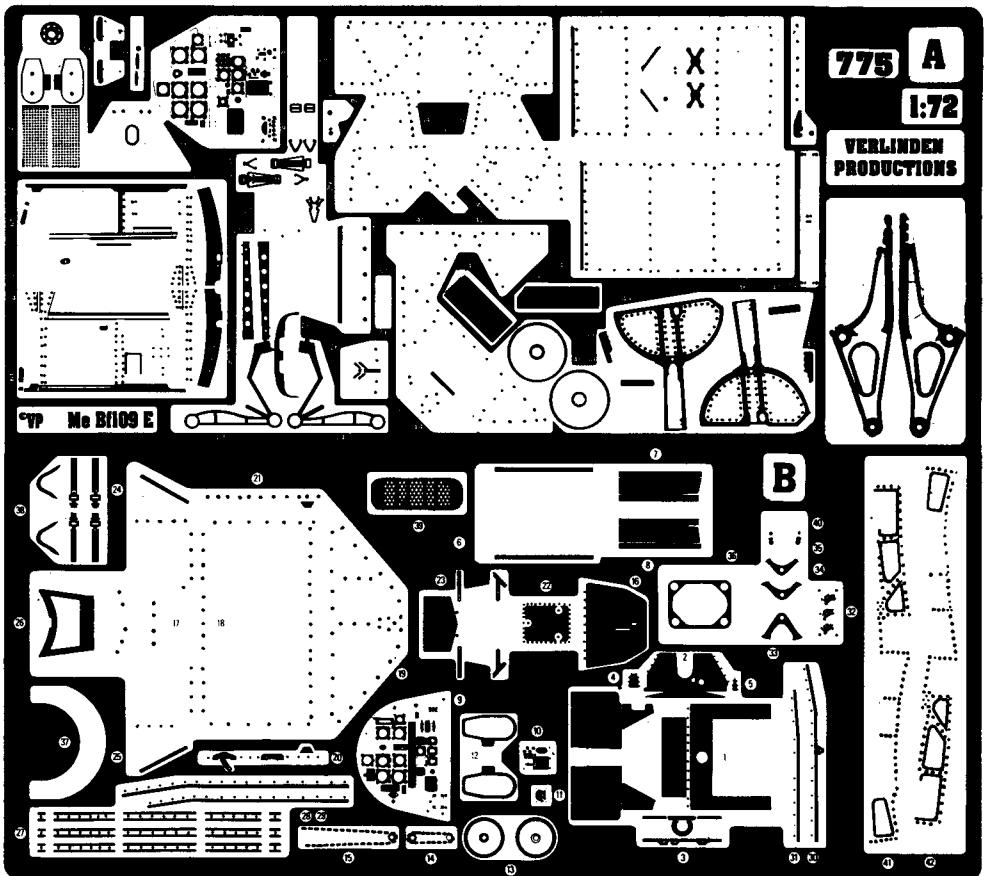
Recommended kit : HASEGAWA Bf-109 E3 (kit AP8) & E4/7 (kit AP9)

IMPORTANT NOTE

Because the enclosed photo-etch sheet is a reduced copy of the previous VP Me Bf-109 update sets (1/48 & 1/32) some parts may turn out too small to handle or glue. Some parts of either section on the photo-etch sheet (A or B) are represented on the resin parts and need not of be used (as indicated).

It is recommended to use those parts which suit your modeling skills. Use Superglue or Cyanoacrylate to glue the photo-etched parts and resin accessories.

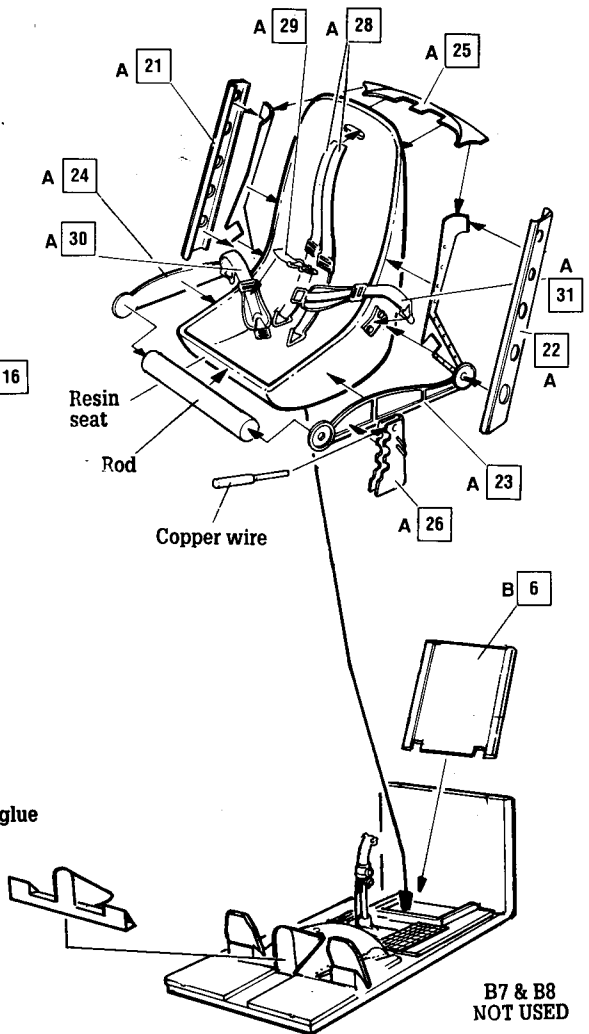
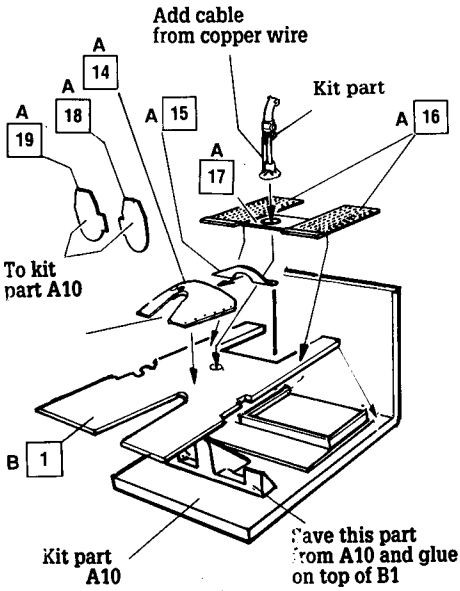
For painting of interior & gear follow Hasegawa's kit instructions. The engine is painted black overall with gunmetal gun tubes on top. Engine compartment interior is painted gray/green.



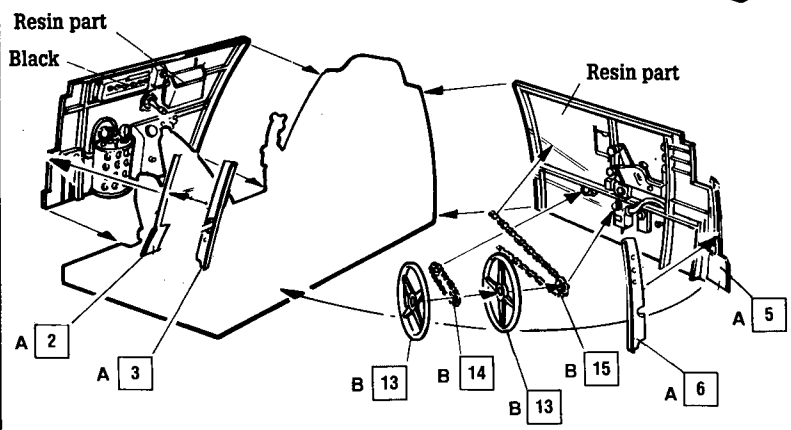


ALL TYPES

NOTE
 Rudder pedals A18 & A19 can be replaced with B12
 Check photos for correct rudder pedals
 Paint seat RLM gray
 with light buff belts.



IMPORTANT NOTE
 Part A17 can be replaced by B3
 Part A15 can be replaced by B2



NOTE
 PARTS A1 & A4
 ARE NOT USED

2

Resin cannon outlets
or rod with B38

Rod

Resin engine

Inside etched
part 37

Cut bulkhead
from plasticard
(not included)

Rod

RUDDER CONTROL
(Left & Right)

Copper wire

From Frame A
(left & right)

Copper wire

A
61

Copper wire

B
39

Paint engine black
overall

TROPICAL FILTER
LEFT FUSELAGE

Copper wire

Resin part
(aluminum)

A 55

A 54

WHEEL WELL
INTERIOR

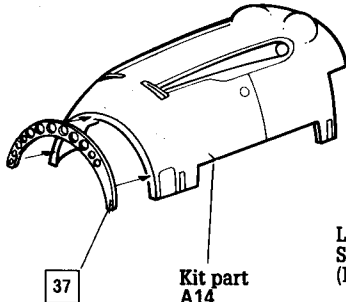
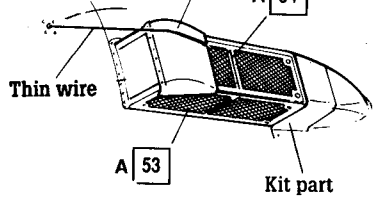
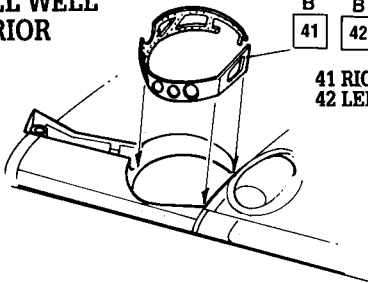
B 41 B 42

41 RIGHT WING
42 LEFT WING

Thin wire

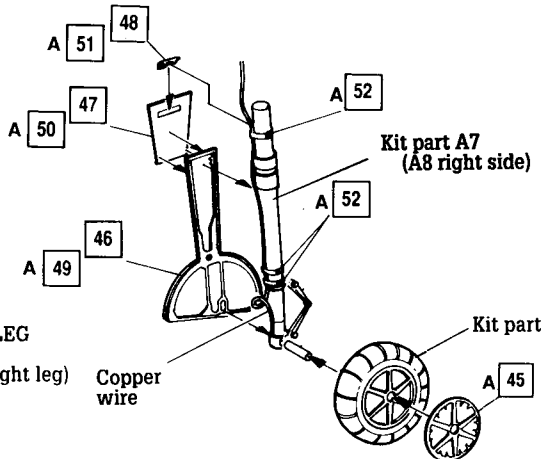
A 53

Kit part



Kit part
A14

LEFT MAIN LEG
SHOWN
(Repeat for right leg)

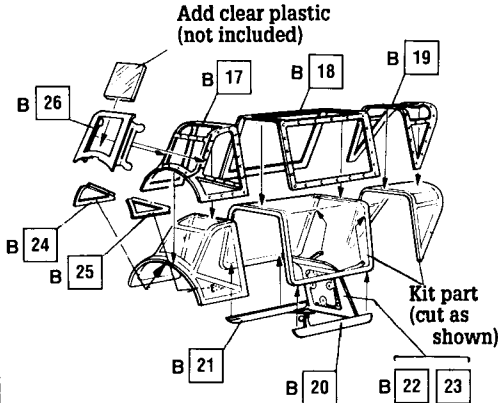


Kit part A7
(A8 right side)

Copper wire

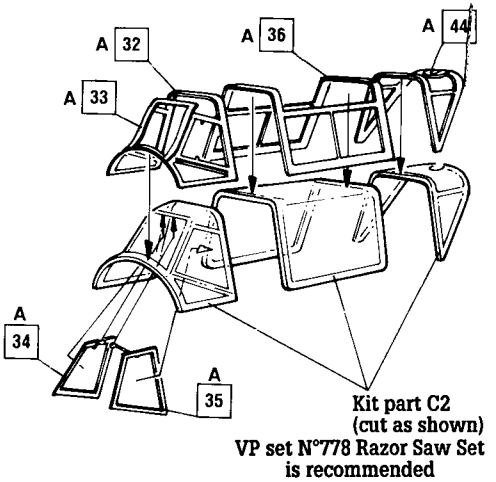
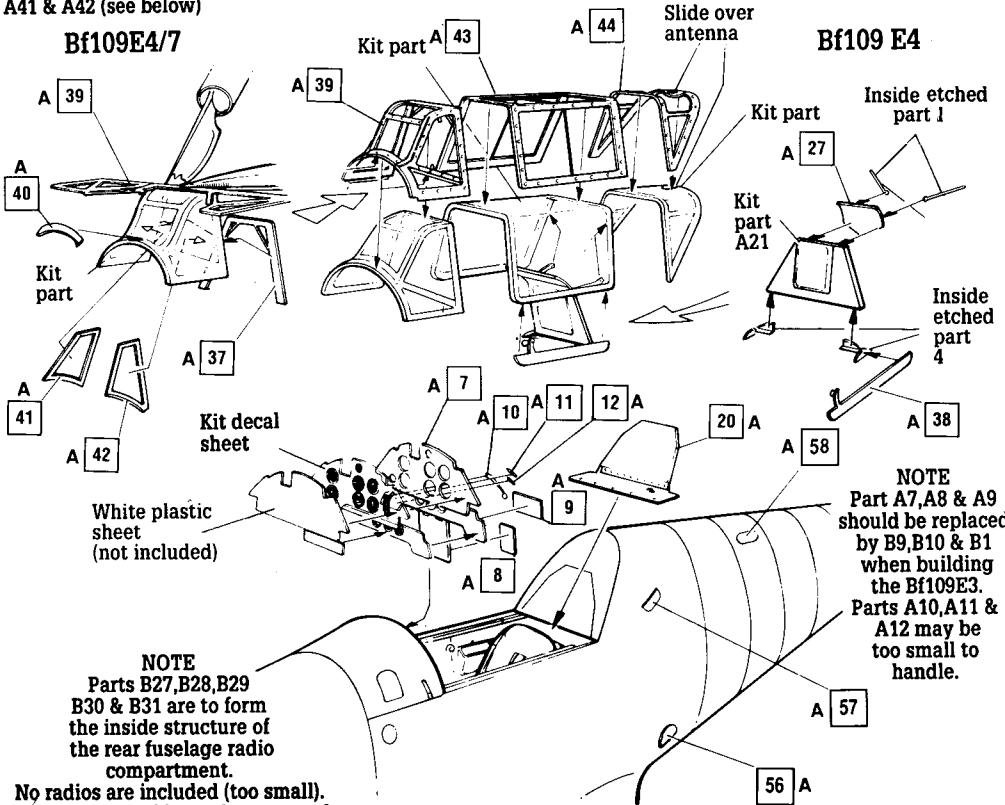
Kit part

A 45

3**Bf109 E4/7****ADDITIONAL ARMOR
VERSION****NOTE**

Parts B17,B18,B19 can be replaced by
A43, A39, A41, A42 & A44.

Parts B24, B25 can be replaced by
A41 & A42 (see below)

Bf109 E3**Bf109E4/7****Bf109 E4**

NOTE
Part A7,A8 & A9
should be replaced
by B9,B10 & B1
when building
the Bf109E3.
Parts A10,A11 &
A12 may be
too small to
handle.

NOTE
Parts B27,B28,B29
B30 & B31 are to form
the inside structure of
the rear fuselage radio
compartment.
No radios are included (too small).
Parts B32 thru B36 are also not used.