

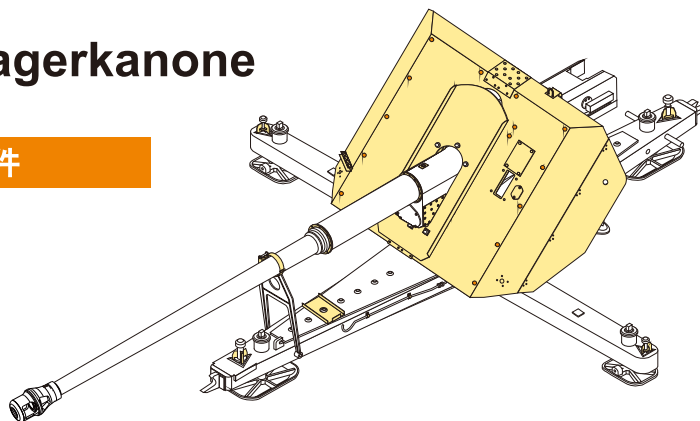
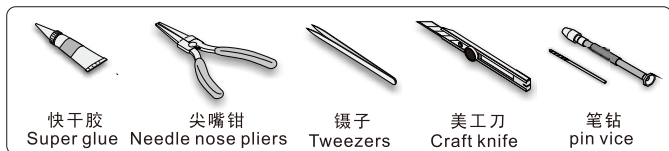
1/35 MILITARY MINIATURE VEHICLE UPGRADE SERIES PE35439

WWII German 88cm Panzerjagerkanone PaK43

二战德军88mm PaK 43 L/71反坦克炮改造件

[For TRUMPETER 02308]

推荐使用工具 RECOMMENDED TOOLS

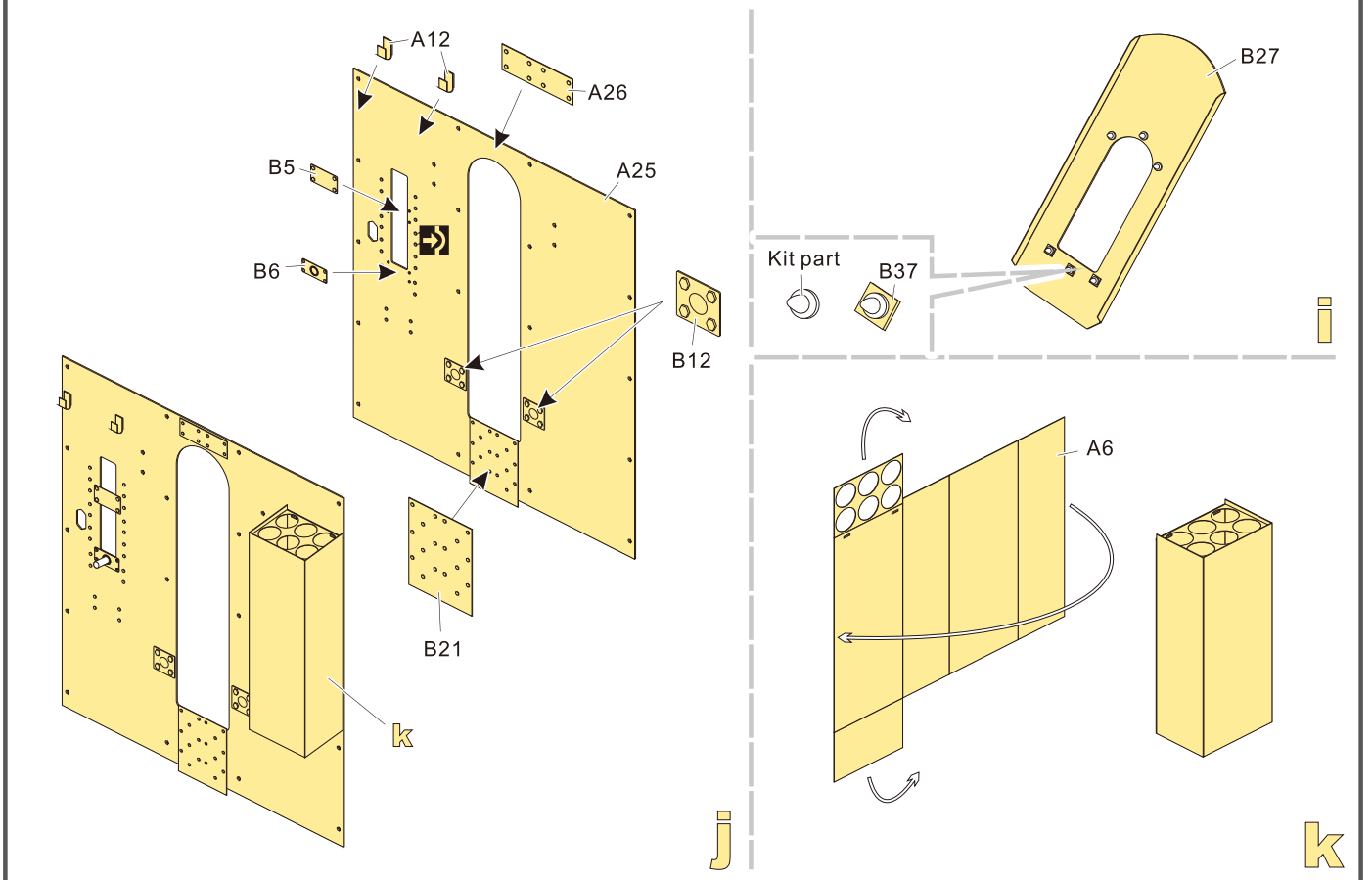
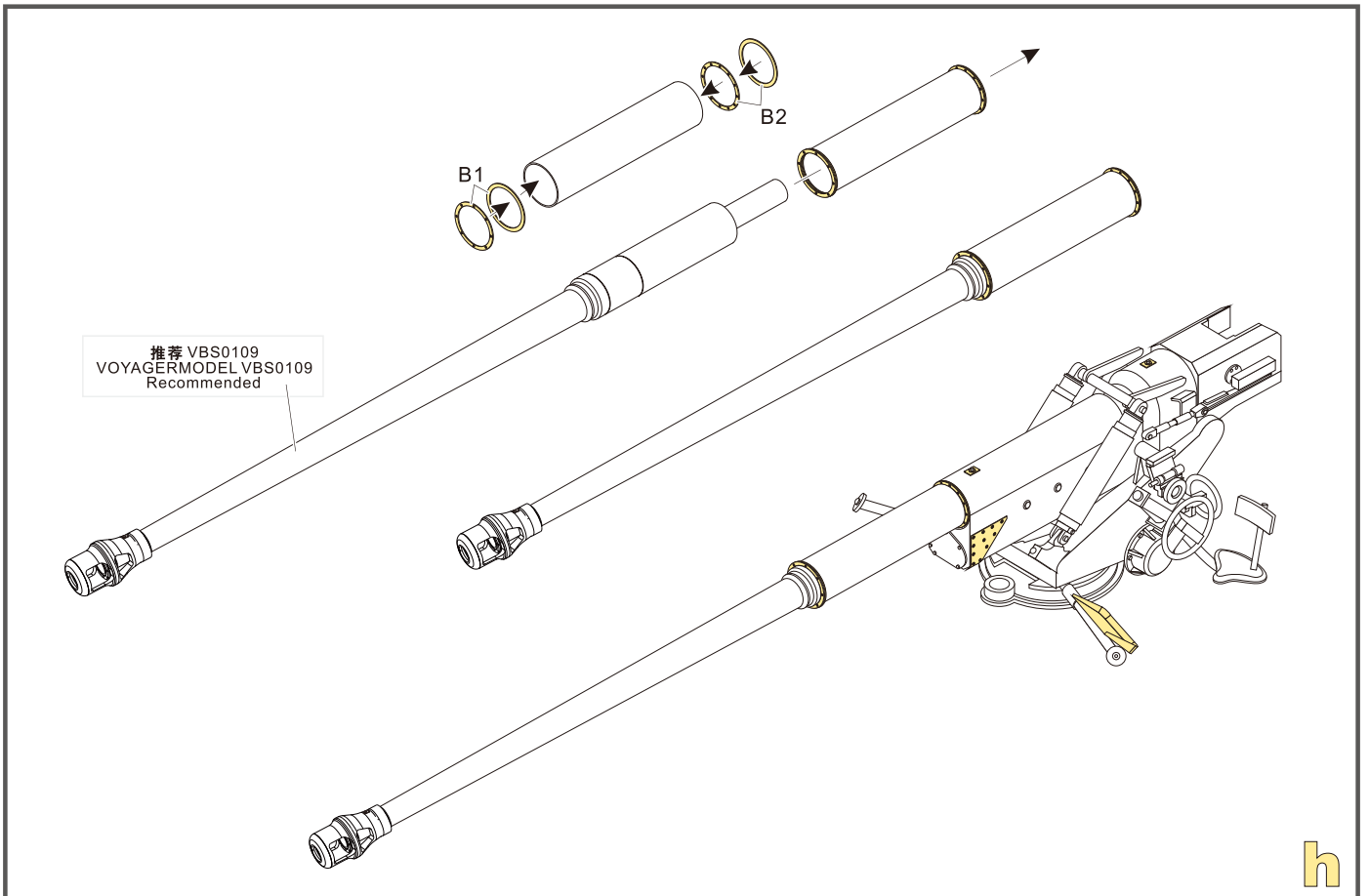


- 安装
install
- 折叠
bend
- A1**
改造件零件编号
PE/resin part number
- B12**
原零件编号
kit part number
- C22**
被替换的原零件编号
replaced kit part number
- 另一侧相同制作
repeat on opposite side
- 切除
remove
- 打磨
grind off
- 弧度卷曲
radial bending
- 制作若干组
multiple assembly
- 选择安装
alternative
- 钻孔
drill
- 用胶棒制作
make from plastic rod

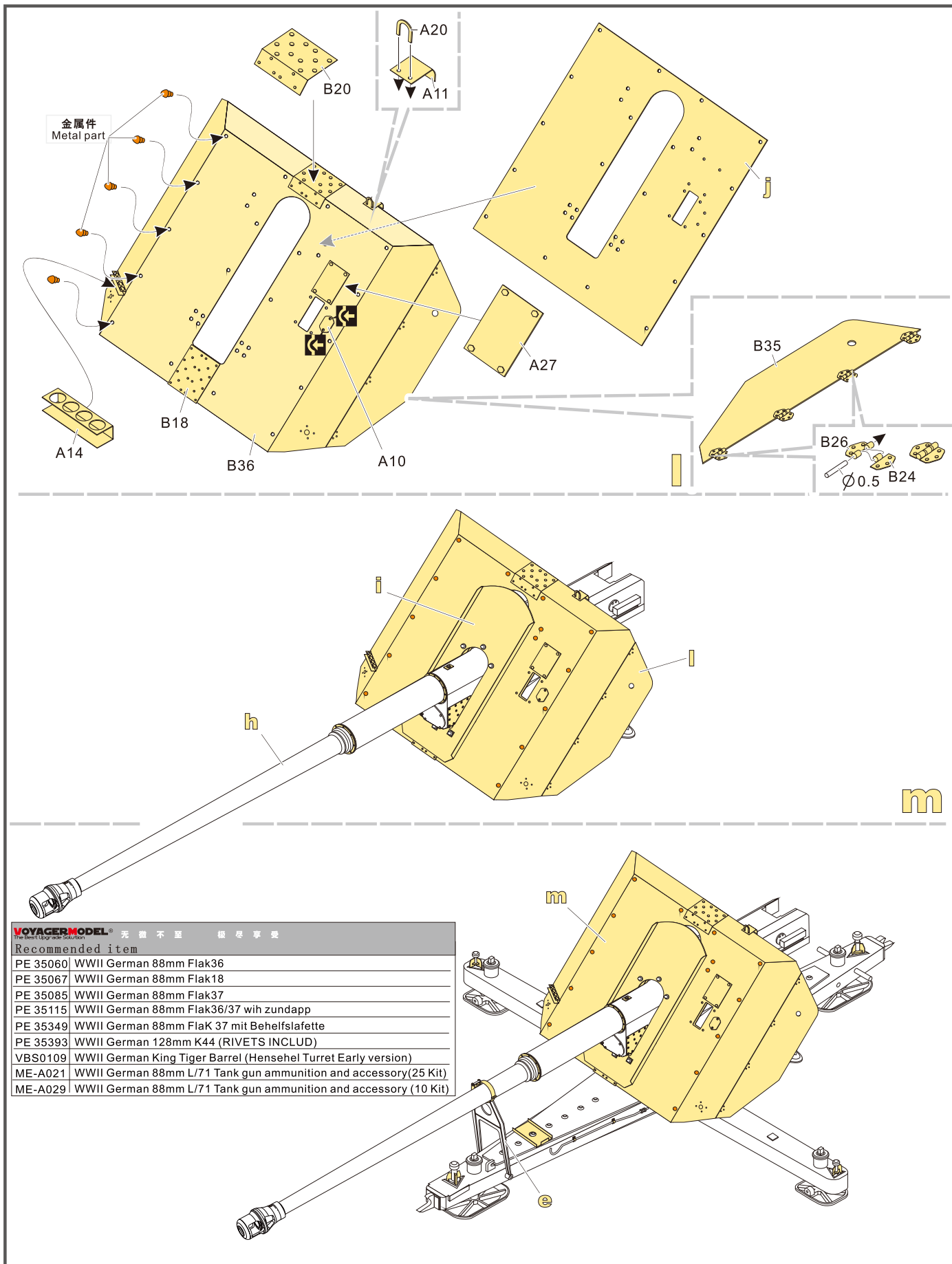
用尖端在凹槽处冲压
use penpoint to press on the dent

蚀刻片零件内侧面向上
Put the part upside down
用笔尖在凹槽处刺
Use penpoint to press on the dent

1/35 MILITARY MINIATURE VEHICLE UPGRADE SERIES PE35439



1/35 MILITARY MINIATURE VEHICLE UPGRADE SERIES PE35439



VOYAGERMODEL® 无微不至 极尽享受
The Best Upgrade Solution

Recommended item

PE 35060	WWII German 88mm Flak36
PE 35067	WWII German 88mm Flak18
PE 35085	WWII German 88mm Flak37
PE 35115	WWII German 88mm Flak36/37 wih zundapp
PE 35349	WWII German 88mm Flak 37 mit Behelfslafette
PE 35393	WWII German 128mm K44 (RIVETS INCLUD)
VBS0109	WWII German King Tiger Barrel (Hensehel Turret Early version)
ME-A021	WWII German 88mm L/71 Tank gun ammunition and accessory (25 Kit)
ME-A029	WWII German 88mm L/71 Tank gun ammunition and accessory (10 Kit)

1/35 MILITARY MINIATURE VEHICLE UPGRADE SERIES PE35439

