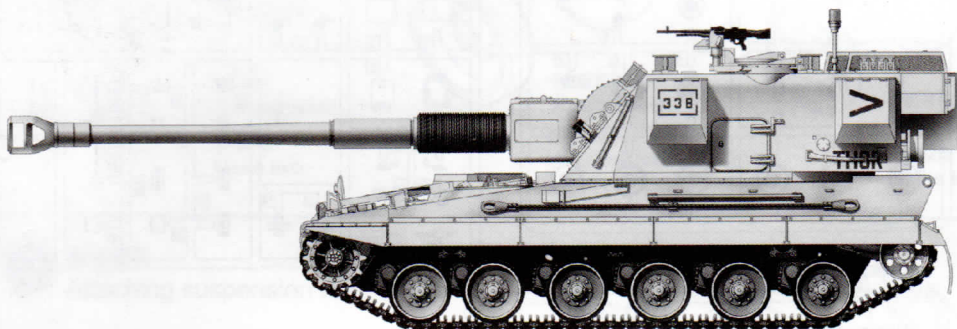


1:72 SCALE

ITEM NO.07221

British AS-90 SPG

英国AS-90自行火炮



READ BEFORE ASSEMBLY

- Study and understand these instructions thoroughly before beginning assembly. Make sure all parts are included by comparing them to those shown on page 2 of these instructions.
- Remove parts from sprues as needed, and trim excess with a hobby knife. Be careful not to lose small parts.
- Remove photo-etch parts from sprue as needed using a hobby knife or photo etch cutter.
- Apply cement to photo etch parts as shown on instructions. Applying too much cement will restrict the operation of these movable parts. Apply cement carefully! Removed photo etch parts can have sharp edges. Take care when handling these to avoid injury.
- Apply decals to necessary parts prior to assembly.
- Additional tools recommended(not included):Sprue cutter, Long nose pliers, hobby knife, file, tweezers, pin vise, scissors, cement, sandpaper, soft cloth, glue and paint.
- Keep all parts out of reach of children, as they pose a choking hazard. Discard all unnecessary bags and sprues when model is completed to avoid accidental injury.

装配之前仔细阅读

- 小心用模型锉刀锉平所有零件表面的注射浇口。
- 小心用刀片切下蚀刻片零件，不要遗失小零件。
- 用强力快干胶水粘合蚀刻片零件和金属轴。过量的快干胶水使用可能导致可动零件会粘住，小心涂胶。
- 取蚀刻片时应特别注意安全，防止利刃划伤手指。
- 某些零件表面需贴水上贴纸，请选择在装配的同时进行。
- 推荐模型工具(自备)：胶水，水口剪刀，长咀钳，刀片，锉刀，镊子钳，钻，剪刀，瞬间快干胶。
- 软布同砂纸同时也应该是必备工具。
- 请使用塑料胶水和油漆，模型内不含。
- 谨防小孩吸吮塑料零件，或者将塑料袋套在头上，制作时应将套材远离小孩接触。



weight
配重



file / sand
锉平



option
选择



cyanocrylate glue
使用强力胶



cut / remove
切除



no cement
不涂胶水



decal
贴纸



bend
弯曲



make hole
钻孔

DECAL APPLICATION

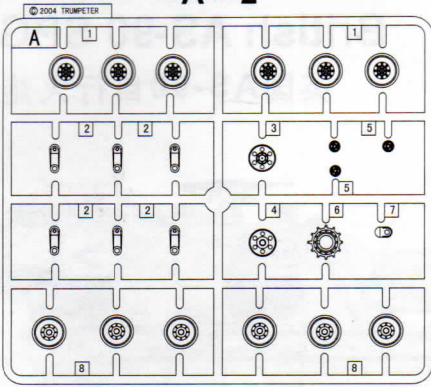
1. Cut off decal from sheet.
2. Dip the decal in tepid water 40°C for about 10 sec. and place on a clean cloth.
3. Hold the backing sheet edge and slide decal onto the model.
4. Move decal into position by wetting decal with finger.
5. Press decal gently down with a soft cloth until excess water and air bubbles are gone.

水贴纸的使用:

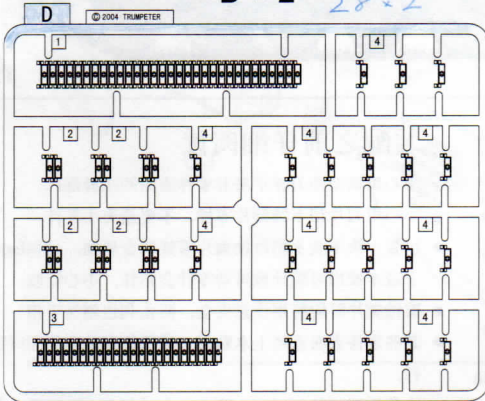
1. 从水贴纸上剪下印花;
2. 将印花放入温水中浸10秒, 然后放在干净布上。
3. 拿着印花纸板将印花移到模型上;
4. 手指蘸水将印花移到适当的位置;
5. 用软布轻压印花直至水干, 气泡消失。

部品图 Parts

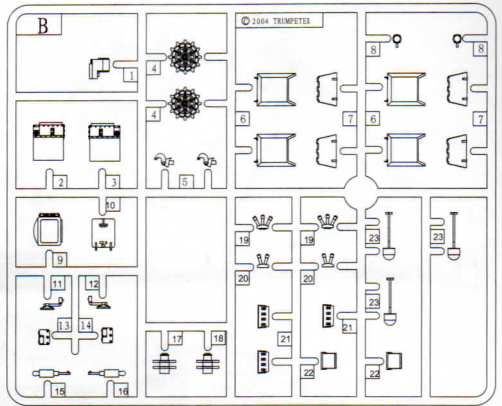
A × 2 25 × 2



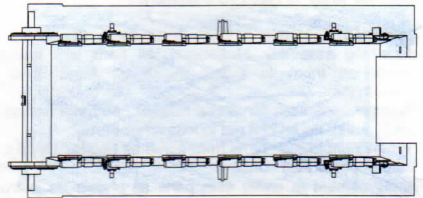
D × 2 28 × 2



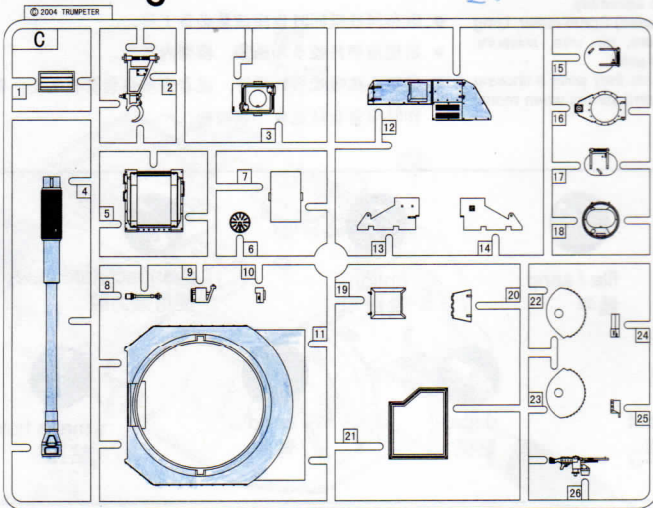
B 39



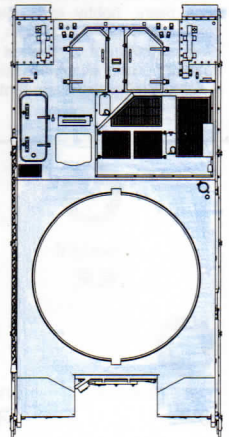
底盘
Lower hull



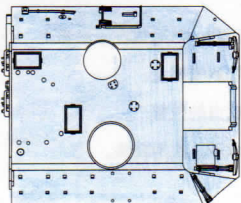
C 26



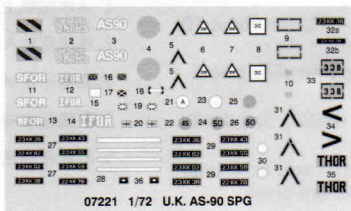
车面
Upper hull



炮塔
Turret



水贴纸
Decal



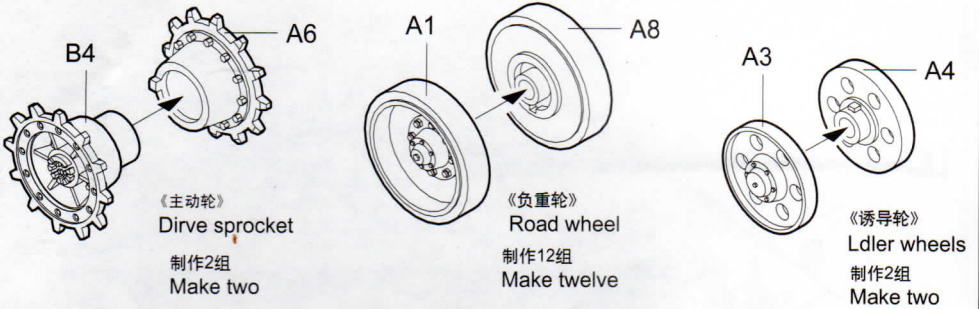
棉线 $\phi 0.5 \times 150\text{mm}$
Rope $\phi 0.5 \times 150\text{mm}$

4

1

车轮组装

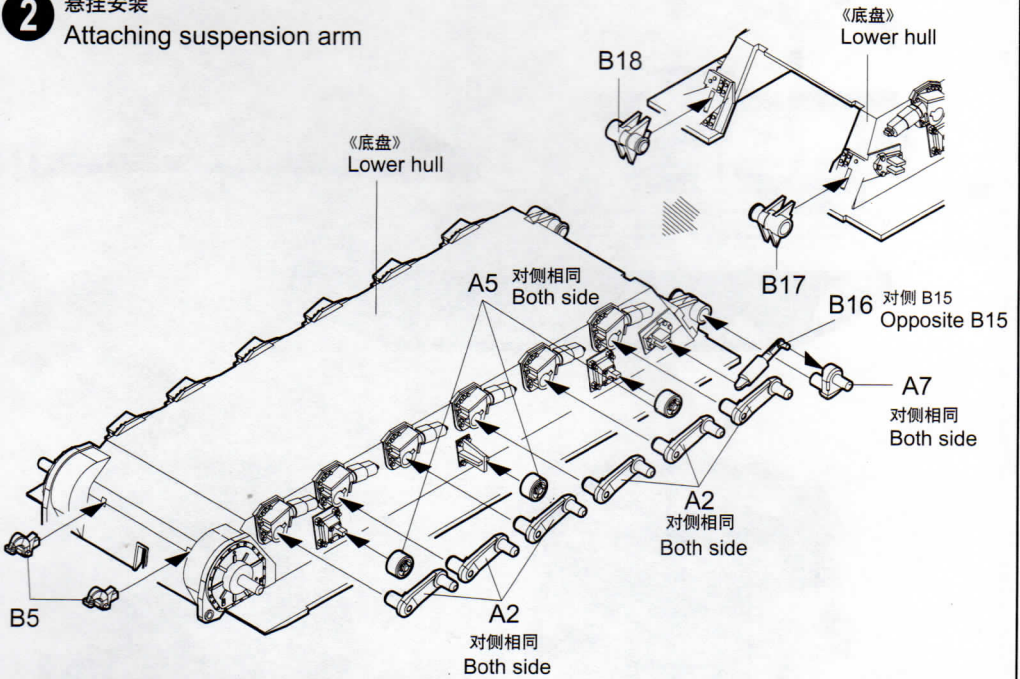
Wheels assembly



2

悬挂安装

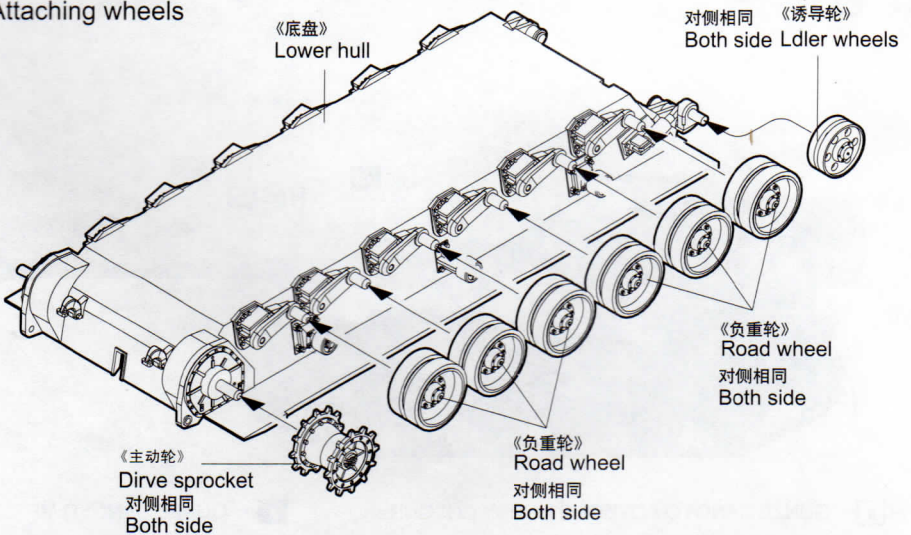
Attaching suspension arm



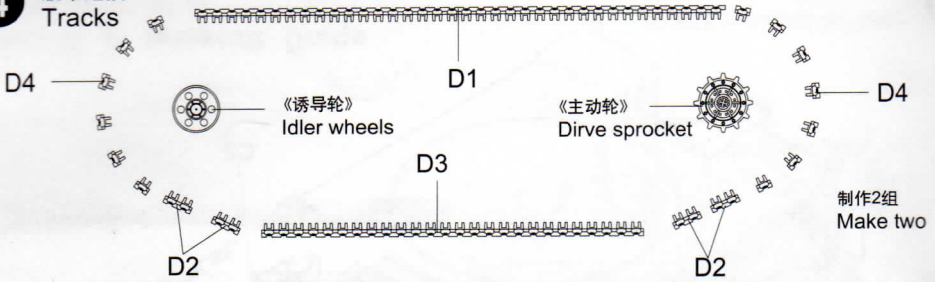
3

车轮安装

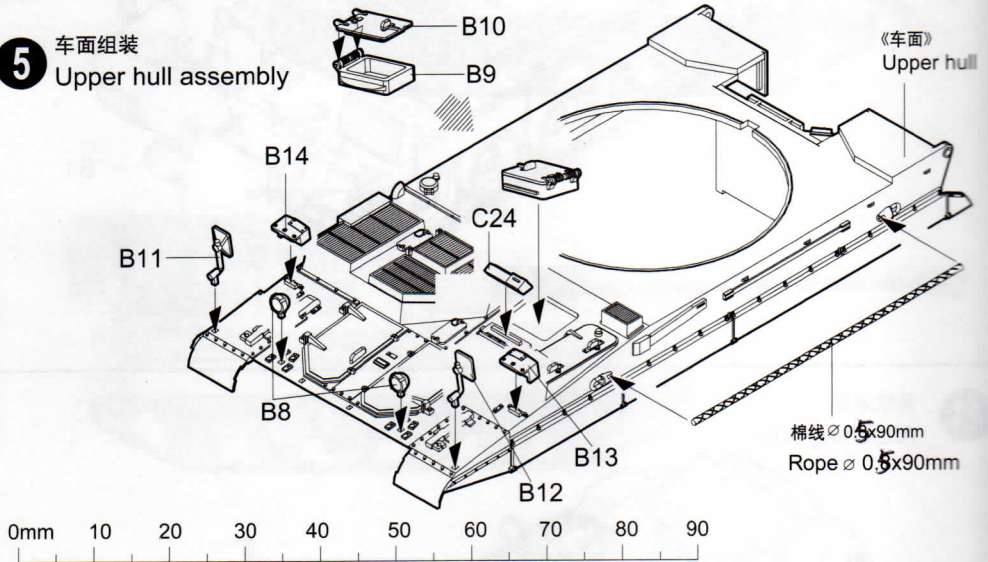
Attaching wheels



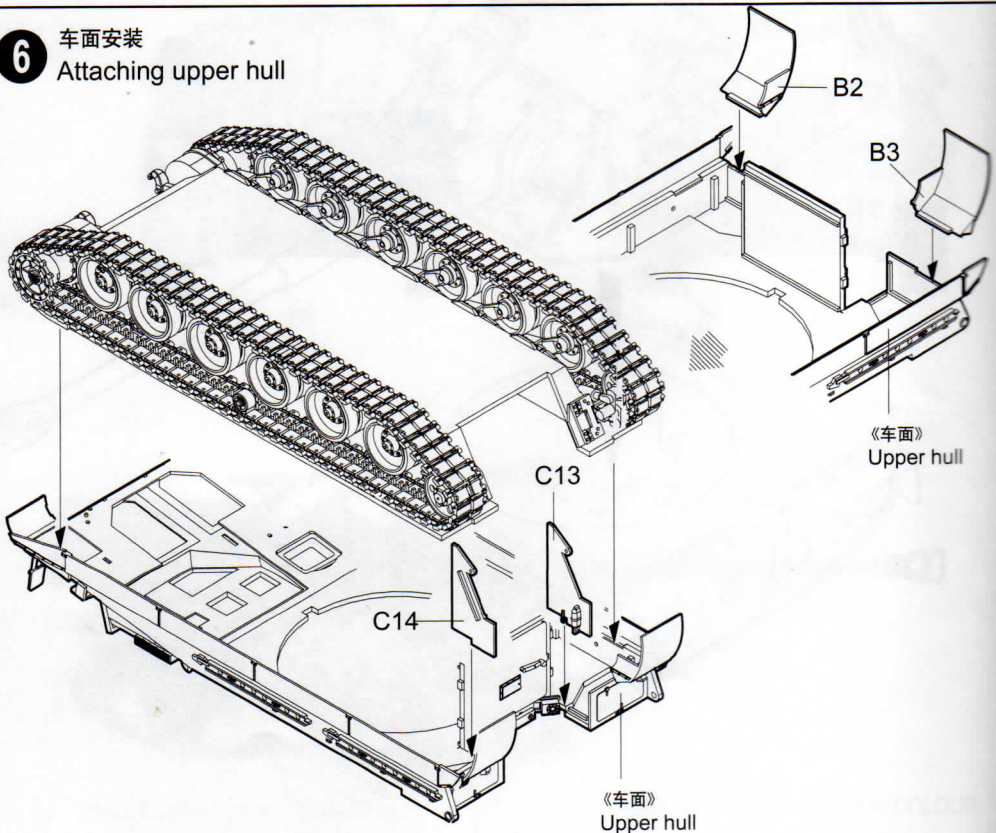
4 履带连接
Tracks



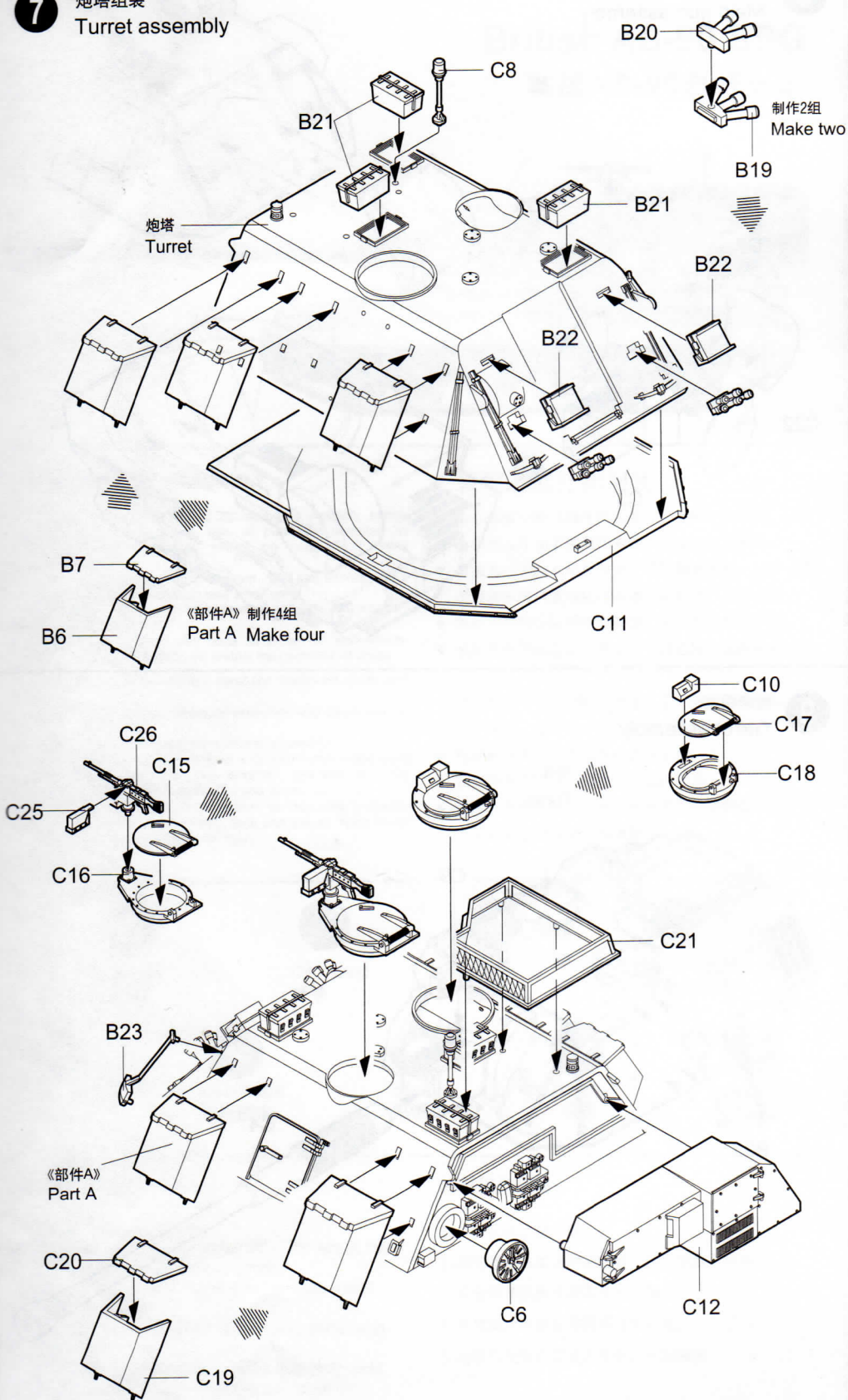
5 车面组装
Upper hull assembly



6 车面安装
Attaching upper hull



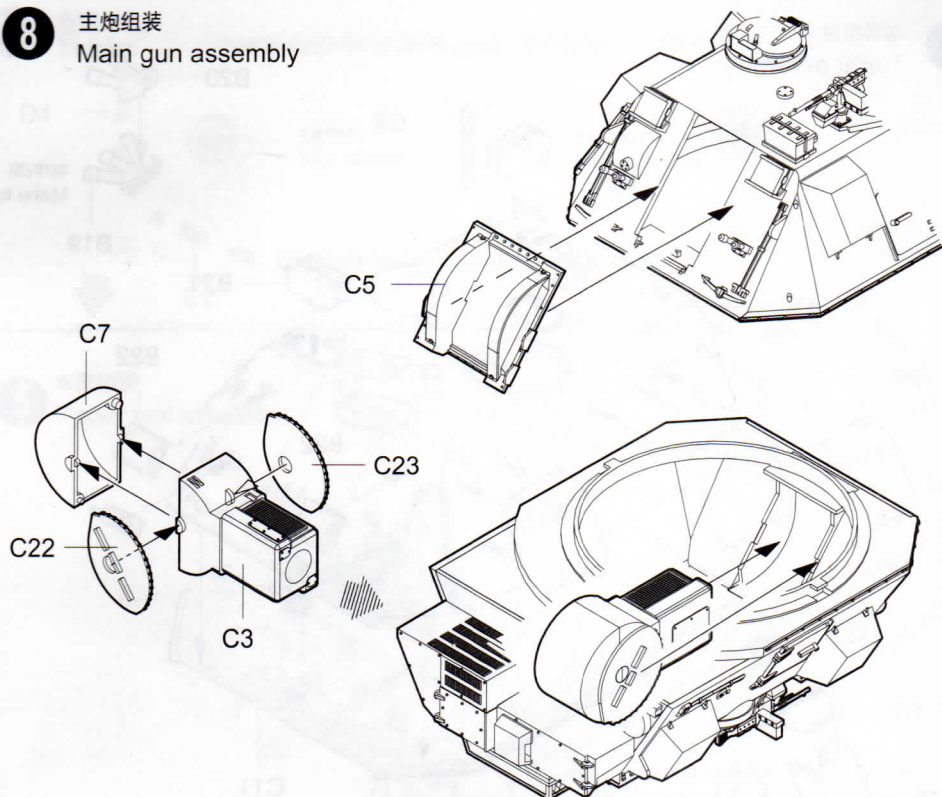
7 炮塔组装
Turret assembly



8

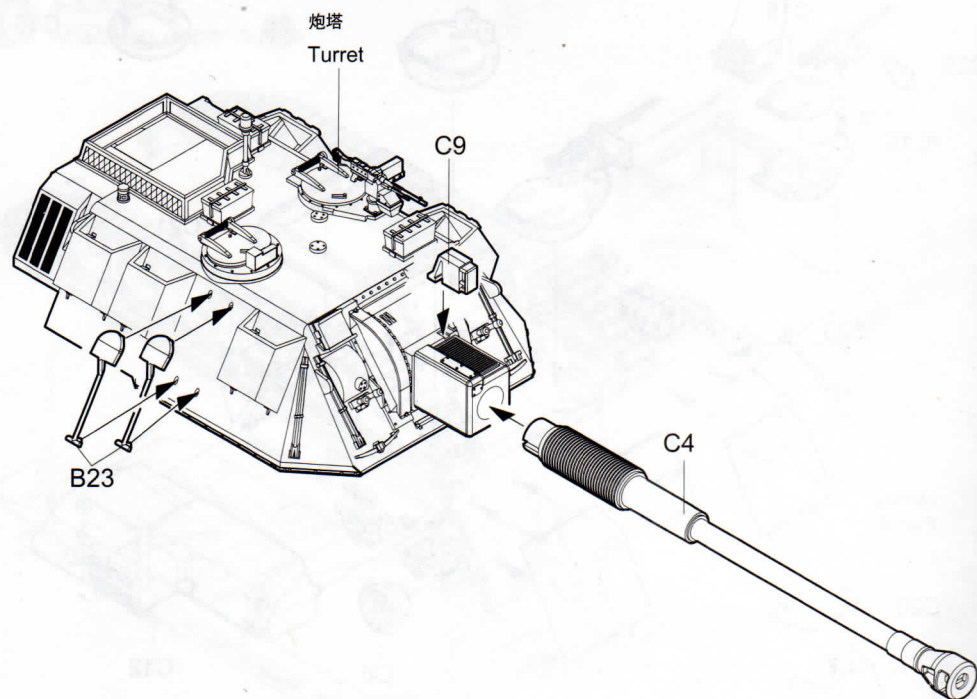
主炮组装

Main gun assembly

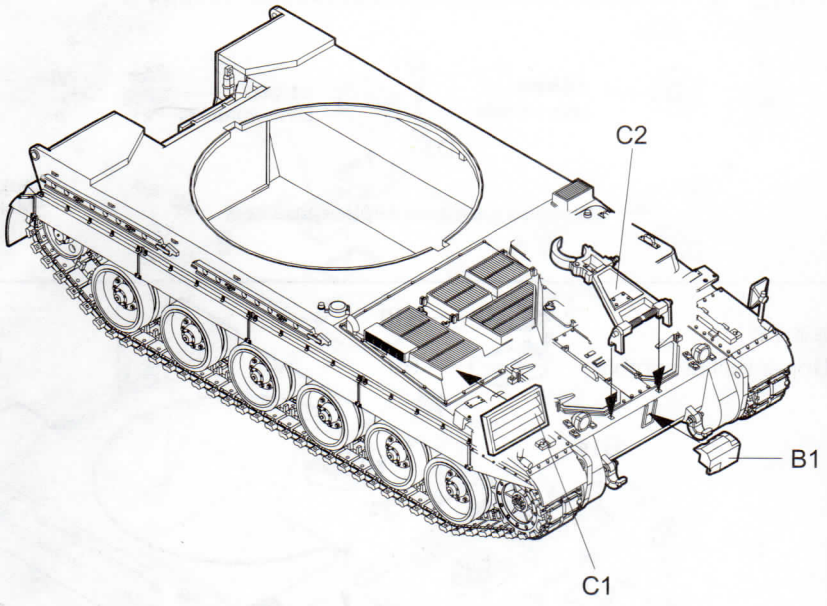
**9**

炮塔组装

Turret assembly

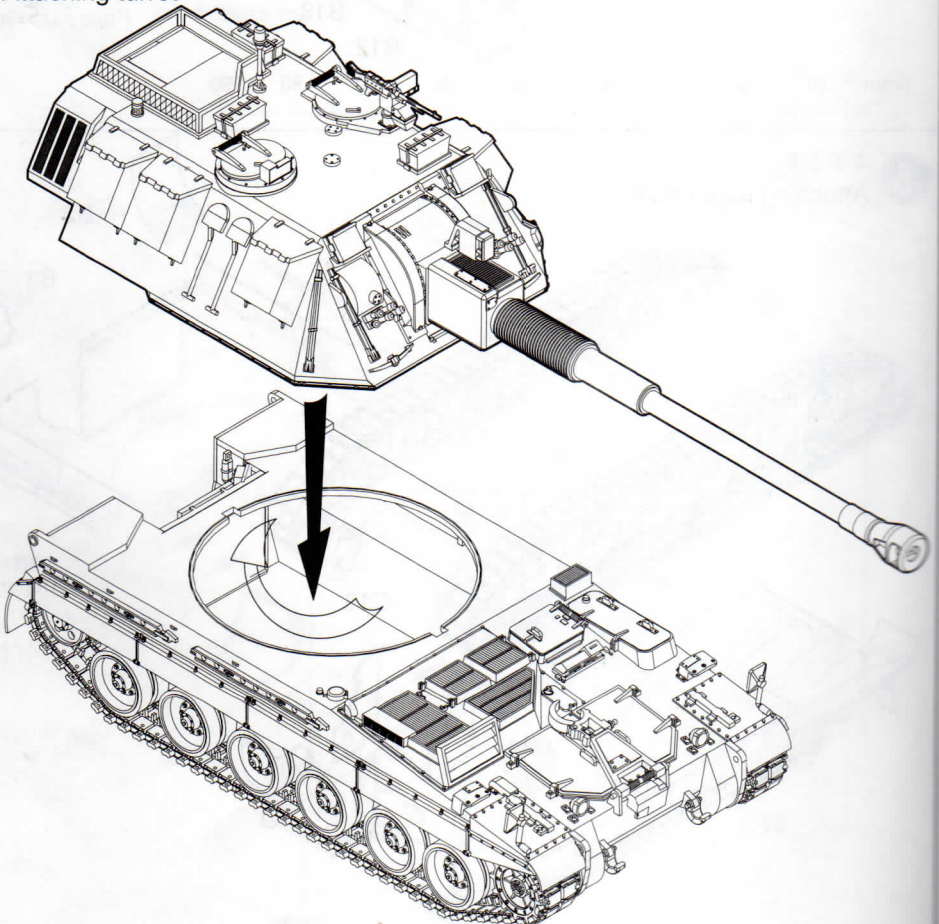


10



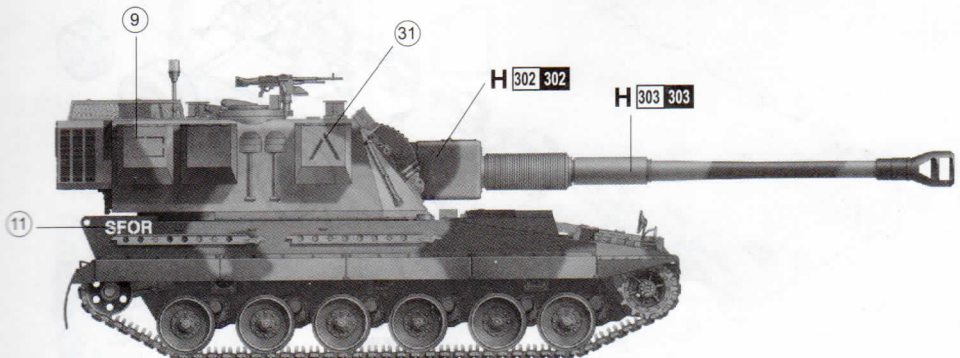
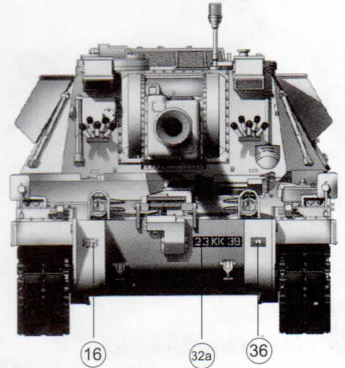
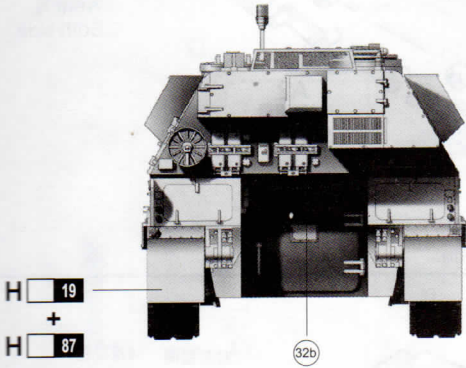
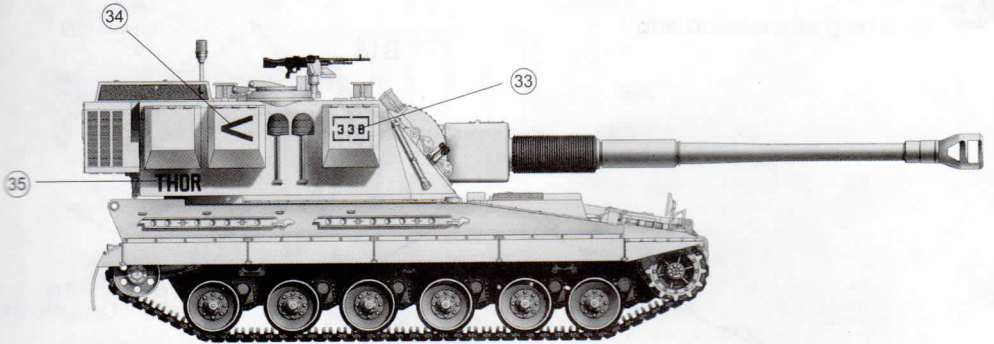
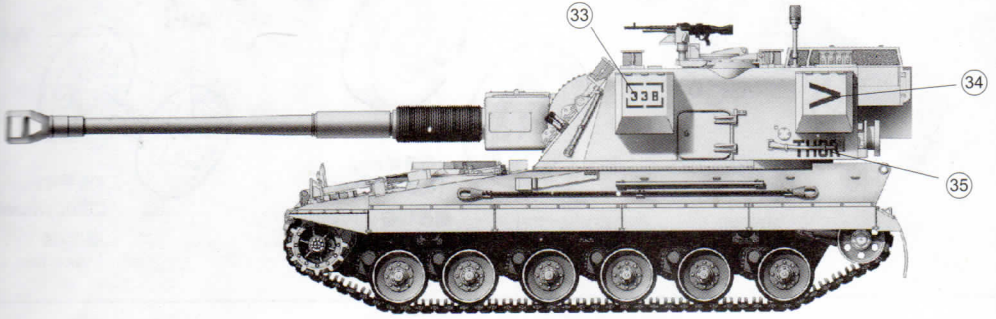
11

炮塔连接
Attaching turret



涂装同标贴指示
Painting & Marking guide

使用郡仕公司涂料
GUNZE SANGYO Mr. Color used



H GUNZE SANGYO AQVEOUS HOBBY COLOUR

X GUNZE SANGYO MR.COLOUR