

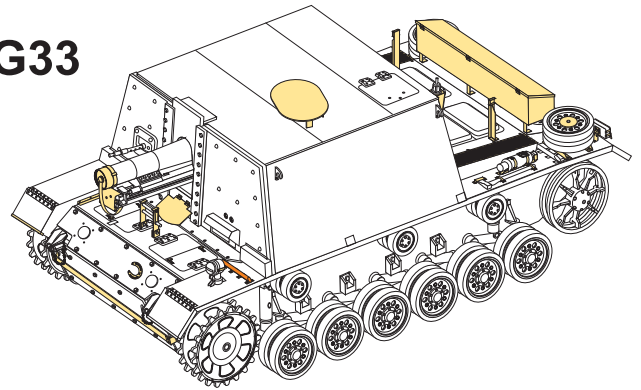
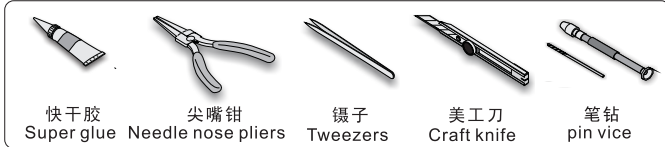
1/35 MILITARY MINIATURE VEHICLE UPGRADE SERIES PE35476










# WWII German STUG III.Ausf.SIG33


## 二战德军III号底盘SIG33自行步兵炮

[For DROGON 6042/6713]

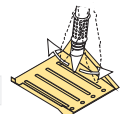
### 推荐使用工具 RECOMMENDED TOOLS

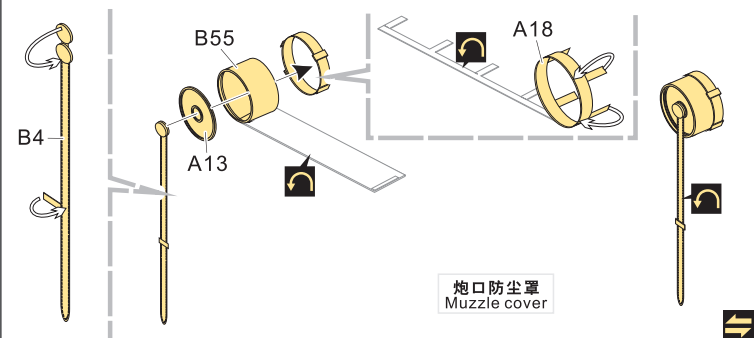


-   
 安装  
install
-   
 折叠  
bend
- A1**  
 改造件零件编号  
PE/resin part number
- B12**  
 原零件编号  
kit part number
- C22**  
 被替换的原零件编号  
replaced kit part number
-   
 另一侧相同制作  
repeat on opposite side
-   
 切除  
remove
-   
 打磨  
grind off
-   
 弧度卷曲  
radial bending
- x2**  
 制作若干组  
multiple assembly
-   
 选择安装  
alternative
-   
 钻孔  
drill
-   
 用铜管制作  
make from brass tube

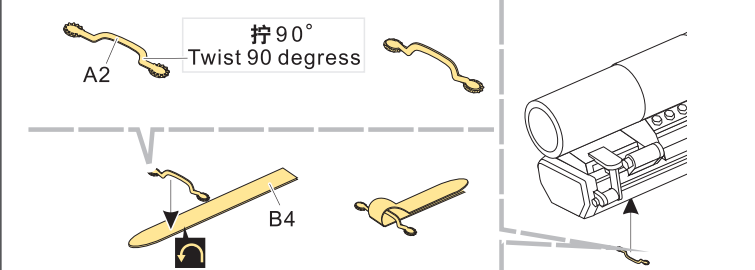
  
 用尖端在凹槽处冲压  
use penpoint to press on the dent

蚀刻片零件内朝面向上  
Put the part upside down  
 用笔尖在凹槽处别  
Use penpoint to press on the dent

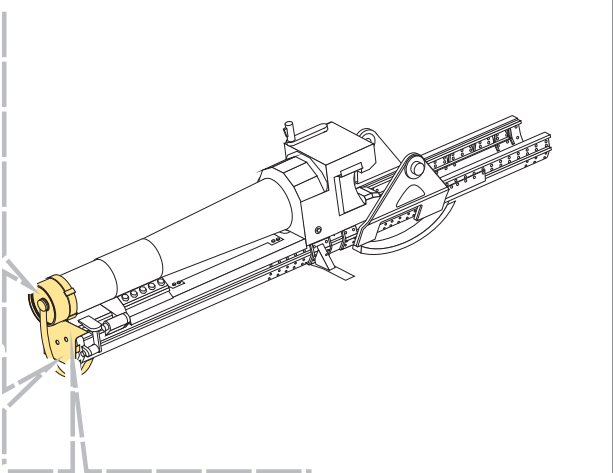


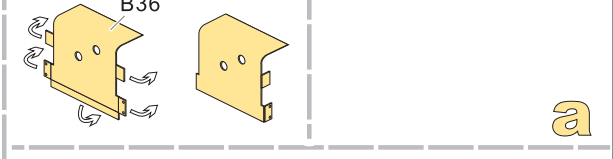


炮口防尘罩  
Muzzle cover

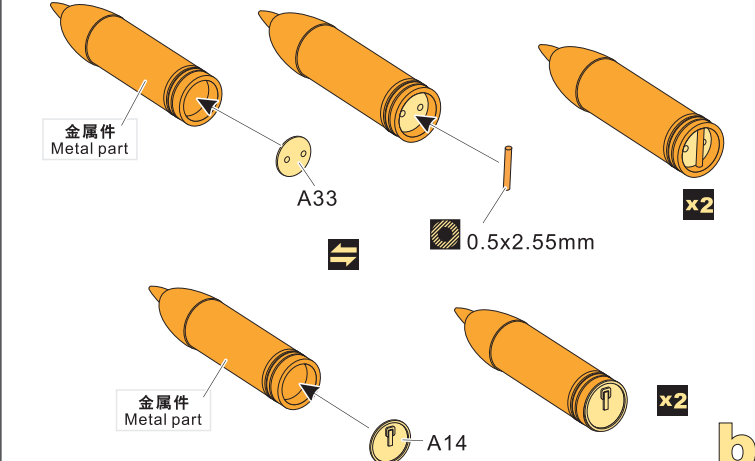


拧 90°  
Twist 90 degree



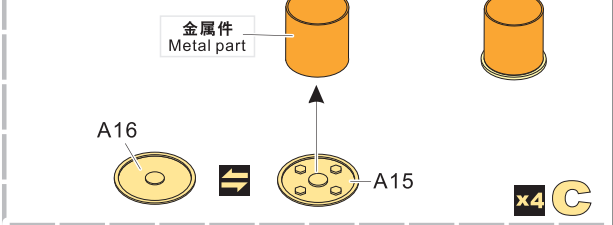


a



0.5x2.55mm

b

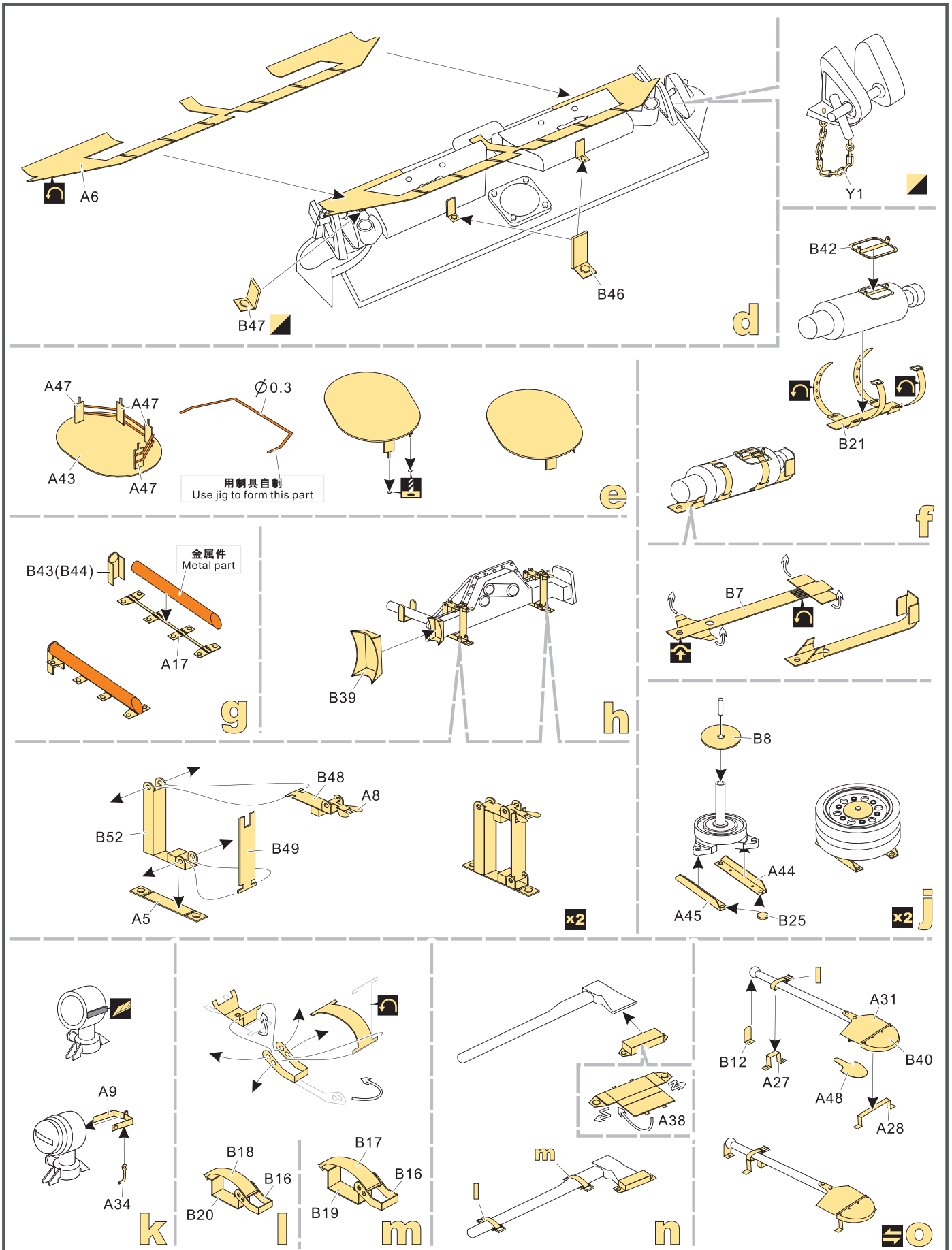


金属材料  
Metal part

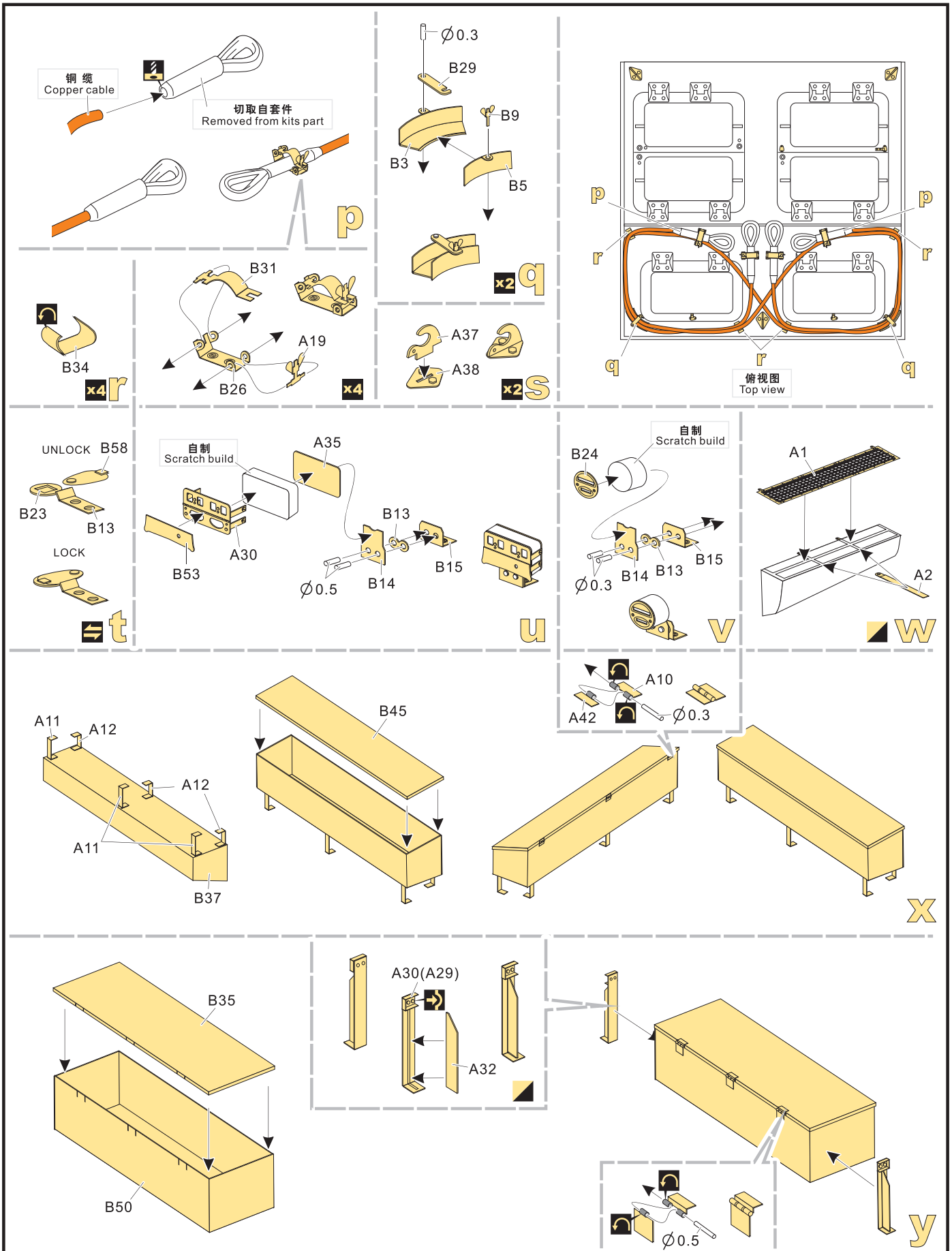
c

VOYAGERMODEL <sup>®</sup> The Best Upgrade Solution		无微不至 极尽享受	
Recommended item			
PE 35364	WWII German Pz.KPfw.III E-H version/StuG.III A-E version Fenders		
VBS0305	WWII German 150mm StuH 43 Ammunition		
VBS0308	WWII German 150mm StuH 43 Shell Casel		
PEA 108	WWII German Pz.KPfw.III Late Production Damaged Road Wheels		

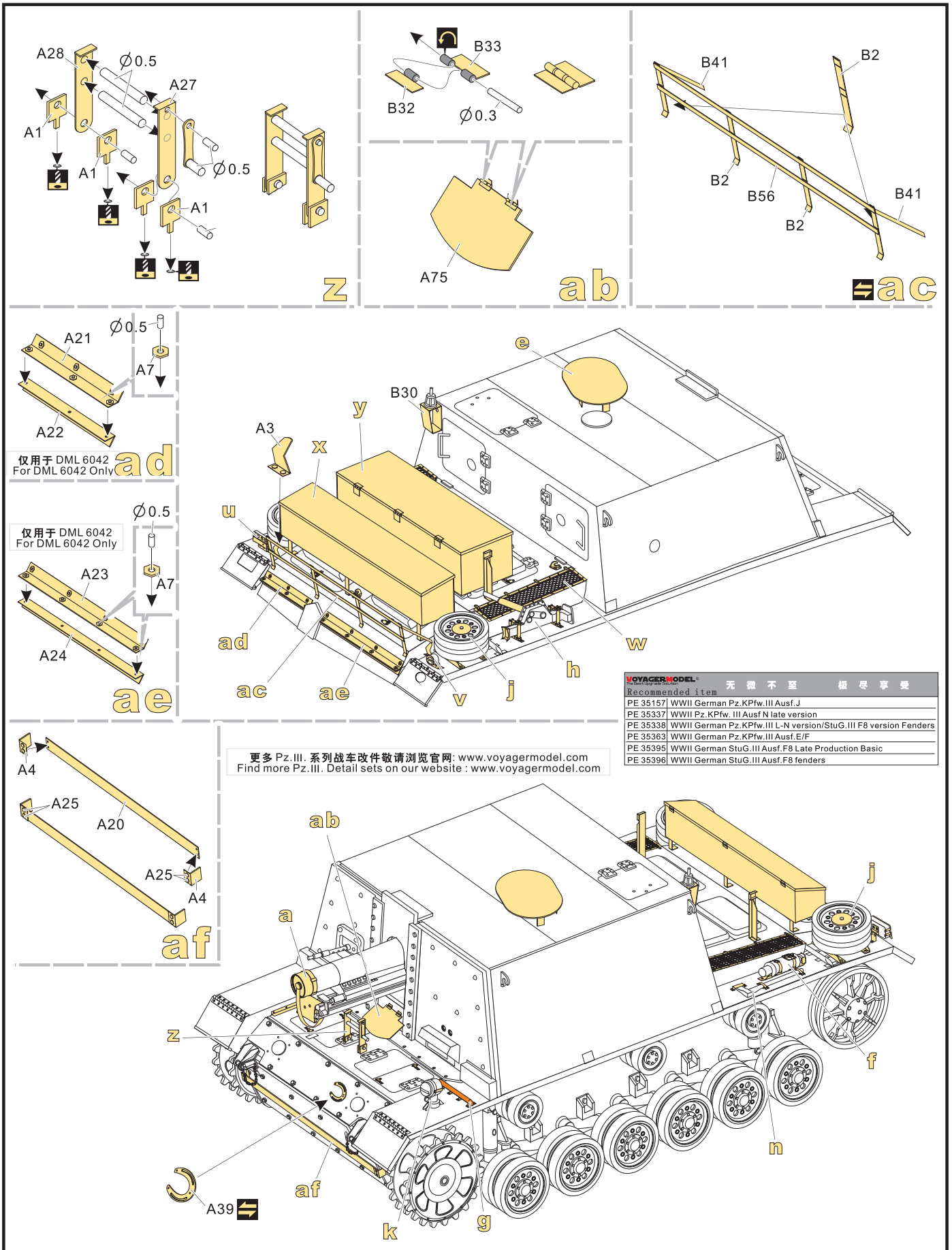
1/35 MILITARY MINIATURE VEHICLE UPGRADE SERIES PE35476



1/35 MILITARY MINIATURE VEHICLE UPGRADE SERIES PE35476



1/35 MILITARY MINIATURE VEHICLE UPGRADE SERIES PE35476



仅用于 DML 6042  
For DML 6042 Only

仅用于 DML 6042  
For DML 6042 Only

更多 Pz.III. 系列战车改件敬请浏览官网: [www.voyagermodel.com](http://www.voyagermodel.com)  
Find more Pz.III. Detail sets on our website: [www.voyagermodel.com](http://www.voyagermodel.com)

VOYAGERMODEL® 无微不至 极尽享受	
Recommended item	
PE 35157	WWII German Pz.KPfw.III Ausf.J
PE 35337	WWII Pz.KPfw. III Ausf.N late version
PE 35338	WWII German Pz.KPfw.III L-N version/StuG.III F8 version Fenders
PE 35363	WWII German Pz.KPfw.III Ausf.E/F
PE 35395	WWII German StuG.III Ausf.F8 Late Production Basic
PE 35396	WWII German StuG.III Ausf.F8 fenders