

# PZ.KPFW.V 'PANTHER' AUSEF.G

LATE PRODUCTION

‘黑豹’ G型坦克後期生產型



1/72 Scale

Item No.VS720003

## Meaning of icons



**FILL HOLE**  
填平孔洞



**OPEN HOLE**  
鑽出孔洞



**OPTIONAL**  
可選擇使用



**2 SETS NEEDED**  
同樣的制作二組



**REMOVE**  
切除



**BE CAREFUL**  
小心注意



**APPLY DECAL**  
貼上水貼



**BEND**  
曲折



**DO NOT CEMENT**  
不用粘接



**INSTANT GLUE**  
速干膠  
瞬間接着劑

## CAUTION:

1. When you use glue or paint, do not use near a open flame, and sue in a well-ventilated room.
2. Cut the parts off properly and throw waste parts into dustbox at once.
3. Keep all parts out of small children. Children must not be allowed to put any parts in their mouths, or pull plastic bags over their head.
4. Do not play with the parts for any other purpose, as some parts may be to sharp. More caution and care needed for families with infants.

## 注意:

1. 當組裝模型時應遠離火種及在空氣流通的房間內進行。
2. 廢置膠料應掉棄在環保回收的垃圾箱內。
3. 由於模型套件有許多細小零件，請勿讓小孩接觸以免產生誤吞之危險。也別讓小孩把包裝膠件之透明塑料袋套在頭上，這很容易引致窒息。
4. 由於零件有不少尖角部份，請勿把玩及作其他用途，請注意及小心保護你的家人。

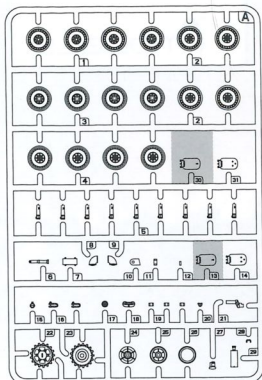
## CORRECT METHOD FOR APPLYING DECALS:

1. Clean model surface with wet cloth.
2. Cut out of decal sheet and dip them in cold water for 15 seconds.
3. Place decal on proper position on model.
4. Slide off base paper leaving decals on model with wet finger tip.
5. Adjust decals to exact position, push out excess water under decal with soft cotton cloth.

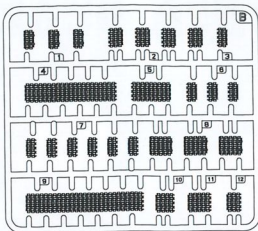
## 正確貼上水貼紙的方法:

1. 將模型表面擦幹淨。
2. 將貼紙剪下泡入清水中約15秒。
3. 將泡濕之貼紙取出置放欲貼處旁。
4. 用指尖輕推貼紙表面使其滑出底紙。
5. 將貼紙調整至適當位置并輕擦拭水份。

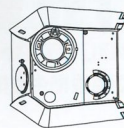
Ax2



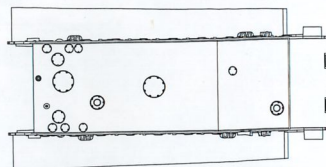
Bx2



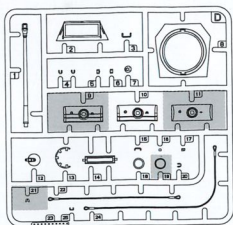
Turret x1



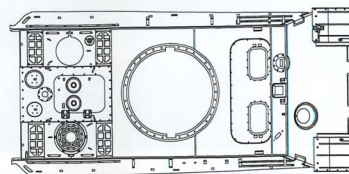
Lower hull x1



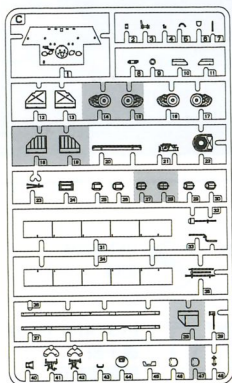
Dx1



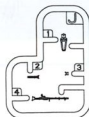
Upper hull x1



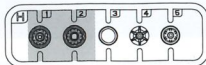
Cx1



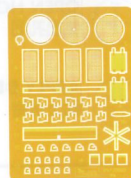
J x1



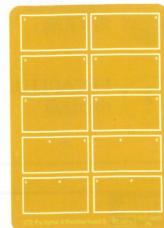
Hx2



Pa x1



Pb x1



Decal x1



Accurate 3D print muzzle brake  
高精度紅蠟打印製退器



Resin muzzle brake canvas cover  
樹脂炮衣



Metal barrel  
金屬炮管

Not for use part(不使用的部件)

Colour	MR.Hobby	Hobby Color	Humbrol	Tamiya
<b>A</b> Red Brown	H-47	C-41	62	XF-64
<b>B</b> Steel	H-18	C-28	53	X-10
<b>C</b> Dark Green	/	C-70	88	XF-89
<b>D</b> Dark Yellow	H-79	C-39	84	XF-60
<b>E</b> White	H-11	C-62	34	XF-2
<b>F</b> Tire Black	H-305	C-137	33	XF-85



微信公众号



FACEBOOK

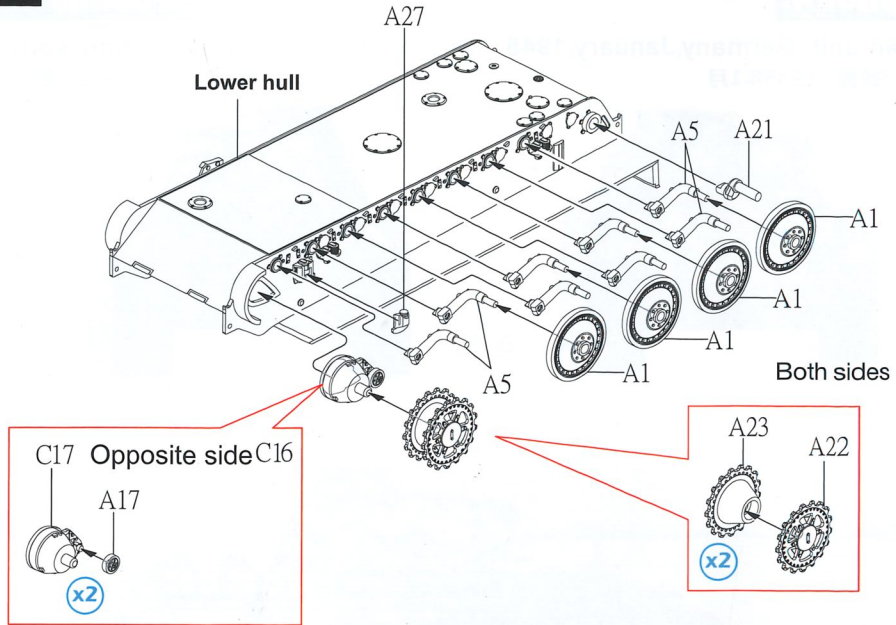
Web: [www.vespid-models.com](http://www.vespid-models.com)

E-mail: [vespidmodels@foxmail.com](mailto:vespidmodels@foxmail.com)

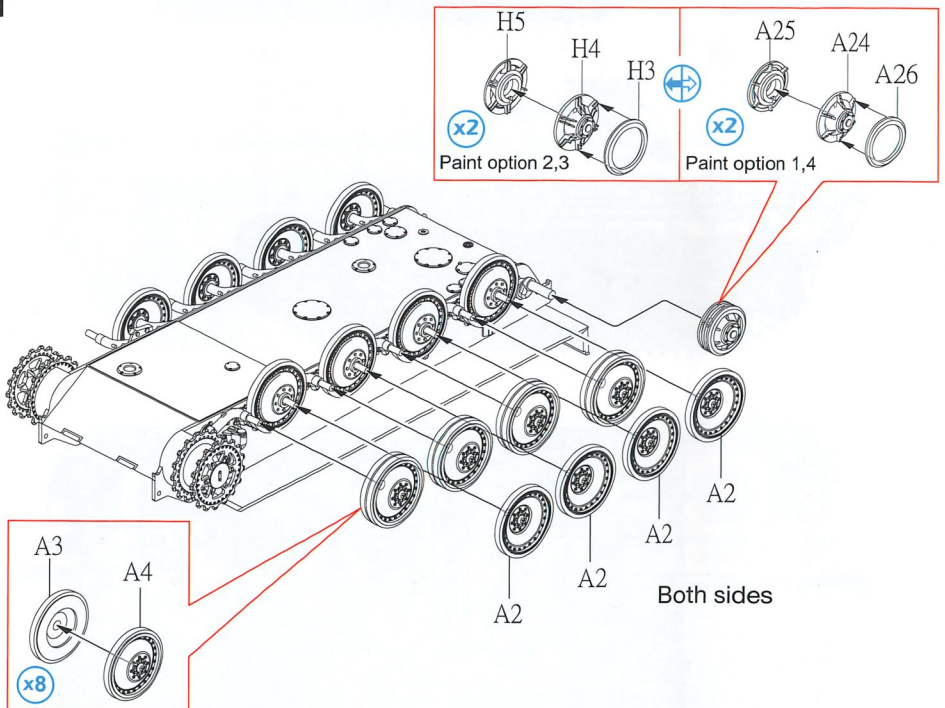


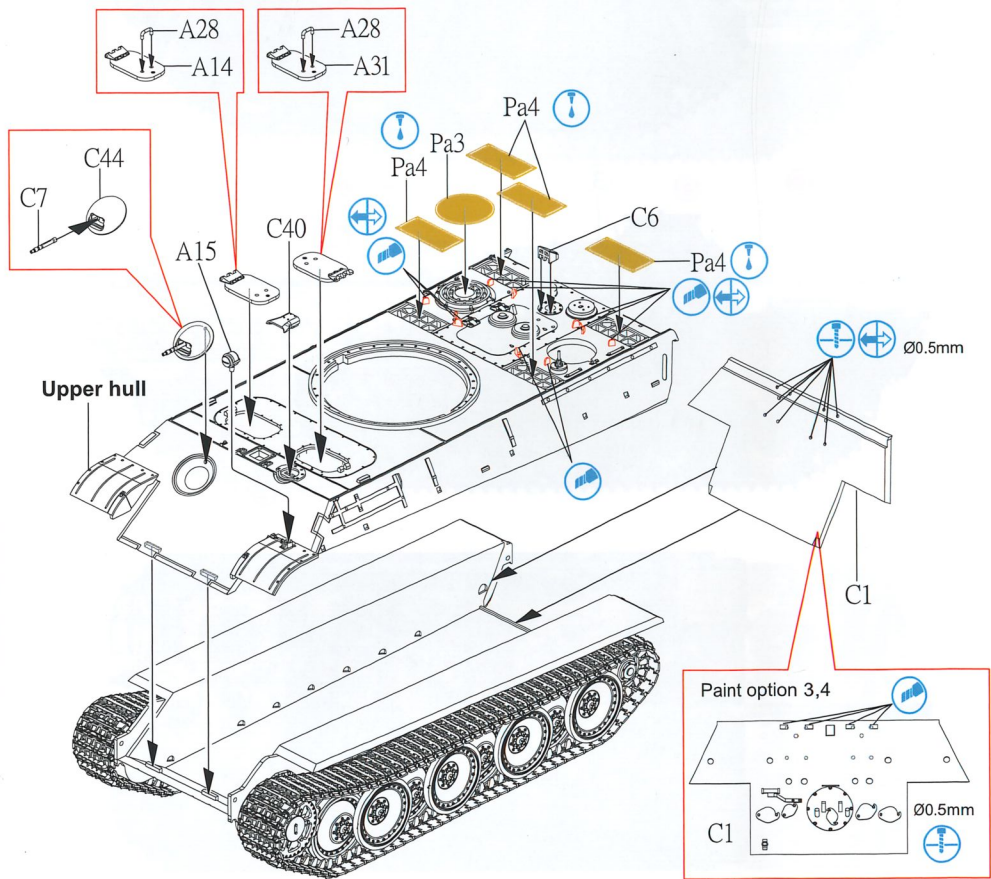
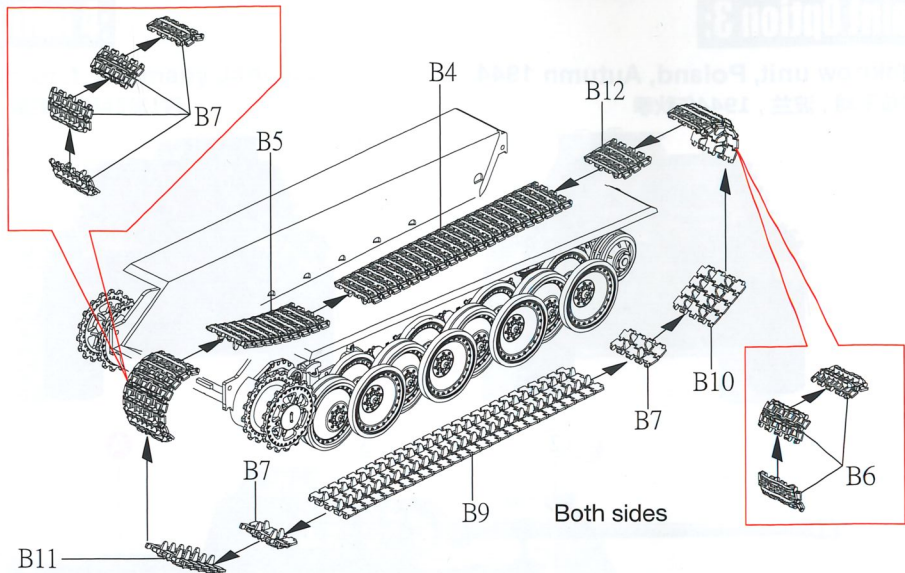


1

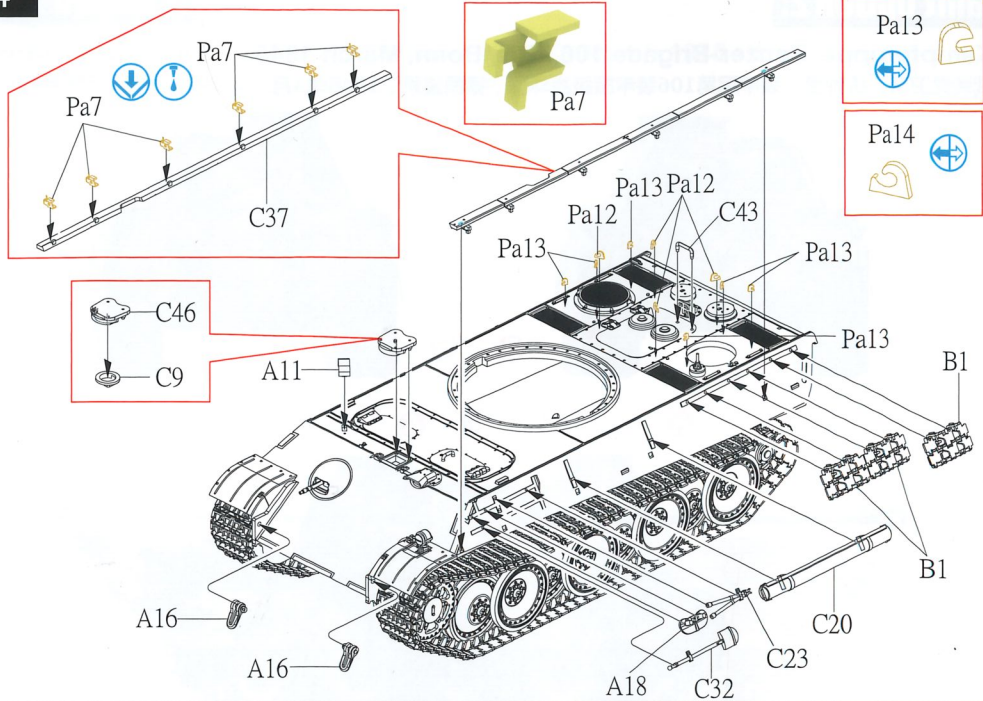


2

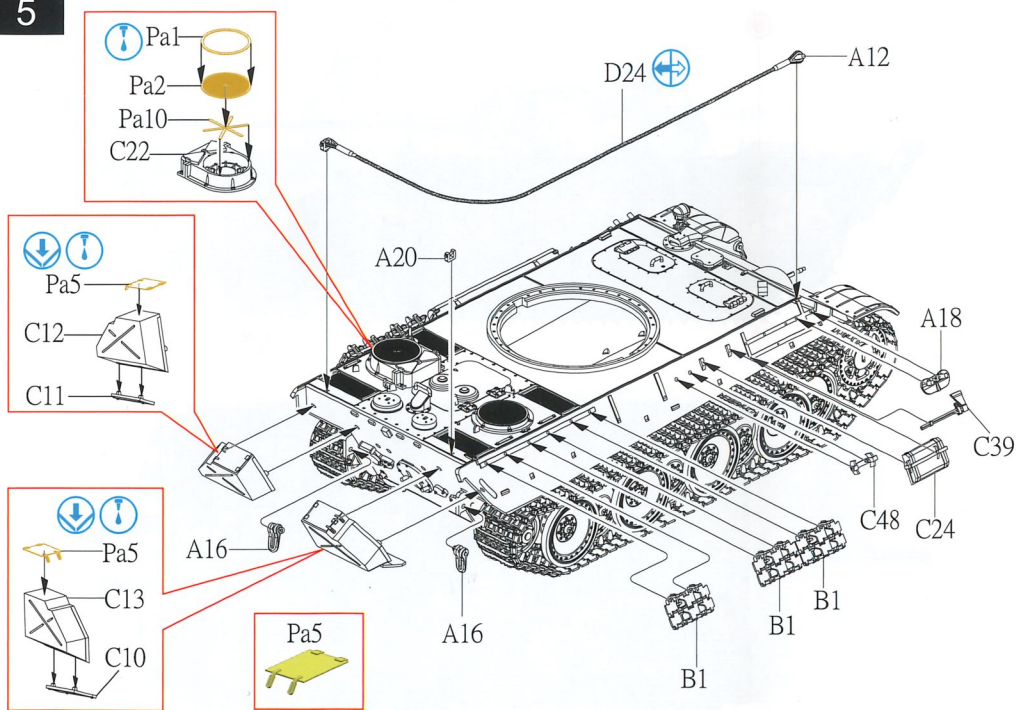




4

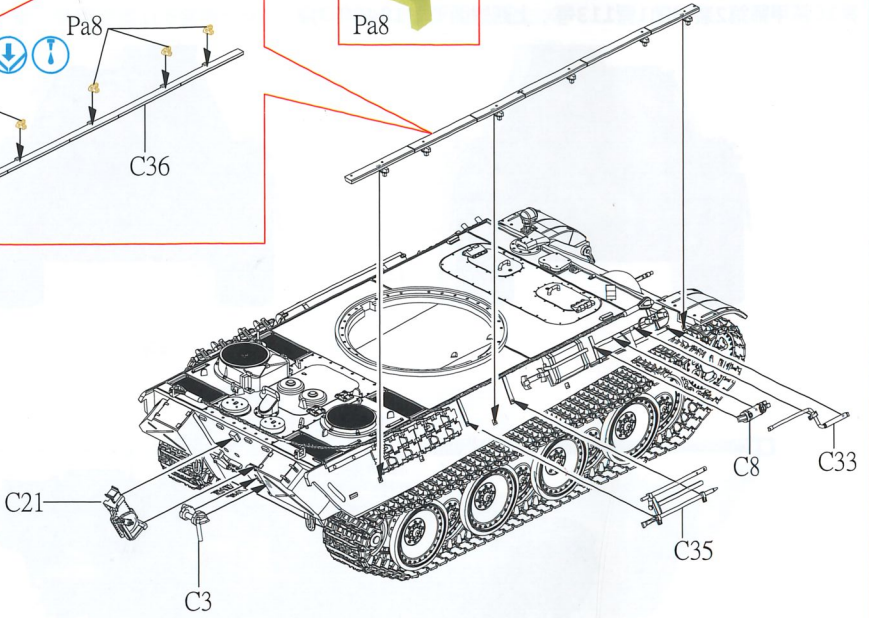
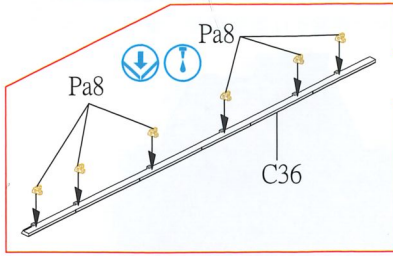


5

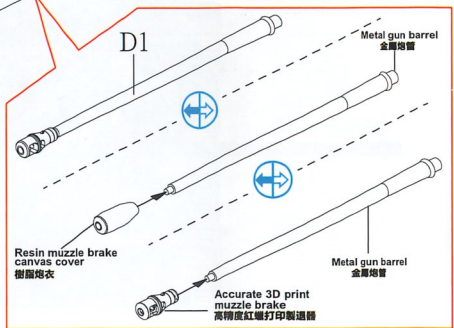
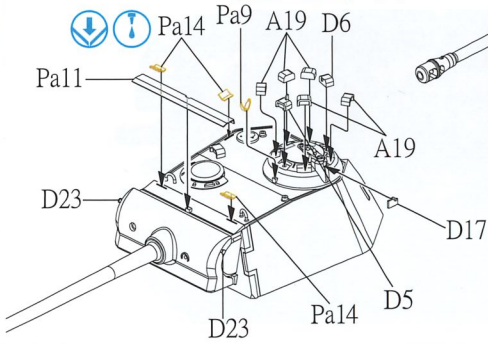
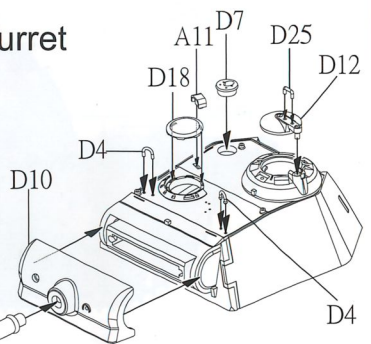
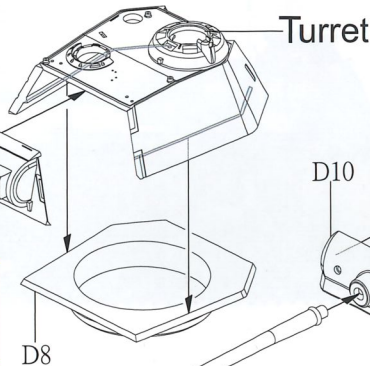
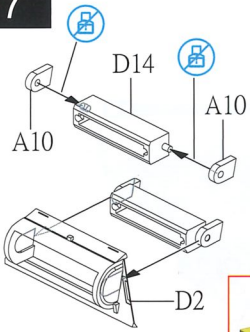




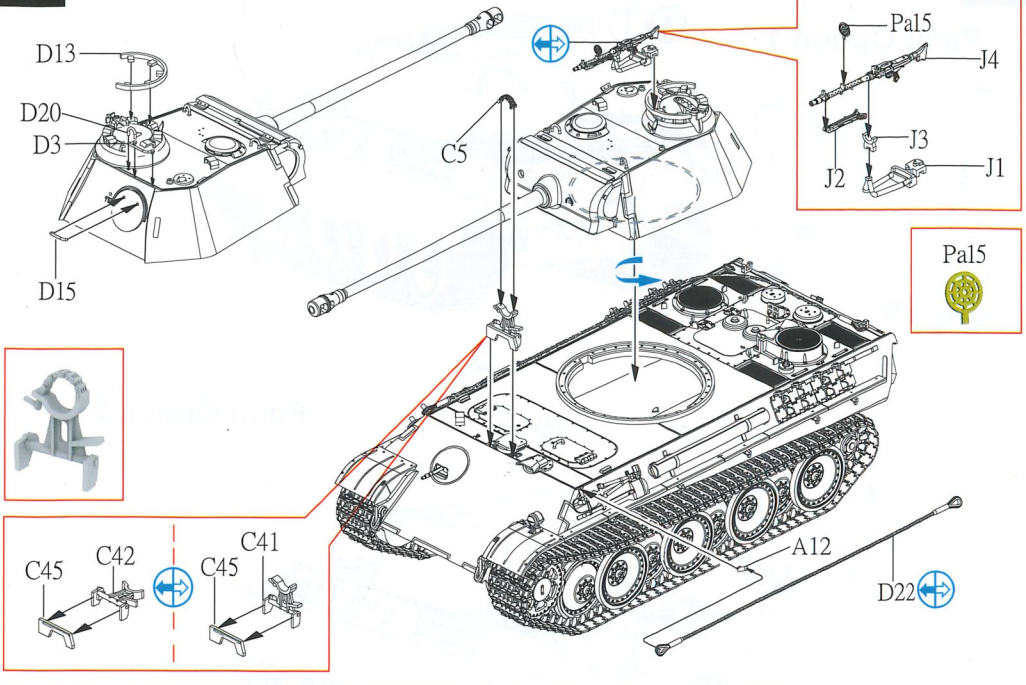
6



7

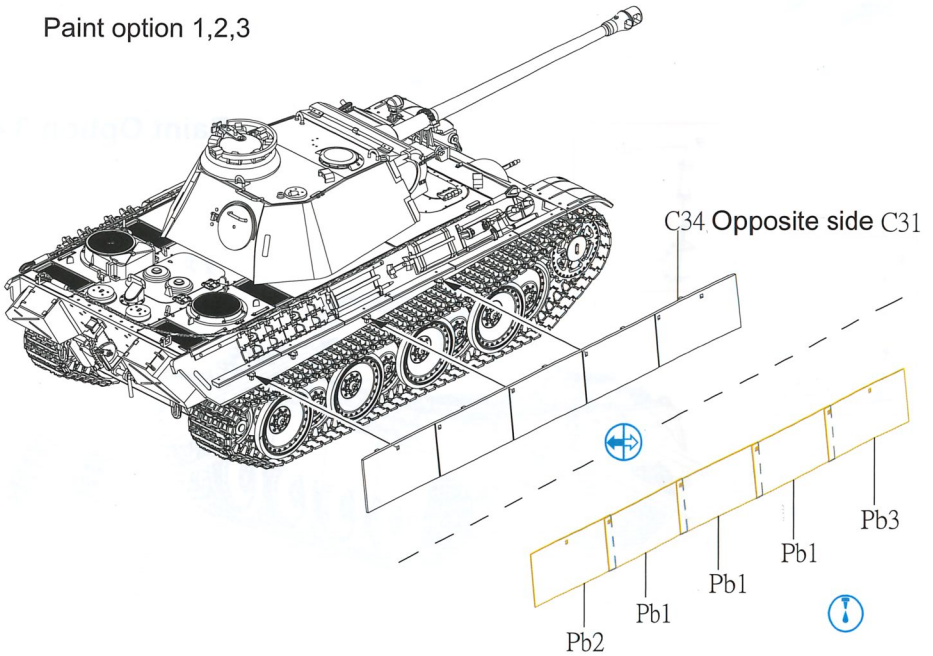


8

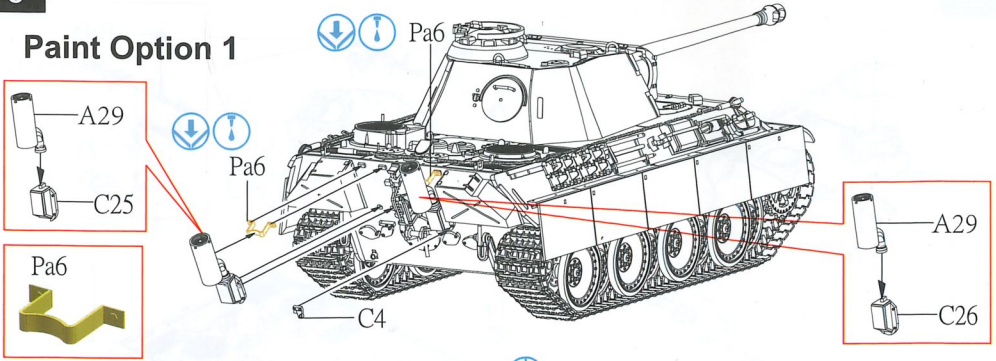


9

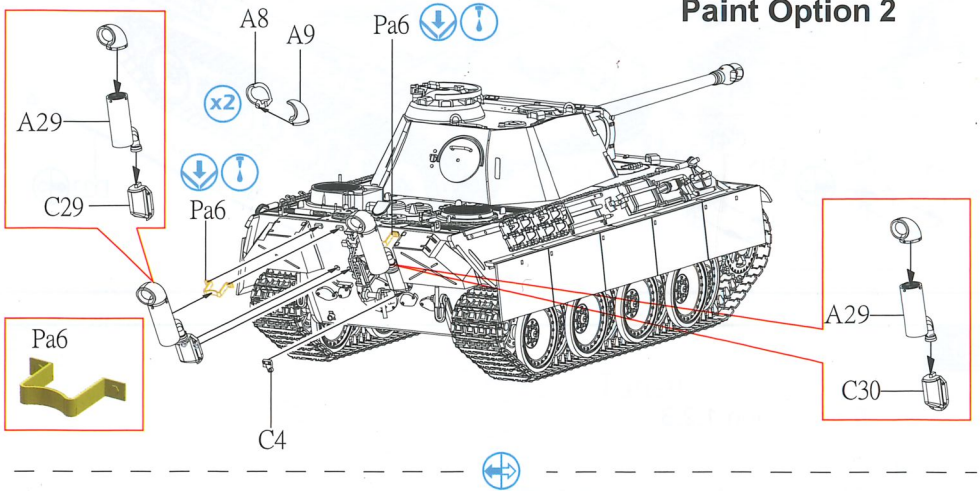
Paint option 1,2,3



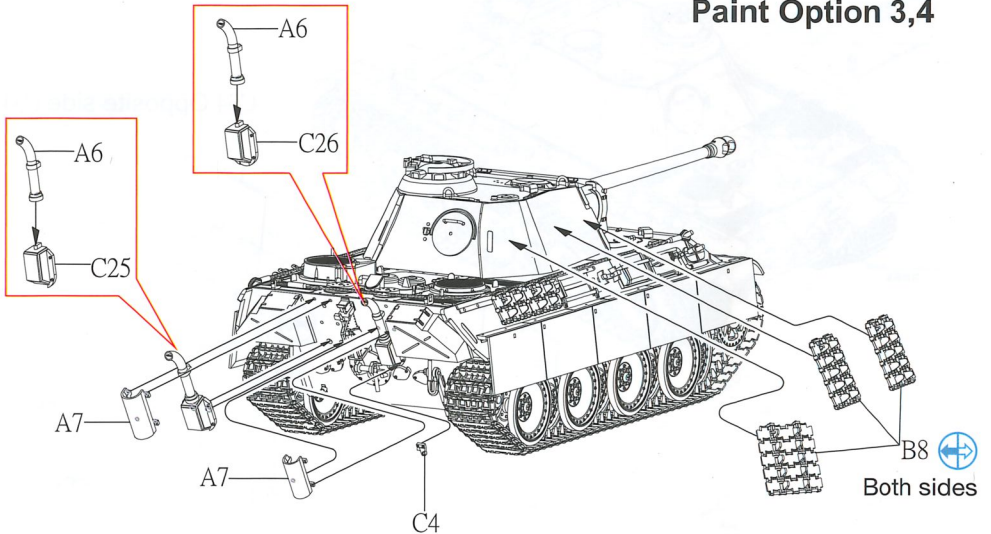
Paint Option 1



Paint Option 2



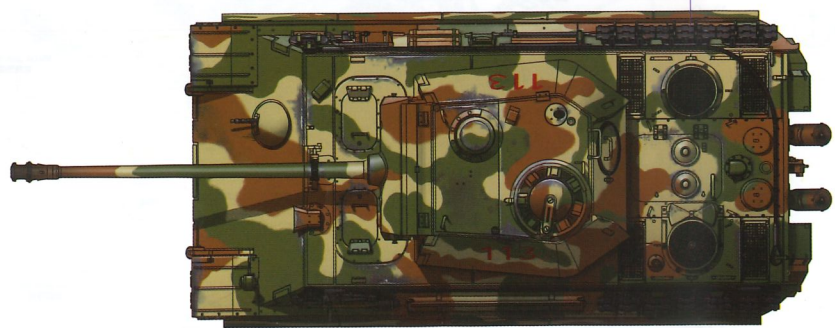
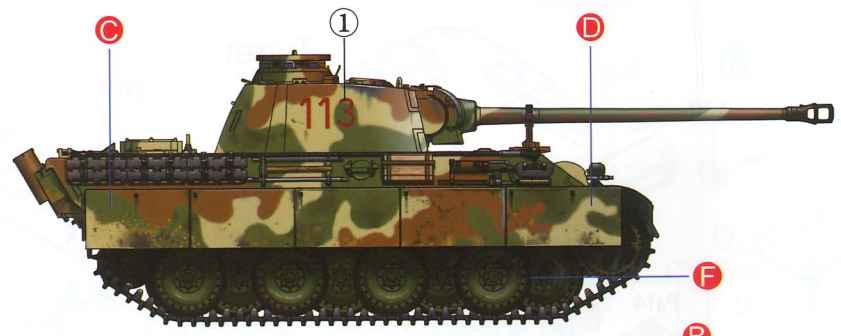
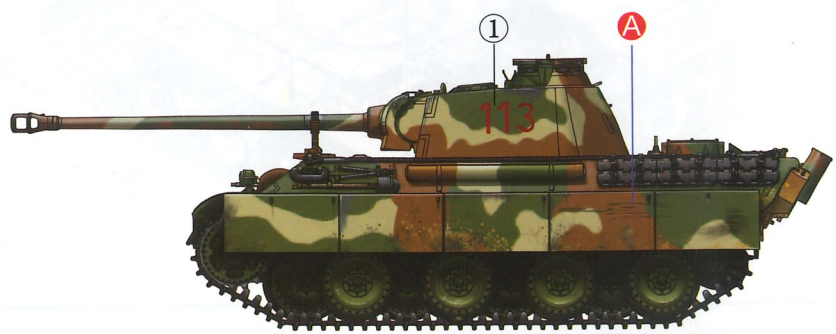
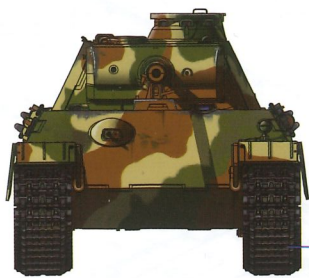
Paint Option 3,4





# Paint Option 1:

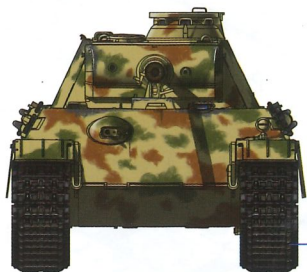
Panzer-Regiment 2, 16.Panzer-Division, No.113, March 1945 Oberschlesien  
第16装甲师第2装甲团1营113号, 上西里西亚, 1945年3月



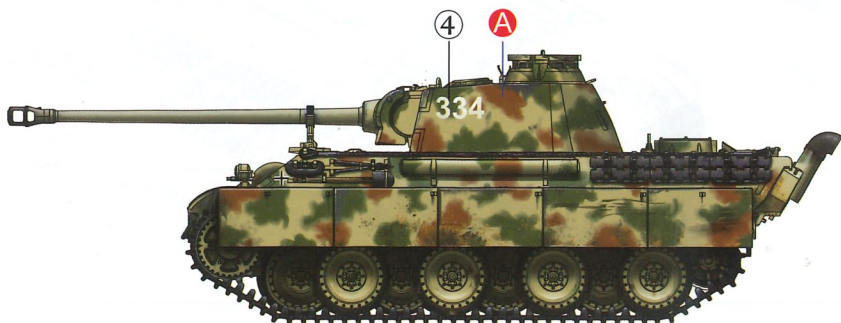
## Paint Option 2:

Kampfgruppe, Panzer-Brigade 106, FHH, Bonn, March 1945

武装党卫队“统帅堂”装甲军第106装甲旅级战斗群，德国波恩，1945年3月

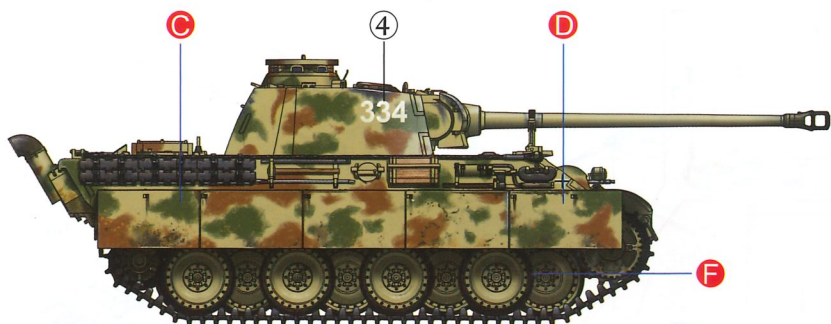


B



4

A



C

4

D

F



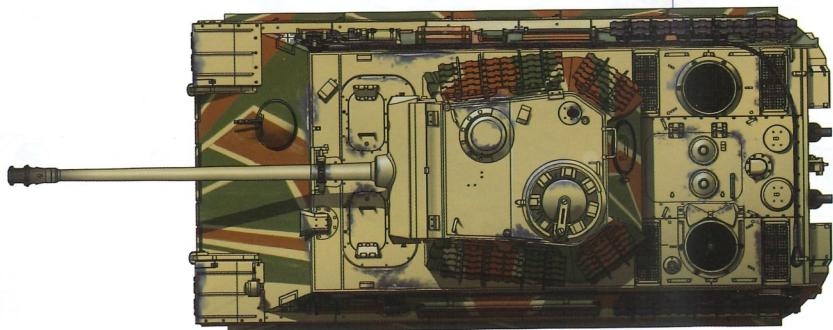
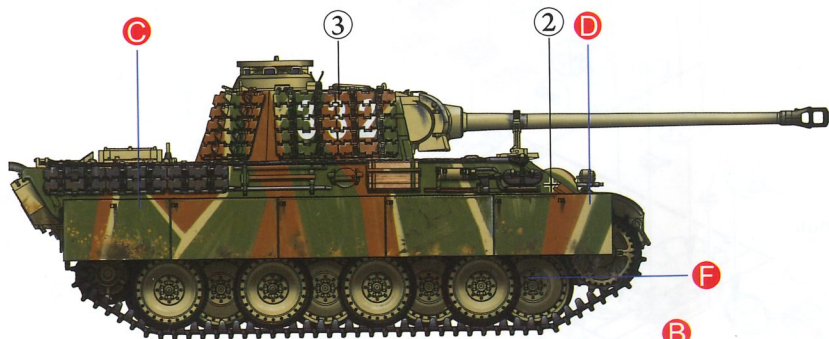
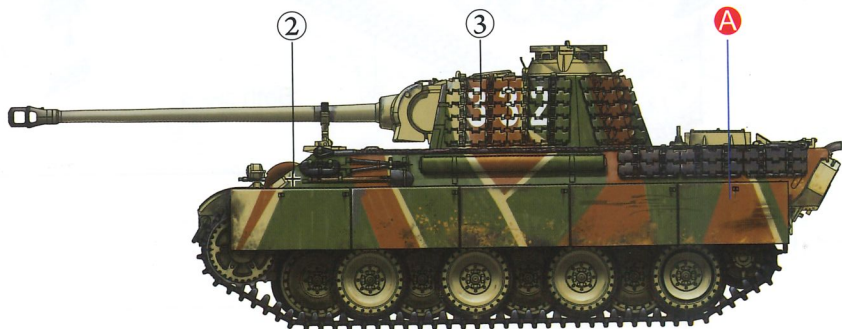
B



# Paint Option 3:

Unknown unit, Poland, Autumn 1944

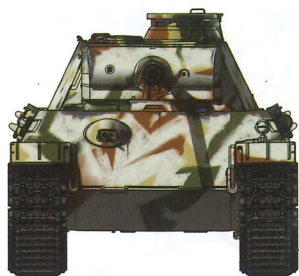
单位不明，波兰，1944年秋季



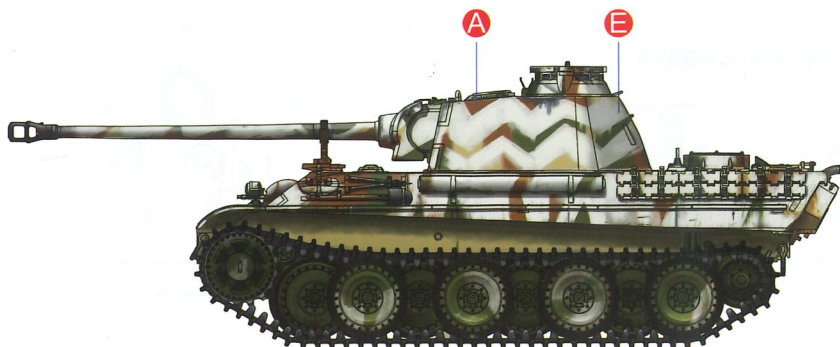
# Paint Option 4:

Unknown unit, Germany, January 1945

单位不明，德国，1945年1月

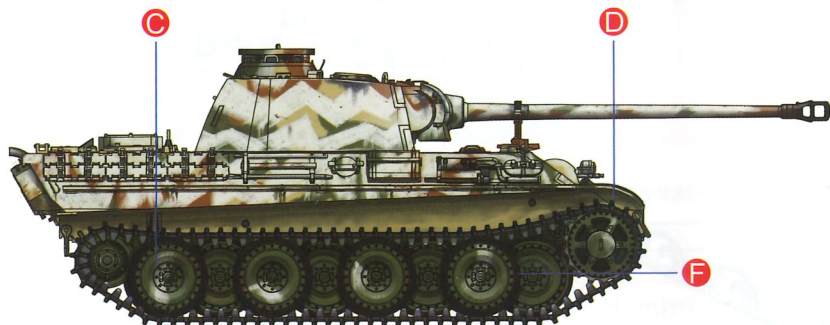


B



A

E



C

D

F

