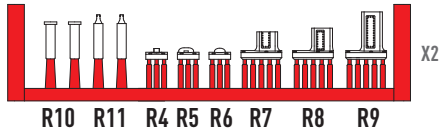
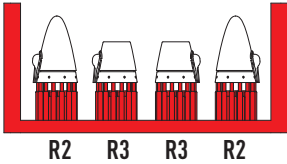
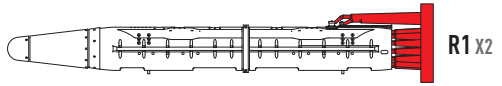
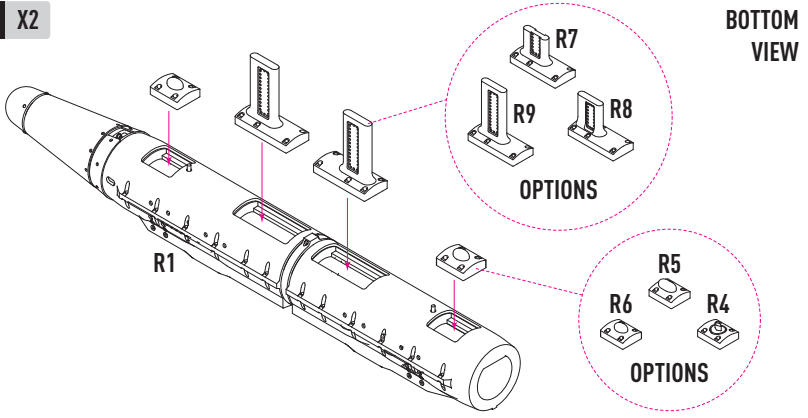


### CUT

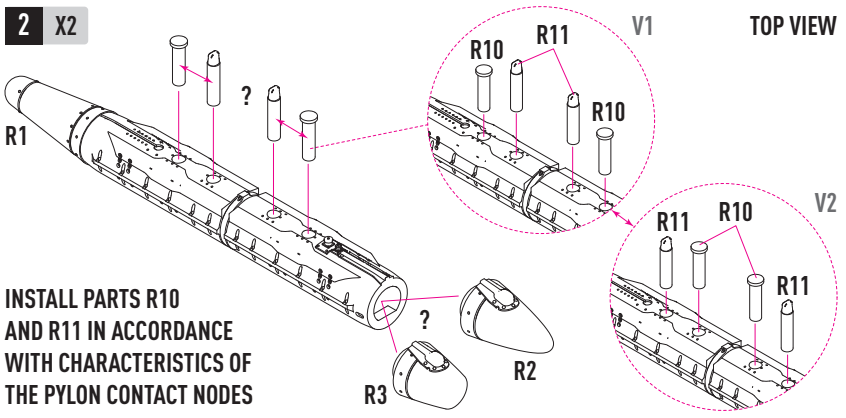
USE A SAW TO REMOVE SUPPORTS FROM 3D PRINTED PARTS



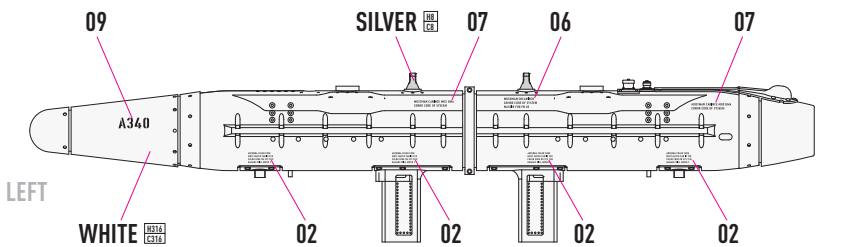
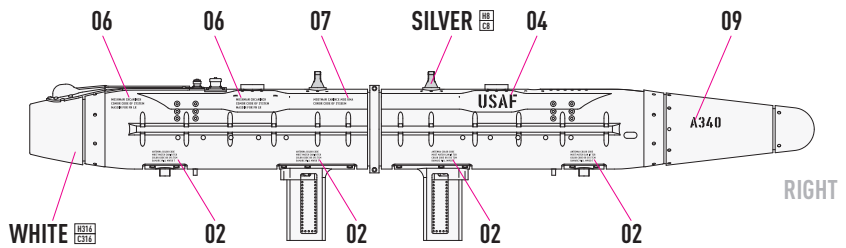
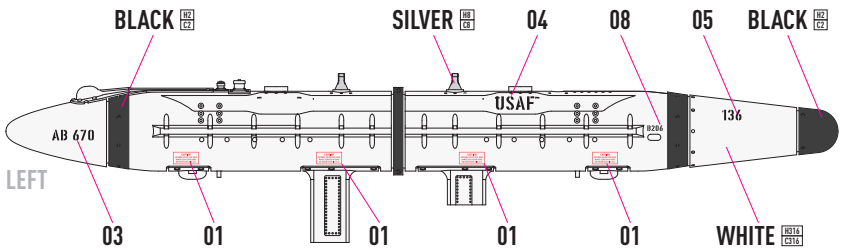
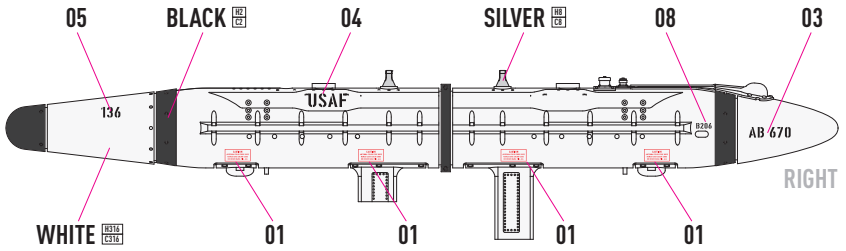
### 1 X2



### 2 X2



INSTALL PARTS R10 AND R11 IN ACCORDANCE WITH CHARACTERISTICS OF THE PYLON CONTACT NODES



COLORS	GUNZE / AEGEUS	GUNZE / MR.COLOR
WHITE	H316	C316

COLORS	GUNZE / AEGEUS	GUNZE / MR.COLOR
SILVER	H8	C8

COLORS	GUNZE / AEGEUS	GUNZE / MR.COLOR
BLACK	H2	C2