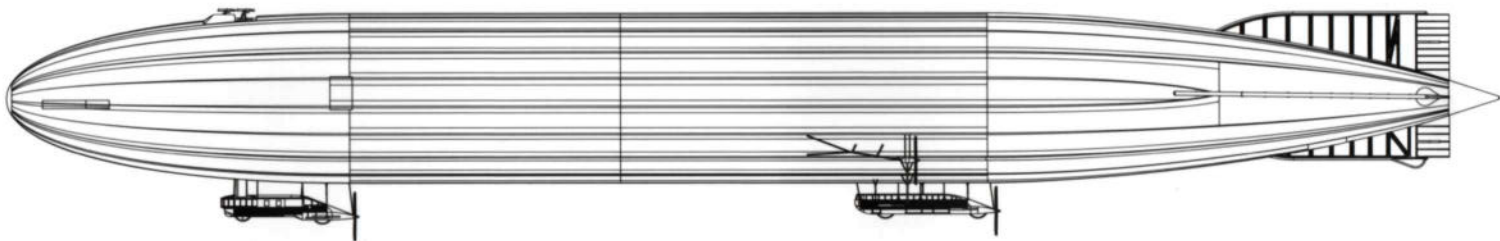


# ZEPPELIN P CLASS AIRSHIP



The Zeppelin P Class airship was the first type to be put into production after the outbreak of WWI. A total of 22 P Class types were built (as well as 12 of the lengthened Q Class type). P and Q Class Zeppelins were operated by both the German Army and Navy. They were deployed on the southern and eastern fronts, as well as naval patrol work over the Baltic and North Seas and were used for many of the airship bombing raids on the United Kingdom during 1915-16. The class was obsolete by 1917 and most of the craft that had not been lost to accidents or enemy action had been dismantled by the end of September 1917.

The P Class was an enlarged version of the preceding M class. On 5 August 1914 the Zeppelin company proposed a design based on the LZ 26 to the German Navy Ministry. This had been originally planned as a passenger carrying craft for DELAG and was the first Zeppelin with a duralumin framework which had the strengthening keel inside the hull structure. The proposed design was larger, and a fourth 210 hp 160 kW Maybach CX six-cylinder engine was added, allowing a greater range and payload. Later examples were fitted with four 240 hp 180 kW Maybach HSLu engines. The P Class also introduced enclosed crew accommodation, as the gondolas of the previous M class Zeppelins were open.

Faced by increasingly effective defensive measures, Zeppelin introduced the Q Class in late 1915. Internal volume was inflated by lengthening the hull by 49 ft (15 meters), increasing its operating ceiling by about 1,500 ft (460 meters). Many of the existing P Class airships were similarly lengthened.

# READ BEFORE ASSEMBLY

## CAUTION

- Read carefully and fully understand the instructions before commencing assembly. A supervising adult should also read the instructions if a child assembles the model.
- When assembling this kit, tools including knives used. Extra care should be taken to avoid personal injury.
- Keep out of reach of small children. Children must not be allowed to suck any part, or pull vinyl bag over their heads.



Be Careful

Instant Glue for Metal

## PAINTS REQUIRED

Color info and profiles by Mig Jimenez

A.MIG-0017 RAL 9001  
Cremeweiss

A.MIG-0032 Satin Black

A.MIG-0045 Gun Metal

A.MIG-0075 Stone Grey

A.MIG-0194 Matt Aluminum

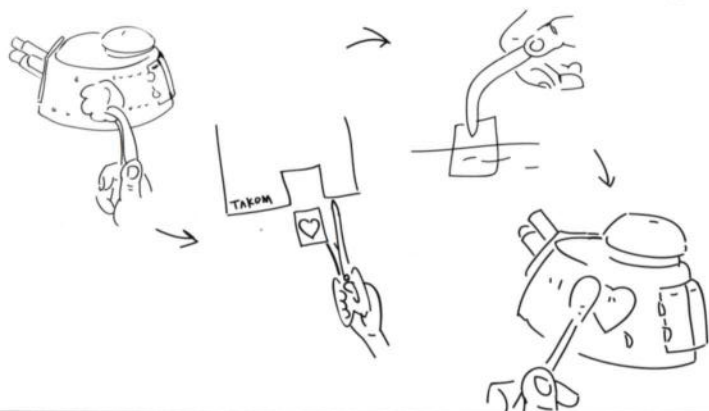
A.MIG-0904 Dunkelgelb High  
Light

A.MIG-0080 Pale Green

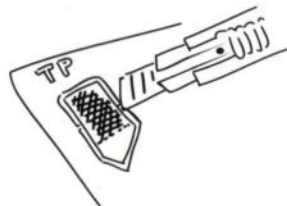
A.MIG-0084 Earth Brown

## APPLYING DECALS

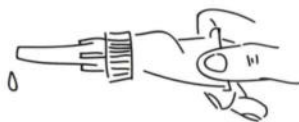
1. Clean the model surface with a wet cloth.
2. Cut out each decal design from sheet, and dip it in tepid water for 15-20 sec.
3. Hold the backing sheet edge and slide decal onto the model.
4. Move decal into position by wetting decal with finger.
5. Press decal gently down with a soft cloth until excess water and air bubbles are gone.



## REMOVING PE



Be careful not to hurt when removing PE parts.

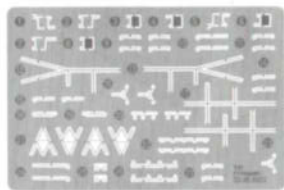
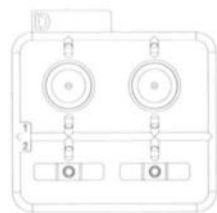
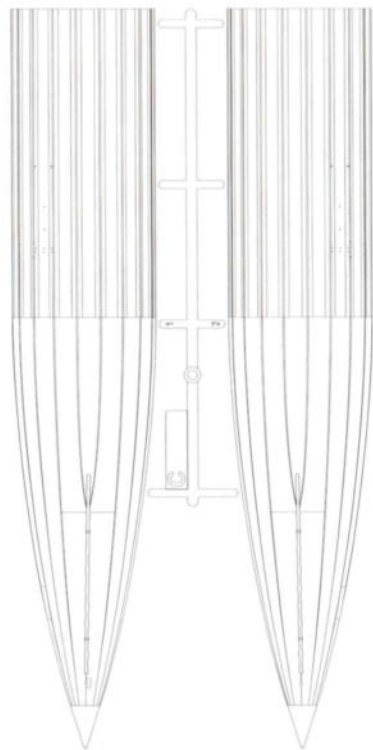
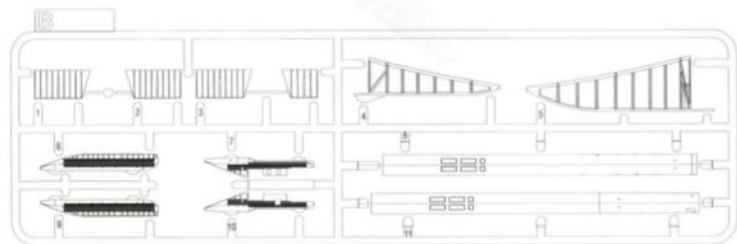
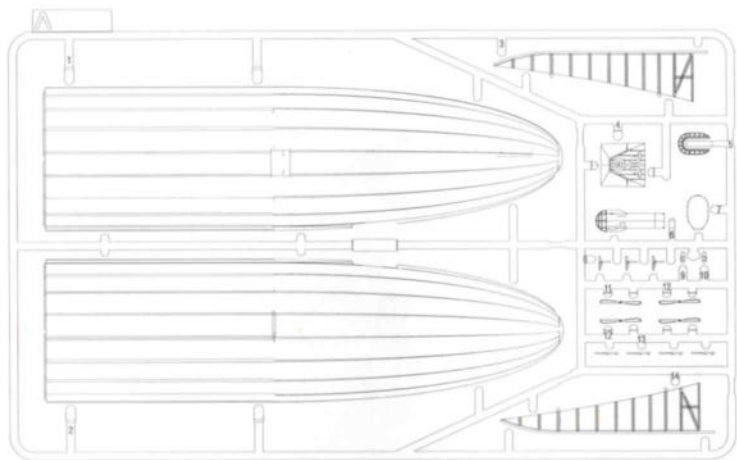


Secure using instant glue (not included).

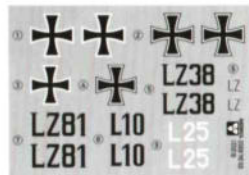


Finish using file.

# PARTS

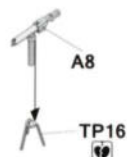
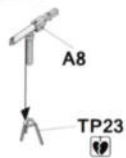


TP

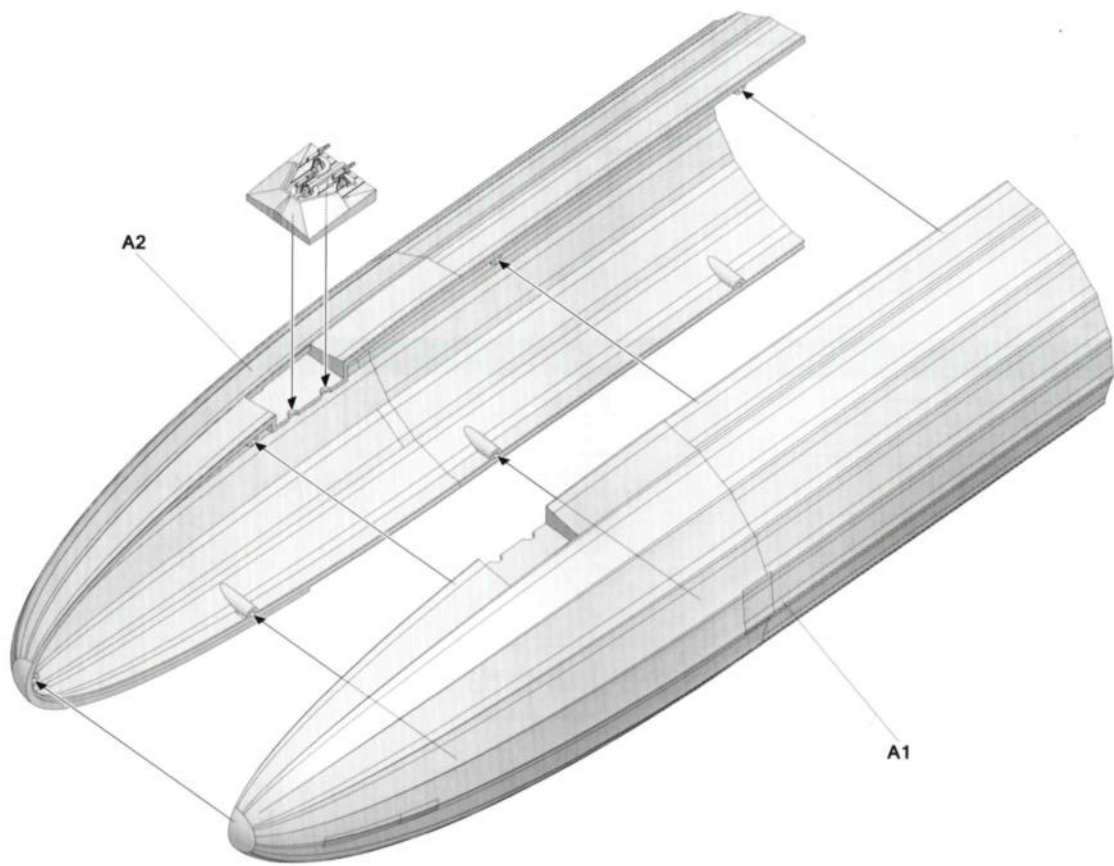
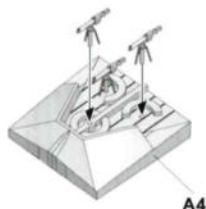


Decal

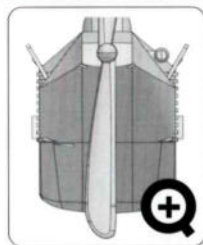
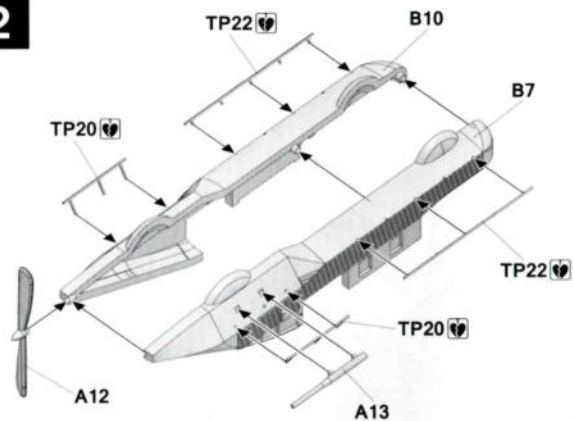
1



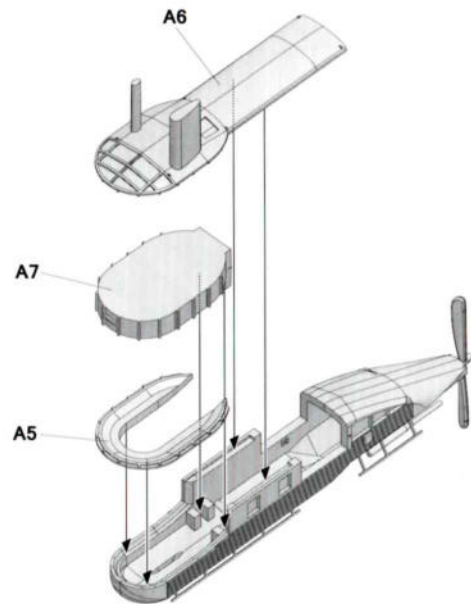
**Make 2**



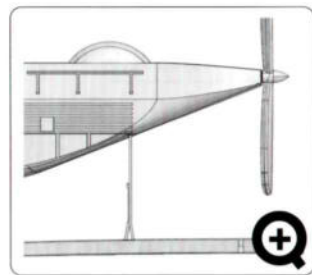
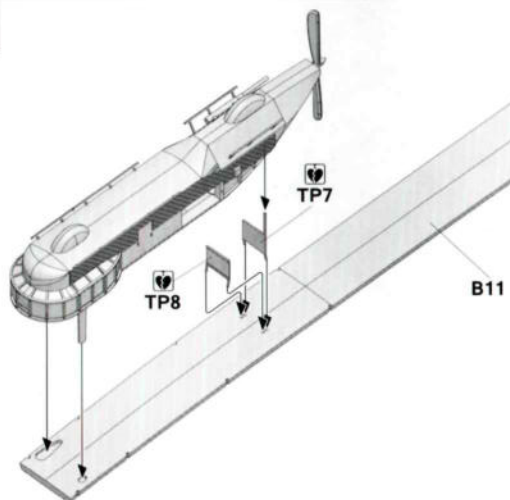
2



3

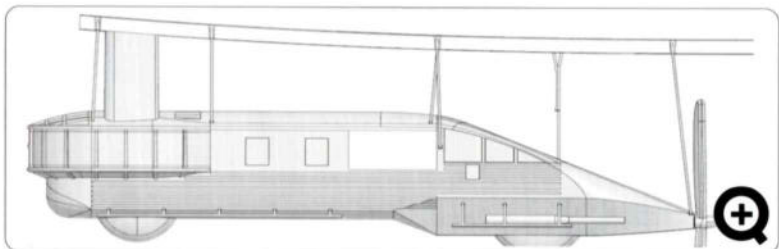
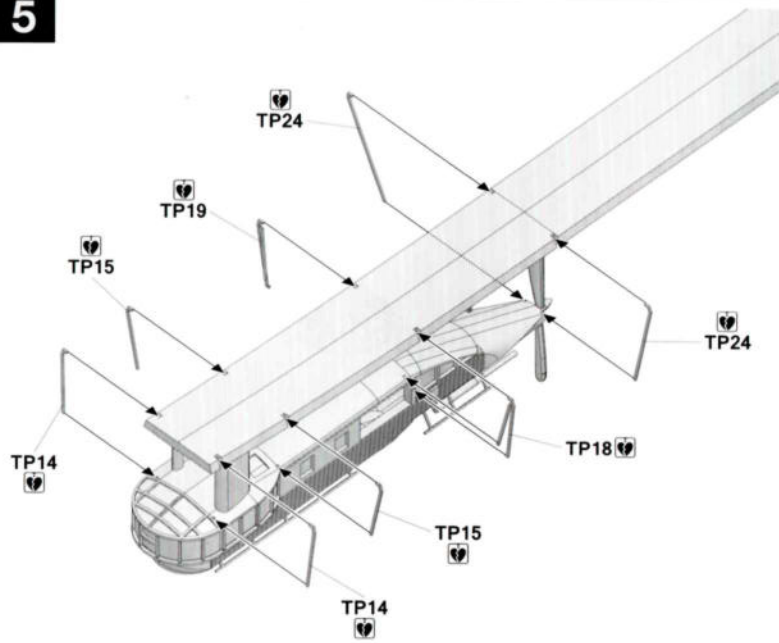


4

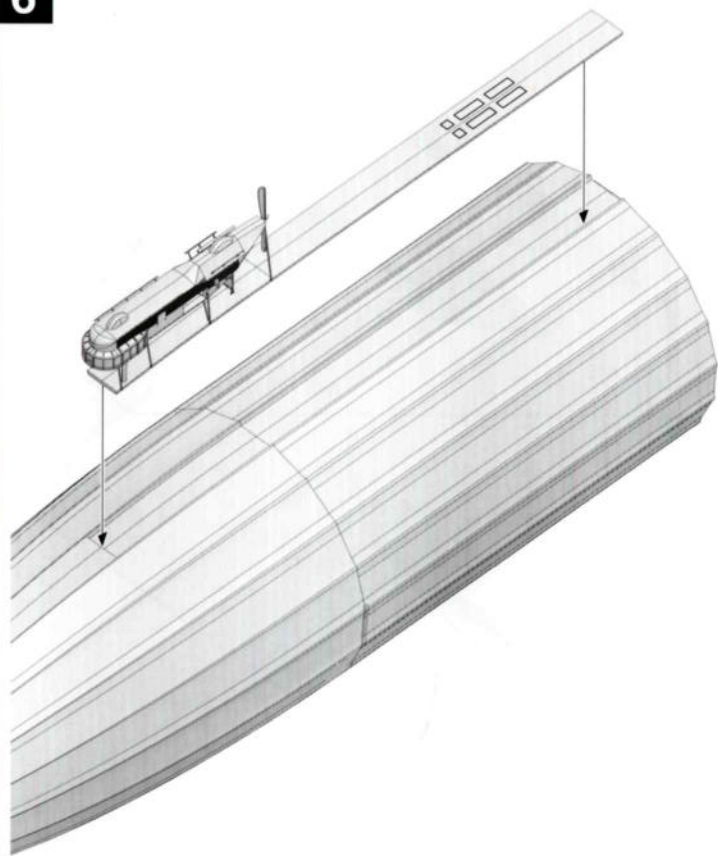




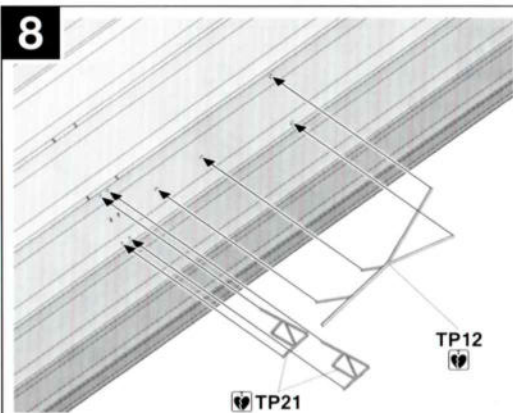
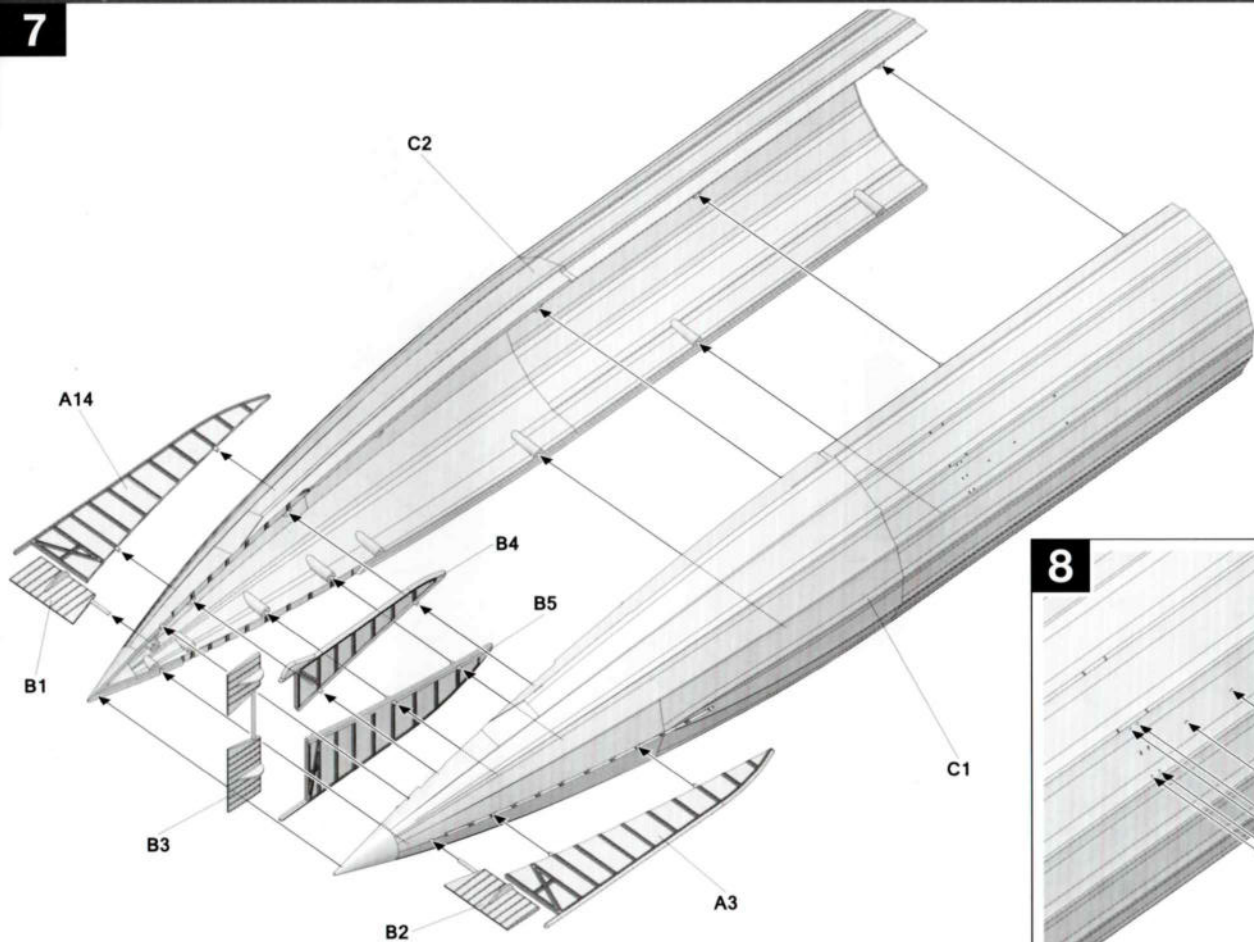
5



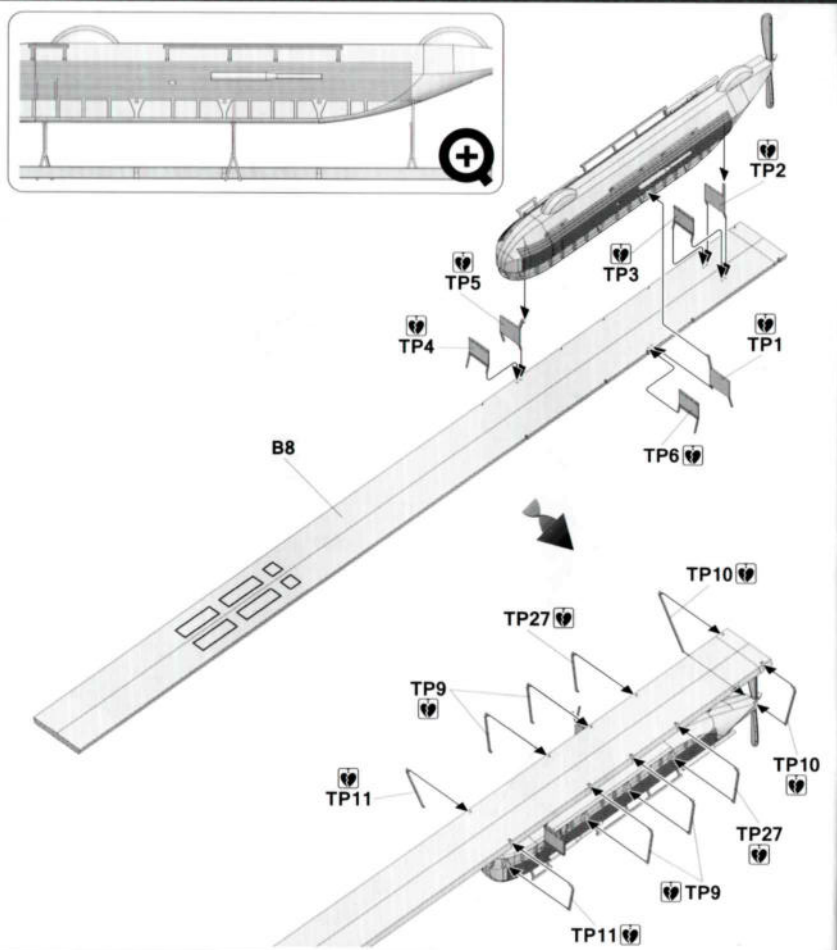
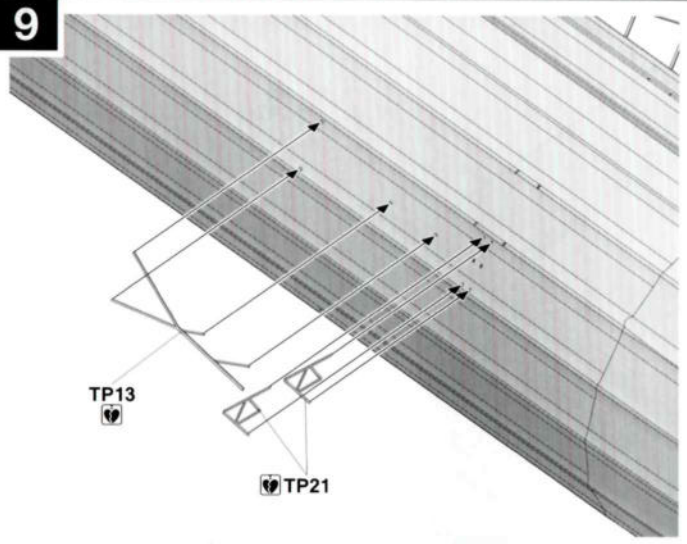
6



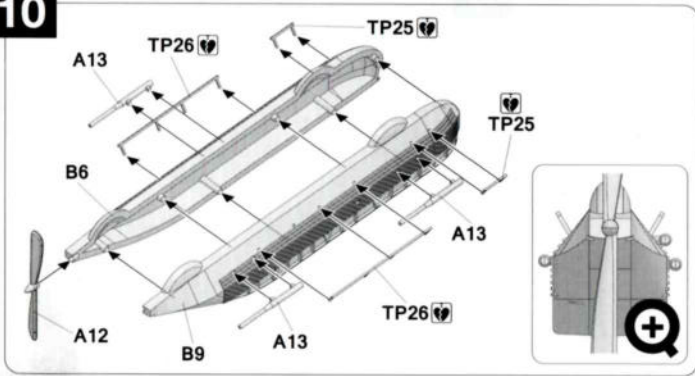
5



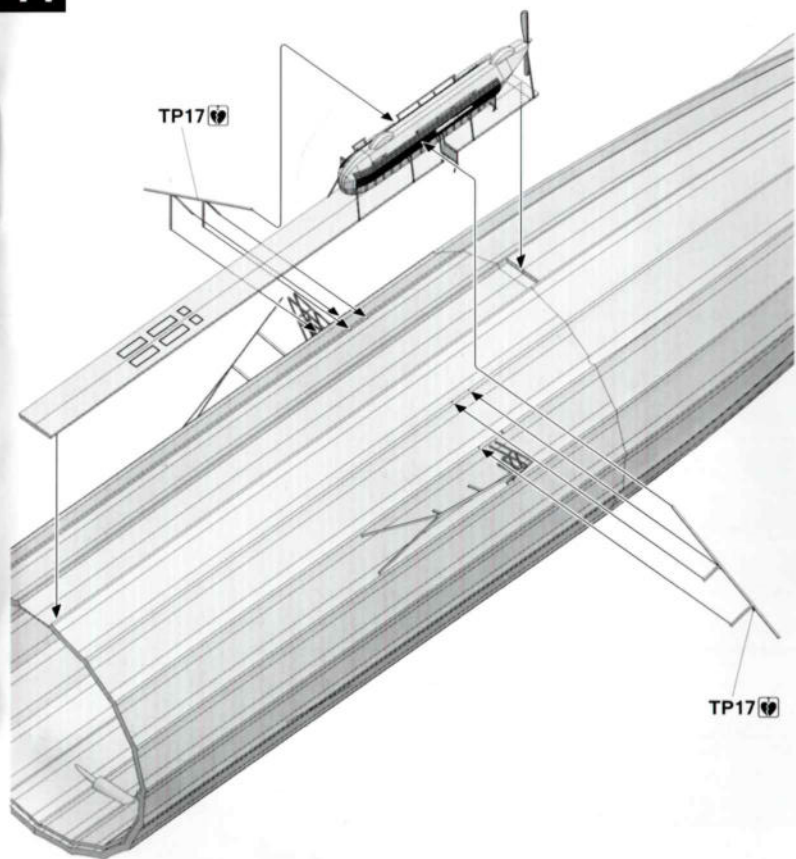
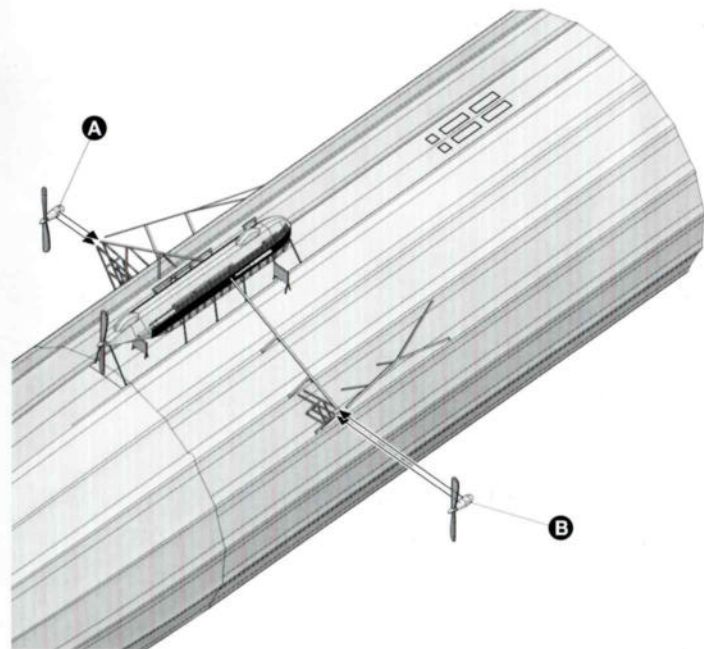
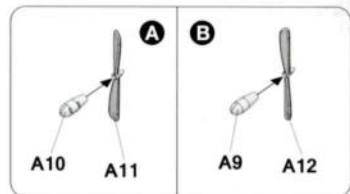
9



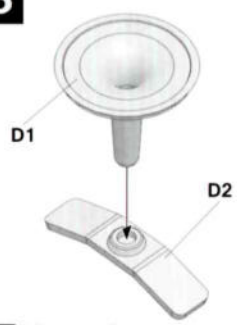
10



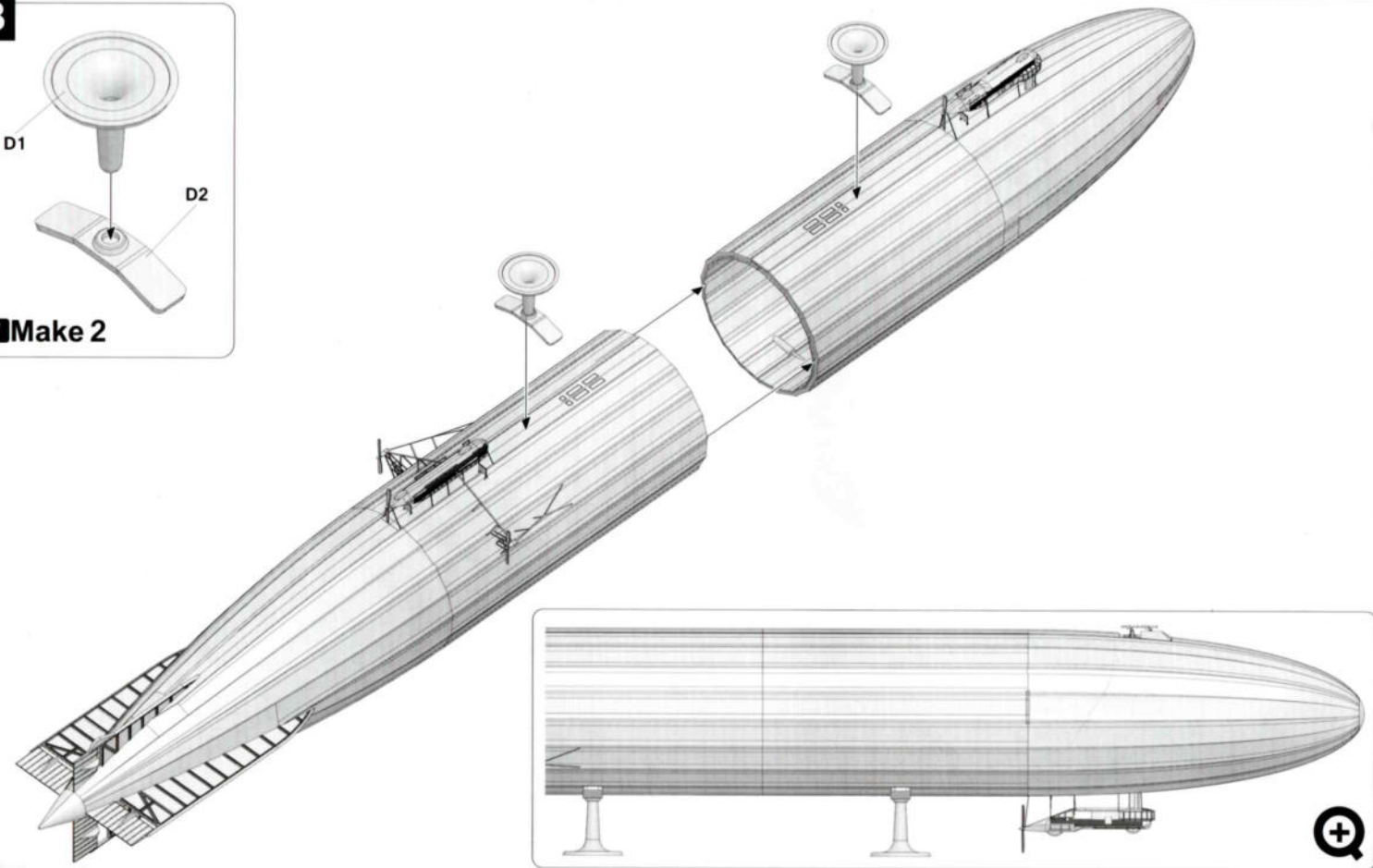


**11****12**

13



**Make 2**

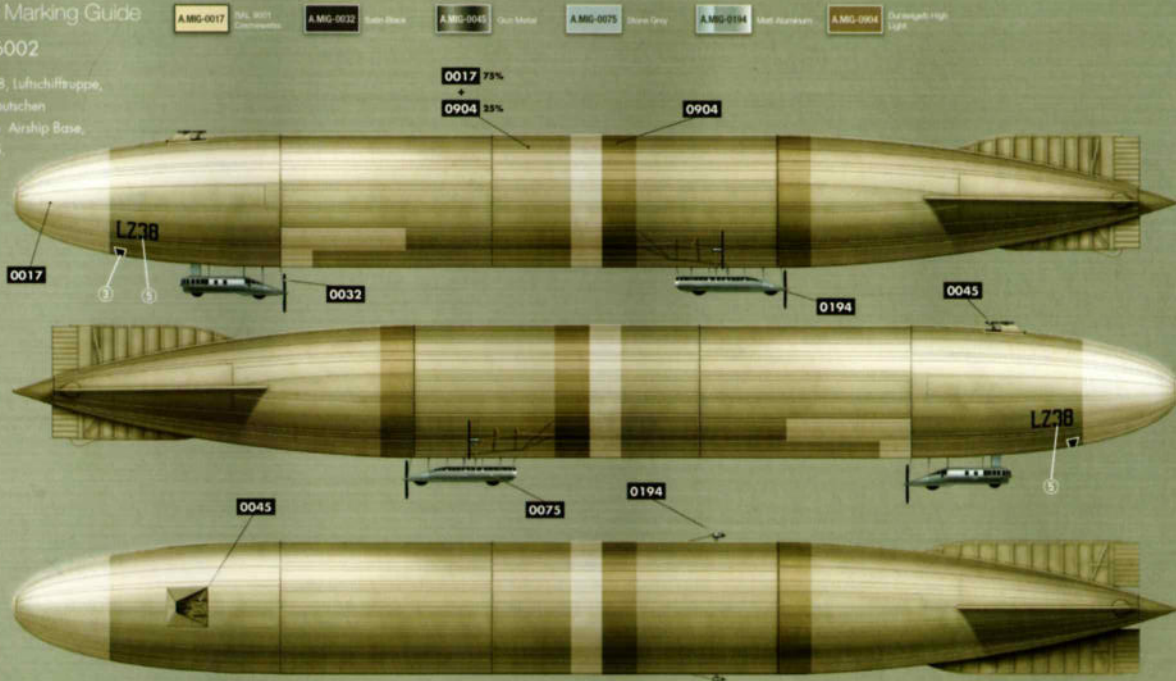


# ZEPPELIN P Class Airship

## Painting and Marking Guide

TAKOM Ref: 6002

Zepplin LZ38, LZ38, Luftschifftruppe,  
Fliegertruppe des deutschen  
Kaiserreiches, Evare: Airship Base,  
Belgium, May 1915.



### WEATHERING STEPS WITH AMMO PRODUCTS

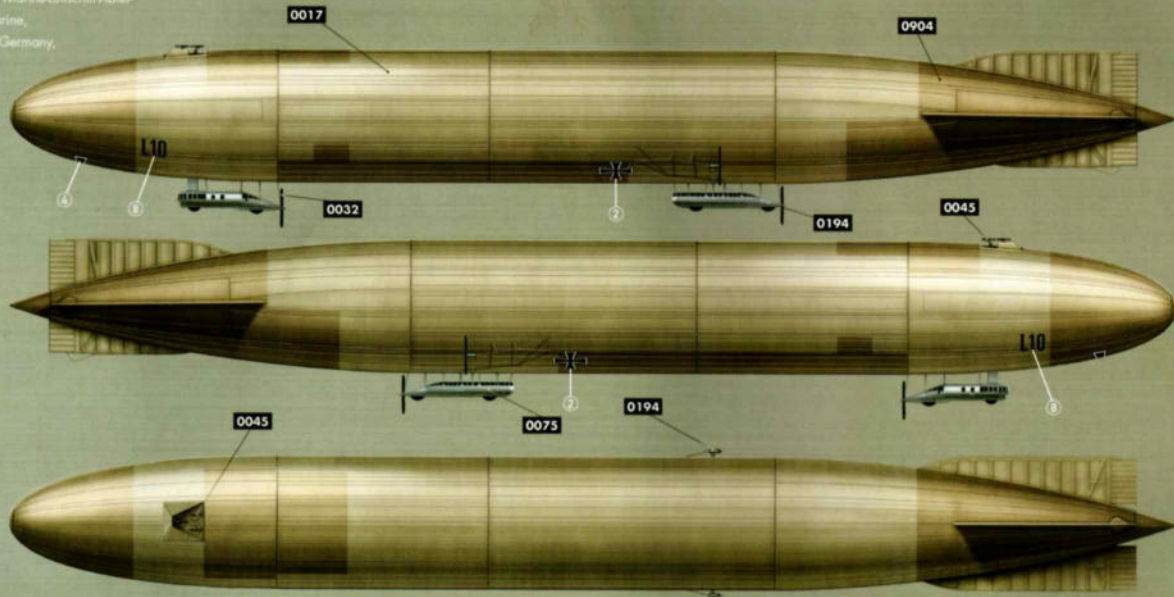
1 FILTER	2 CAMO FADING	3 DIRT SHADING	4 CAMO SHADING	5 DETAILS HIGHLIGHT	6 STREAKING
A.MG-1503 Ochre For Light Sand	A.MG-3521 Yellow Bone	A.MG-0853 Dirt Shader	A.MG-0855 Starship Filtz Shader	A.MG-3501 White	A.MG-1259 Starship Grime

## Painting and Marking Guide

**TAKOM** Ref: 6002

Zeppelin LZ40, L10, Marine-Luftschiff-Abteilung, Kaiserliche Marine, Hoge Airship Base, Germany, Summer 1915.

<b>A.MIG-0017</b> PVA, RCH1 Crimson Red	<b>A.MIG-0032</b> Sable Black	<b>A.MIG-0045</b> Cash Merlot	<b>A.MIG-0075</b> Bronze Gilt	<b>A.MIG-0194</b> Matt Aluminium	<b>A.MIG-0004</b> Starship's High Light
--	-------------------------------	-------------------------------	-------------------------------	----------------------------------	---



### WEATHERING STEPS WITH AMMO PRODUCTS

<b>1 FILTER</b> A.MIG-1503 Ochre For Light Sand	<b>2 CAMO FADING</b> A.MIG-3521 Yellow Bone	<b>3 DIRT SHADING</b> A.MIG-0853 Dirt Shader	<b>4 CAMO SHADING</b> A.MIG-0855 Starship Filth Shader	<b>5 DETAILS HIGHLIGHT</b> A.MIG-3501 White	<b>6 STREAKING</b> A.MIG-1259 Starship Grime
--	--	---	---	--	---

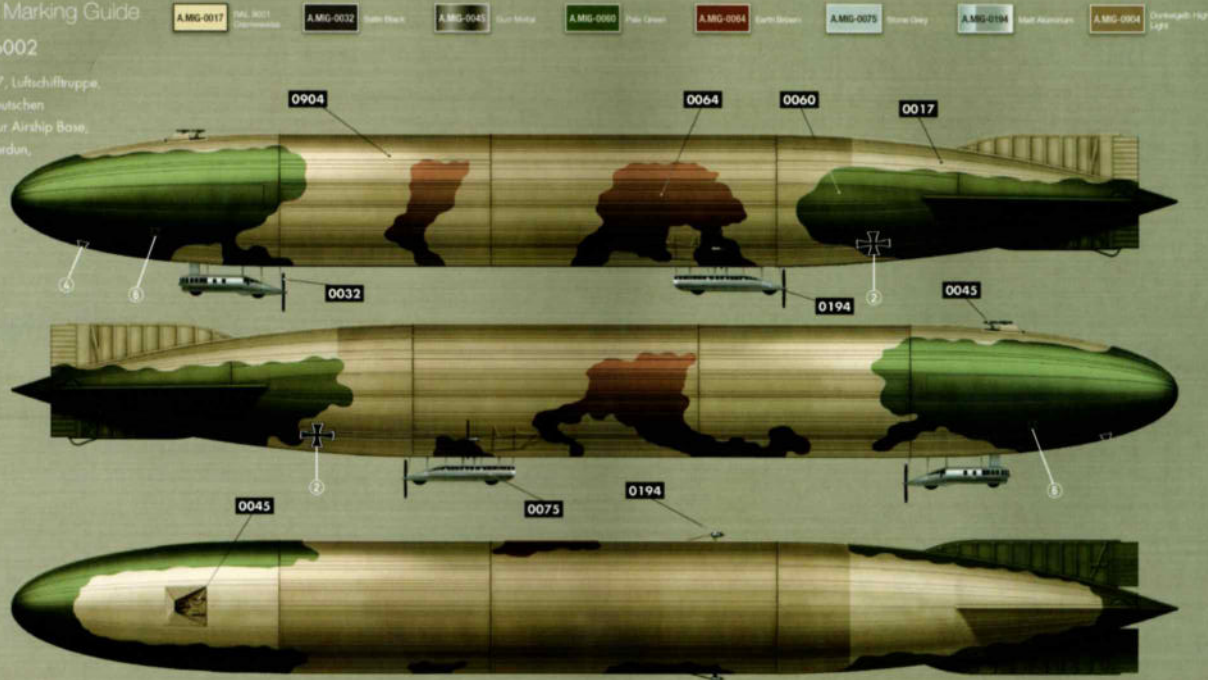


# ZEPPELIN P Class Airship

## Painting and Marking Guide

**TAKOM** Ref: 6002

Zepplin LZ47, LZ77, Luftschifftruppe,  
Fliegertruppe des deutschen  
Kaiserreiches, Namur Airship Base,  
Belgium, Battle of Verdun,  
February 1916.



### WEATHERING STEPS WITH AMMO PRODUCTS

#### 1 FILTER

A.MIG-1503 Olive For Light Sand

#### 2 CAMO FADING

A.MIG-3521 Yellow Bone

#### 3 DIRT SHADING

A.MIG-0853 Dirt Shader

#### 4 CAMO SHADING

A.MIG-0855 Starship Filt Shader

#### 5 DETAILS HIGHLIGHT

A.MIG-3601 White

#### 6 STREAKING

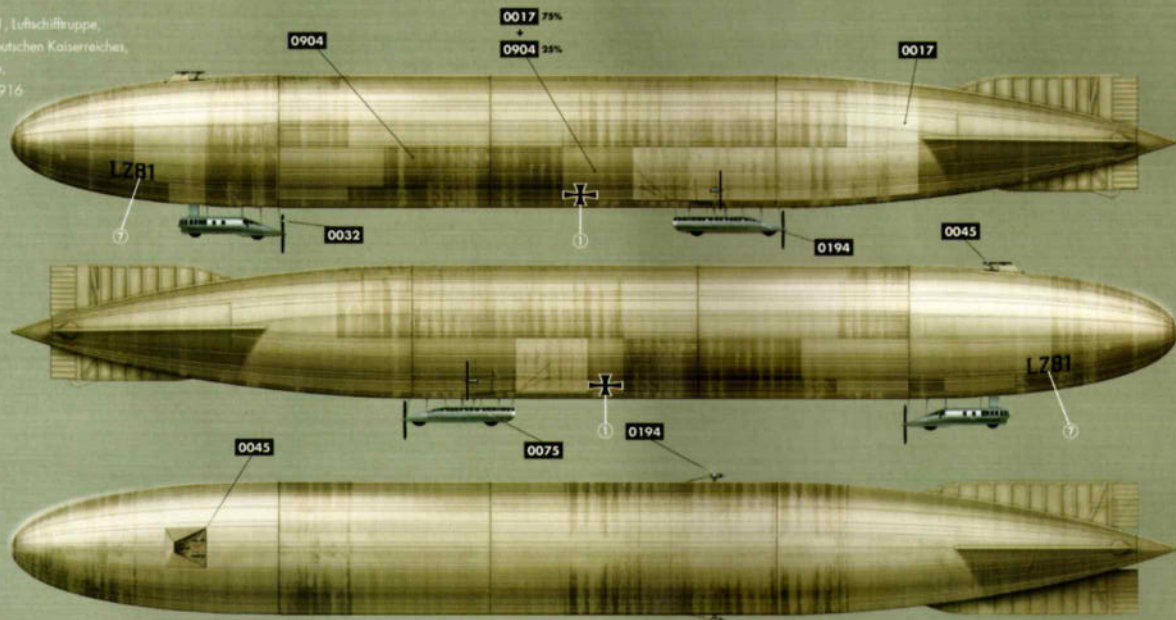
A.MIG-1259 Starship Grime



## Painting and Marking Guide

**TAKOM** Ref: 6002

Zeppelin LZ51, LZ81, Luftschifftruppe,  
 Fliegertruppe des deutschen Kaiserreiches,  
 Yambol Airship Base,  
 Bulgaria, Summer 1916



### WEATHERING STEPS WITH AMMO PRODUCTS

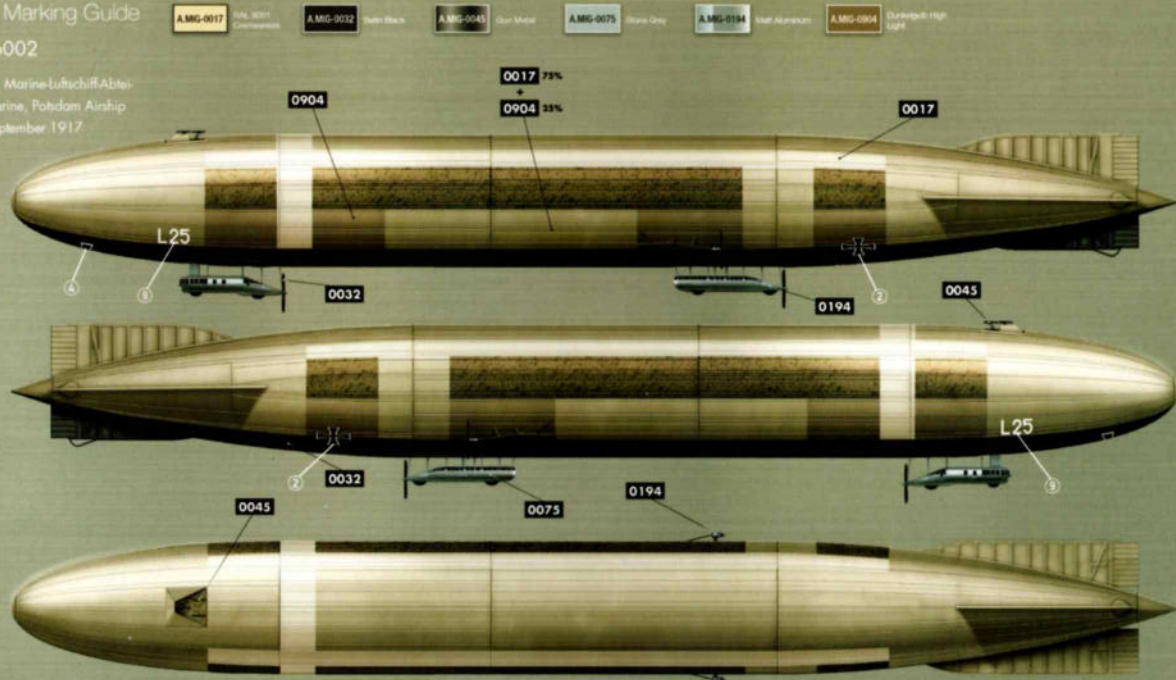
- |   |   |  |   |   |  |
|---|---|--|---|---|--|
| <b>1 FILTER</b><br>AMMO-1503 Oxide For Light Sand | <b>2 CAMO FADING</b><br>AMMO-3521 Yellow Bone | <b>3 DIRT SHADING</b><br>AMMO-0853 Dirt Shader | <b>4 CAMO SHADING</b><br>AMMO-0855 Starship Filt Shader | <b>5 DETAILS HIGHLIGHT</b><br>AMMO-3501 White | <b>6 STREAKING</b><br>AMMO-1259 Starship Grime |
|---|---|--|---|---|--|

# ZEPPELIN P Class Airship

## Painting and Marking Guide

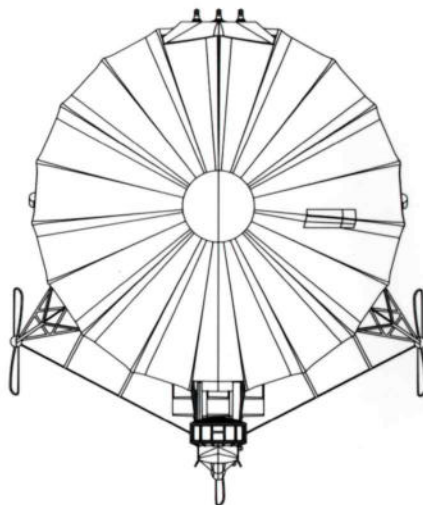
TAKOM Ref: 6002

Zeppelin LZ58, LZ5, Marine-Luftschiff-Abteilung, Kaiserliche Marine, Potsdam Airship Base, Germany, September 1917.



### WEATHERING STEPS WITH AMMO PRODUCTS

1 FILTER	2 CAMO FADING	3 DIRT SHADING	4 CAMO SHADING	5 DETAILS HIGHLIGHT	6 STREAKING
AMMO-1583 Oxide For Light Sand	AMMO-3521 Yellow Bone	AMMO-0853 Dirt Shader	AMMO-0855 Starship Filt Shader	AMMO-3501 White	AMMO-1259 Starship Grime



You can find TAKOM on Facebook.com