

MIRAGE 2000C

MULTI-ROLE COMBAT FIGHTER

ミラージュ 2000C [フランス空軍 マルチロールファイター]



1/48 Mirage 2000C

The Mirage 2000C was the primary version of the entire Mirage 2000 family. It is a single-seat, all weather supersonic interceptor developed as a successor of the Mirage III for air defense and ground attack missions.

The production aircraft first flew in late 1982 and entered service with the French Air Force in 1984. Besides the ALA, the Brazilian Air Force which purchased 10 retired French Mirage 2000Cs in 2005 is the aircraft's only other operator. Primary armaments of the fighter include the Super 530 and Magic air-to-air missiles. It is also equipped with 2 built-in DEFA 554 cannons and is able to carry air-to-ground weapons such as gravity bombs, laser-guided bombs and unguided rocket pods.

As the first model of the highly successful Mirage 2000 series, the Mirage 2000C has undergone numerous updates to maintain its potency. A major upgrade occurred in 1987 when Radar Doppler Impulse (RDI), a radar system specially developed to improve the Mirage's air superiority, interception and missile capability was introduced to the late production aircraft (serial no. 38-124).

Continual development based on the Mirage 2000C has resulted in several export versions that witnessed huge response in the international market. Today, the Mirage 2000 family is the front line air superiority aircraft of many air forces around the world.

制空戦闘と地上攻撃を担うミラージュIIIの後継機として開発されたのがミラージュ 2000 シリーズで、その量産機となったのが、全天候型 超音速単座戦闘機のC型でした。1982年の初飛行に成功した後、1984年よりフランス空軍への実戦配備が開始され、それ以外に2005年に同空軍の退役機10機を導入したブラジル空軍が唯一、C型を配備しました。

シュペル 530やR550 マジック ミサイルなど空対空兵装に加え、固定火器であるDEFA 554 30mm機関砲 2門に、航空爆弾や、レーザー誘導爆弾、ロケット弾ポッドなどの各種対地攻撃兵装も搭載可能とするミラージュ 2000の中でも、最も成功した初期タイプのC型には、その高性能を維持するために様々な改良が施され、1987年、制空性能の向上を図り後期生産タイプとなる38-124号機以降の機体に取り付けられたRDI (= ドップラー/インパルス)レーダーは、より高度な迎撃/ミサイル運用性能をミラージュ 2000にもたらしました。

そして、C型をベースに行われた絶え間ない開発は、国際市場で大きい反響を呼んだ輸出仕様機に引き継がれ、現在ミラージュ 2000 ファミリーは、世界中の多くの空軍で、主力制空戦闘機として活躍しています。



Drill



Remove



2 Set



Bend



Optional



Decal



Super Glue



Fill Hole



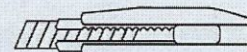
No Cement



Be Careful

TOOLS RECOMMENDED

Modeling Knife



Cement



Side Cutter



Tweezers

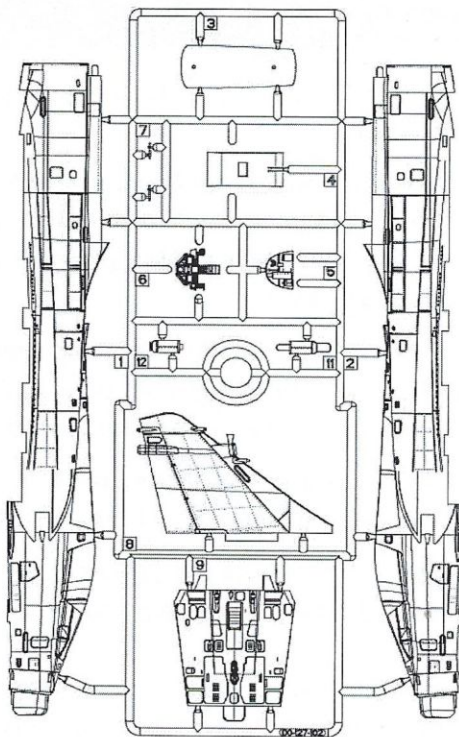


CAUTION

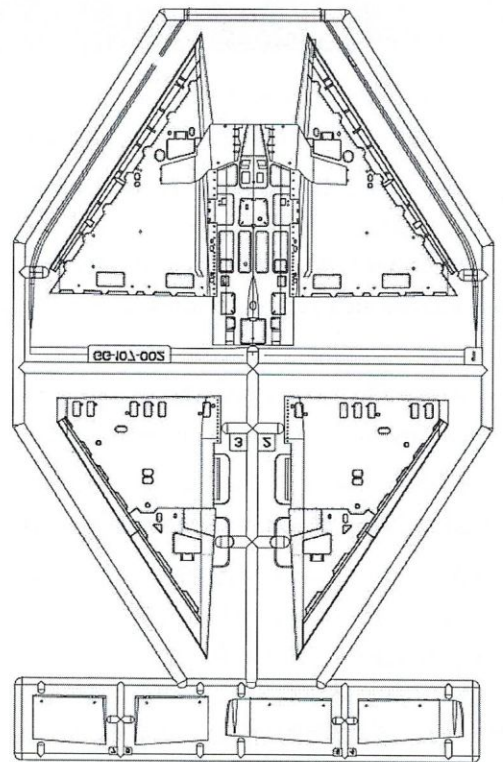
- *Read carefully and fully understand the instructions before commencing assembly.
- *Keep out of reach of children. Children must not be allowed to put any parts in their mouths, or pull plastic bag over their heads.
- *When using adhesives and paints, please make sure not to use them in closed room or near the fire.
- *When assembling this kit, tools including knives are used. Extra care should be taken to avoid injury.

WARNING: CONTAIN SMALL PARTS NOT FOR CHILDREN UNDER 14 YEARS OF AGE.

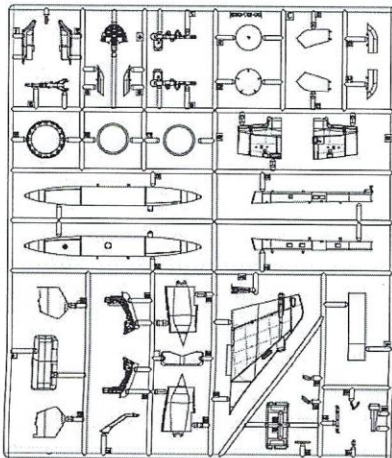
A



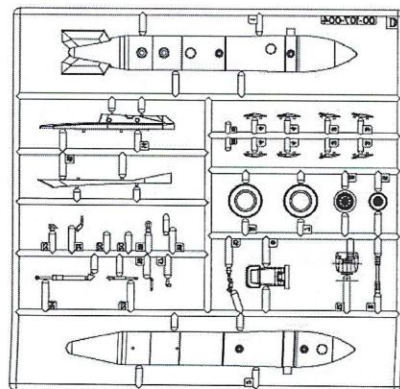
B



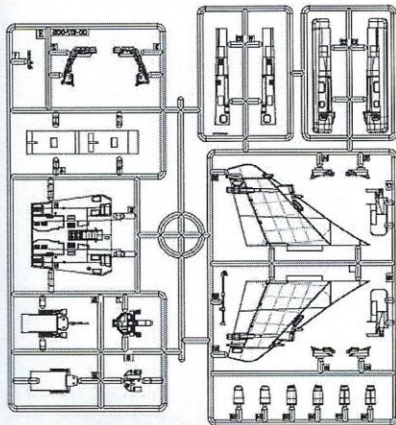
C



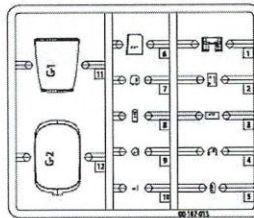
Dx2



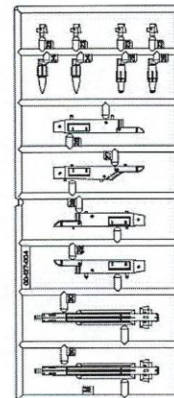
E



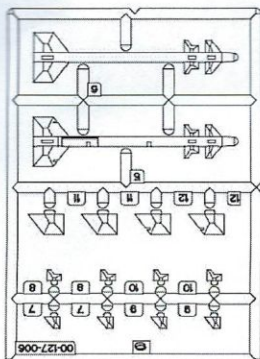
F



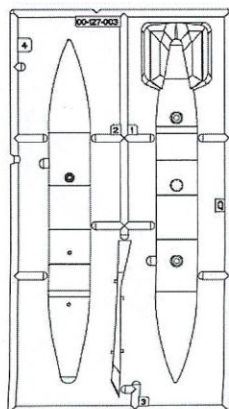
Mx2



Ox2



Qx2



AFTERMARKET SERVICES CARD

When requesting replacement parts, please take or send this form to your local dealer so that the parts required can be correctly identified. Please note that specifications and availability are subject to change without notice.

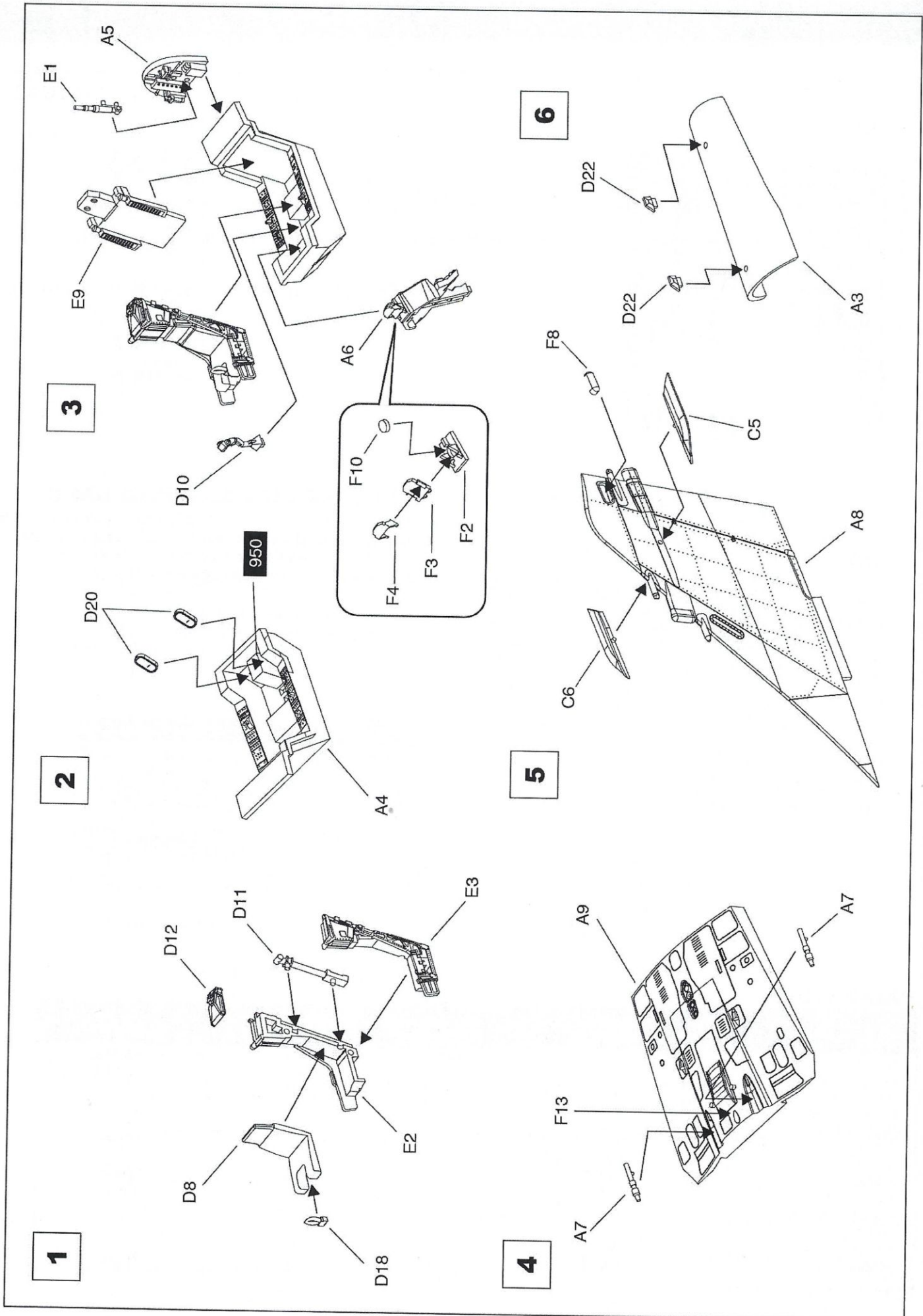
For more information, please contact services@kineticmodel.com or visit <http://www.kineticmodel.com> for latest information.

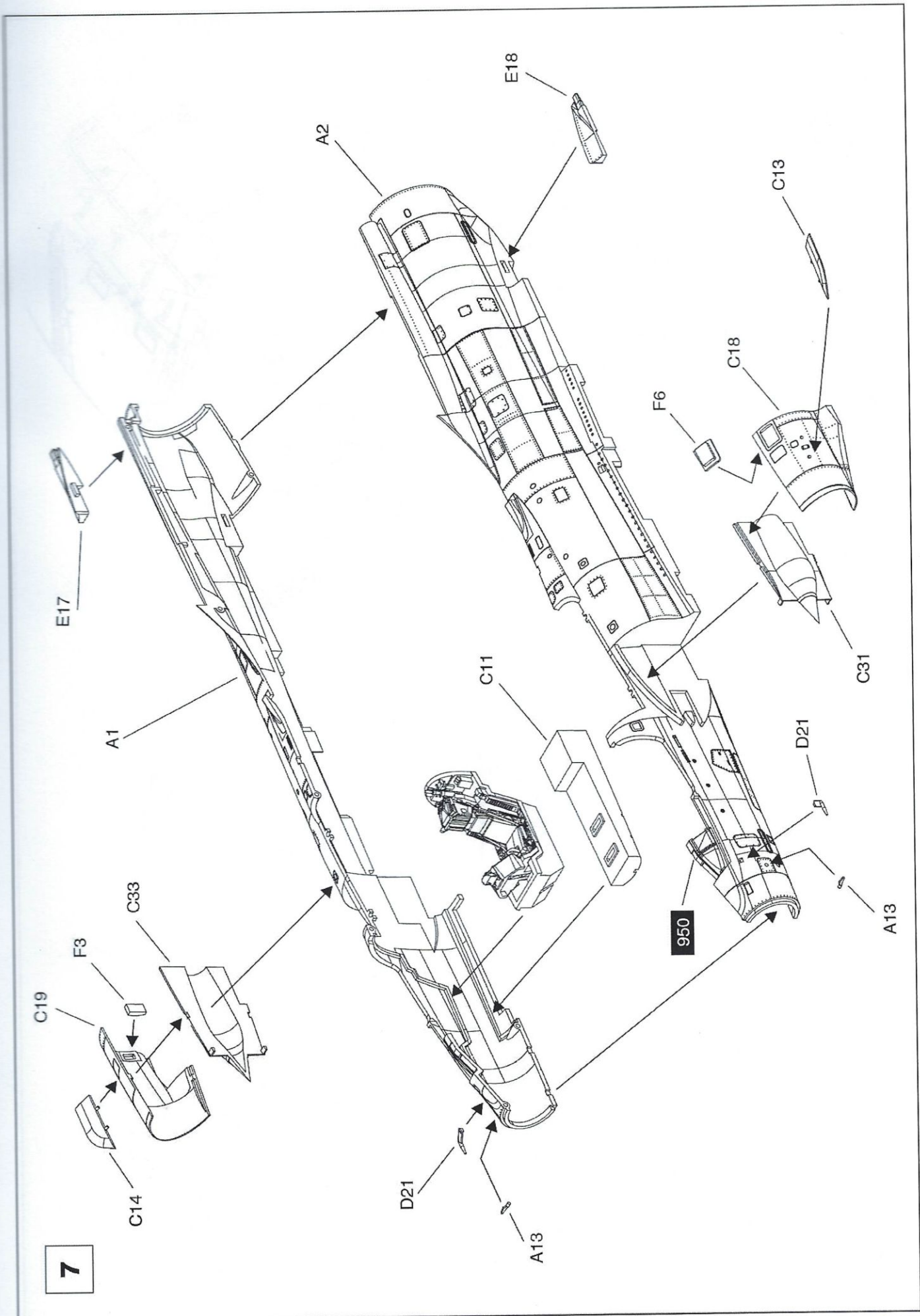
PARTS CODE	ITEM K48042
00-107-002	B Wings Parts
00-107-003	C Body Parts
00-107-004	D Fuel Tank, Wheels
00-107-005	E Ejection Seats, ECM
00-107-012	A Fueslage
00-107-013	F CLEAR PARTS
00-127-003	Q Export version fuel tank
00-127-004	M MICA air to air missile
00-127-006	O Magic II air to air missile
01-107-48042	DECAL
03-107-48042	Instruction Manual

PAINT INDEX

COLOR	VALLEJO MODEL COLOR	MODEL AIR	GSI CREOS MR. COLOR	ITALERI ARCYLICPAINT
FLAT BLACK	950	057	33	4768AP
GLOSS WHITE	951	001	1	4696AP
CLEAR RED	934	-	47	-
CLEAR YELLOW	937	-	48	-
CLEAR GREEN	936	-	138	-
SILVER	790	063	8	4678AP
GREEN	988	-	-	-
FLAT RED	957	-	327	4606AP
FLAT YELLOW	953	-	4	4721AP
FS 36231 DARK SEA GRAY	991	-	317	-
FRENCH AIR FORCE BLUE	900	-	-	-
PALE GREYBLUE	907	-	338	-
FS 36300 GRAY	990	-	308	4762AP

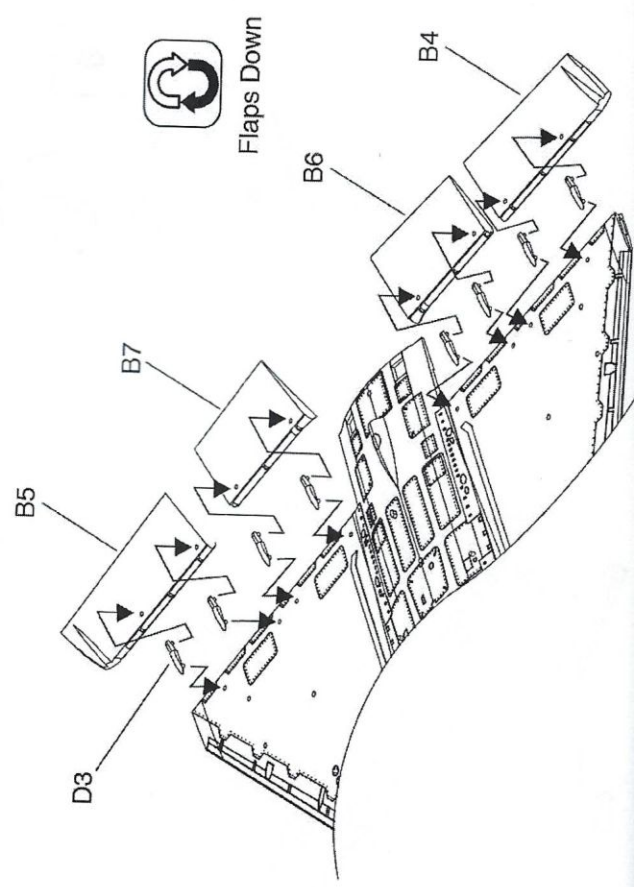
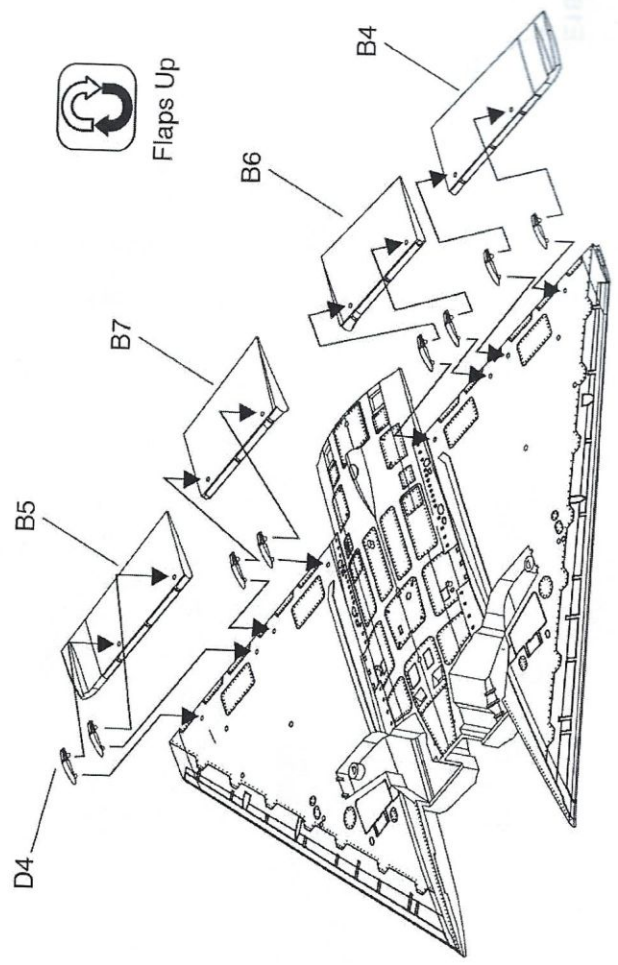
950 denotes Vallejo Model Color



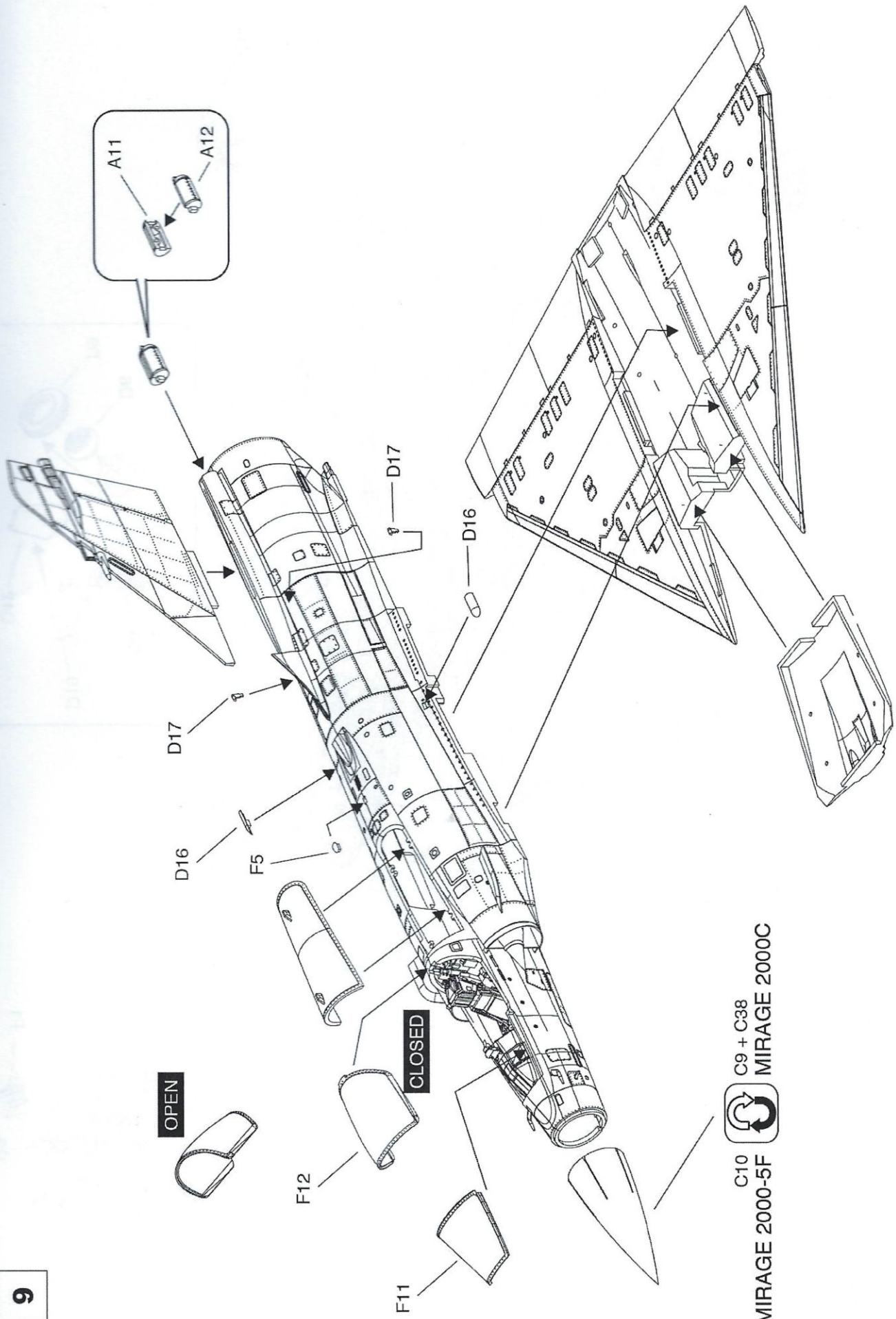


7

8

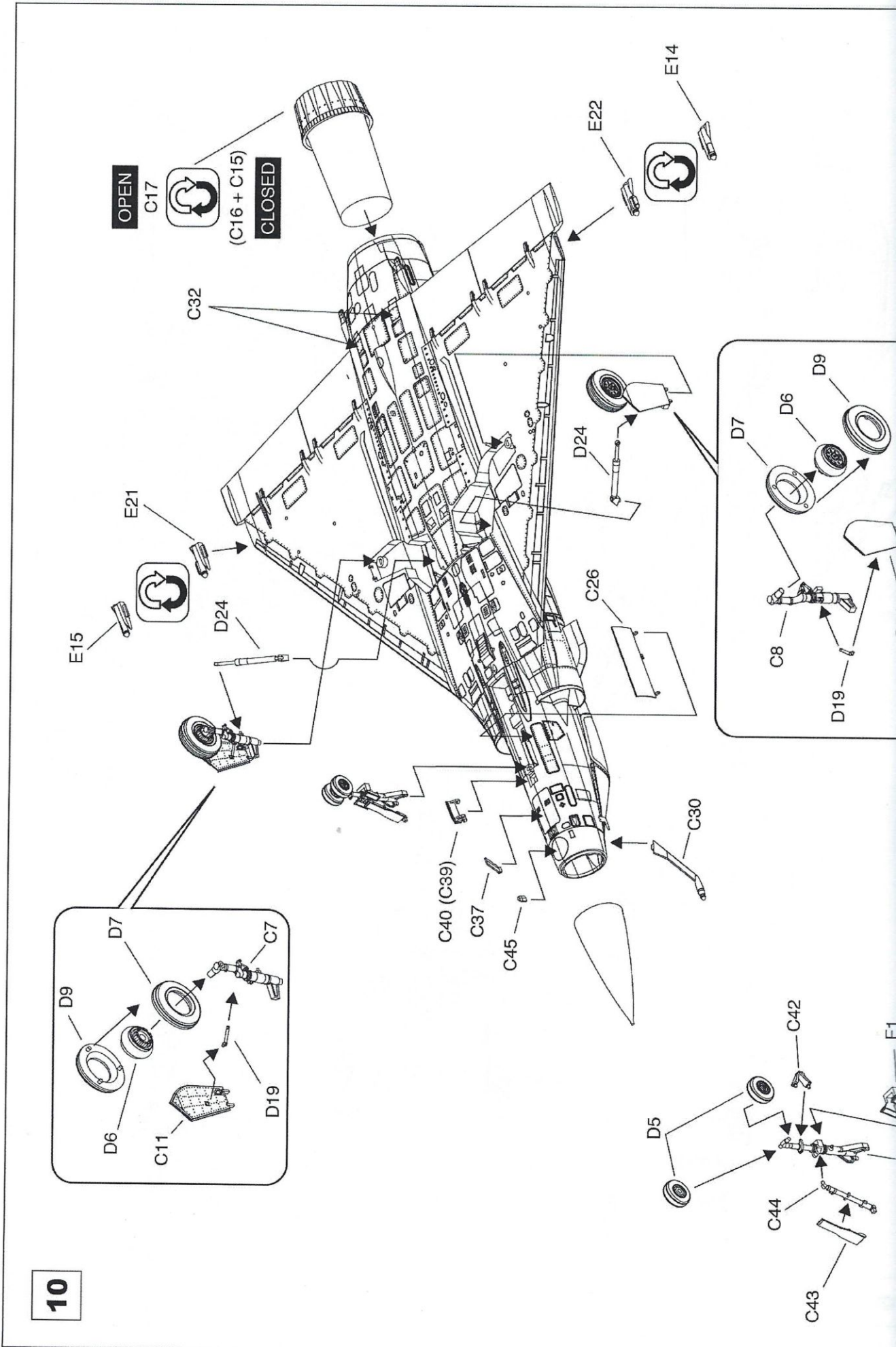


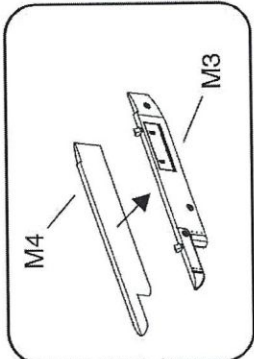
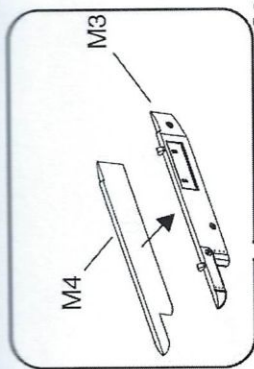
9



C10
MIRAGE 2000-5F

C9 + C38
MIRAGE 2000C





D14

D15

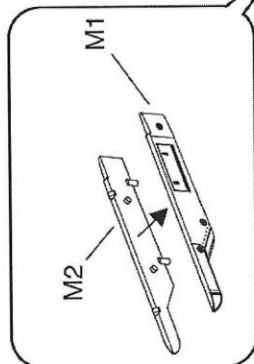
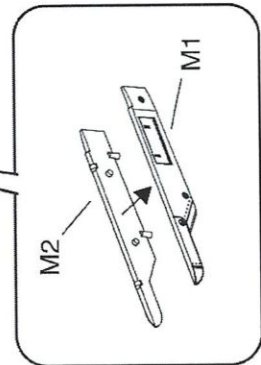
C26

C27

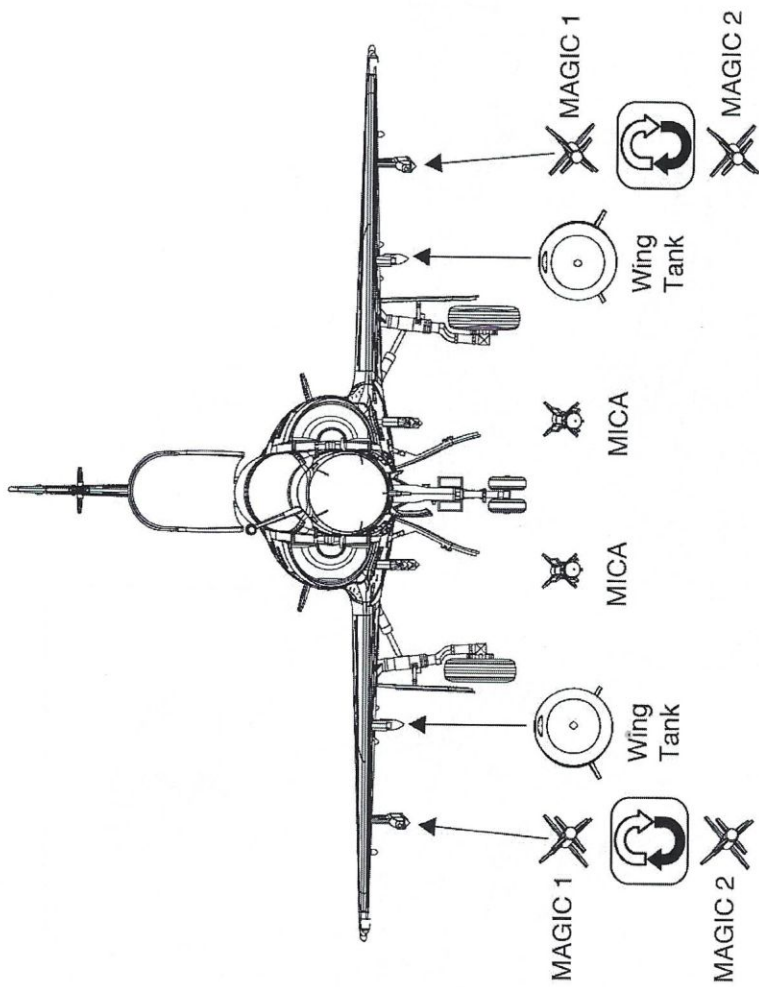
C34

D14

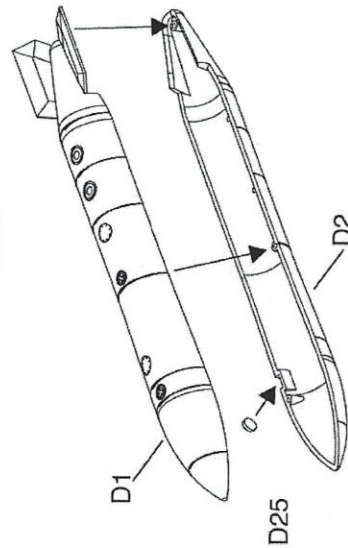
D15



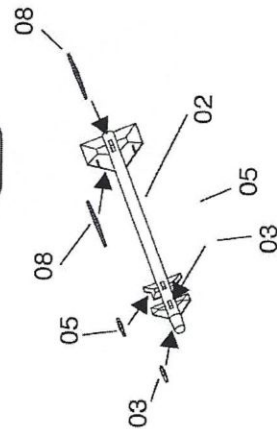
11



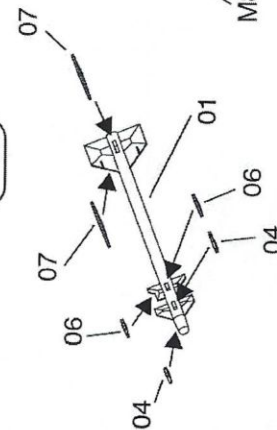
Wing Tank x2



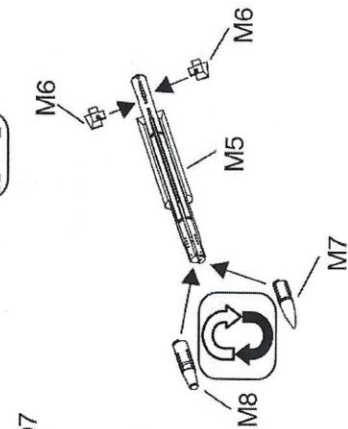
Migir 1 x2



Migir 2 x2



Mica x4

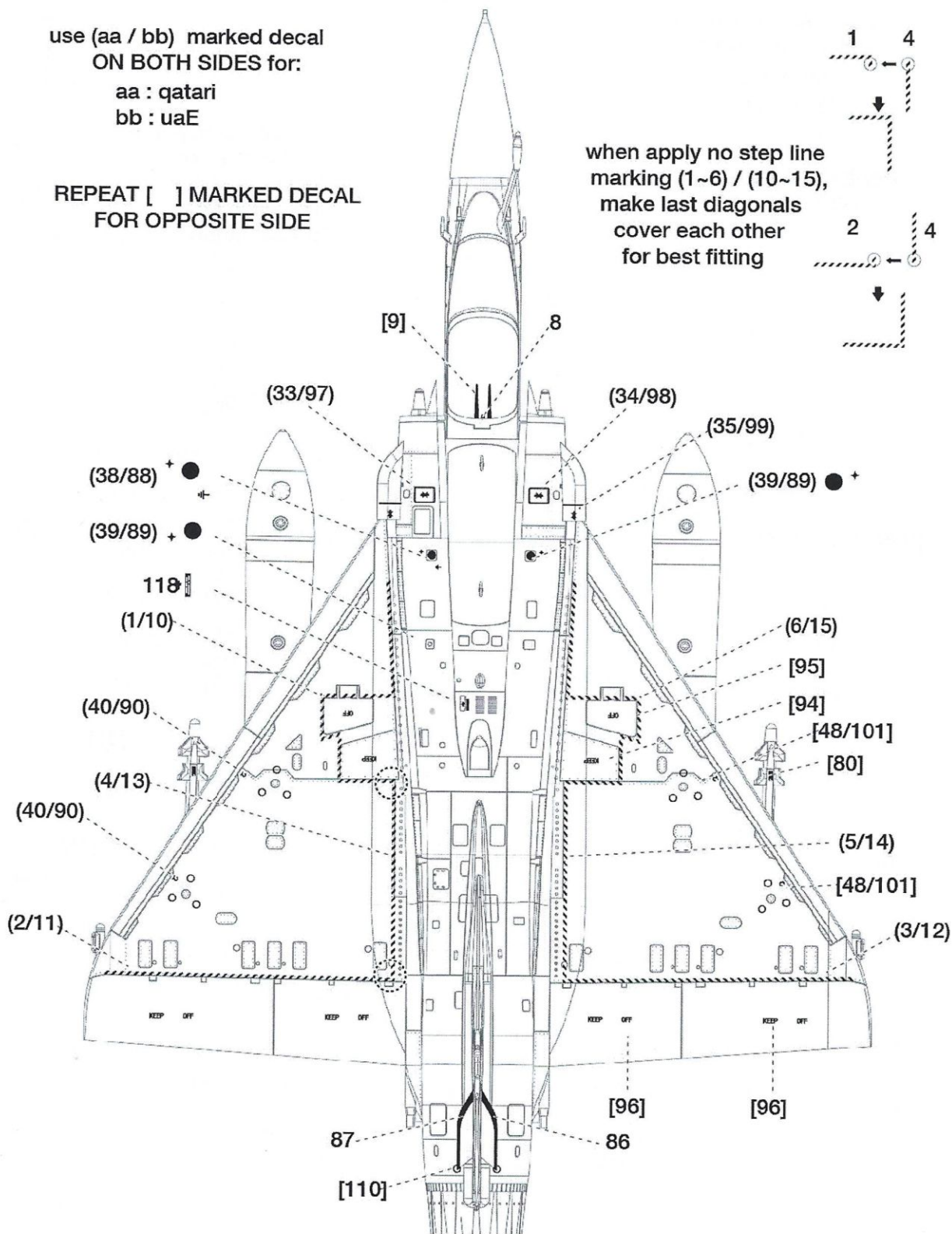
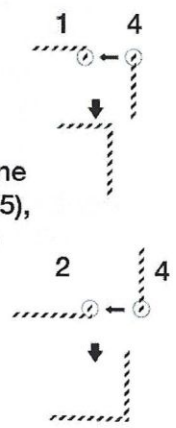


Common Decal Placement: Top view for Qatari / UAE Aircraft

use (aa / bb) marked decal
ON BOTH SIDES for:
aa : qatari
bb : uaE

REPEAT [] MARKED DECAL
FOR OPPOSITE SIDE

when apply no step line
marking (1~6) / (10~15),
make last diagonals
cover each other
for best fitting



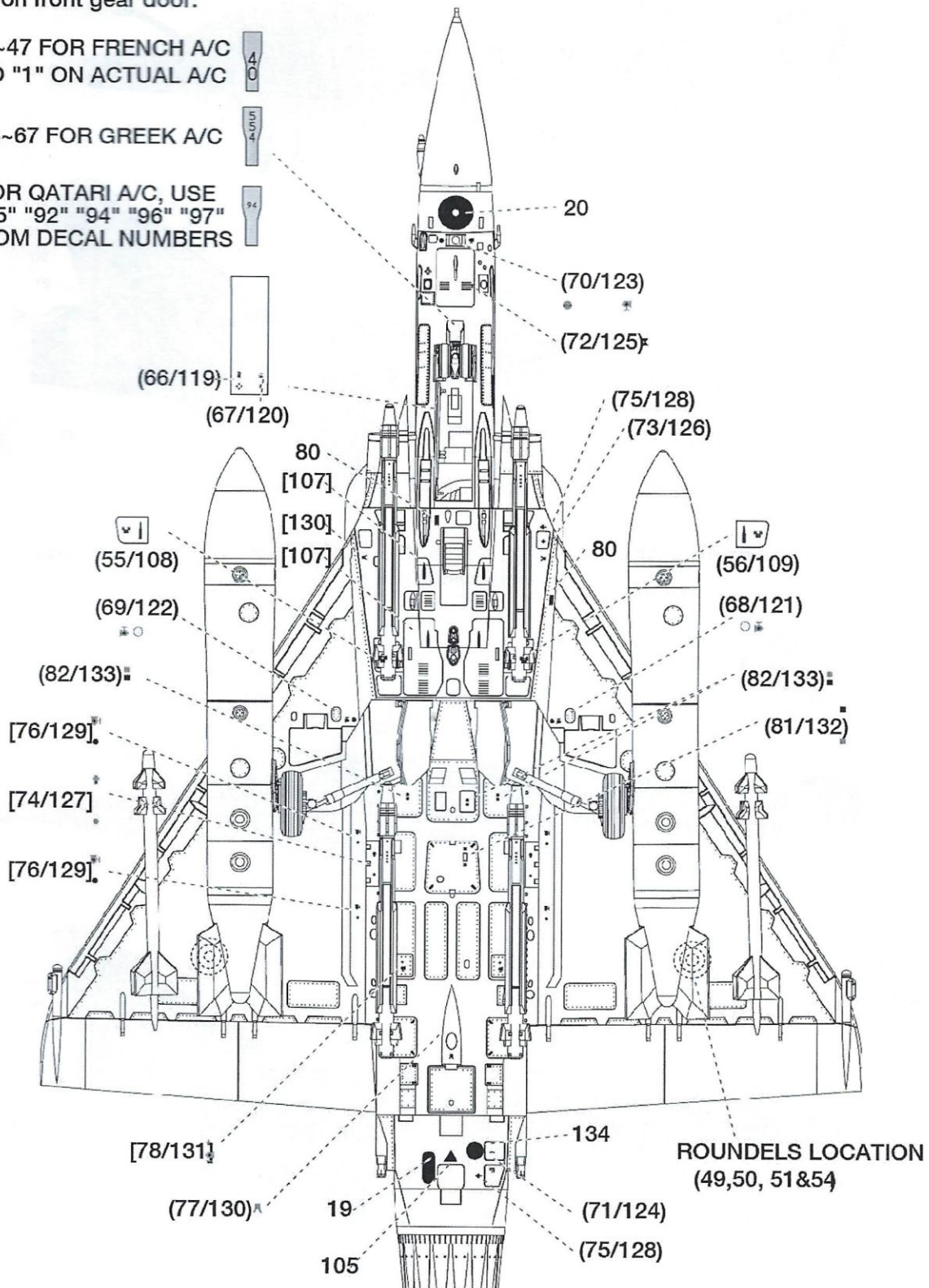
Common Decal Placement: Bottom view for all aircraft

aircraft numbers
on front gear door:

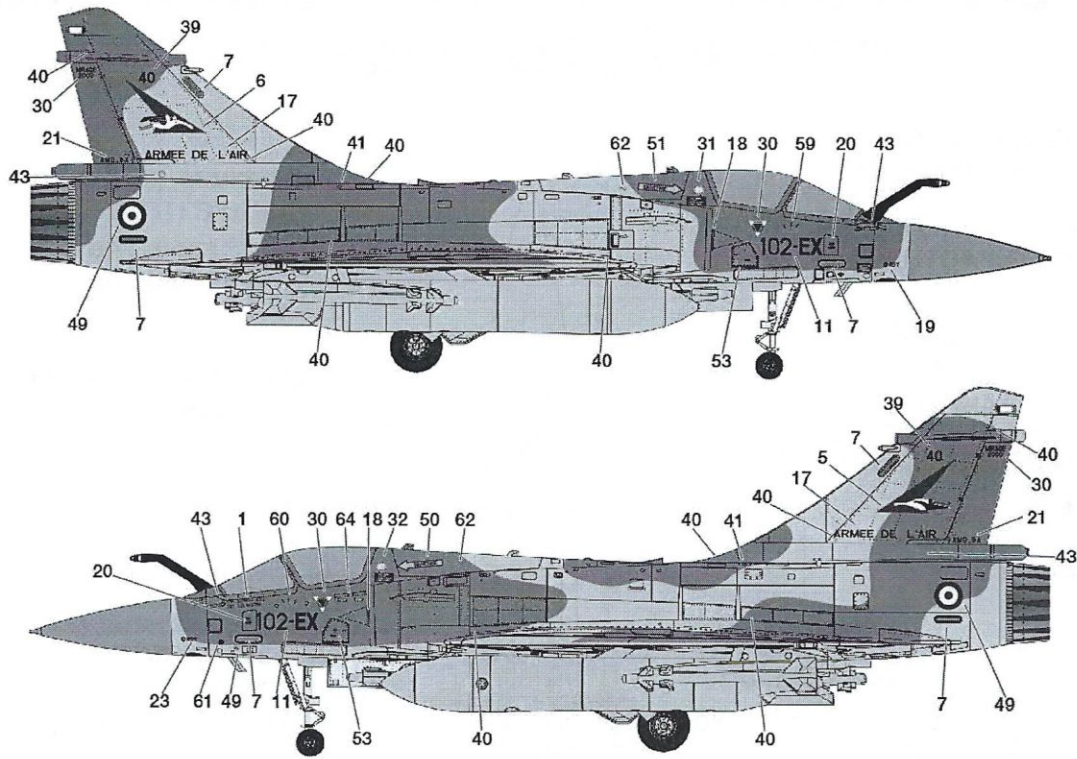
44~47 FOR FRENCH A/C
NO "1" ON ACTUAL A/C

63~67 FOR GREEK A/C

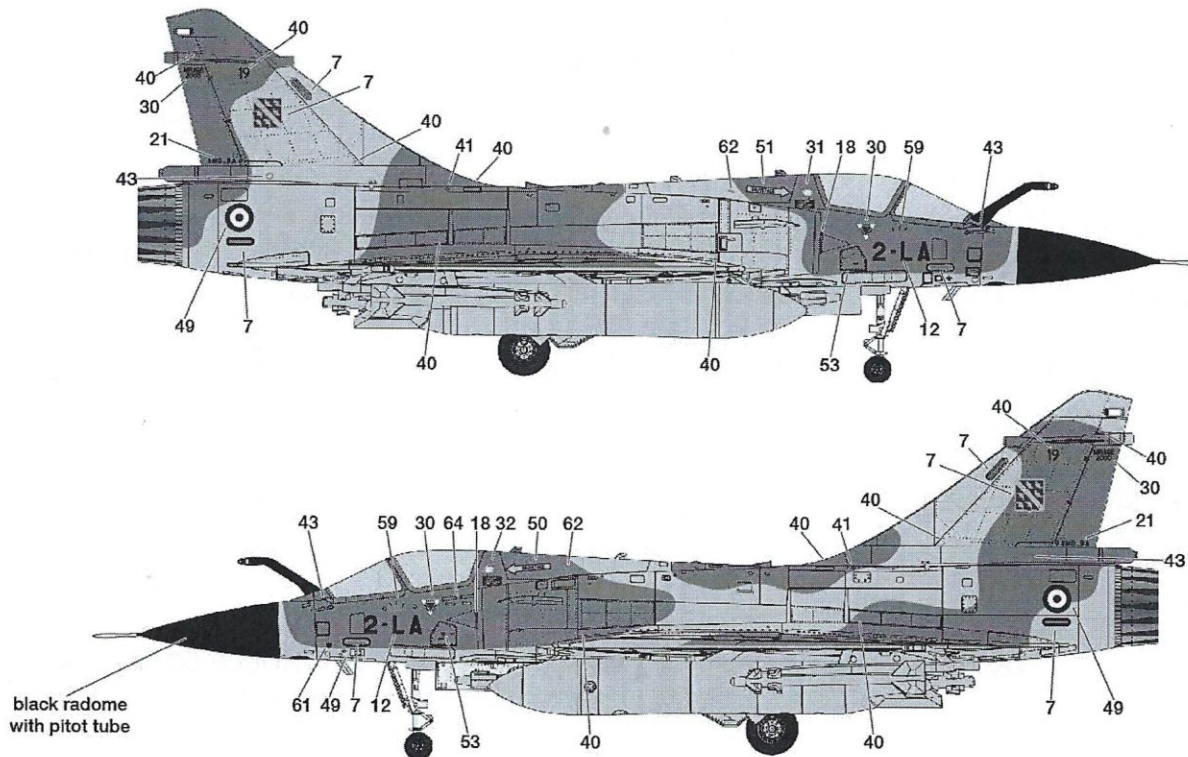
FOR QATARI A/C, USE
"85" "92" "94" "96" "97"
FROM DECAL NUMBERS



1. Mirage 2000-5F, French Air Force, EC 01/002 "CIGOGNES", Souda Air Base, Crete. Opération Harmattan, 2011.

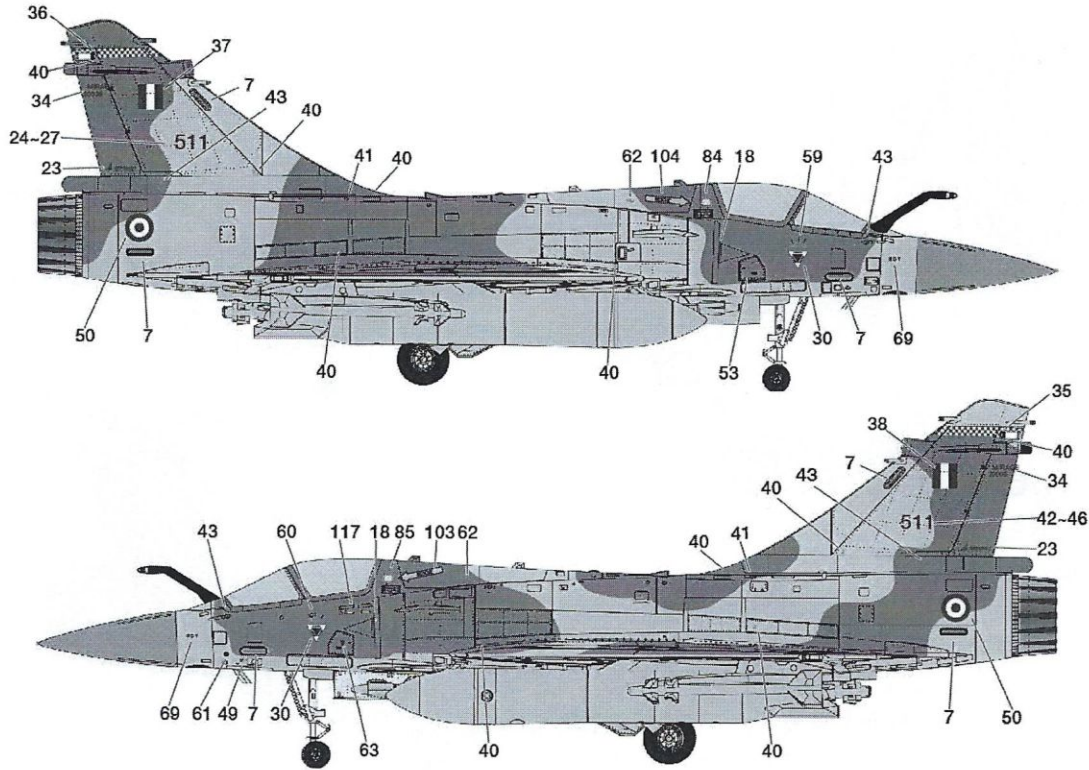


2. Mirage 2000C, French Air Force, EC 03/002 "Alsace", Dijon Air Base. First batch, 1985.

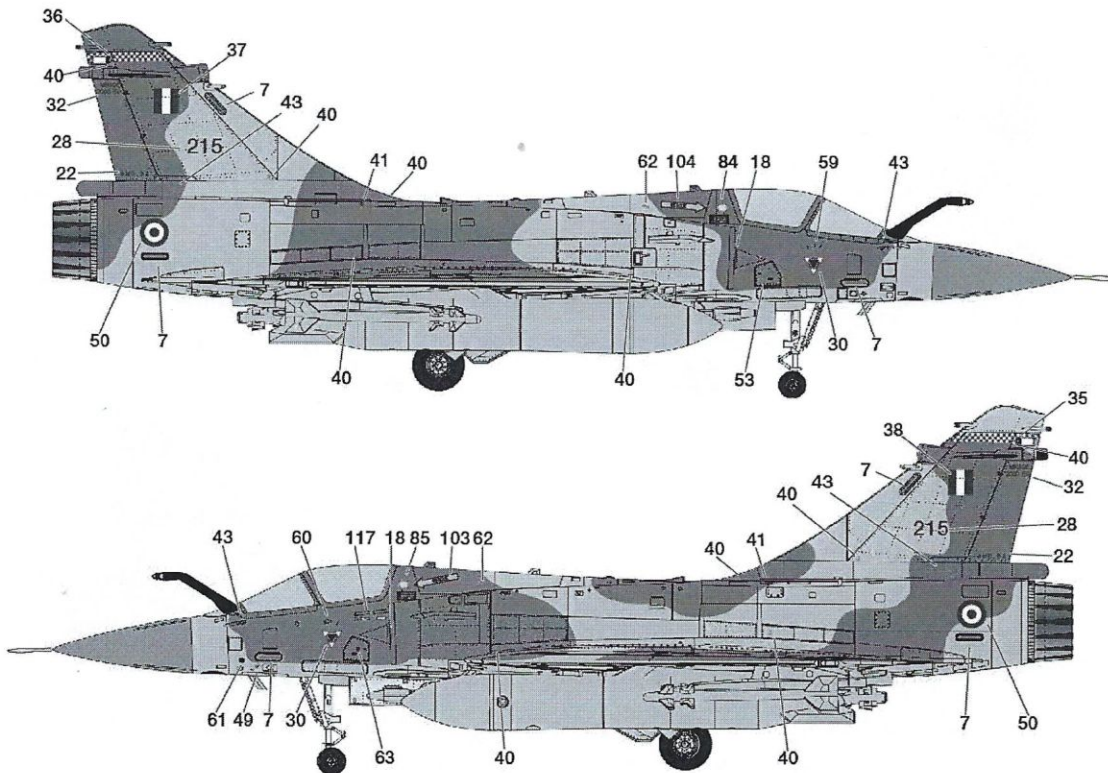





- FS 36231 Dark Sea Gray
Mr.color 317 / Vallejo Model Color 991
- French Air Force Blue
Vallejo Model Color 900
- FS 36495 Pale Greyblue
Mr.color 338 / Vallejo Model Color 907

5. Mirage 2000-5 Mk2, Hellenic Air Force, 114th Combat Wing, Tanagra Air Base.
 6. 331st Fighter Interception Squadron "Theseus"

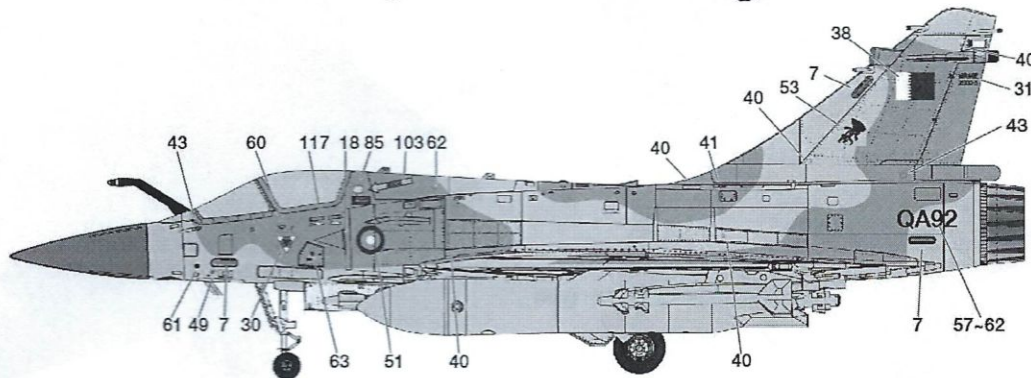
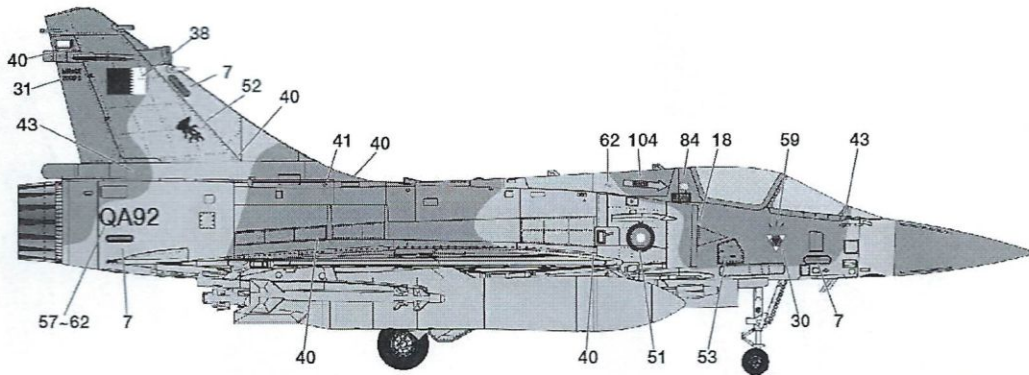


6. Mirage 2000EGM3, Hellenic Air Force, 114th Combat Wing, Tanagra Air Base.
 332nd Fighter Interception Squadron "Yeraki" (Falcon)

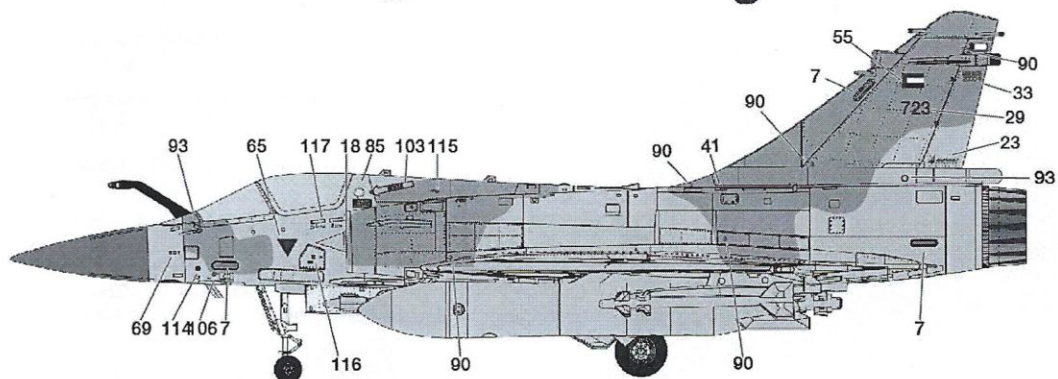
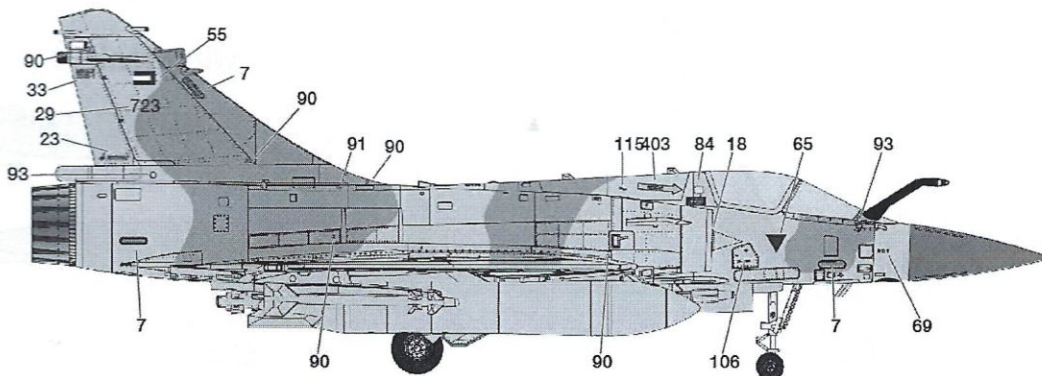





 FS 36231 Dark Sea Gray Mr.color 317 / Vallejo Model Color 991	 French Air Force Blue Vallejo Model Color 900	 FS 36495 Pale Greyblue Mr.color 338 / Vallejo Model Color 907
--	--	--

7. Mirage 2000-5EDA, Qatar Emiri Air Force, Souda Air Base, Crete, Operation Unified Protector, 2011.

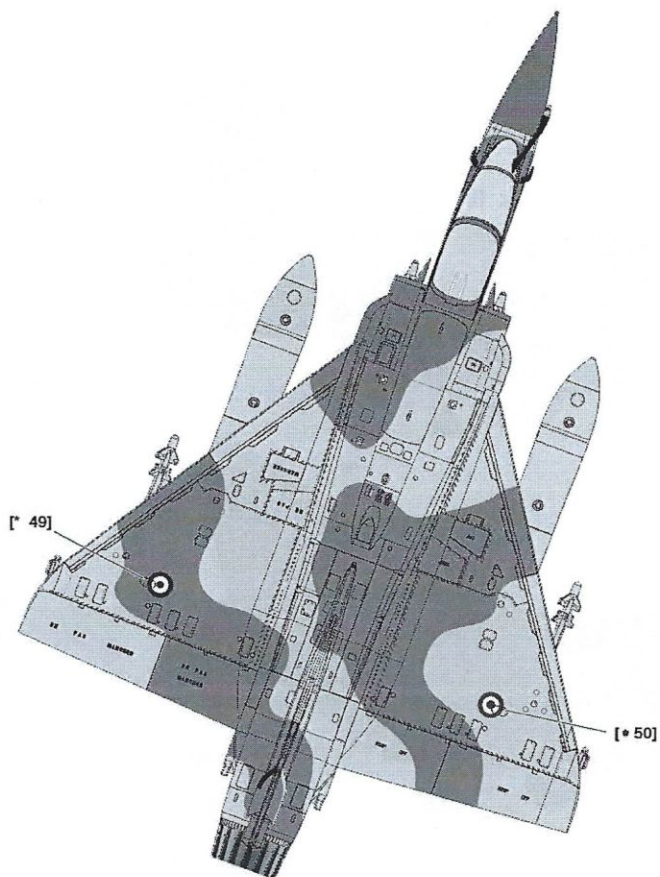


8. Mirage 2000-9, United Arab Emirates Air Force, Decimomannu Air Base, Italy, Operation Unified Protector, 2011.

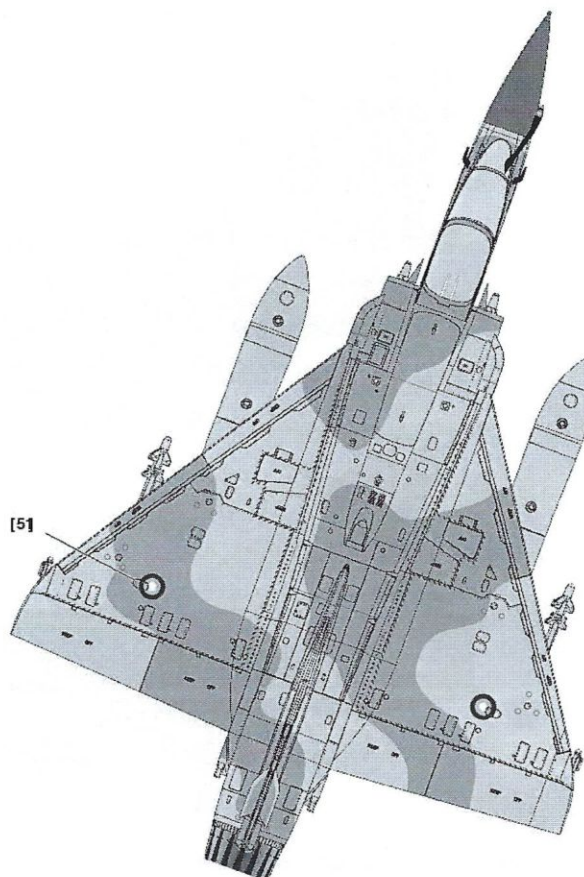


 FS 36231 Dark Sea Gray Mr.color 317 / Vallejo Model Color 991	 FS 36300 Gray Mr.color 307 / Vallejo Model Color 990	 FS 36495 Pale Greyblue Mr.color 338 / Vallejo Model Color 907
--	---	--

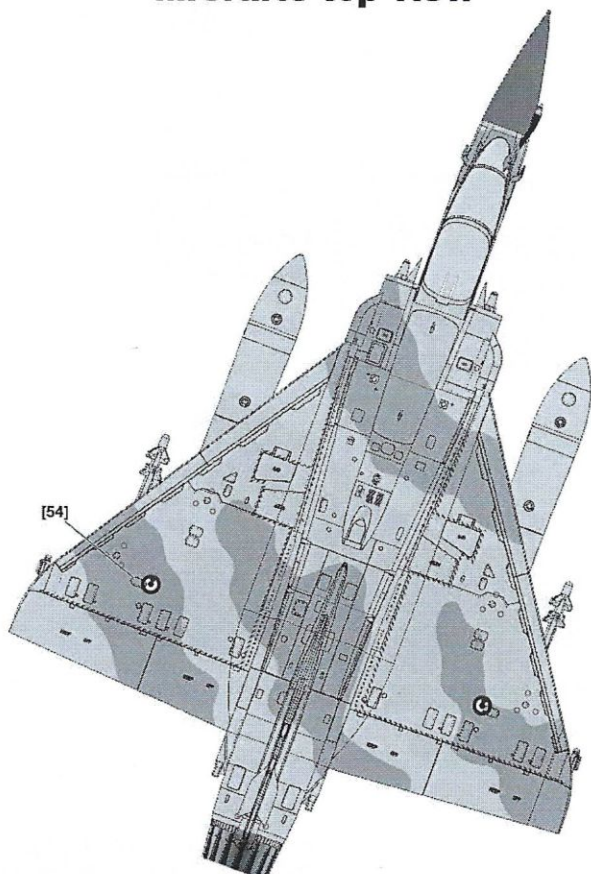
aircraft 1~6 top view



aircraft 1~7 top view

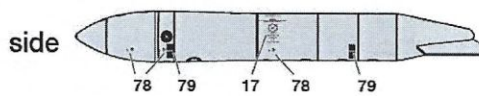
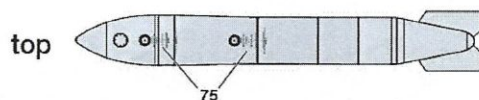


aircraft8 top view

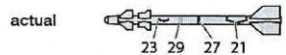
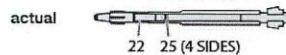
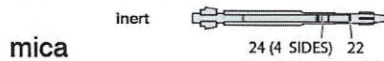


ordnance

wing tank



repeat to the other side except no.17



21 AND 23 FOR BOTH SIDES

-  FS 36231 Dark Sea Gray
Mr.color 317 / Vallejo Model Color 991
-  French Air Force Blue
Vallejo Model Color 900
-  FS 36300 Gray
Mr.color 307 / Vallejo Model Color 990
-  FS 36495 Pale Greyblue
Mr.color 338 / Vallejo Model Color 907