



Corvette Indy

1/25 SCALE
1/25 ECHELLE
ESCALA 1/25

KIT 7108

REVELL, INC. Des Plaines, IL Copyright © 1989 All rights reserved. Made in U.S.A. 7108 R 4200

Corvette "Indy"; the name alone excites your senses with a spirit of exhilaration! This aggressive creation is an automotive "Tour de Force". It is a "world class" design that challenges the legendary marques of Europe to transform the dreams of tomorrow into an exotic creation that captivates auto enthusiasts of all ages! The latest design in a long line of sophisticated mid-engine Corvette concept vehicles, the "Indy" embodies the latest advances in automotive technology.

The heart of this exotic design is a carbon fibre structure fitted with an all-aluminum, Dual Overhead Camshaft V-8 engine that displaces 350 cubic inches. This sophisticated motor is fitted with 32-valves and sequential fuel-injection. It is positioned longitudinally in the chassis and drives all four wheels through a five-speed transaxle.

Without question, the most sophisticated aspect of this machine is the radical "Active" suspension system that utilizes electronic microprocessors and hydraulics that adapts the handling of the car to a wide range of surface conditions. Developed for use on grand prix racing machines, "Active" suspension is the technology that will transform tomorrow's Corvette into a high-performance thoroughbred.

The interior explores the latest concepts in advanced electronics. Engine performance is monitored by a CRT display located in the instrument panel cowl, and an ETAK navigational mapping system is positioned in the passenger's door. This exotic, 1/25th scale model is a Revell exclusive! From the contoured interior to the sleek bodywork, this kit is a vision of the future!

READ THIS BEFORE YOU BEGIN

- Study the assembly drawings.
- Each plastic part is identified by a number.
- In the assembly drawings, some parts will be marked by a star (*) to indicate plated plastic.
- Scrape plating from areas to be cemented.
- Check the fit of each piece before cementing in place.
- Do not use too much cement to join parts.
- Use only cement for polystyrene plastic.
- Model may be painted to match photos on box.
- Allow paint to dry thoroughly before handling parts.
- Scrape paint from areas to be cemented.
- For better paint and decal adhesion, wash the plastic parts in a mild detergent solution. Rinse and let air dry.

- Le modele peut être peint conformément aux photos sur la boîte.
- Laissez sécher la peinture complètement, avant de manipuler les pièces.
- Grattez la peinture sur les surfaces devant être collées.
- Pour assurer la meilleure adhésion possible de la peinture et des décalcomanies, lavez les pièces de plastique avec une légère solution savonneuse. Rincer et laisser sécher à l'air.

LEA ESTO ANTES DE EMPEZAR

- Estudie los dibujos de ensamblaje.
- Cada pieza de plástico se identifica por un número.
- En los dibujos de ensamblaje, algunos números de las piezas están marcados con una estrella (*) para indicar plástico laminado.
- Raspe el laminado de las superficies que serán pegadas.
- Verifique que cada pieza encaje bien antes de pegar en posición.
- No use demasiado pegamento para unir las piezas.
- Use únicamente pegamento para plástico de poliestireno.
- El modelo puede pintarse de acuerdo con las fotografías de la caja.
- Permita que se seque la pintura completamente antes de tocar las piezas.
- Raspe la pintura de las superficies que serán pegadas.
- Para una mejor fijación de la pintura y de las calcomanías, lávese las piezas plásticas en una solución de detergente suave. Enjuáguese y déjese secar al aire.

LISEZ CE QUI SUIV AVANT DE COMMENCER LE MONTAGE

- Etudiez les schémas d'assemblage.
- Chaque pièce plastique porte un numéro d'identification.
- Sur les schémas d'assemblage, les pièces dont le numéro comporte une astérisque (*) sont en plastique chromé.
- Grattez le chromage sur les surfaces à coller.
- Contrôlez que chaque pièce soit bien conforme avant de la coller à sa place.
- N'utilisez pas trop de colle pour réunir les pièces.
- Utilisez uniquement une colle spéciale pour polystyrène.

A	FLAT BLACK	NOIR TERNE	NEGRO APAGADO
B	DARK GRAY	GRIS FONCE	GRIS OSCURO
C	ALUMINUM	ALUMINIUM	ALUMINIO
D	GLOSS BLACK	NOIR LUSTRE	NEGRO BRILLANTE
E	BLUE	BLEU	AZUL
F	WHITE	BLANC	BLANCO
G	LIGHT GRAY	GRIS CLAIR	GRIS CLARO
H	AMBER	AMBRE	AMBAR
J	RED	ROUGE	ROJO



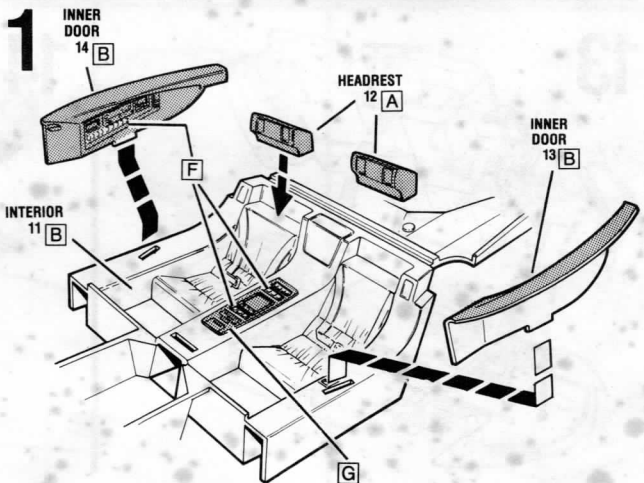
DO NOT CEMENT
NE PAS COLLER
NO USE PEGAMENTO



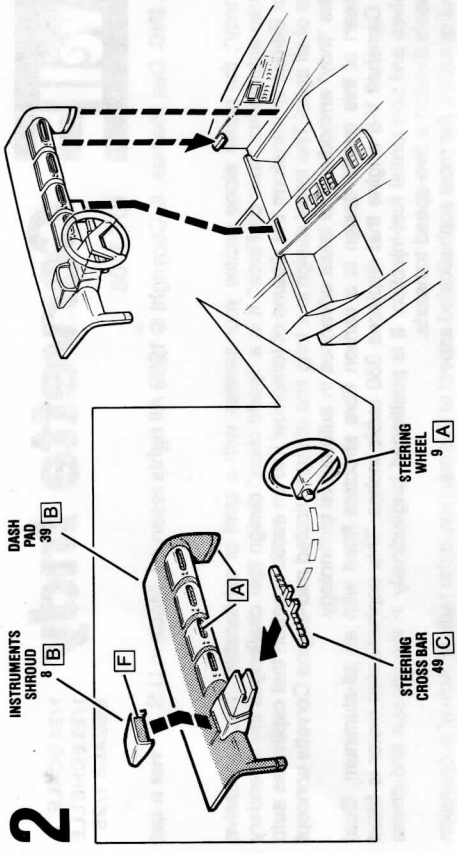
REMOVE AND THROW AWAY
A RETIRER ET JETER
QUITE Y TIRER



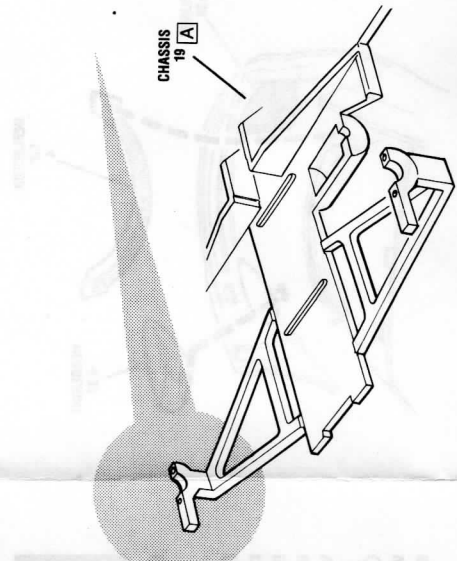
DECAL (DIP IN WATER)
DECALCOMANIE (A PLONGER DANS L'EAU)
DECALCOMANIA (MOJE CON AGUA)



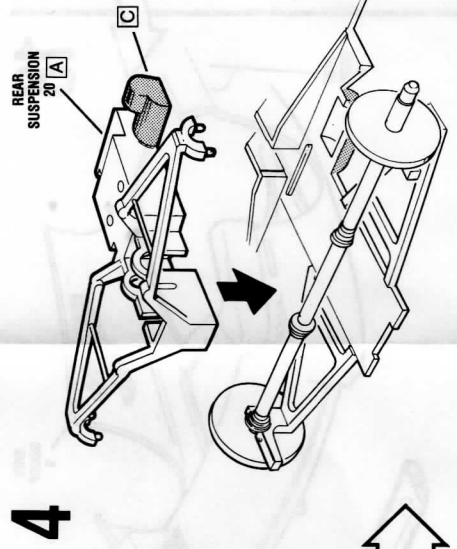
2



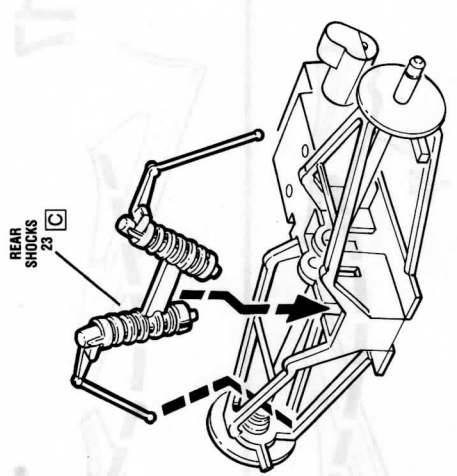
3



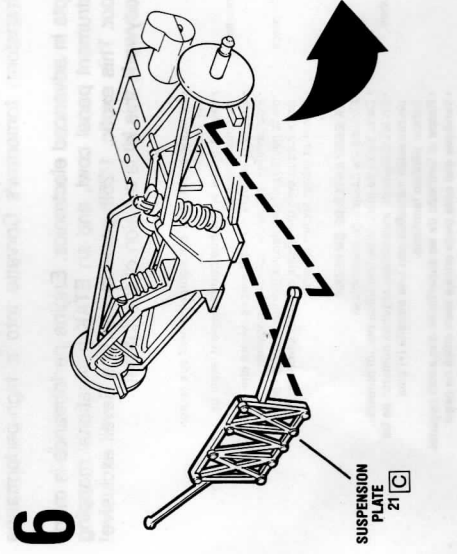
4



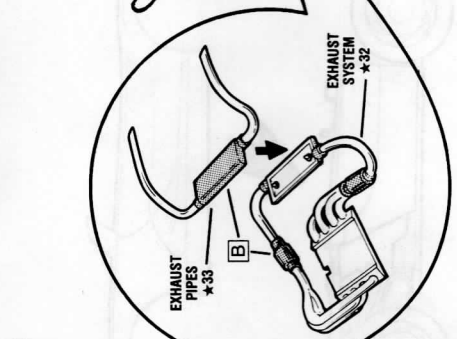
5



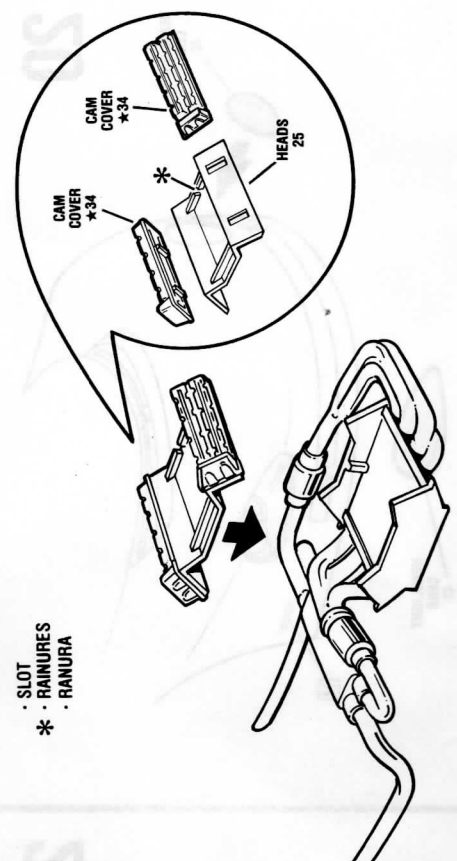
6



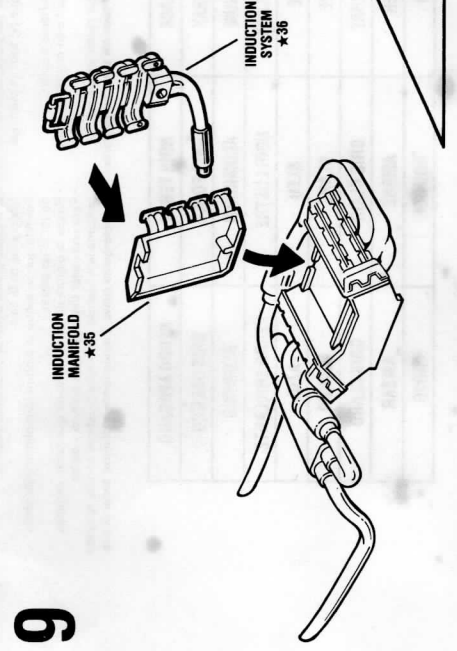
7



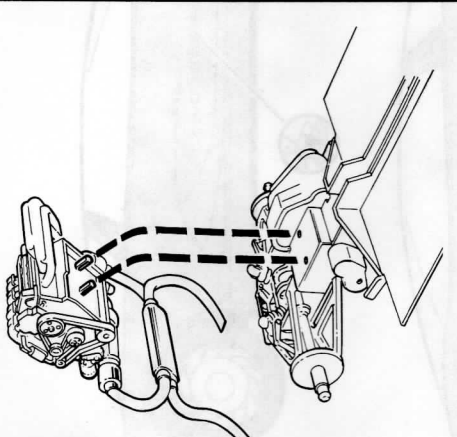
8



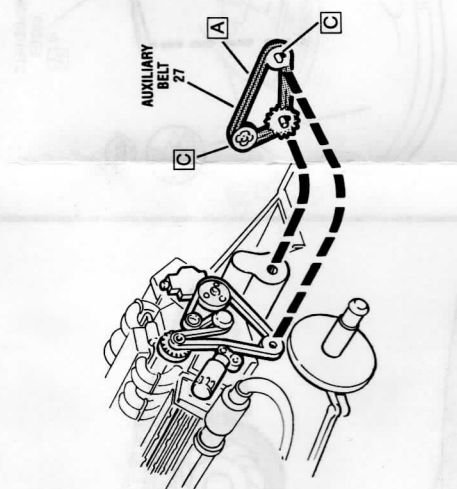
9



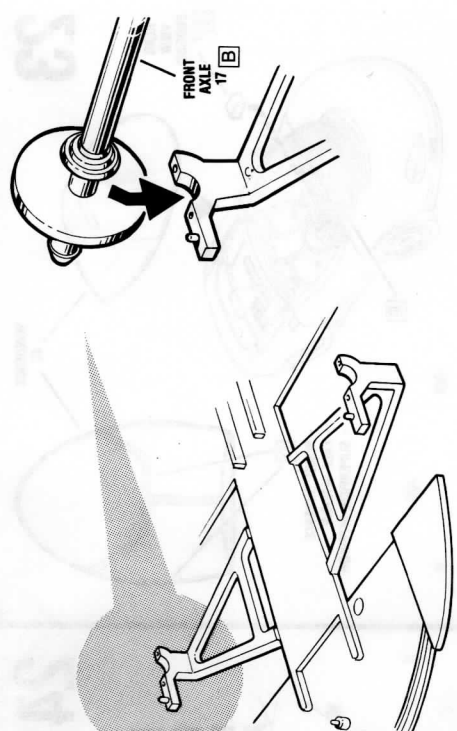
10



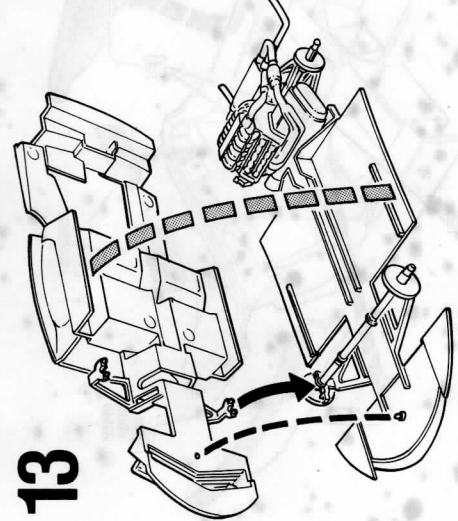
11



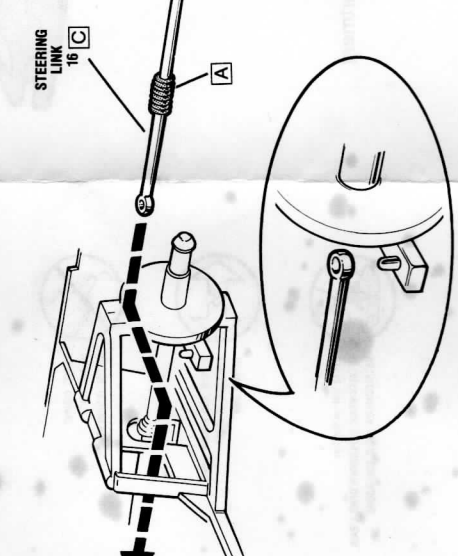
12



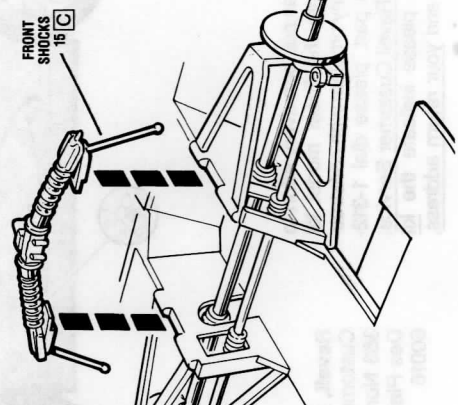
13



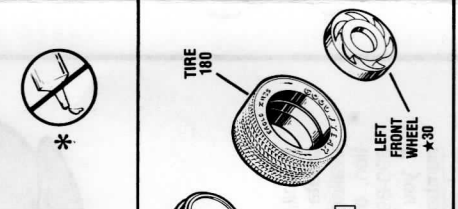
14



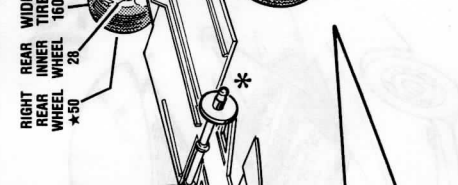
15



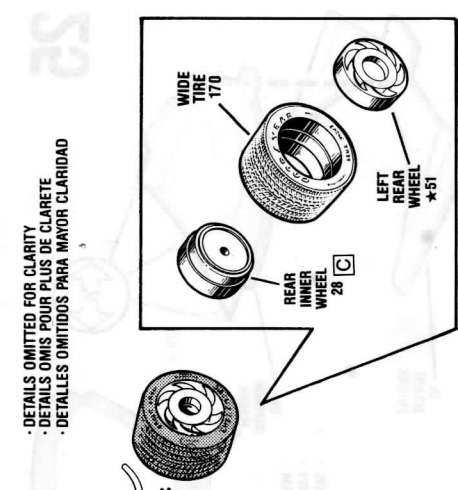
16



17

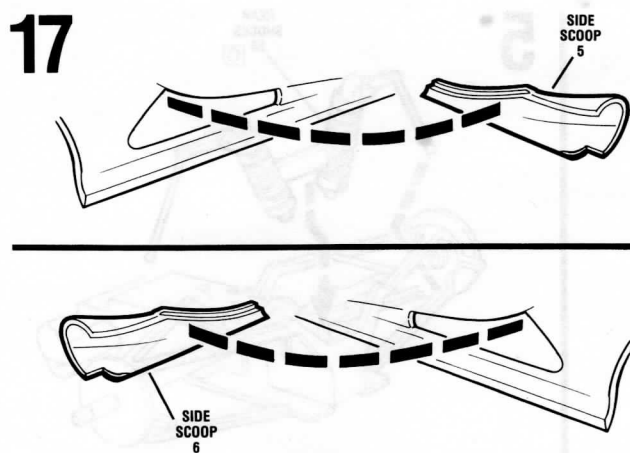


18

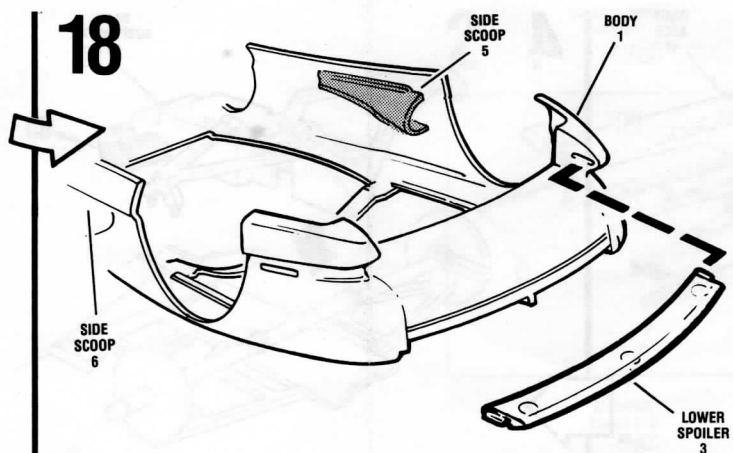


* DETAILS OMITTED FOR CLARITY
* DETAILS OMIS POUR PLUS DE CLARETE
* DETALLES OMITIDOS PARA MAYOR CLARIDAD

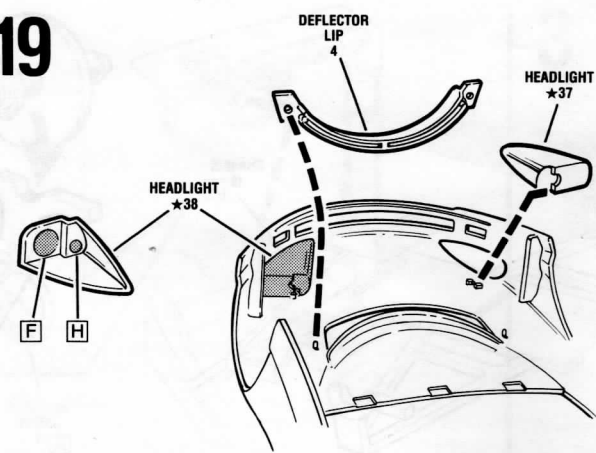
17



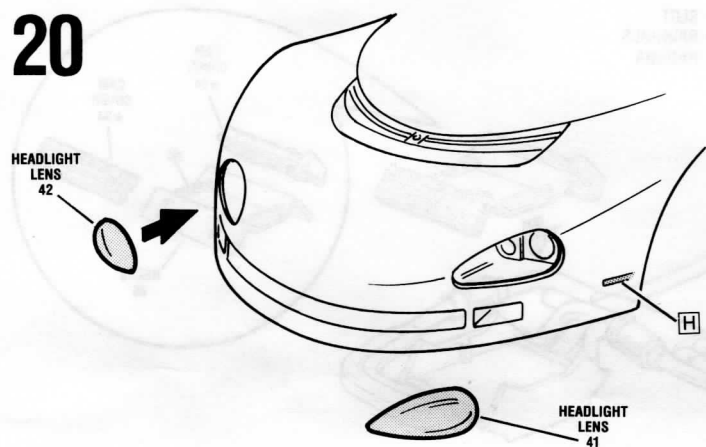
18



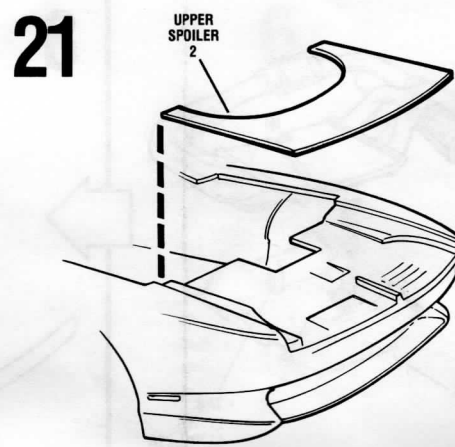
19



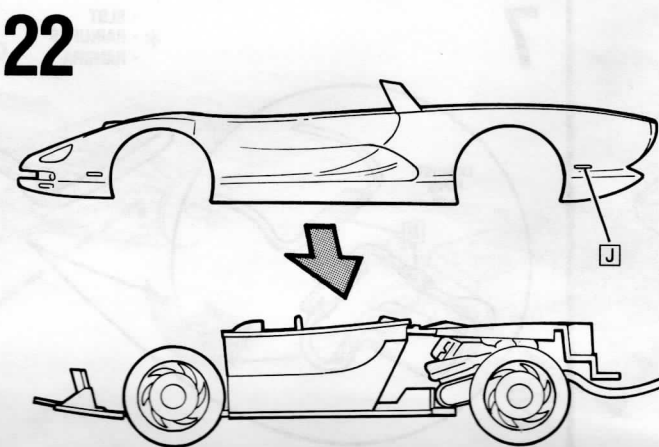
20



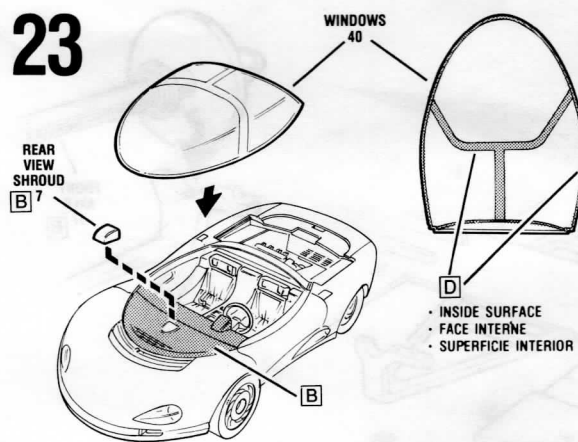
21



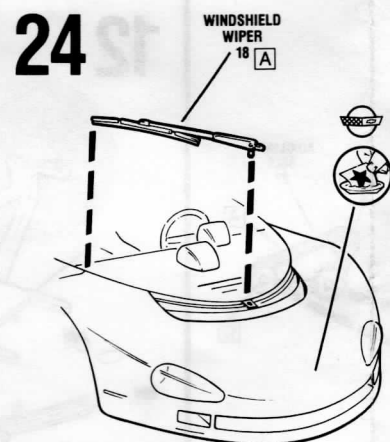
22



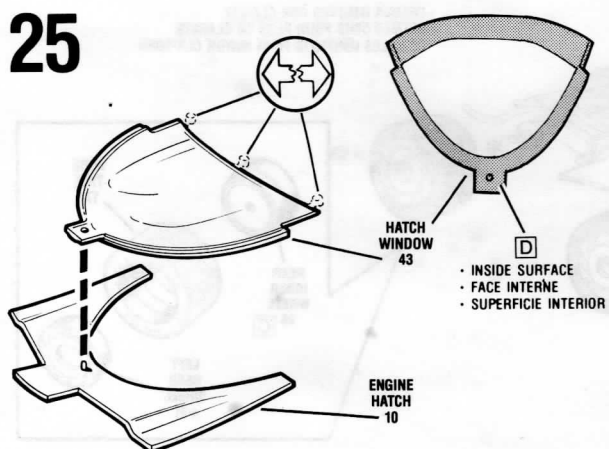
23



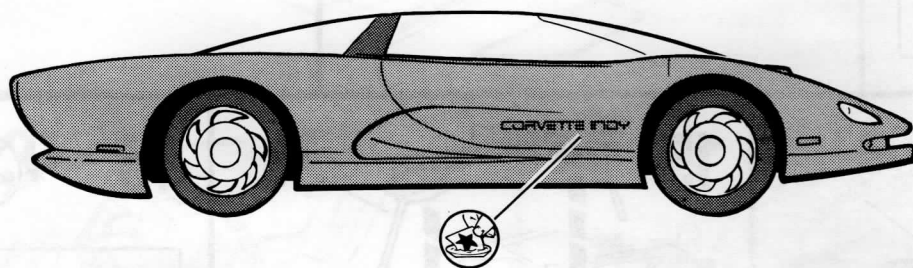
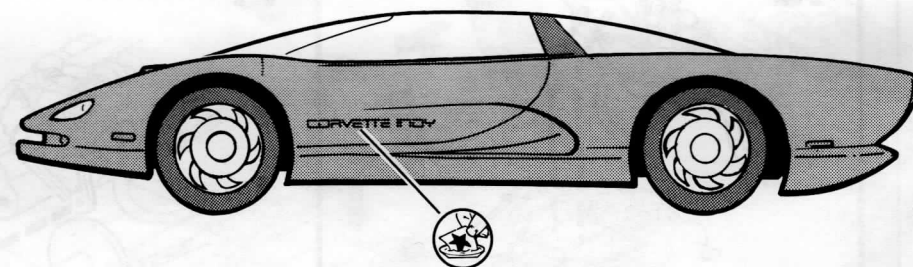
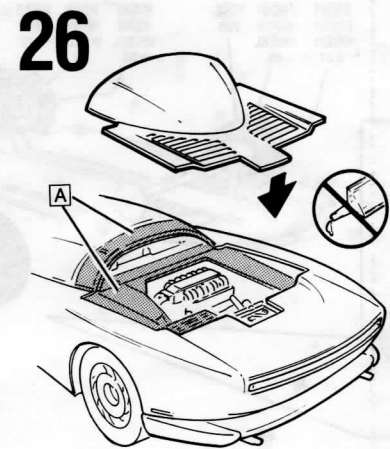
24



25



26



Revell, Incorporated has put forth every effort to create and manufacture the finest model kit available. If you have any problem with construction, or are missing a part, please dial 1-312-390-8910 and request Revell Customer Service. If you wish to write, please indicate the kit number, part number, and your return address, and send it to:

Revell, Incorporated
Customer Service Department
363 North Third Avenue
Des Plaines, Illinois
60016