

# A-34 'Comet' MK.1B

A-34 “彗星” 巡洋坦克MK.1B



1/72 Scale

Item No. VS720004

## Meaning of icons



FILL HOLE  
填平孔洞



OPEN HOLE  
钻出孔洞



OPTIONAL  
可选择使用



2 SETS NEEDED  
同样的制作二组



REMOVE  
切除



BE CAREFUL  
小心注意



APPLY DECAL  
贴水上贴



BEND  
曲折



DO NOT CEMENT  
不用粘接



INSTANT GLUE  
速干胶  
瞬間接著剂

## CAUTION:

1. When you use glue or paint do not use near a open flame and sue in a well-ventilated room.
2. Cut the parts off properly and throw waste parts into dustbox at once.
3. Keep all parts out of small children. Children must not to be allowed to put any parts in their mouths, or pull plastic bags over their head.
4. Do not play with the parts for any other purpose, as some parts may be to sharp. More caution and care needed for families with infants.

## 注意:

1. 當用膠模型時應遠離火種及在空氣流通的房間內進行。
2. 廢棄膠料應持棄在環保回收的垃圾箱內。
3. 由於模型套件有許多小零件，請勿讓小孩接觸以免產生誤吞之危險。也別讓小孩把包裝膠件的透明膠料套套在嘴上，這很容易引致窒息。
4. 由於零件有不少尖角部份，請勿把玩及作其他用途。請注意及小心保護你的家人。

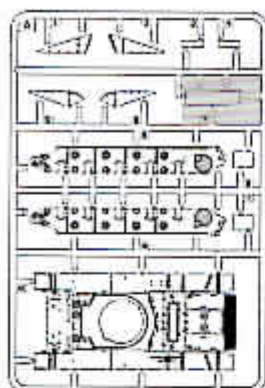
## CORRECT METHOD FOR APPLYING DECALS:

1. Clean model surface with wet cloth.
2. Cut out of decal sheet and dip them in cold water for 15 seconds.
3. Place decal on proper position on model.
4. Slide off base paper leaving decals on model with wet finger tip.
5. Adjust decals to exact position, push out excess water under decal with soft cotton cloth.

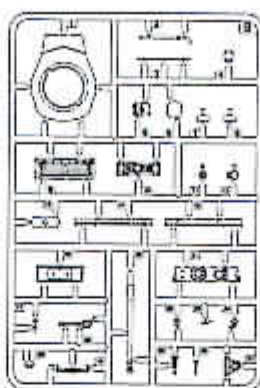
## 正確貼水上貼紙的方法:

1. 將模型表面擦乾淨。
2. 將貼紙剪下泡入清水中約15秒。
3. 將泡濕之貼紙取出置於欲貼處旁。
4. 用指尖輕推貼紙表面使其滑出泡紙。
5. 將貼紙調整至適當位置并輕擦拭水份。

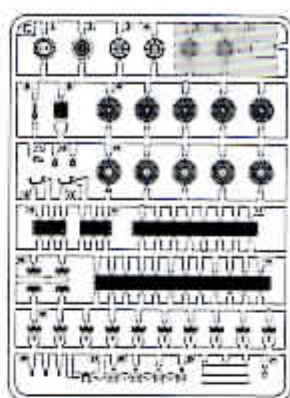
AX1



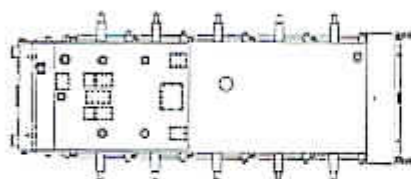
BX1



CX2



DX1

Metal Gun Barrel  
FX1

EX1




PX1



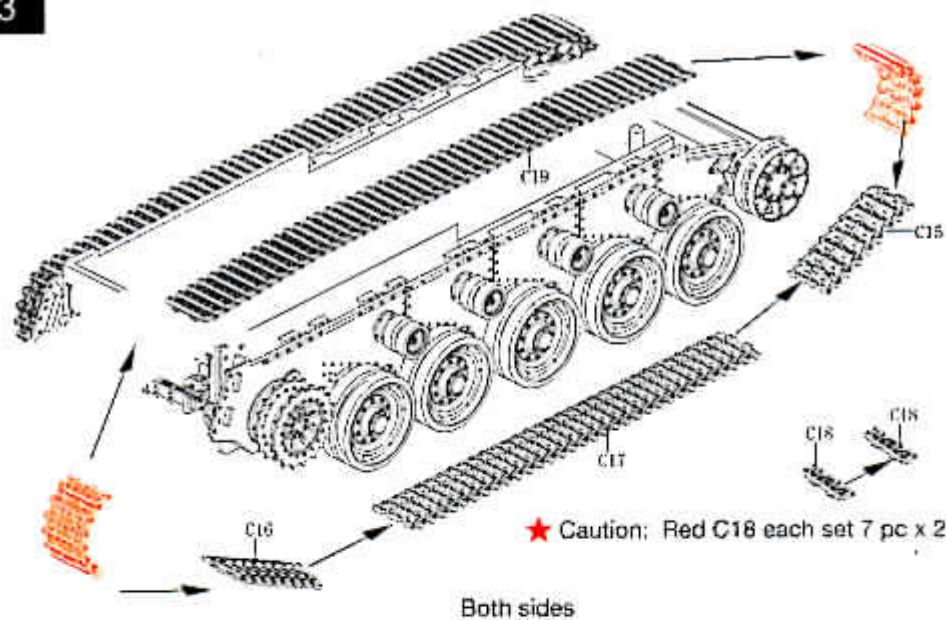
Decal X1



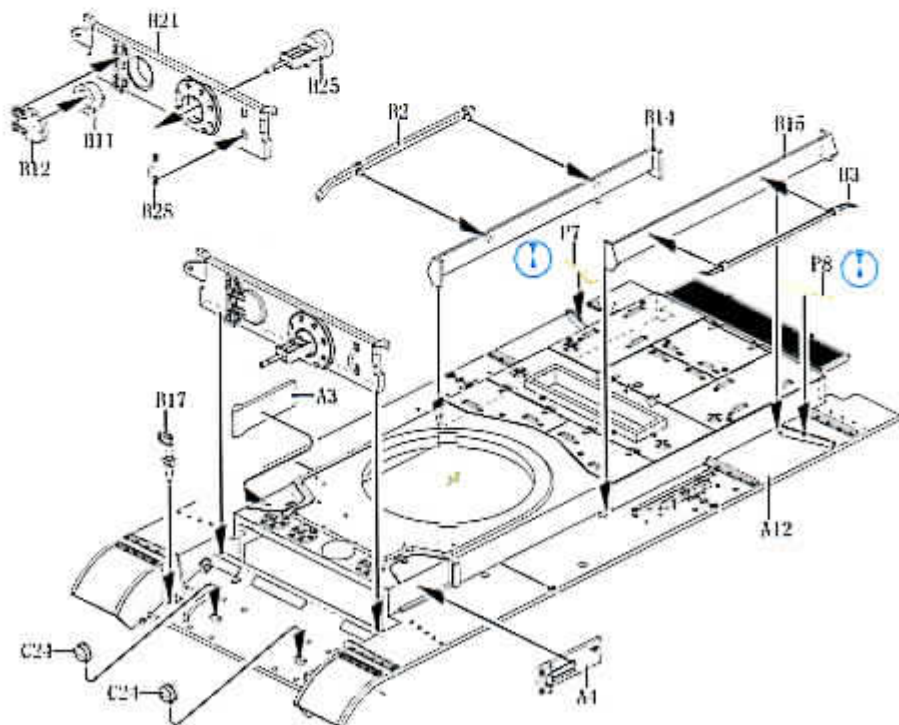
 Not for use part(不使用的部品)

Colour	MR.Hobby	Hobby Color	Humbrol	Tamiya
<b>A</b> Wood brown	H-37	C-43	/	XF-64
<b>B</b> Tyro Black	H-77	C-137	85	XF-85
<b>C</b> Steel	H-18	C-28	53	X-10
<b>D</b> Silver	H-8	C-8	11	X-11
<b>E</b> Olive drab No.12	H-52	C-12	163	XF-58
<b>F</b> Field Green	H-4(70%)+H-12(30%)	C-11(70%)+C-33(30%)	69(70%)+33(30%)	XF-3(70%)+XF-1(30%)

3

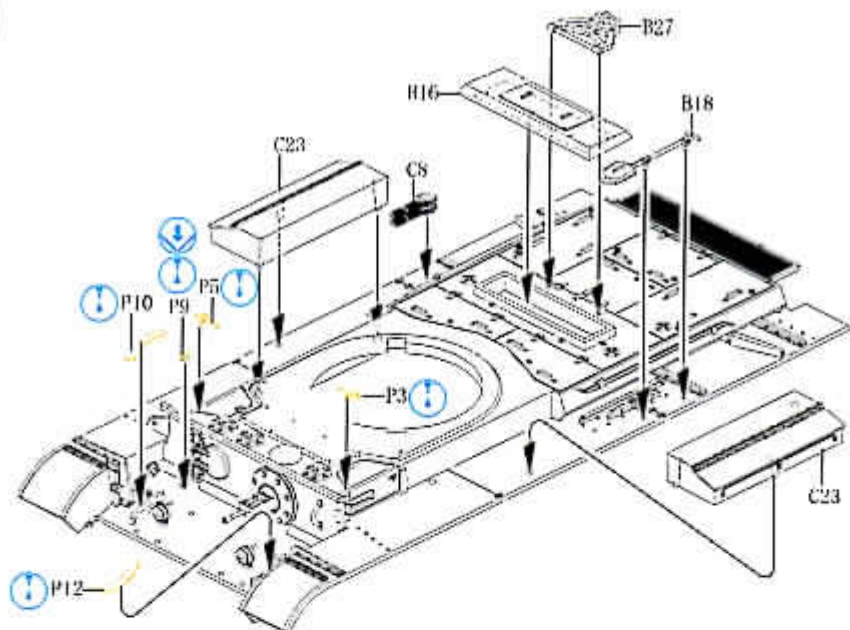


4

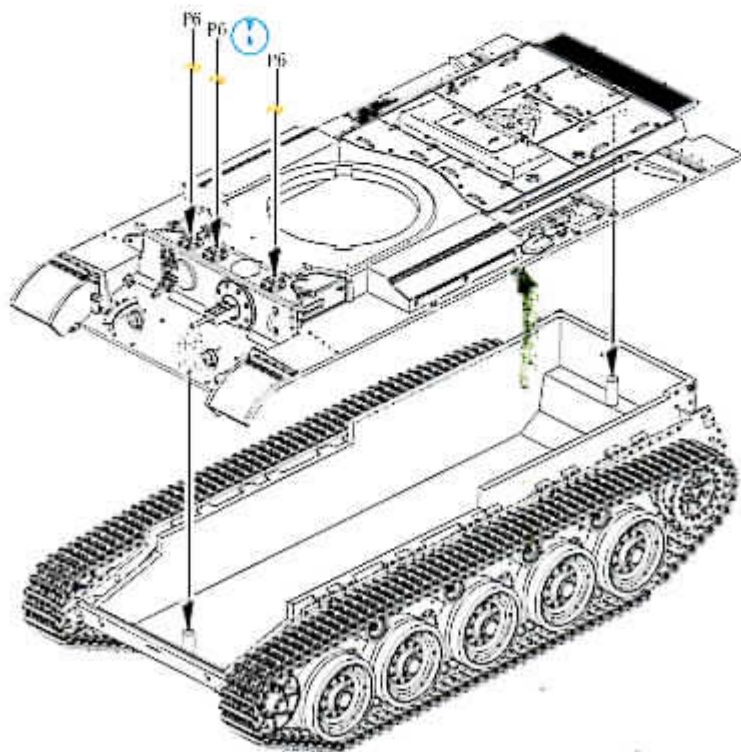




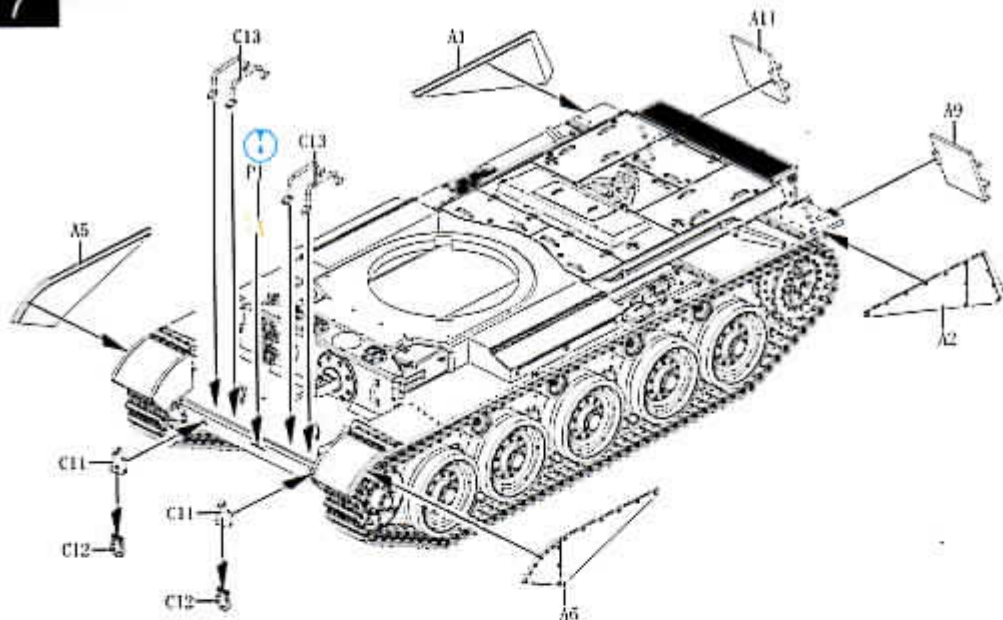
5



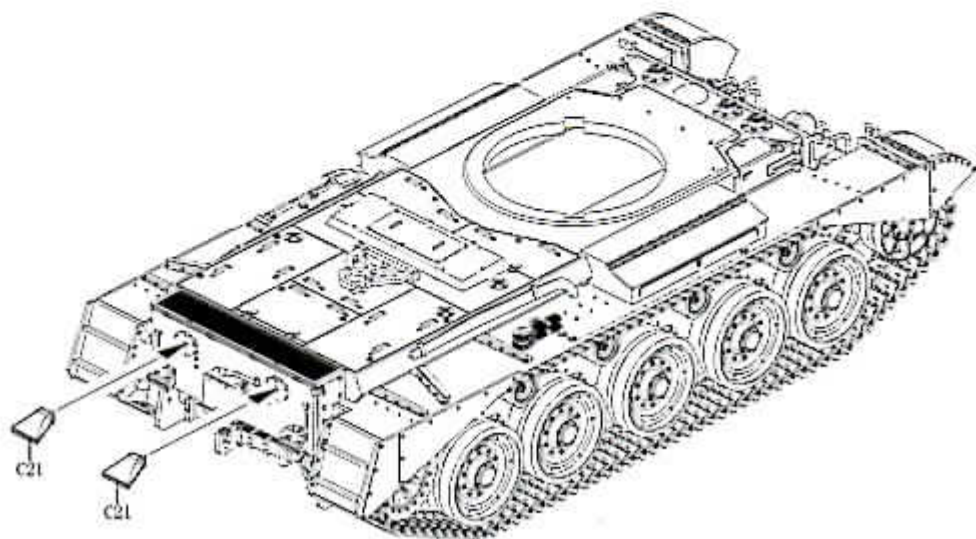
6

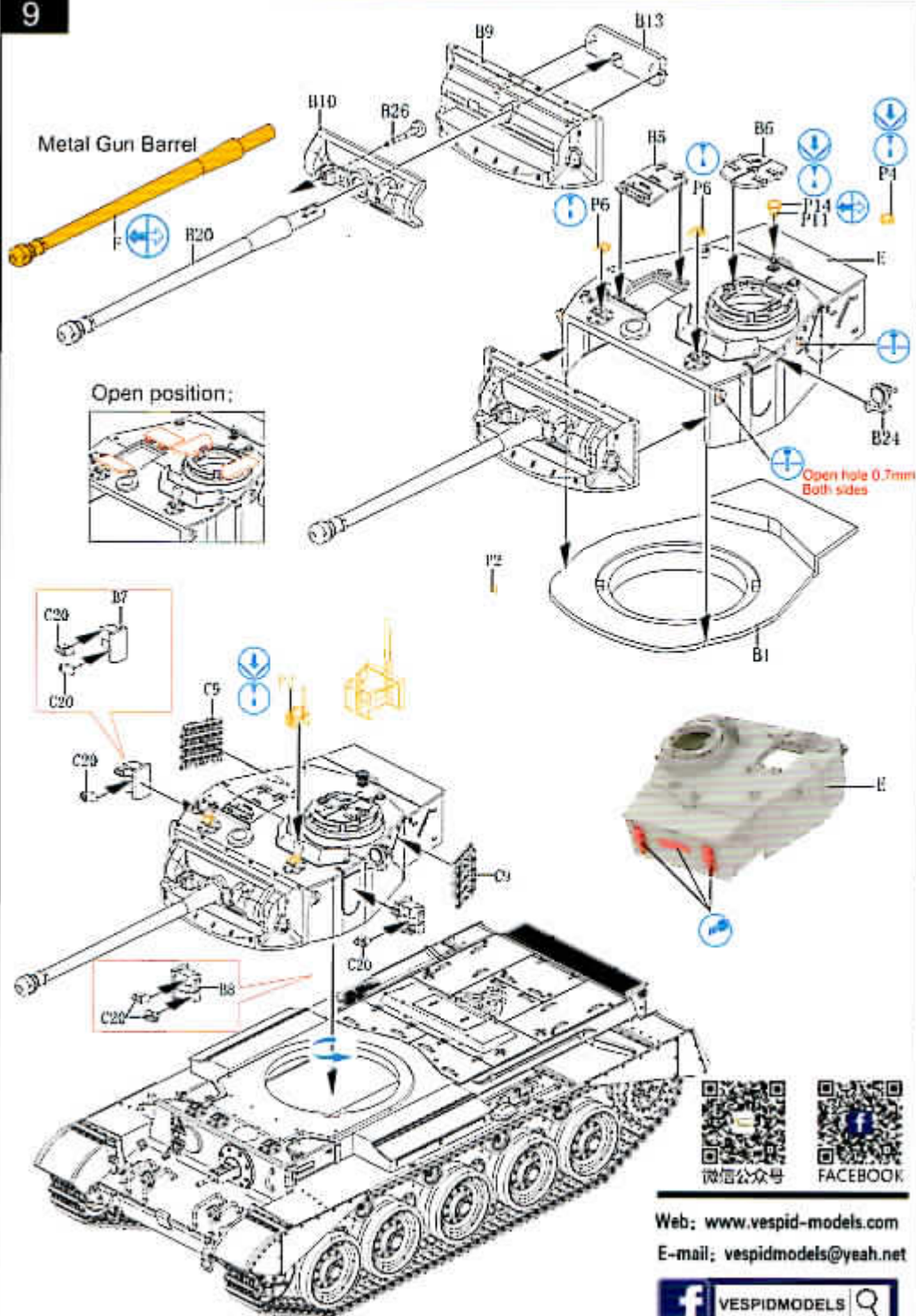


7



8

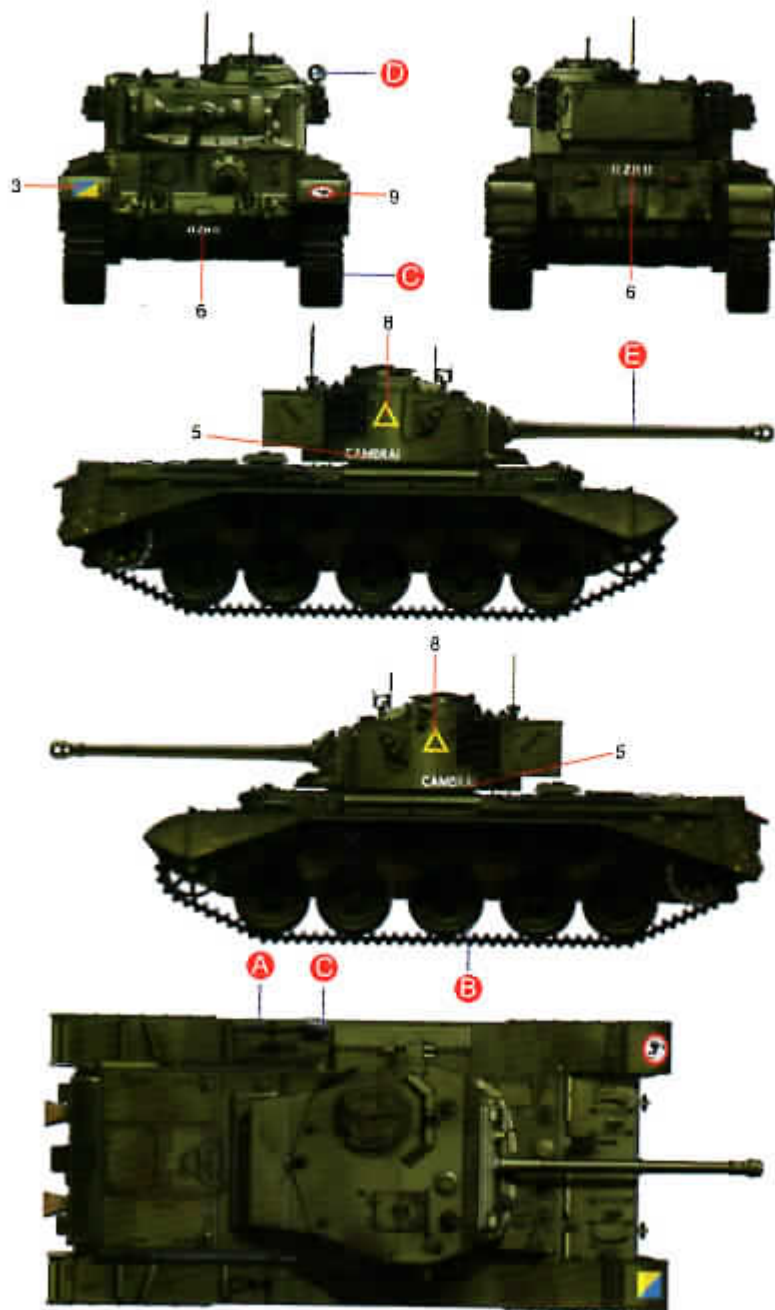




## Paint Option 1:

"CAMBRAI", The 3rd Royal Tank Regiment of the British Army, British territory

英國陸軍第3皇家坦克團，綽號“坎博雷”，英國本土

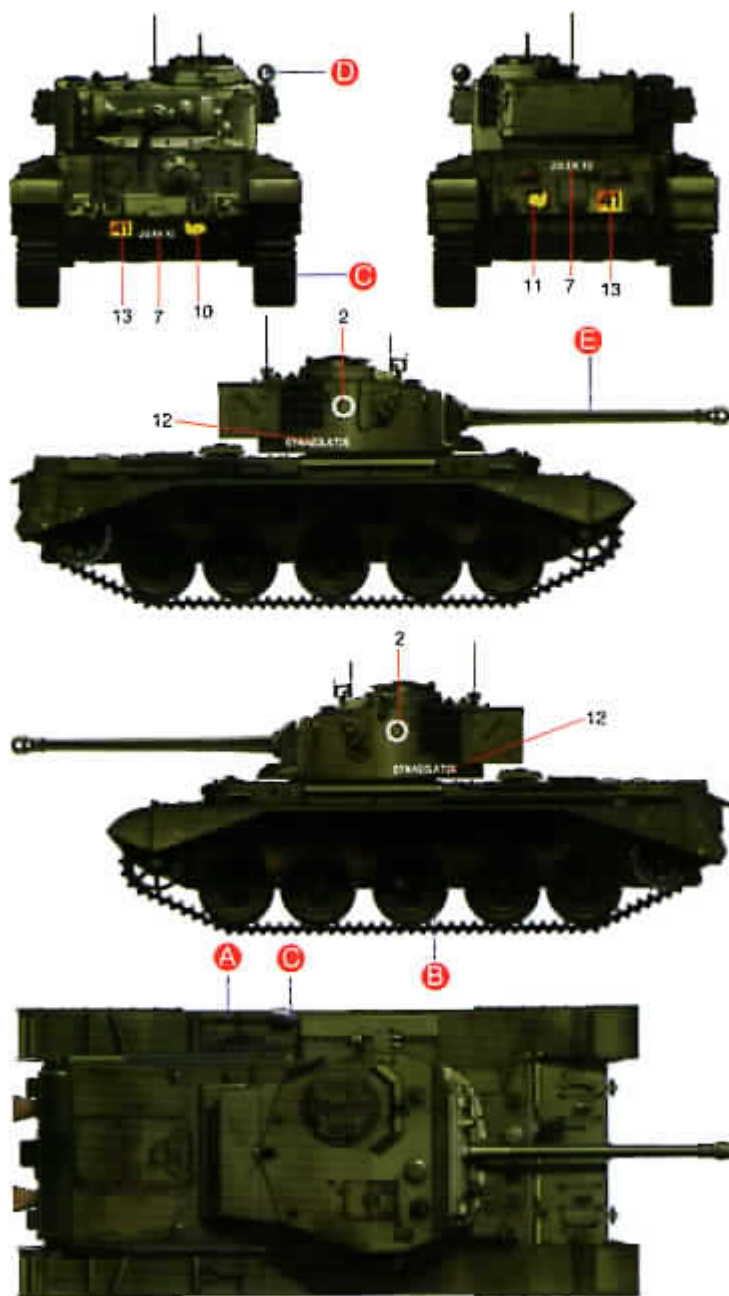




## Paint Option 2:

"Gynaeolator", British Army, British territory

英國陸軍，綽號“結藍”，英國本土

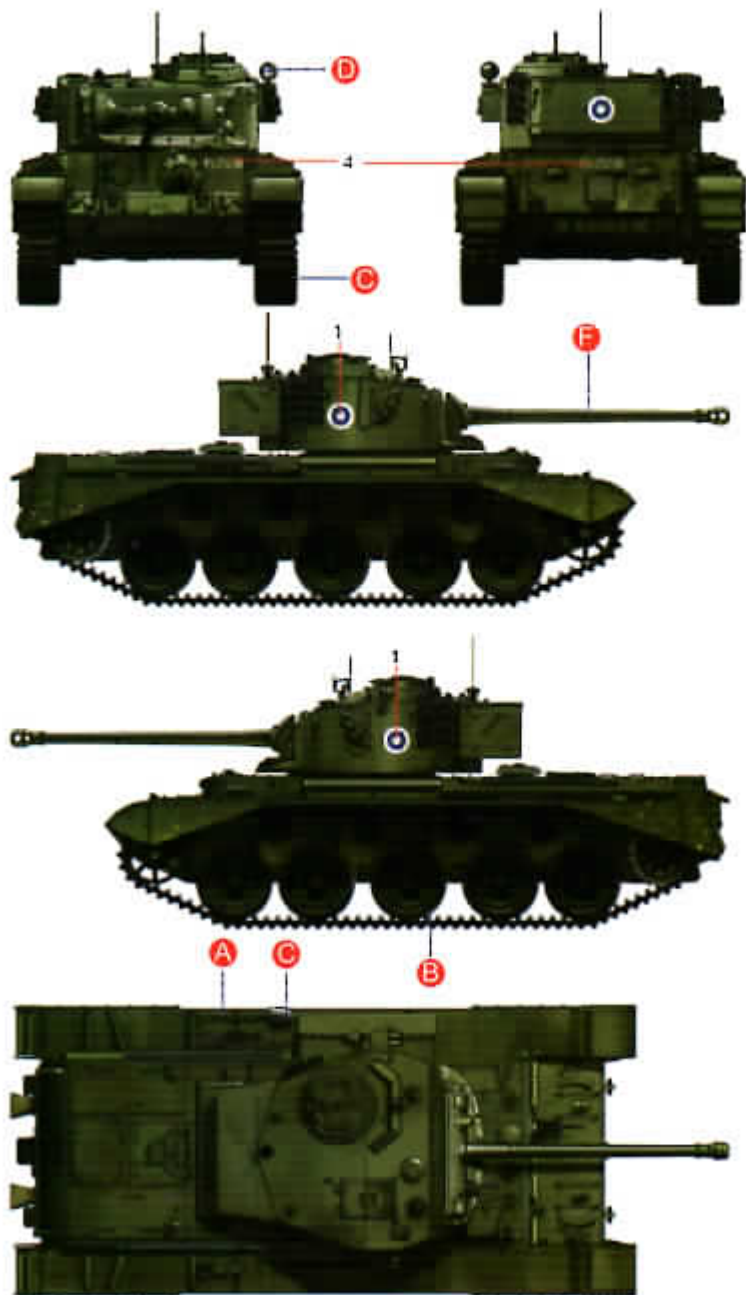




### Paint Option 3:

Finnish army, "Ps 252-38", Oulu (Northern Finland), Summer of 1962

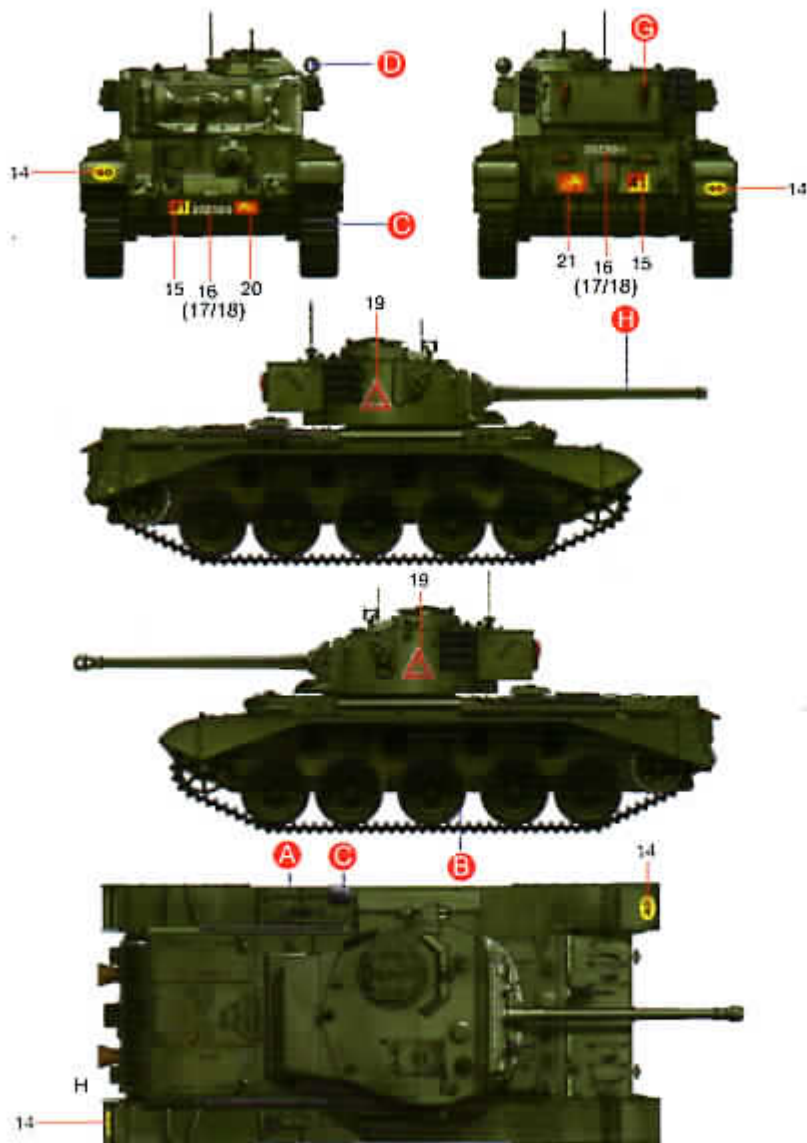
芬蘭陸軍, "Ps 252-38" 號車, 奧盧 (芬蘭北部), 1962年夏



# Paint Option 4:

3rd Royal Tank Regiment, Set Kong Camp, New Territory, Hong Kong, 1957

1957年駐守香港新界石崗軍營之第3皇家坦克團屬下車輛



Colour	MR.Hobby	Hobby Color	Humbrol	Tamiya
<b>A</b> Wood brown	H-37	C-43	/	XF-64
<b>B</b> Tyre Black	H-77	C-137	85	XF-85
<b>C</b> Steel	H-19	C-28	53	X-10
<b>D</b> Silver	H-8	C-8	11	X-11
<b>E</b> Brown Olive green (H)	H-52	C-12	162	XF-58
<b>F</b> Field Green	H-4(70%)+H-12(30%)	C-113(70%)+C-33(30%)	69(70%)+33(30%)	XF-3(70%)+XF-1(30%)
<b>G</b> Red	H-3	C-3	19	X-7
<b>H</b> Deep bronze green	/	/	75	/



VS720001 Pz.kpfw VIII Maus V2  
德國超重型坦克“鼠”  
(二號試驗車體搭載1號試驗炮塔)



VS720002 A-34 'Comet' MK.1A  
A-34英軍“彗星”巡洋坦克MK.1A型



VS720004 A-34 'Comet' MK.1B  
A-34“彗星”巡洋坦克MK.1B



VS720005 Flakpanzer VIII 'Maus'  
德國超重型防空坦克“鼠”



微信公众号



FACEBOOK

Web: [www.vespid-models.com](http://www.vespid-models.com)

E-mail: [vespidmodels@yeah.net](mailto:vespidmodels@yeah.net)

