

AeroMaster™

48-059 Storms in the Sky



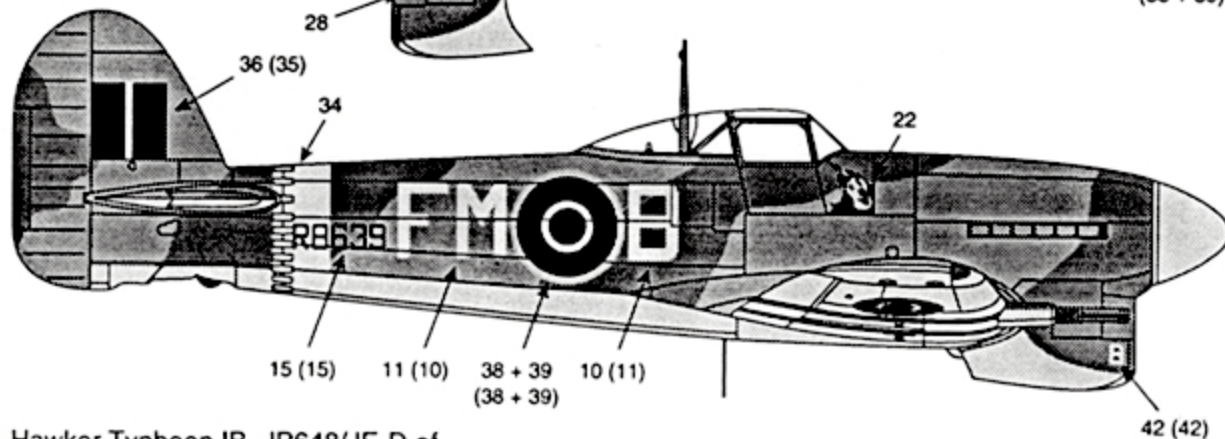
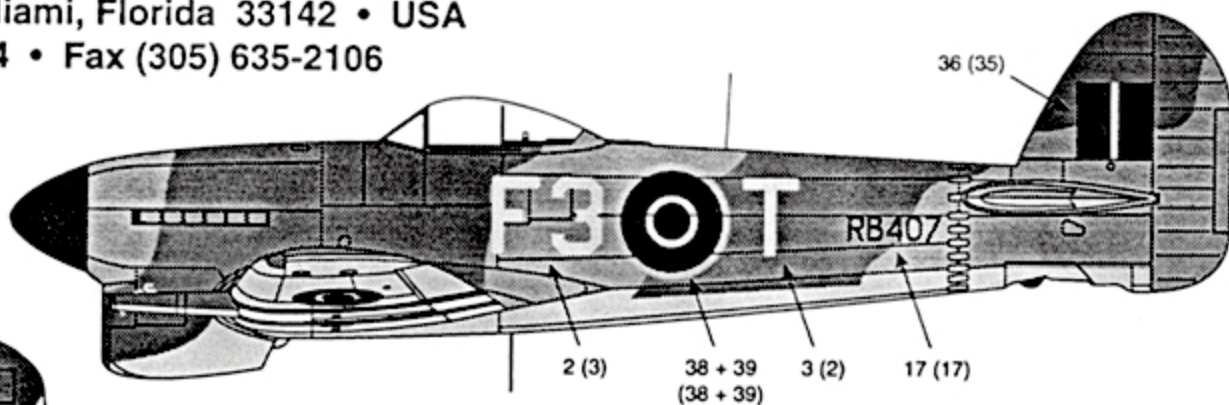
AeroMaster Decals

™

3615 NW 20th Avenue
Miami, Florida 33142 USA
(305) 635-3134 • Fax (305) 638-4197

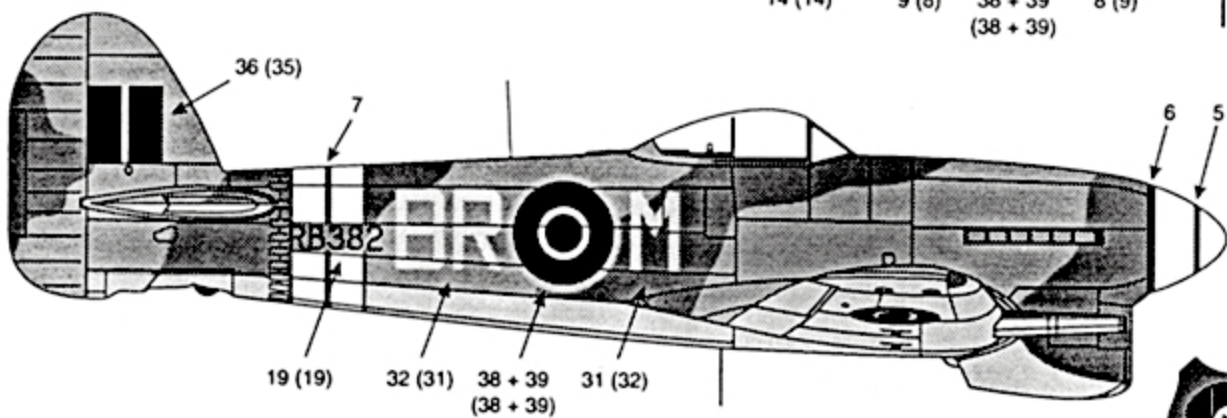
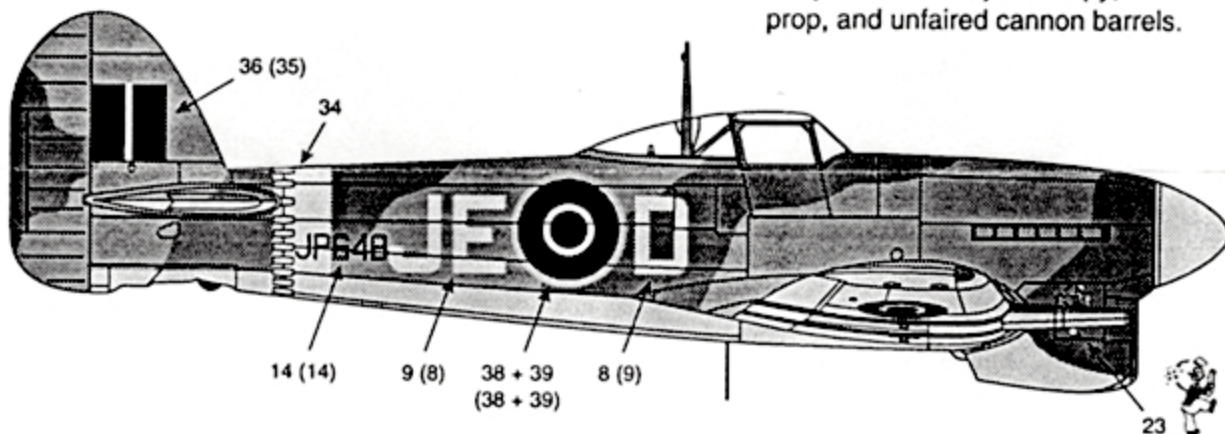
3615 NW 20th Ave • Miami, Florida 33142 • USA
Tel. (305) 635-3134 • Fax (305) 635-2106

Hawker Typhoon IB, RB407/F3-T
"Tess" of No. 438 Squadron.
R.C.A.F., Holland, 1945. Dark Green
and Ocean Grey upper surface
camouflage with Medium Sea Grey
lower surfaces. Spinner is black.
Wing leading edge bands
yellow. Note: use type C
upper wing roundels.



Hawker Typhoon IB, R8639/FM-B of
No. 257 Squadron. Flown by Flight
Officer Cedric Henman, an Anglo-
Argentinian, April 1943. A/C decorated
with a portrait of "Patorazu", an
Argentinian cartoon character. Dark
Green and Ocean Grey upper surface
camouflage with Medium Sea Grey
lower surfaces. Spinner is Sky. Black
and white Typhoon I.D. stripes on
lower wings. Wing leading edge
bands yellow. Note: This A/C had
early "car door" style canopy, 3 bladed
prop, and unfaired cannon barrels.

Hawker Typhoon IB, JP648/JE-D of
No. 195 Squadron. Flown by Flight
Officer K. A. J. Trott, Sept 1943. Dark
Green and Ocean Grey upper
surface camouflage with Medium Sea
Grey lower surfaces. Spinner is Sky.
Black and white Typhoon I.D. stripes
on lower wings. Wing leading edge
bands yellow. Note: This A/C had
early "car door" style canopy and 3
bladed prop.



Hawker Typhoon IB, RB382/BR-M
of No. 184 Squadron. Flown by
Flying Officer A. E. Pavitt, July
1945. Dark Green and Ocean Grey
upper surface camouflage with
Medium Sea Grey lower surfaces.
Spinner white with red bands.
Wing leading edge bands yellow.

Hawker Typhoon IB, PD589/18-R of
No. 440 Squadron, R.C.A.F., Nov.
1944. Dark Green and Ocean Grey
upper surface camouflage with
Medium Sea Grey lower surfaces.
Spinner is sky. Wing leading edge
bands yellow. 18" wide black and
white stripes on lower fuselage.

