

# Mitsubishi G4M Type 1 “Betty” Bomber



The Mitsubishi G4m Type 1 attack bomber was one of the most effective medium bombers employed by the Imperial Japanese Army and Navy. In addition to being used as a medium bomber, the G4m Type 1 was often used as a long-range transport for high- ranking military officers and diplomats of Imperial Japan. The Japanese built more of the Type 1 Attack bomber than any other bomber during World War II. The G4M was used throughout the Pacific and Indian Oceans and served from 1939 to the end of hostilities in September 1945.

The Mitsubishi G4 M Type 1 bomber was assigned the code name “Betty” by US military personnel during WW2. Though the aircraft was fast and heavily armed it proved to be vulnerable to defensive fire from attacking aircraft and anti aircraft fire from below. During the closing months of the war the G4M was often used in Kamikaze attacks on US Naval forces.

The G4M Type 1 was used to transport the Japanese diplomatic delegation to surrender ceremonies that signed the un-conditional surrender of Imperial Japan bringing an end to WWII.

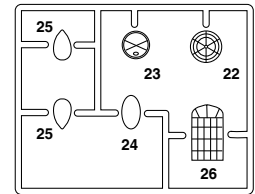
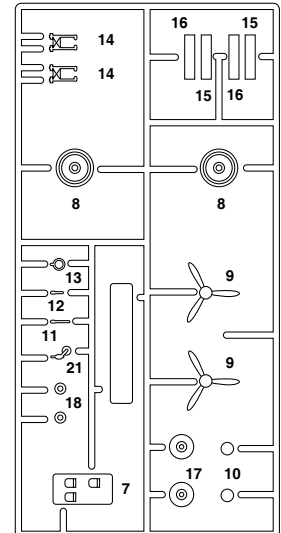
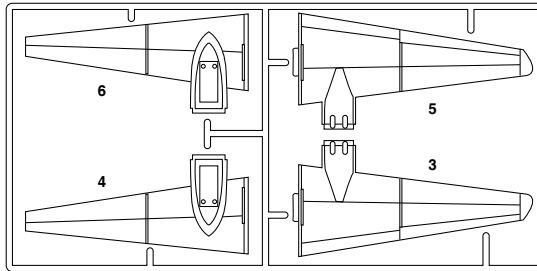
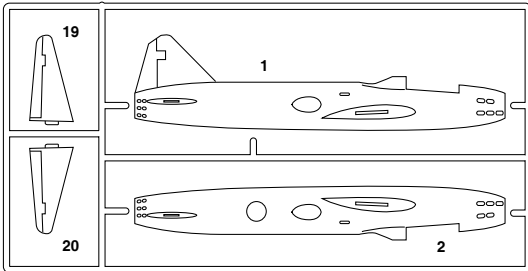
This kit contains markings for the following:

G4M1 Betty, Sinking of *HMS Prince of Wales* and *HMS Repulse*, Dec 1941  
Betty, Unconditional Surrender Scheme, Aug 1945

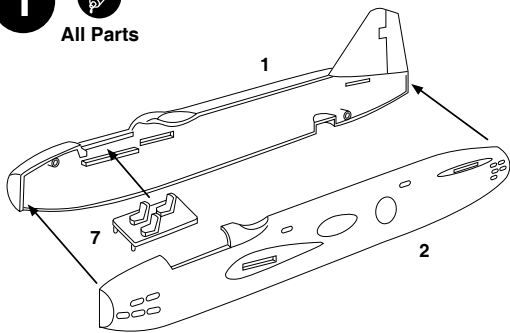
Minicraft Models, 1501 Commerce Drive, Elgin IL 60123 USA  
[www.minicraftmodels.com](http://www.minicraftmodels.com)

Your MINICRAFT G4M1 may be assembled with various options, such as 'In-flight' features as retracted landing gear and 'spinning' propeller. Parts are also provided for a 'stationary' or 'ground' version with extended landing gear. Please review the assembly steps to become familiar with the parts before beginning assembly.

## PARTS LAYOUT DIAGRAM

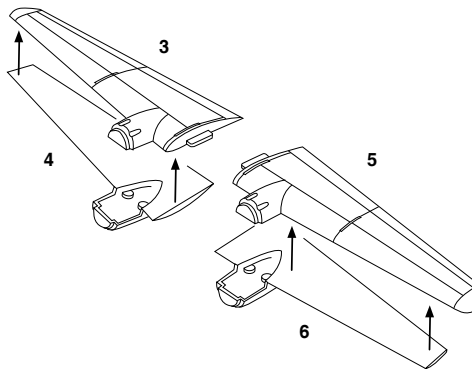


### 1 All Parts

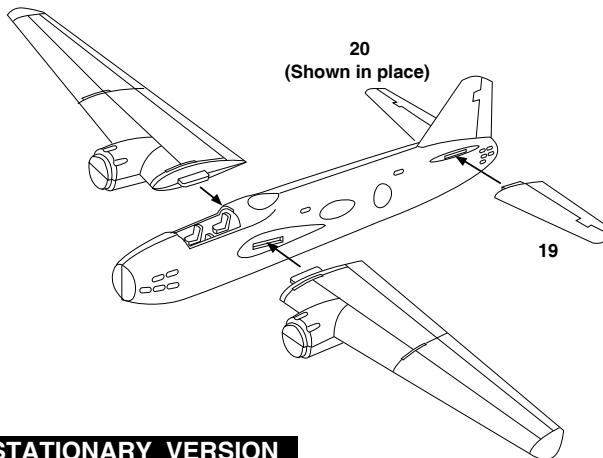


Interior PALE GREEN-GRAY  
Seat pads KHAKI

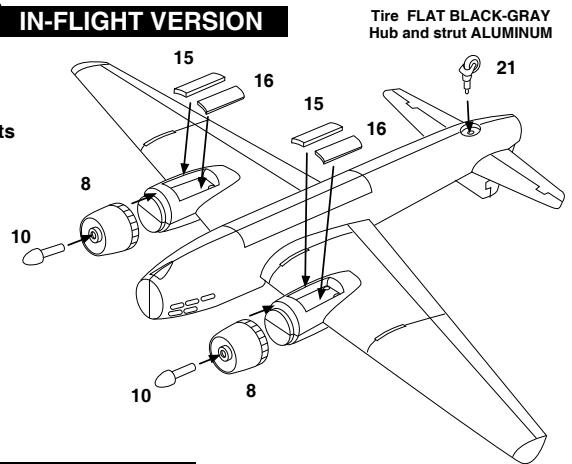
### 2 All Parts



### 3 All Parts



### 4 IN-FLIGHT VERSION

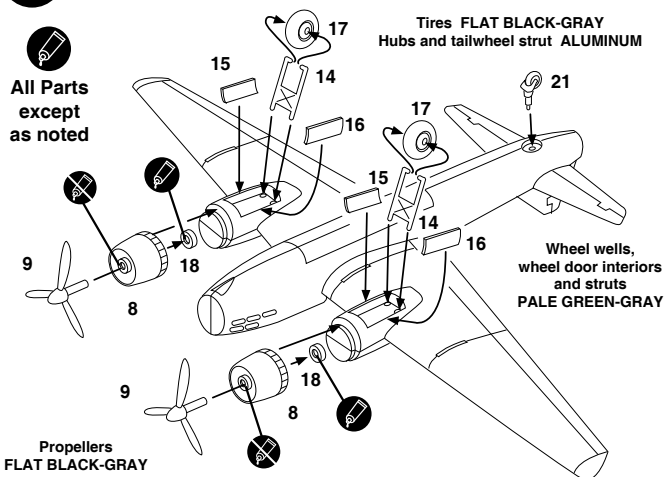


Tire FLAT BLACK-GRAY  
Hub and strut ALUMINUM

### 5 STATIONARY VERSION



All Parts  
except as noted

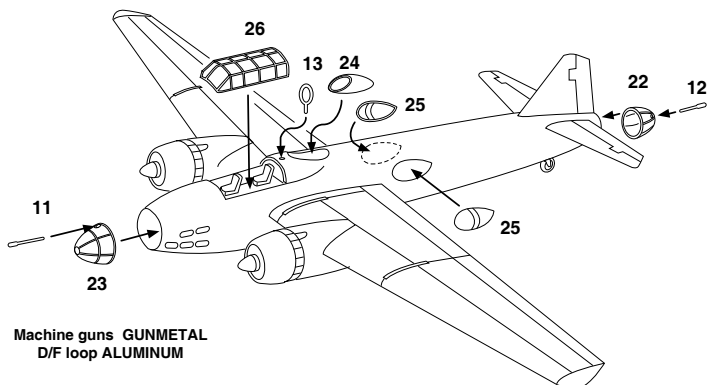


Tires FLAT BLACK-GRAY  
Hubs and tailwheel strut ALUMINUM

Wheel wells,  
wheel door interiors  
and struts  
PALE GREEN-GRAY

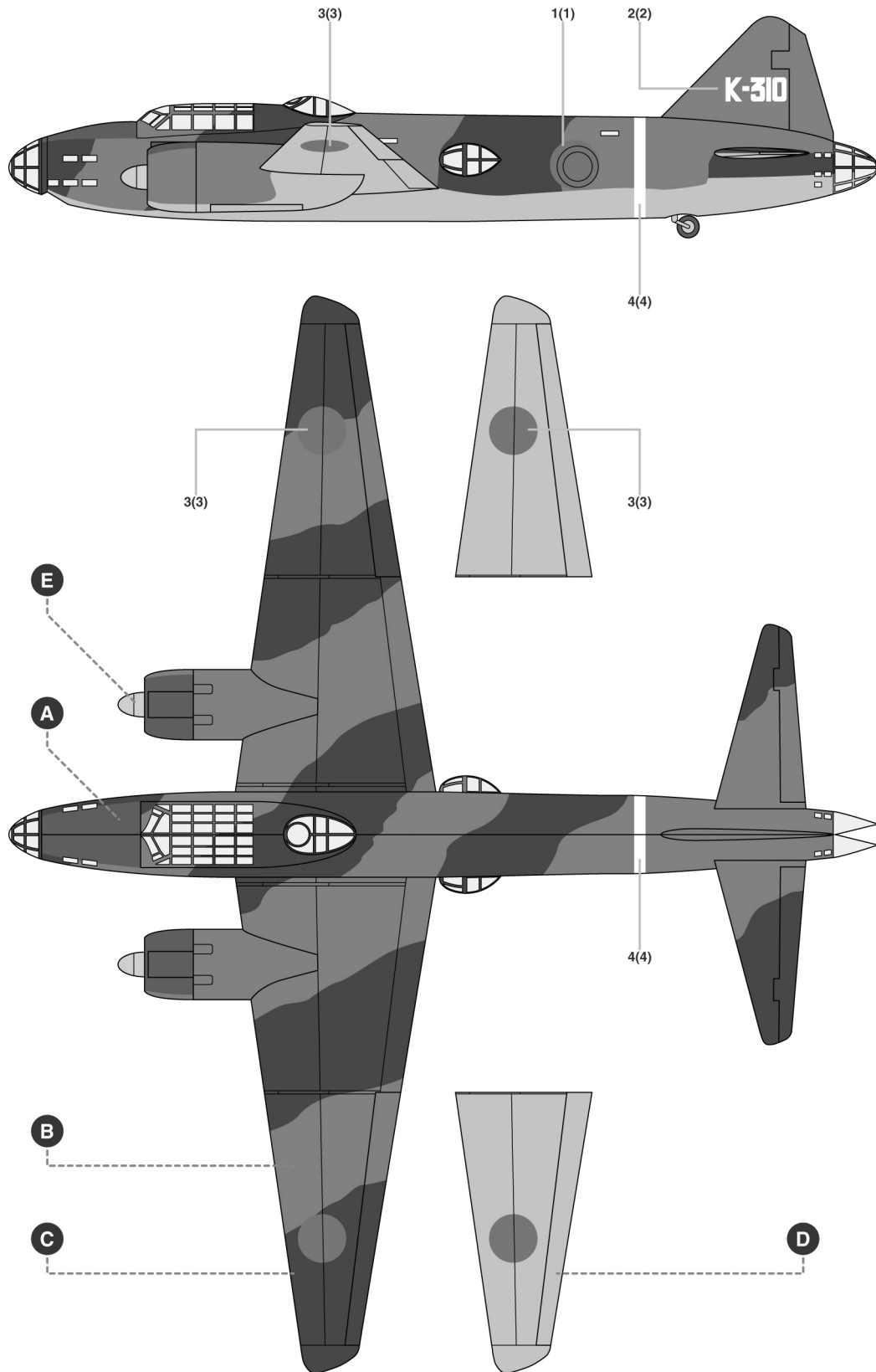
Propellers  
FLAT BLACK-GRAY

### 6 BOTH VERSIONS



Machine guns GUNMETAL  
D/F loop ALUMINUM

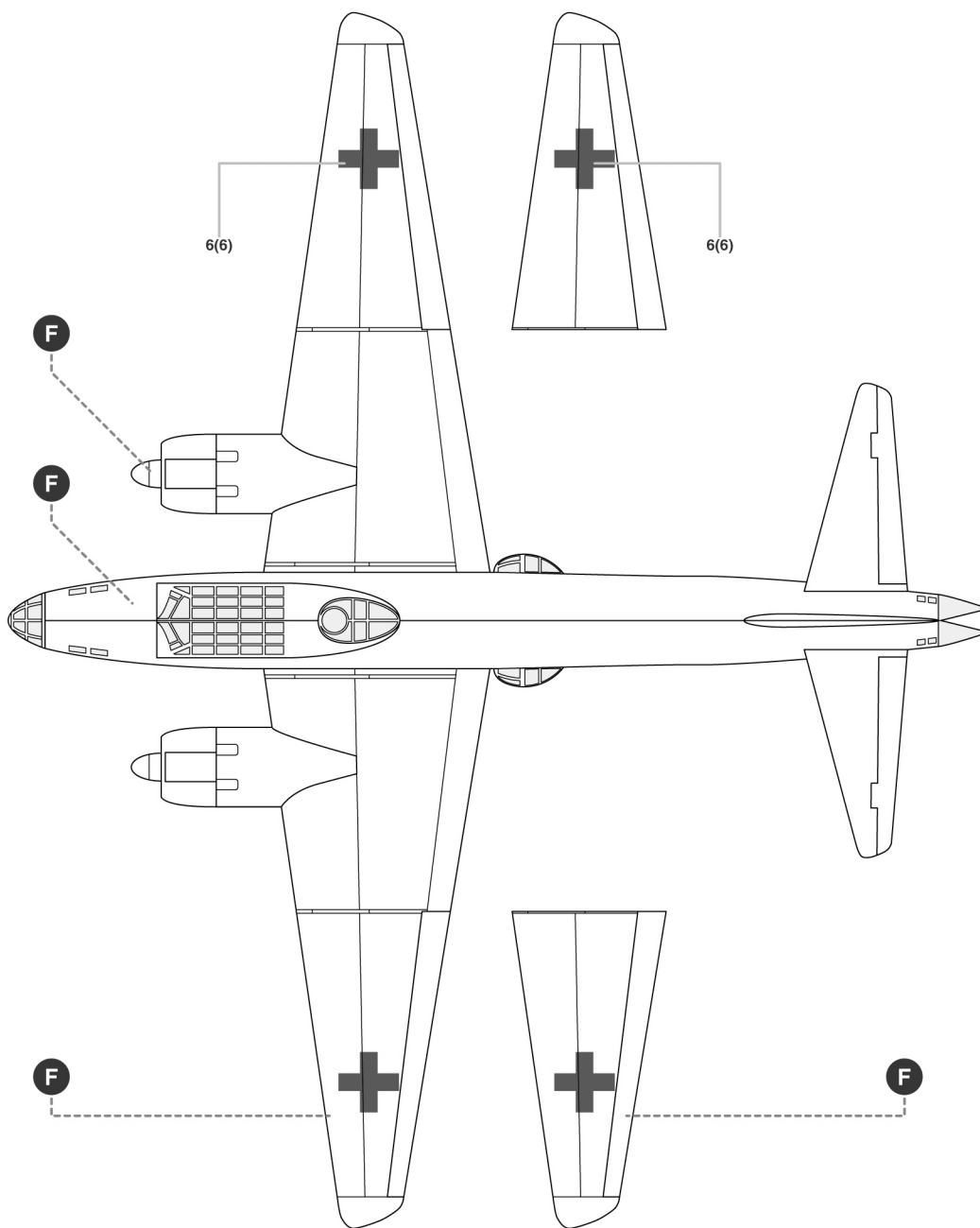
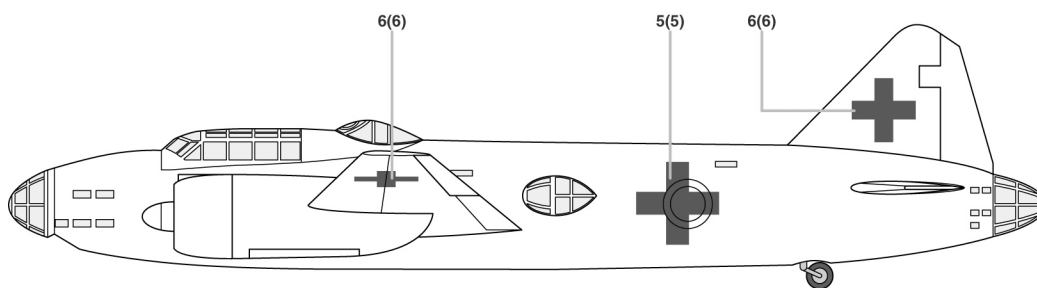
# G4M1 Betty, Sinking of HMS Prince of Wales and HMS Repulse, Dec 1941



## PAINTS

- A Weathered Black (ModelMaster 2079, Acryl 4779)
- B Japanese Navy Earth Brown (ModelMaster 1701, Acryl 4707)
- C Japanese Navy Black Green (ModelMaster 2116, Acryl 4780)
- D Japanese Navy Sky Gray (ModelMaster 2117, Acryl 4762)
- E Aluminum (ModelMaster 1781, Acryl 4677)
- F White (Weathered) (ModelMaster 1745, Acryl 4696)

# G4M1 Betty, Unconditional Surrender Scheme, Aug 1945



Your Minicraft model includes high-quality waterslide decals. These decals adhere best to a glossy surface; and it is recommended that you apply a clear gloss coat over your painted model.

Use a sharp scissors or knife to cut individual decals from the carrier sheet. Do not cut into the clear film surrounding the individual decals.

\* It is recommended that you apply one decal at a time.

\* Place the decal section in warm water, when first inserted in the water your decal will curl, after approximately ten seconds the decal will uncurl. Remove from water and lay on a paper towel. After approximately 10 - 20 seconds the decal will slide freely from the backing paper. Use a small brush to help slide the decal from the backing paper and into position on the model. Carefully blot excess water from the decal, using care not to move the decal or tear it.

\* If you choose to use a setting solution, apply a thin coat over the decal following the manufacturer's instruction.

\* Allow the decal to dry overnight. Wash any adhesive residue off the model with a small amount of clean water and dry thoroughly.

\* Apply clear gloss, matte or flat coat to seal decals following the instructions from the manufacturer.



*Legends in the making™*

Visit our Website-  
[www.minicraftmodels.com](http://www.minicraftmodels.com)

Minicraft Models  
1501 Commerce Drive  
Elgin, IL 60123

Phone: 847-429-9676