

Set AC72-70

AIR WAVES

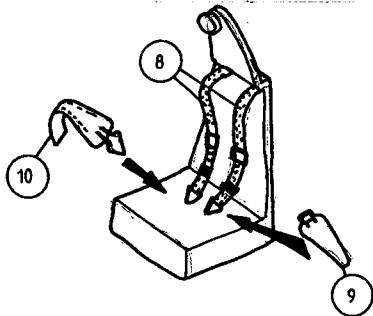
Heinkel He 219

This detail set is manufactured from photo etched brass sheet and is meant for use on the Dragon model kit.

Use a sharp modelling knife on a firm surface to separate components from frame. Tag scars can be cleaned by holding part in pliers and using a fine file. To fold part support up to line of fold in pliers, and fold in one go using a screwdriver blade for leverage. For assembly use superglue or five minute epoxy. Ensure that parts are thoroughly cleaned in detergent and primed prior to painting. Position of parts in diagrams is for guidance only, for final positioning see reference material.

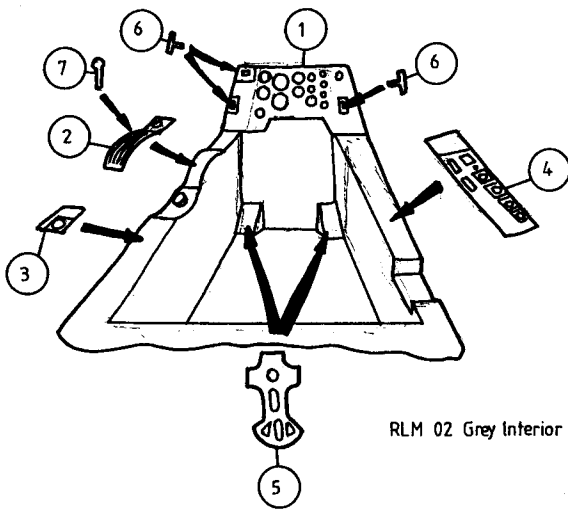
Airwaves are distributed by E.D. Models, 64 Stratford Road, Shirley, Solihull, West Midlands B90 3LP, England. Telephone: 021-744-7488

1 Harnesses (X2)



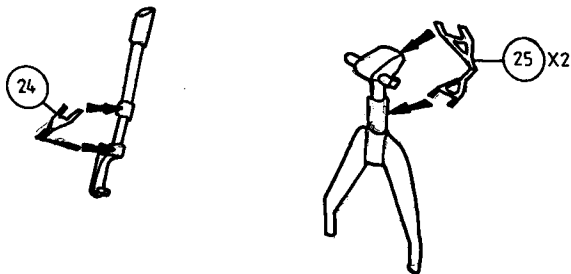
Green belts, silver buckles

2 Front Cockpit



RLM 02 Grey Interior

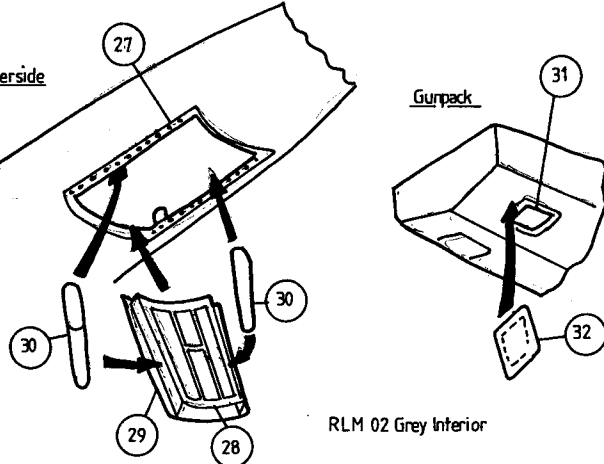
4 Torque Links



5 Hatches

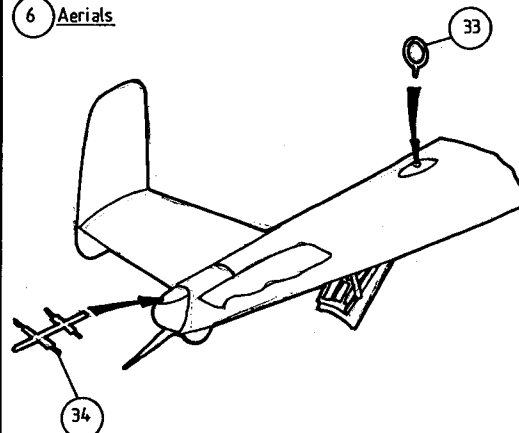
Rear Underside

Gurpack

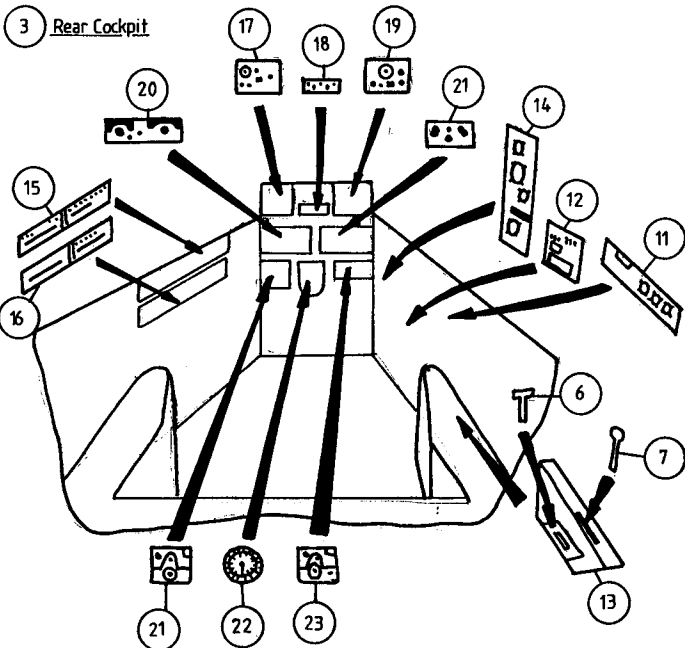


RLM 02 Grey Interior

6 Aerials



3 Rear Cockpit



7 Component Frame Layout

