

1/72 SCALE

ITEM NO.:01683



# F-106B Delta Dart

## 美国F-106B“三角标枪”截击机

### READ BEFORE ASSEMBLY:

- This kit is not recommended for inexperienced modelers or for children under 14 years of age
- Study and understand these instructions thoroughly before beginning assembly
- When needed, remove photo-etch parts carefully using a modeling knife or photo etch sprue cutter, being careful not to damage or lose small parts.
- Take extra care in handling photo etch parts in order to avoid injury
- Apply instant cement sparingly to photo etch parts where instructed
- Tools recommended(not included in kit):Plastic and instant cements,sprue cutters,long nose pliers,modeling knife, small files, tweezers, pin vise & scissors. Soft cloth and sandpaper will also assist in construction
- Glue and paint are not included in the kit. Use plastic cement and hobby paints only. Color guide for purchasing paint is included in the kit.
- Keep out of reach of children. They must not be allowed to ingest small parts or handle plastic bags in any way.

### 装配之前仔细阅读

- 小心用模型锉刀锉平所有零件表面的注射浇口。
- 小心用刀片切下蚀刻片零件，不要遗失小零件。
- 用强力快干胶水粘合蚀刻片零件和金属轴。过量的快干胶水使用可能导致可动零件会粘住，小心涂胶。
- 取蚀刻片时应特别注意安全，防止利边划伤手指。
- 某些零件表面需贴水上贴纸，请选择在装配的同时进行。
- 推荐模型工具(自备)：胶水，水口剪刀，长咀钳，刀片，锉刀，镊子钳，钻，剪刀，瞬间快干胶。
- 软布同砂纸同时也应该是必备工具。
- 请使用塑料胶水和油漆，模型内不含。
- 谨防小孩吸吮塑料零件，或者将塑料袋套在头上，制作时应将套材远离小孩接触。
- 本产品不适合14岁以下没有经验的模型爱好者。

### 水贴纸的使用:

1. 从水贴上剪下印花;
2. 将印花放入温水中浸10秒, 然后放在干净布上。
3. 拿着印花纸板将印花移到模型上;
4. 手指蘸水将印花移到适当的位置;
5. 用软布轻压印花直至水干, 气泡消失。

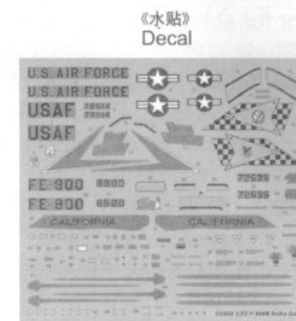
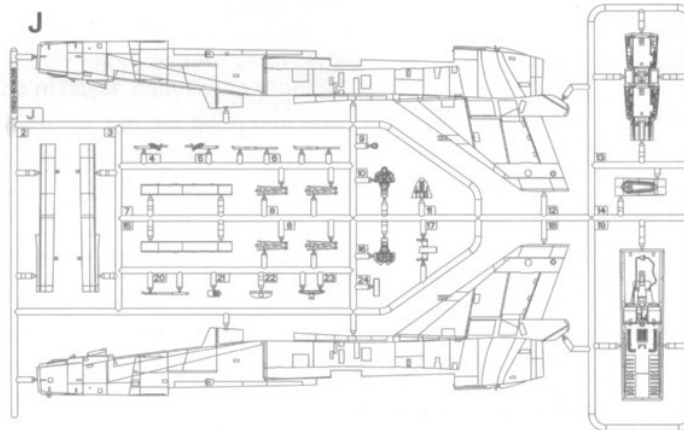
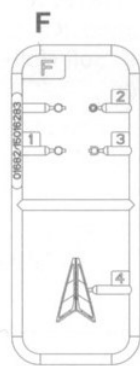
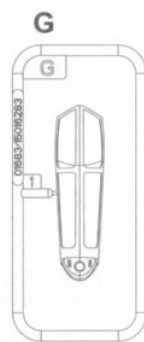
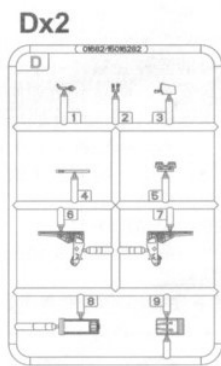
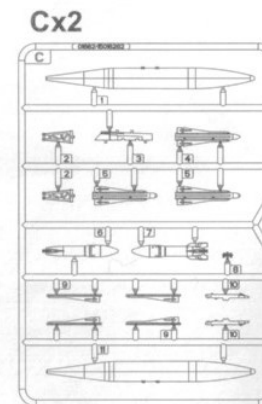
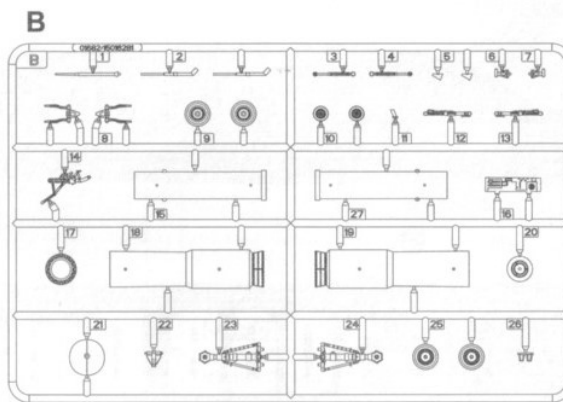
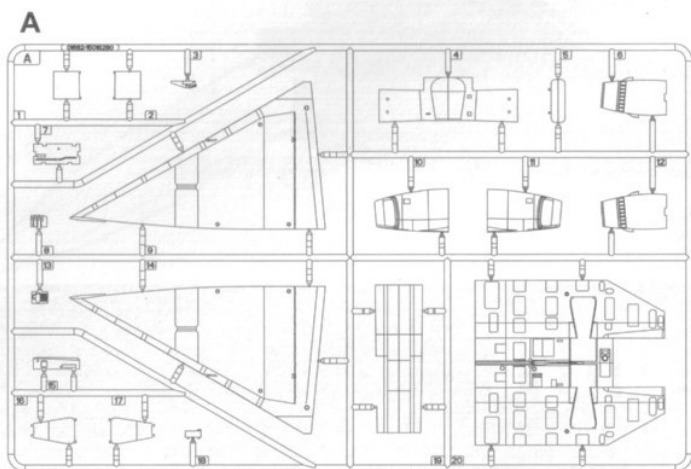
### DECAL APPLICATION:

1. Cut decals from sheet as needed
2. Dip the decal in warm water for about 10 seconds and then place on soft clean cloth.
3. Hold the decal backing sheet edge and gently slide the decal onto the model in its proper position.

4. While still wet, decal can be adjusted for better fit on model by dampening it gently with your finger.
5. When placed in the proper position, gently press decal down with a soft cloth until excess water and air bubbles are gone.
6. Allow decal to dry completely before handling model



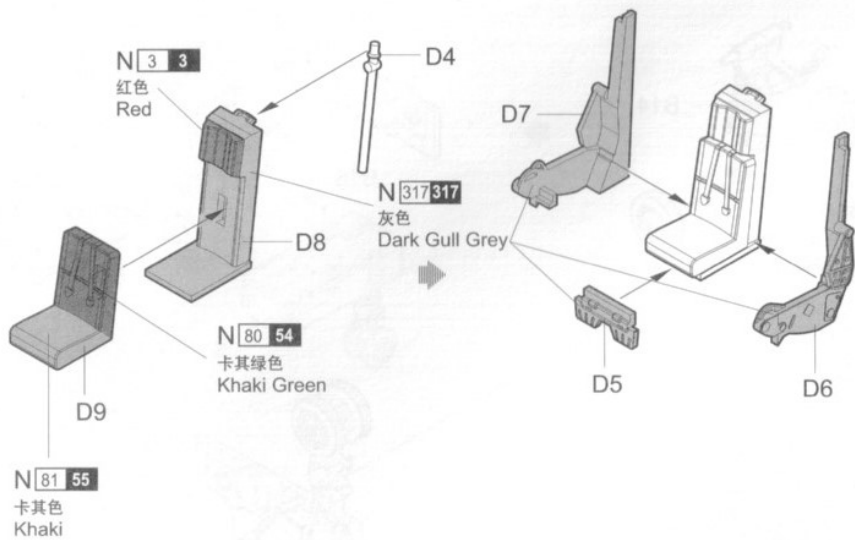
部品图  
Parts



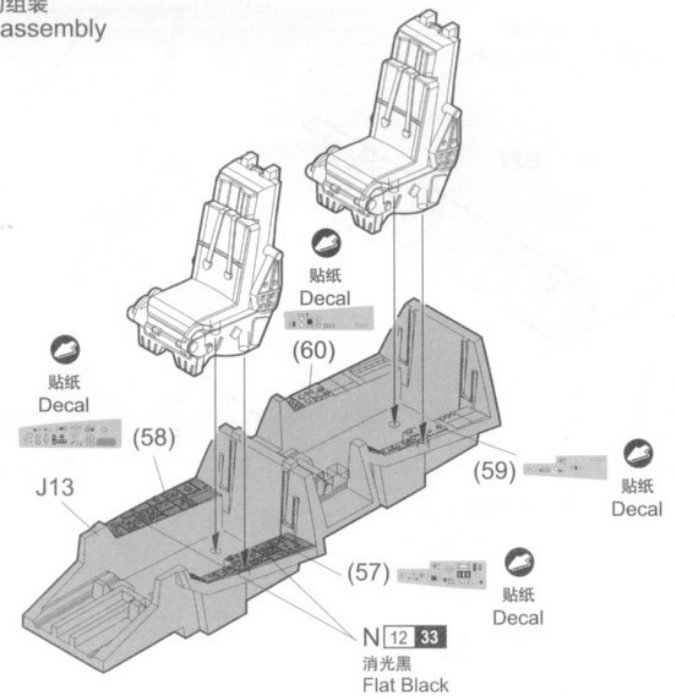
不用的零件: B22  
Unused parts

**1** 座椅的组装  
Seat chair assembly

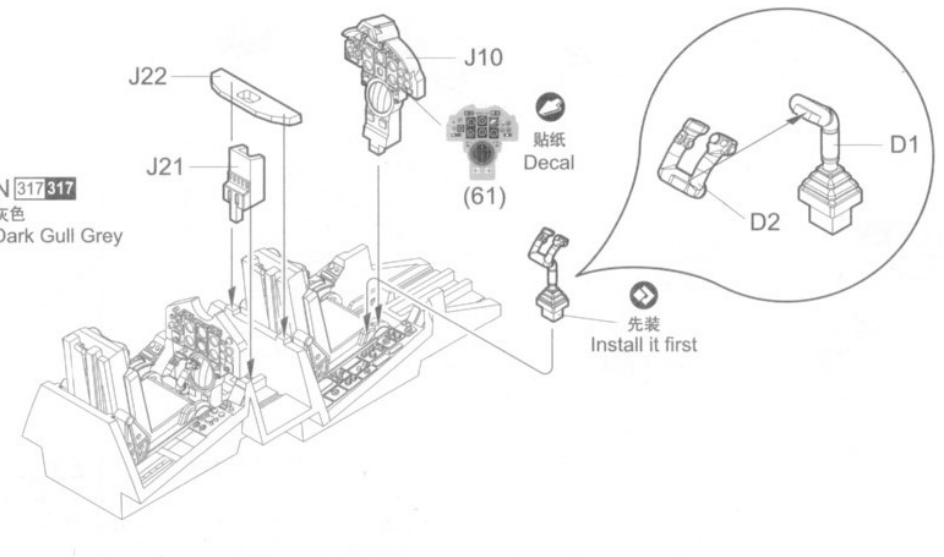
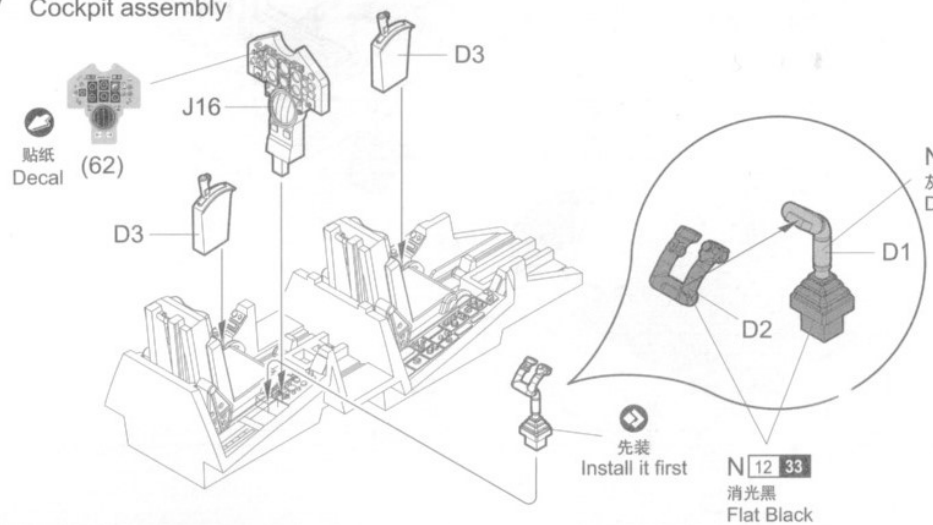
制作2组  
Make two



**2** 座舱的组装  
Cockpit assembly

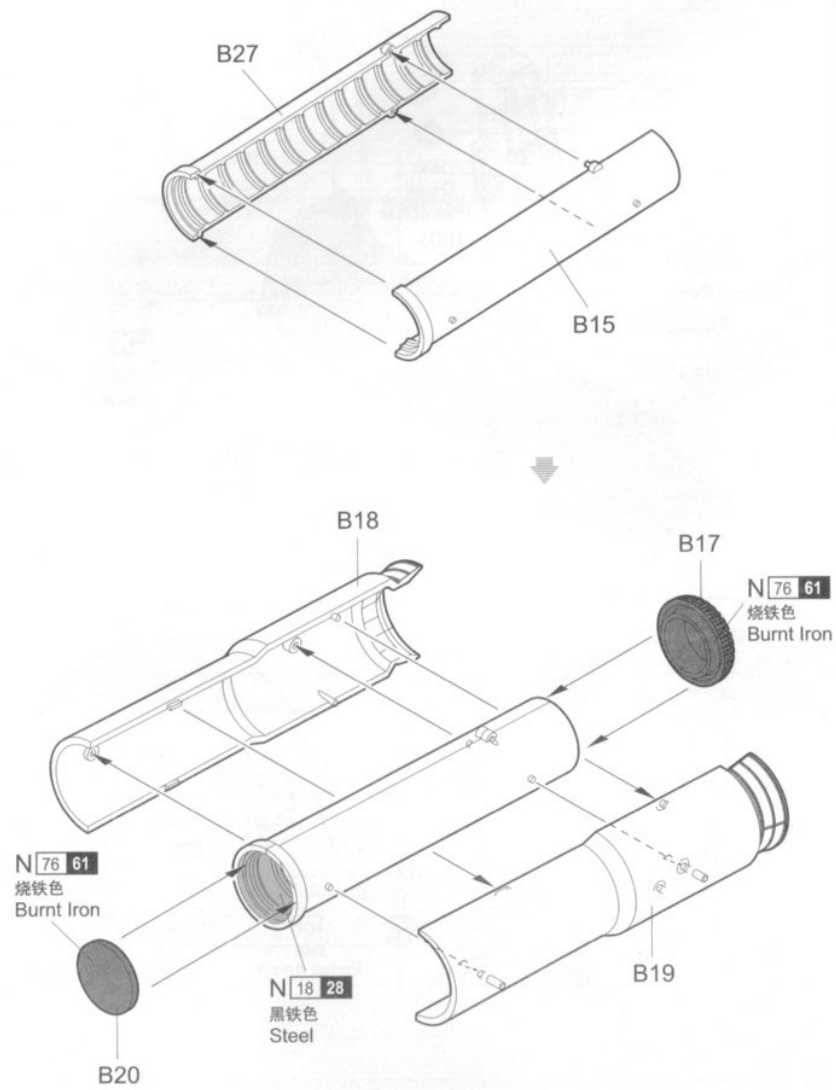


**3** 座舱的组装  
Cockpit assembly



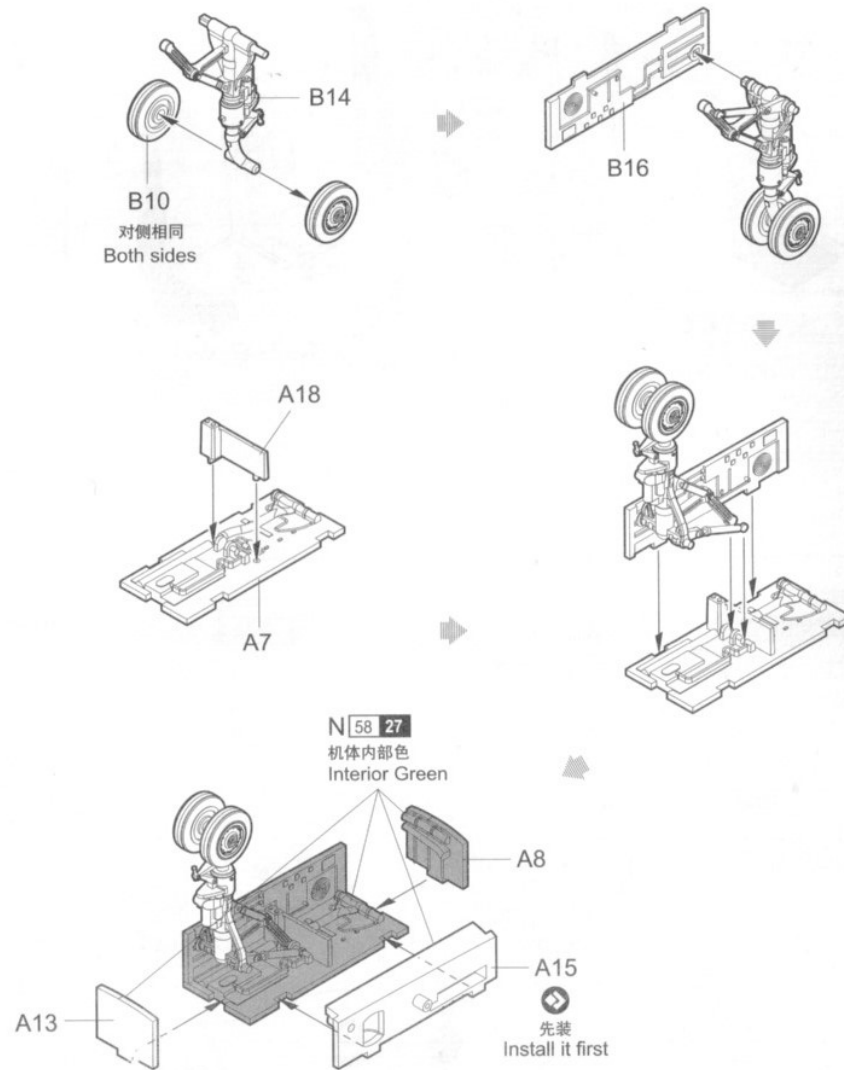
4

发动机的组装  
Engine assembly



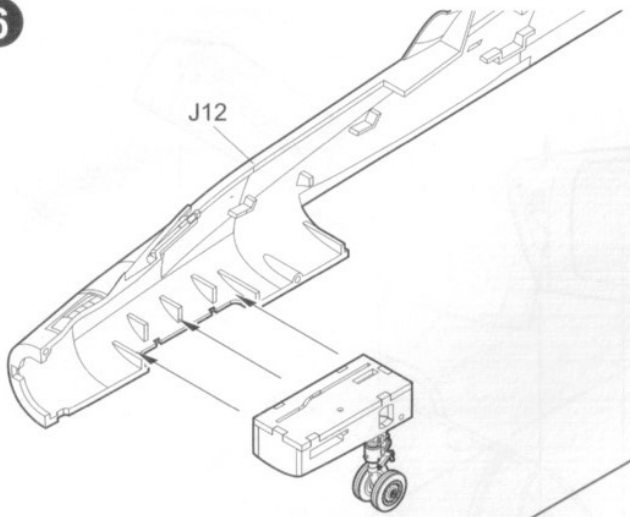
5

前起落架的组装  
Nose undercarriage assembly



6

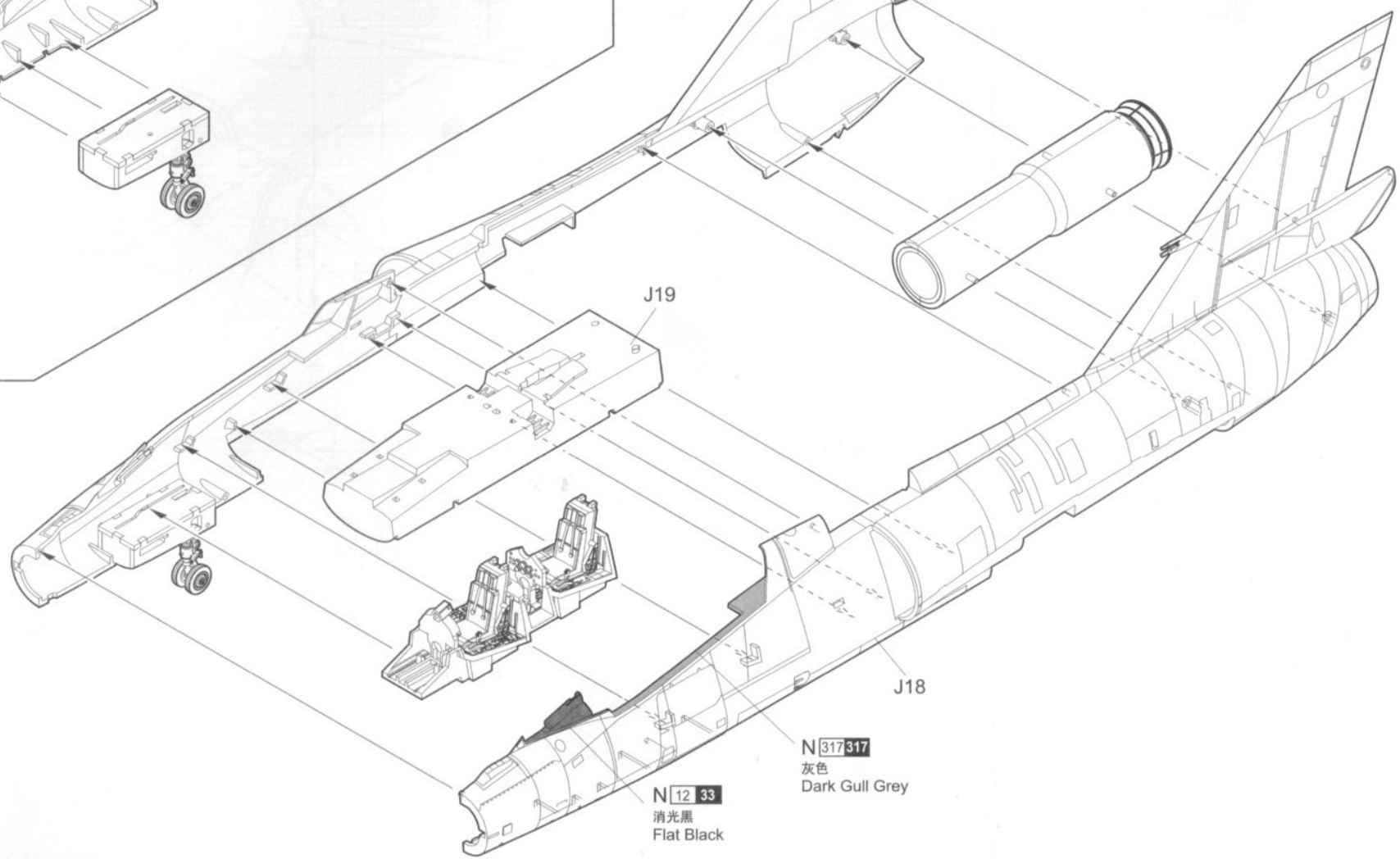
J12



7

J12

N 58 27  
 机体内部色  
 Interior Green



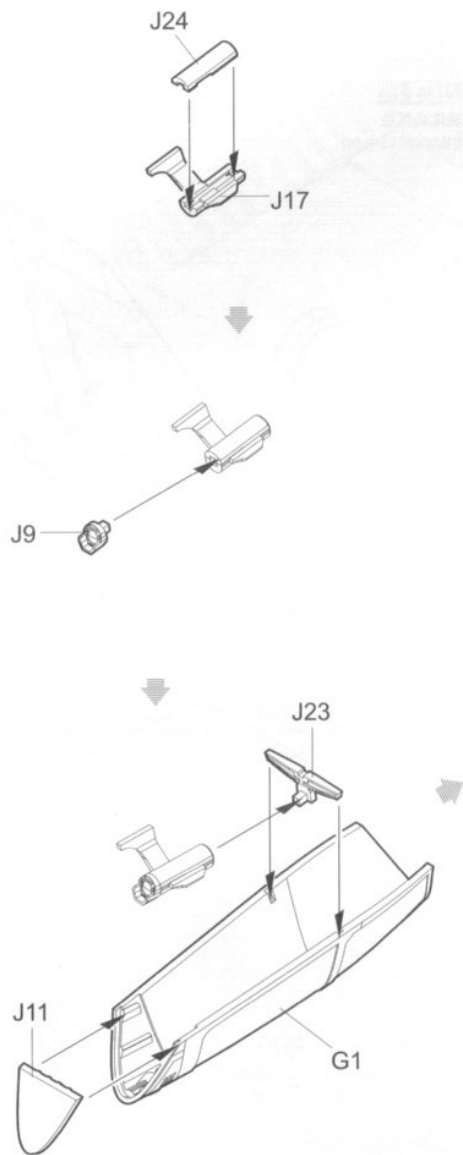
J19

J18

N 317 317  
 灰色  
 Dark Gull Grey

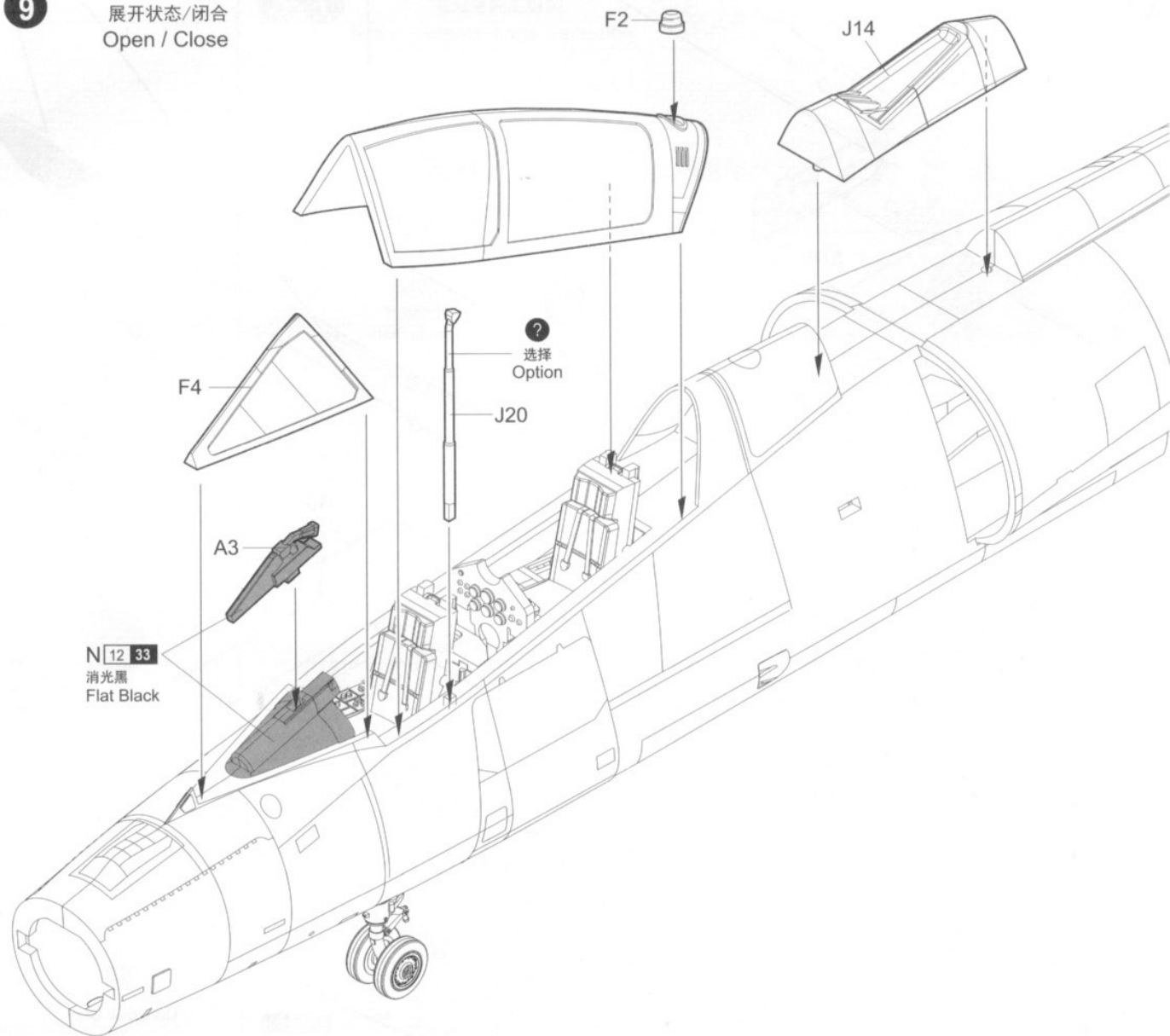
N 12 33  
 消光黑  
 Flat Black

8

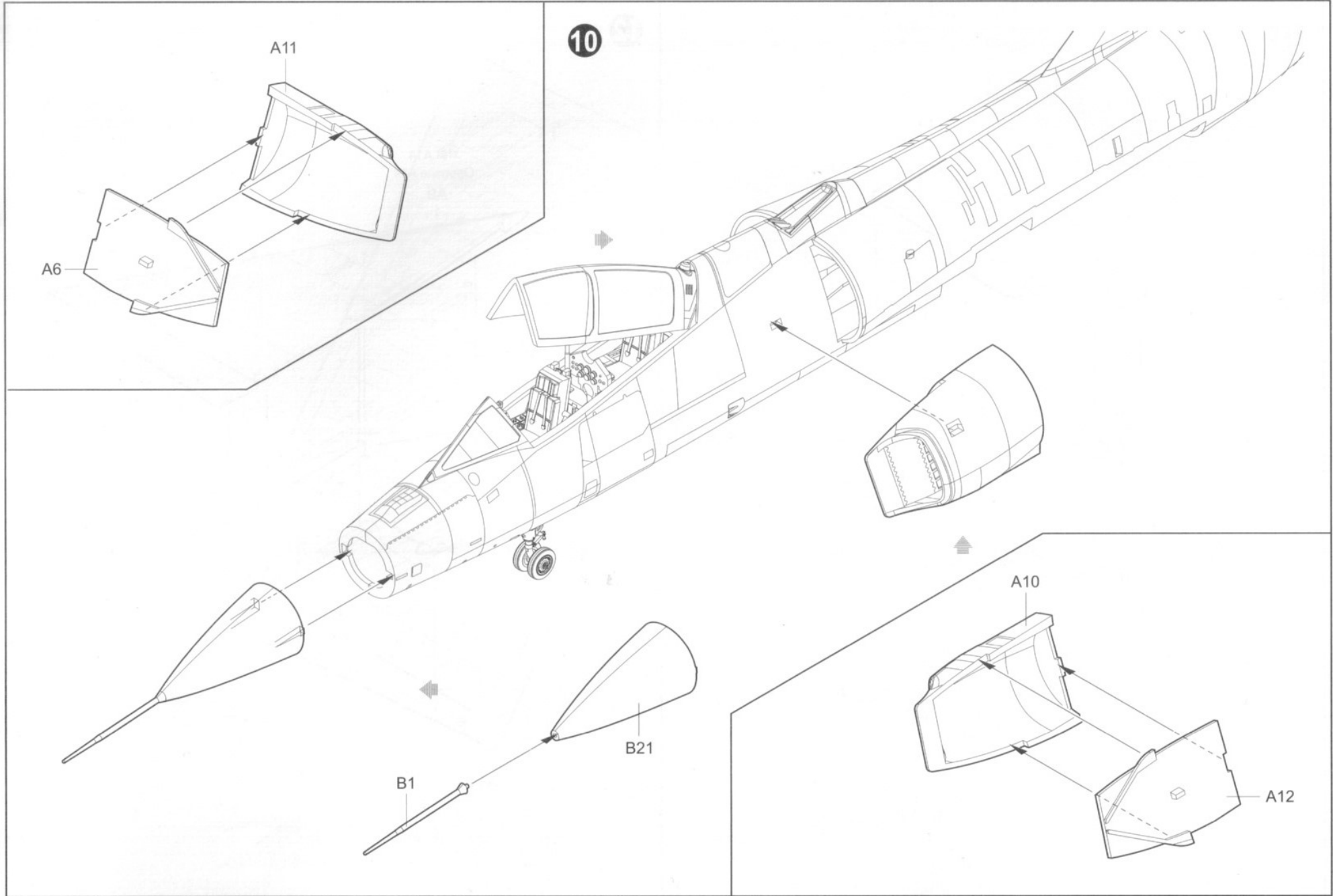


9

展开状态/闭合  
Open / Close



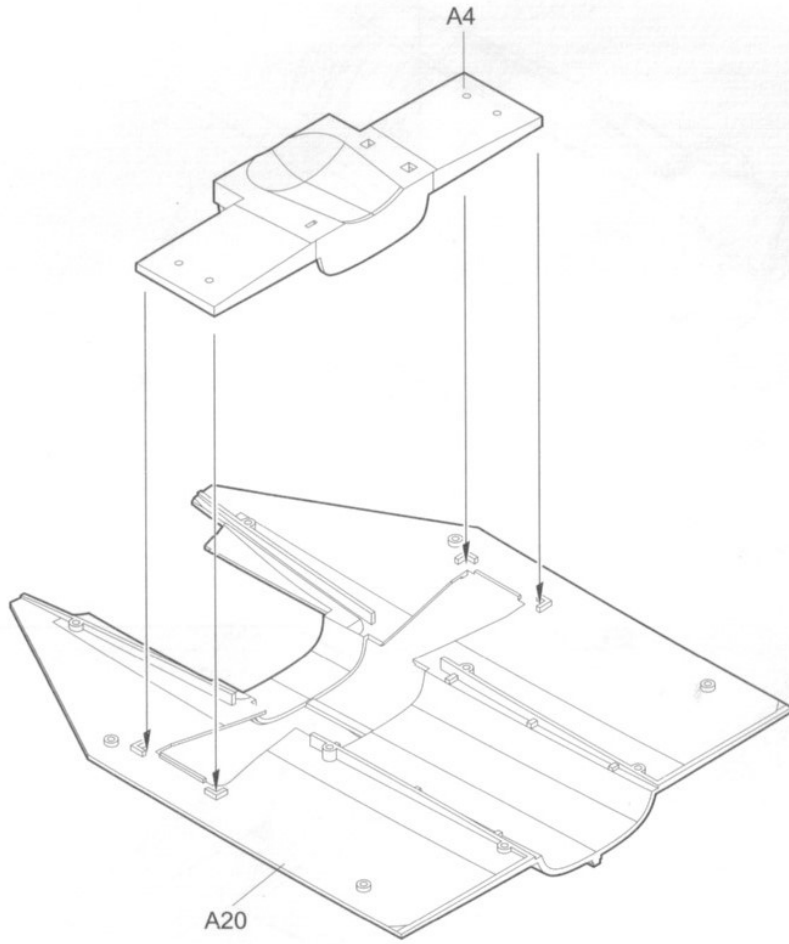
10



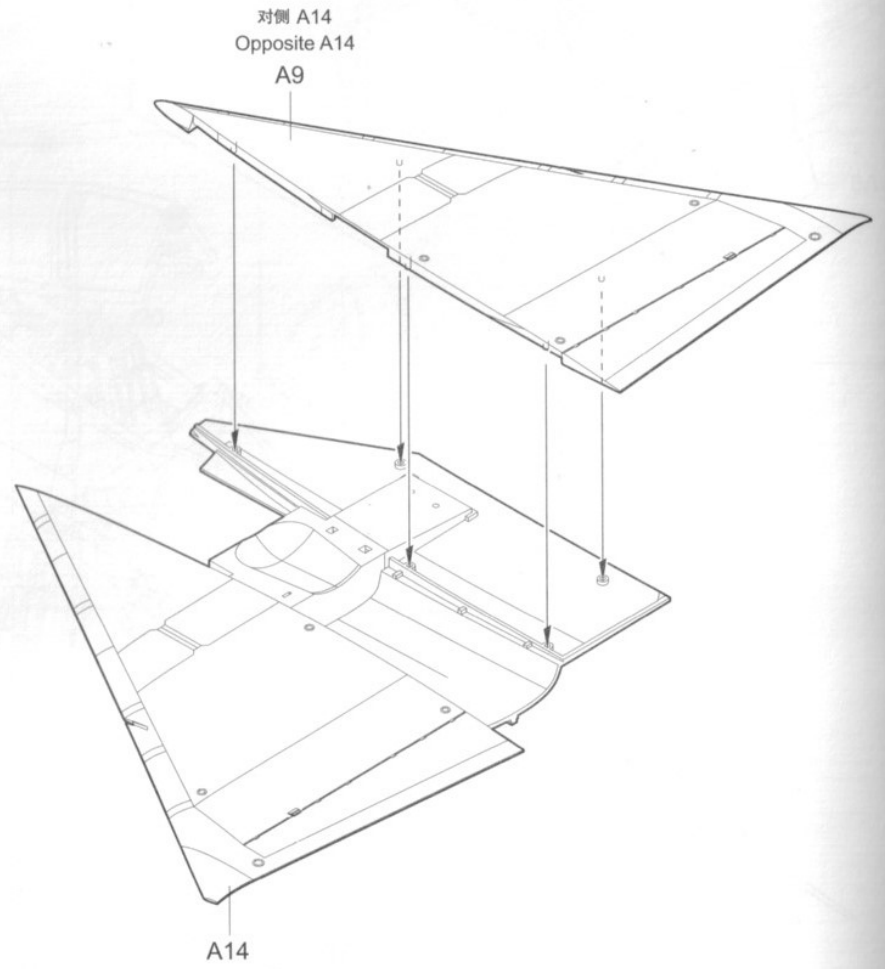
01683

7

11

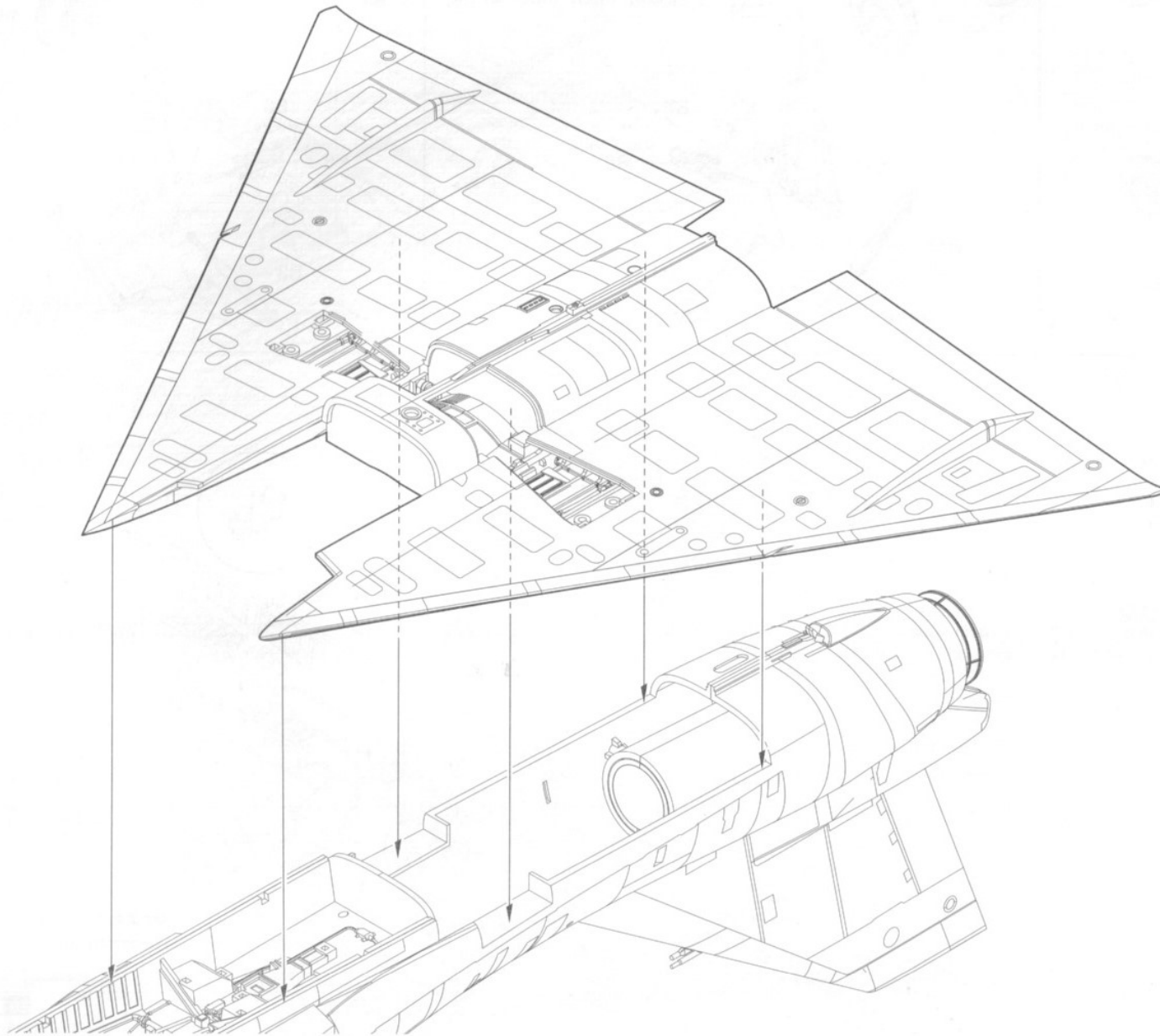


12





13

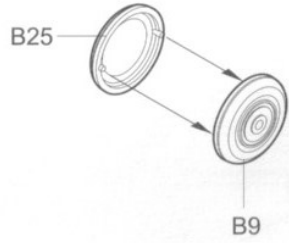


01683

9

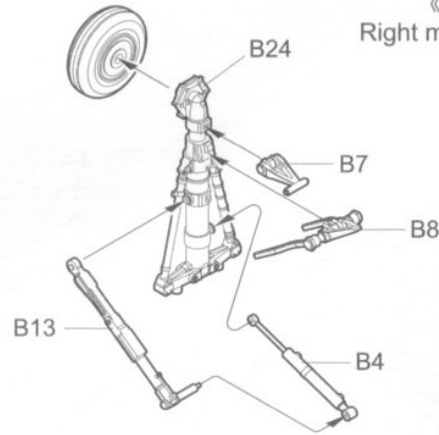
14

制作2组  
Make two



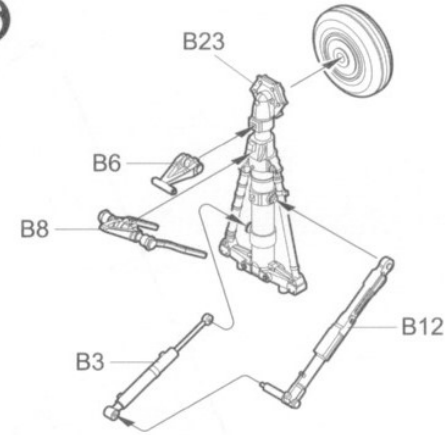
15

《右侧起落架》  
Right main undercarriage



16

《左侧起落架》  
Left main undercarriage



17

对侧 A16  
Opposite A16  
A17

N 58 27  
机体内部色  
Interior Green

N 8 8  
银色  
Silver

对侧相同  
Both sides  
F1

《右侧起落架》  
Right main undercarriage

C6+C7

C8

C8

C8

J1  
选择  
Option

《左侧起落架》  
Left main undercarriage

展开状态/闭合  
Open / Close

展开状态/闭合  
Open / Close

A19

18

选择  
Option

对侧相同  
Both sides

B5

对侧 A1  
Opposite A1

B26

A2

J15  
对侧 J7  
Opposite J7

J3  
对侧 J2  
Opposite J2

J4  
对侧 J5  
Opposite J5

A5

B11

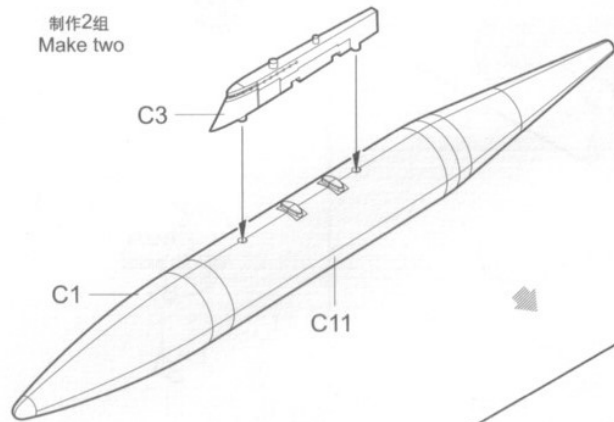
F3

F3

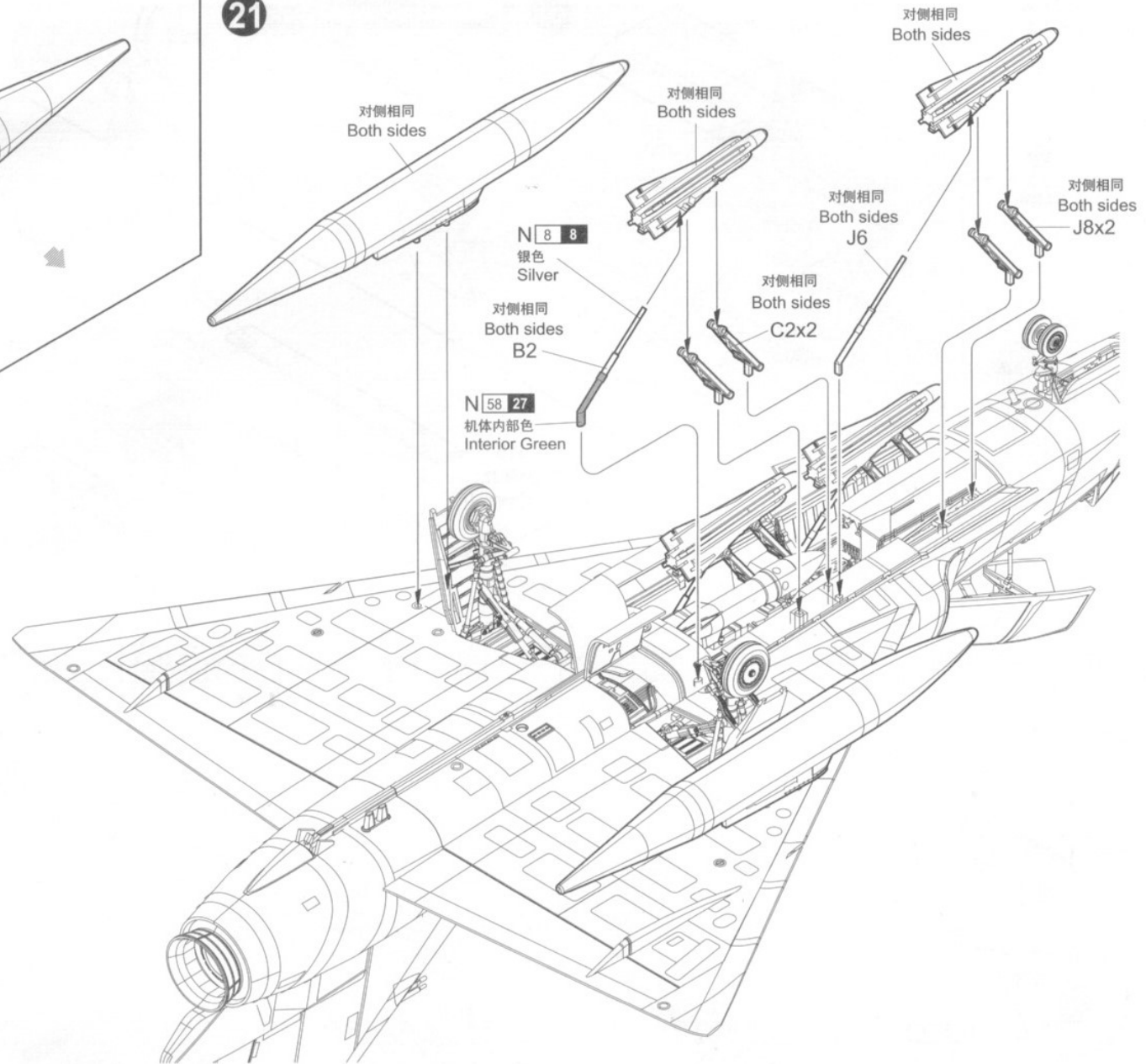
N 8 8  
银色  
Silver

19

制作2组  
Make two

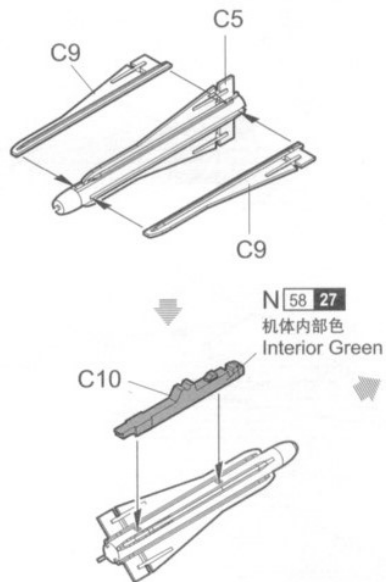


21



20

制作4组  
Make four



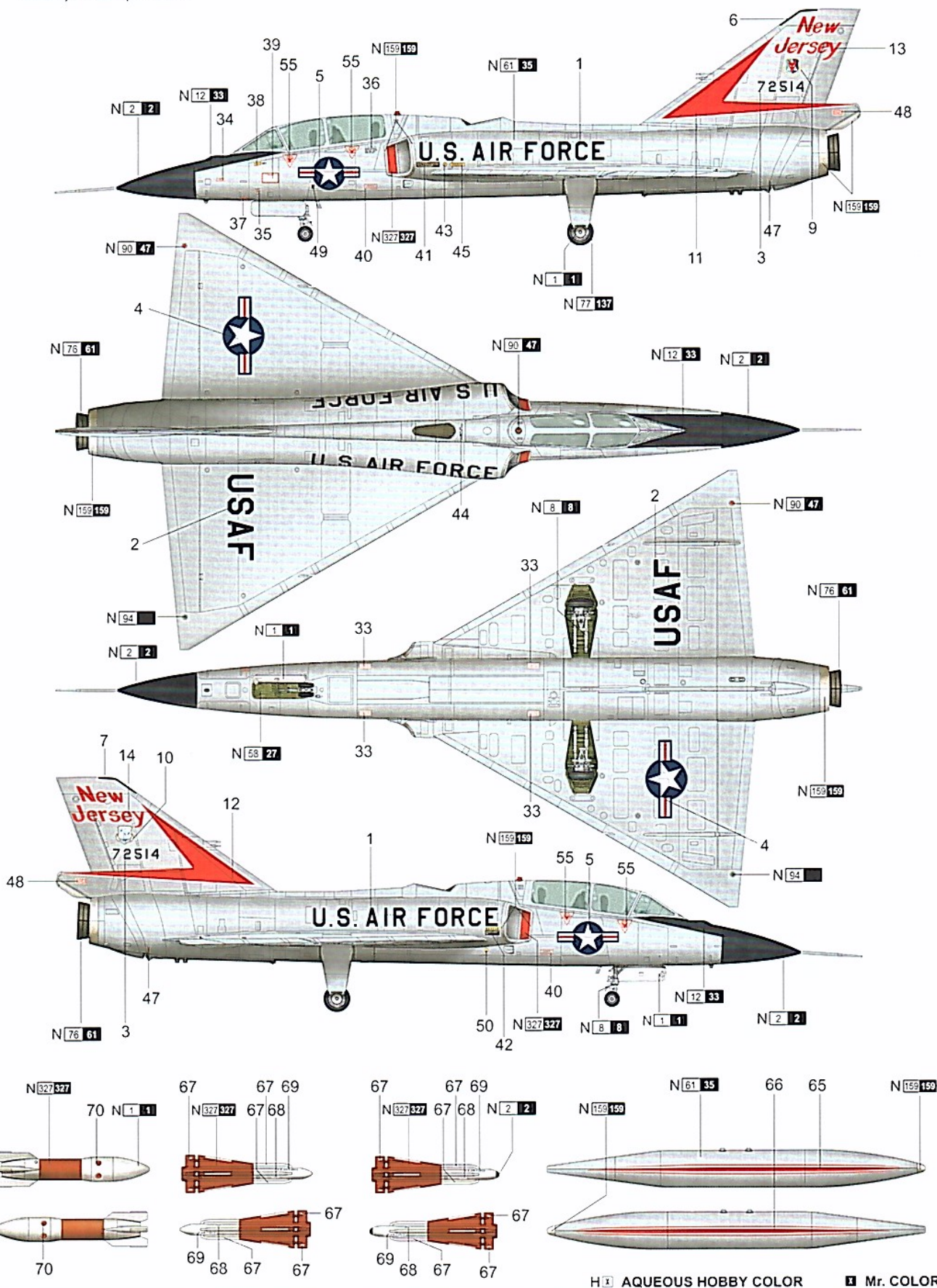
N 58 27  
机体内部色  
Interior Green

# 涂装同标贴指示 Painting & Marking guide

**A** USA, Air Force, 119th Fighter-Interceptor Squadron, 177th Tactical Fighter Wing "Jersey Devils", New Jersey Air National Guard, F-106B, 57-2514

PAINT REFERENCE COLOUR					
Color	Mr.Hobby	Vallejo	Model Master	Tamiya	Humbrol
1 明灰色 In Gray	N 61 35	907	1731	-	146
2 黑 Black	N 2 2	861	1747	X1	21
3 银 Silver	N 8 8	997	1546	X11	11
4 机坪内绿色 Interior Green	N 58 27	-	-	-	-
5 胎黑色 Tire Black	N 77 137	-	-	-	-
6 超银色 Super Silver	N 159 159	-	-	-	-

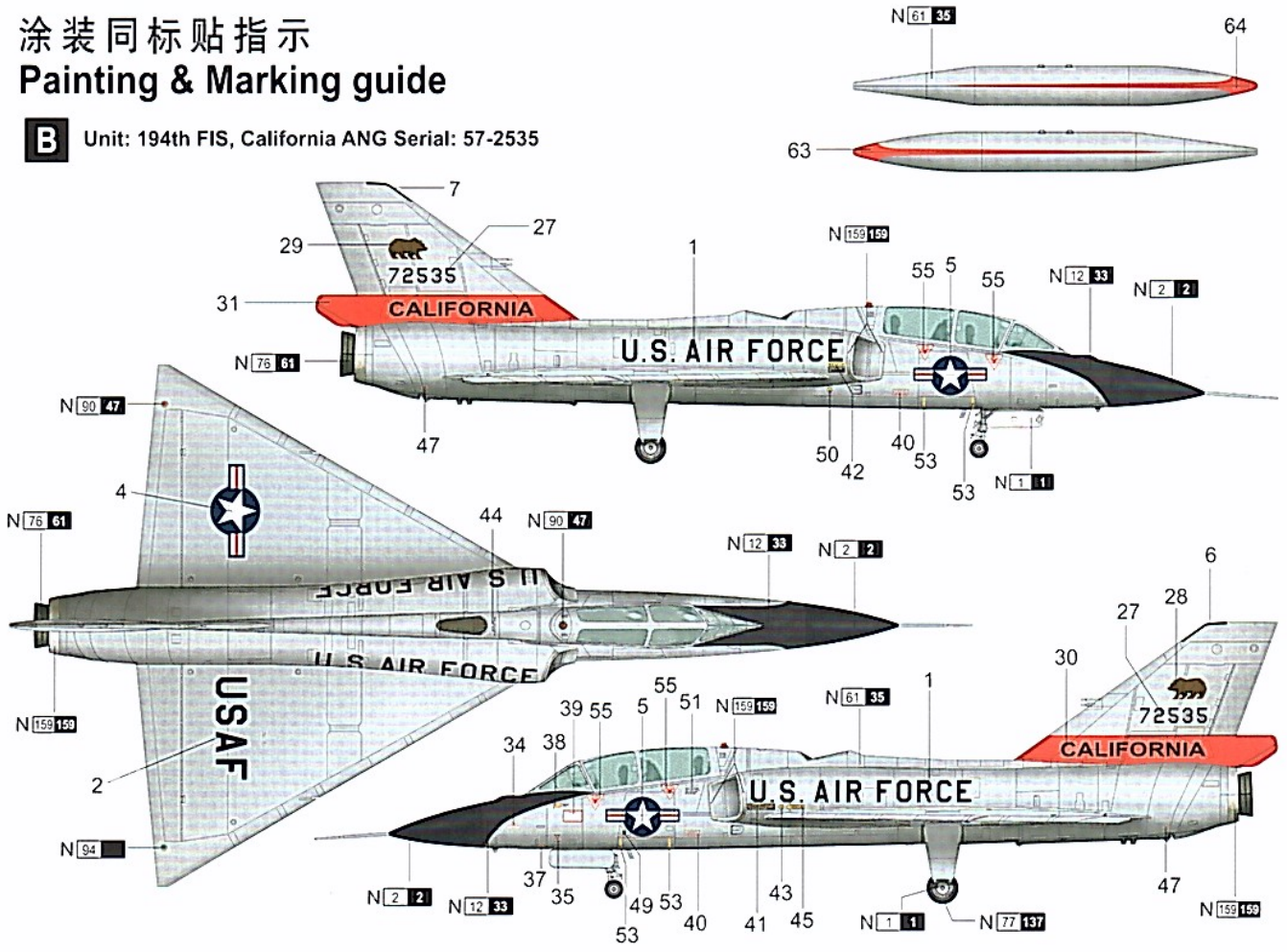
PAINT REFERENCE COLOUR					
Color	Mr.Hobby	Vallejo	Model Master	Tamiya	Humbrol
7 烧铁色 Burnt Iron	N 76 61	863	1795	X10	53
8 白色 White	N 1 1	842	1745	X2	22
9 红色 Insignia Red	N 327 327	957	1705	XF7	153
10 透明红 Clear Red	N 90 47	934	-	X27	-
11 透明绿 Clear Green	N 94	-	-	-	-
12 消光黑 Flat Black	N 12 33	950	1749	XF1	33



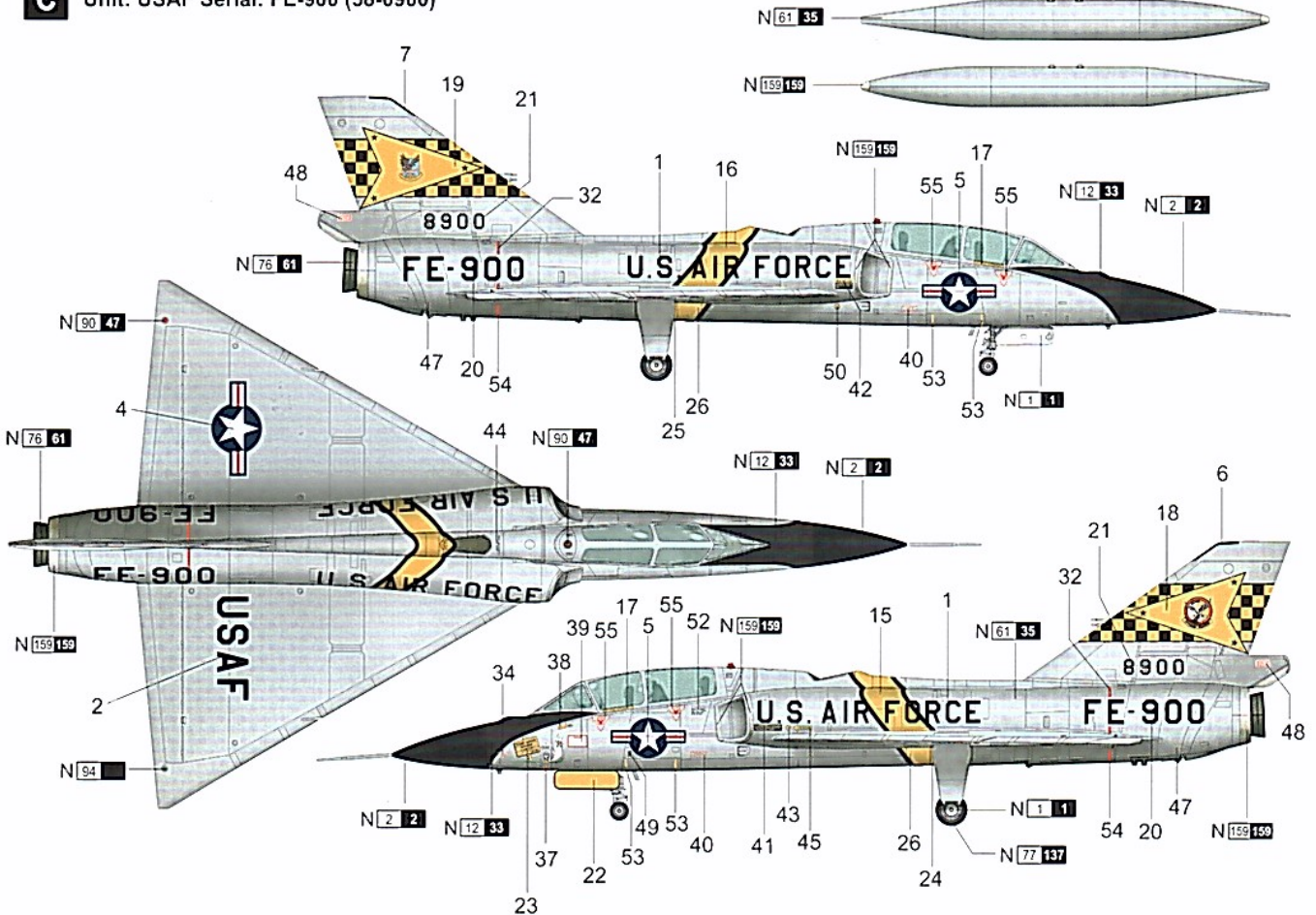
H AQUEOUS HOBBY COLOR    M Mr. COLOR

# 涂装同标贴指示 Painting & Marking guide

**B** Unit: 194th FIS, California ANG Serial: 57-2535



**C** Unit: USAF Serial: FE-900 (58-0900)



H AQUEOUS HOBBY COLOR    ■ Mr. COLOR