

CANADIAN ARMED FORCES F-18A "MILLENNIUM HORNET"

DECAL SET # 72.22 1/72 SCALE

48.22 1/48 SCALE

**Leading
Edge**
MODELS

*Limited Edition Model Decal
Master Modeller Edition*



Inward facing sides of vertical stabilizers

Canadian Armed Forces CF-18

2000

410 Squadron, CFB Cold Lake



MATT BLACK

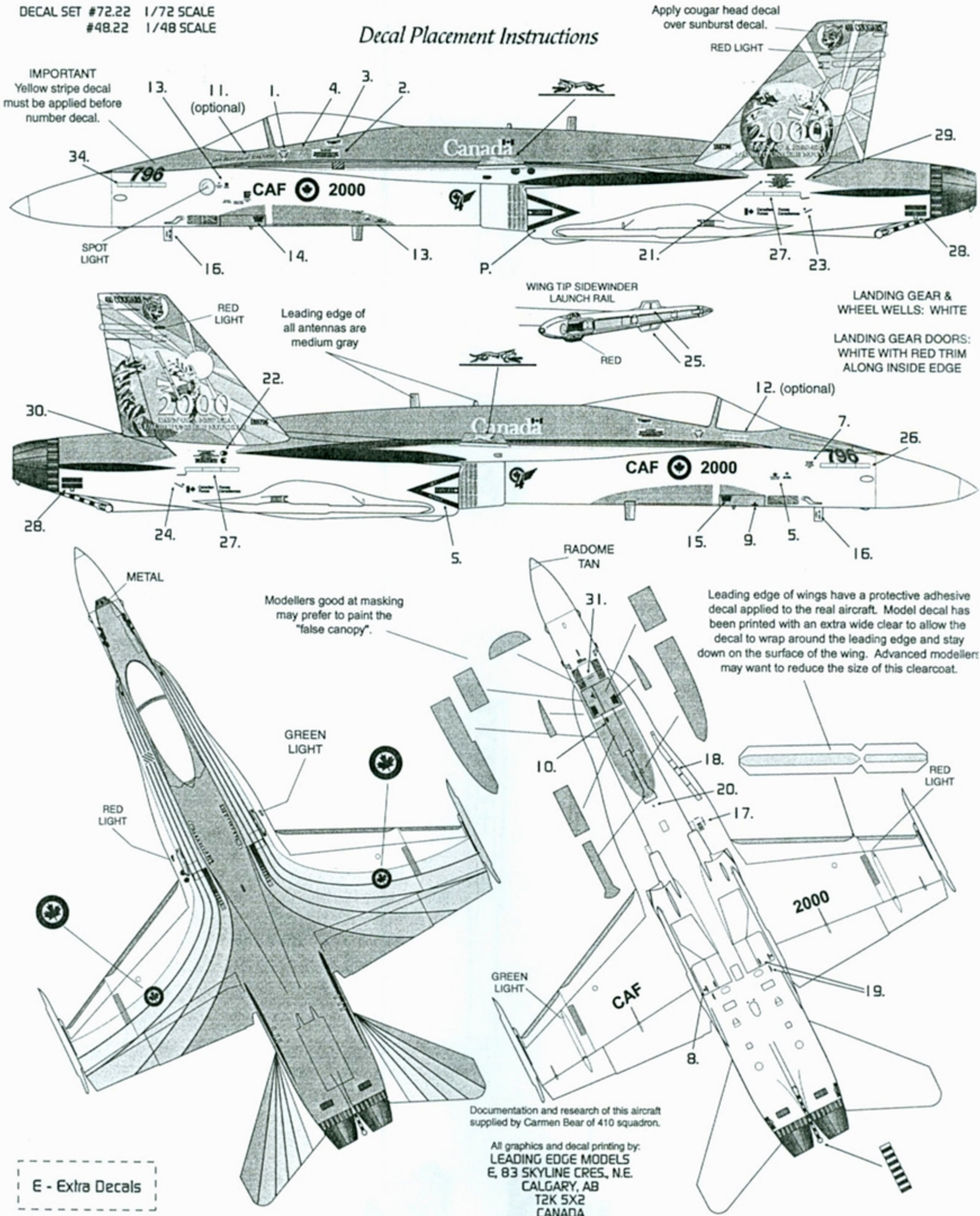
LIGHT GRAY: FS#36375

LIGHT YELLOW

CANADIAN ARMED FORCES F-18A "MILLENNIUM HORNET"

DECAL SET #72.22 1/72 SCALE
 #48.22 1/48 SCALE

Decal Placement Instructions



Apply cougar head decal over sunburst decal.

RED LIGHT

IMPORTANT
 Yellow stripe decal must be applied before number decal.

13.

11. (optional)

4. 3. 2.

34. 796

CAF 2000

SPOT LIGHT

16.

14.

13.

P.

21.

27.

23.

29.

28.

WING TIP SIDEWINDER LAUNCH RAIL



RED

25.

LANDING GEAR & WHEEL WELLS: WHITE

LANDING GEAR DOORS: WHITE WITH RED TRIM ALONG INSIDE EDGE

Leading edge of all antennas are medium gray

22.

12. (optional)

7.

Canada

CAF 2000

26.

796

30.

28.

24.

27.

5.

15.

9.

5.

16.

METAL

Modellers good at masking may prefer to paint the "false canopy".

GREEN LIGHT



RED LIGHT



RADOME TAN

31.

Leading edge of wings have a protective adhesive decal applied to the real aircraft. Model decal has been printed with an extra wide clear to allow the decal to wrap around the leading edge and stay down on the surface of the wing. Advanced modellers may want to reduce the size of this clearcoat.

10.

18.

20.

RED LIGHT

17.

2000

GREEN LIGHT

CAF

19.

8.

Documentation and research of this aircraft supplied by Carmen Bear of 410 squadron.

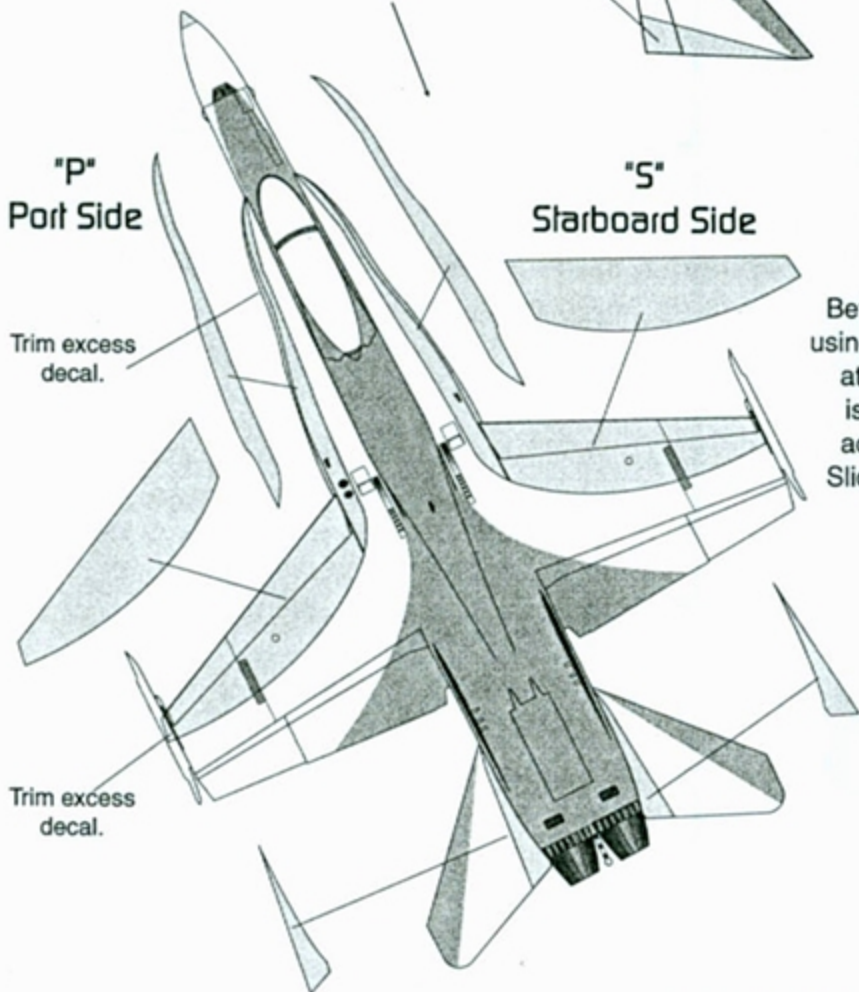
All graphics and decal printing by:
 LEADING EDGE MODELS
 E, 83 SKYLINE CRES., N.E.
 CALGARY, AB
 T2K 5X2
 CANADA

E - Extra Decals

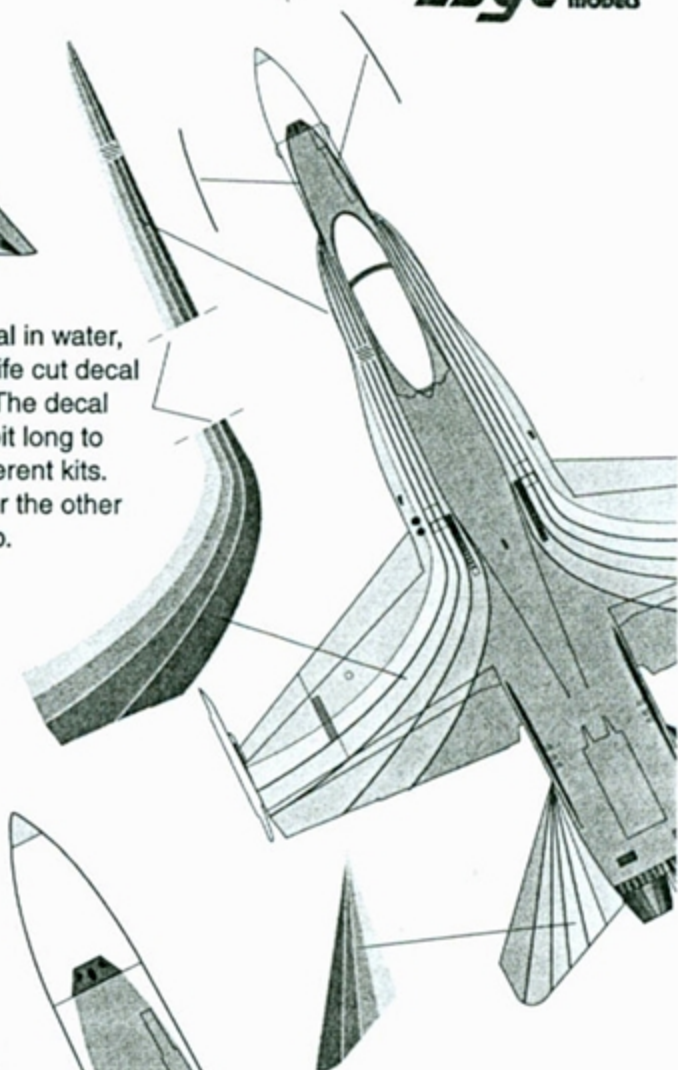
Large Decal Placement Instructions

**Leading
Edge** MODELS

1/72 only optional light yellow decals.



Before soaking decal in water, using a new razor knife cut decal at the black lines. The decal is made a slight bit long to accommodate different kits. Slide one decal over the other and line up.



OPTIONAL DECALS

The blue stripes should not go to the edge of the leading edge extension. Due to the different shapes of kits available this may happen. Either trim a small amount of the lightest blue away from the edge or use these decals and trim after dried.

IMPORTANT
Decal should fold so light yellow stripe runs along the side of the fuselage.



Note: Painted surface must have a glossy finish for decals to properly set on the model. A decal softener setting liquid is required especially for the larger decals that must conform to curved surfaces. Use spare decals and Leading Edge logo decals to test the softener to be used. Some brands such as Gunze "Mr. Mark Softer" needs to be reduced 50/50 with water while Testor's brand does very little with these decals and should not be used.

Trim away decal after it has dried
Either paint or use extra decal to fill air bleed vents.

