

Third Group Decals™

PO Box 98865 Tacoma, WA 98498-0865 USA

Tel: (206) 475-9505 ~ Fax: (206) 475-1597

Internet: TGDecals@aol.com

A THREE GEESE Publishing Company

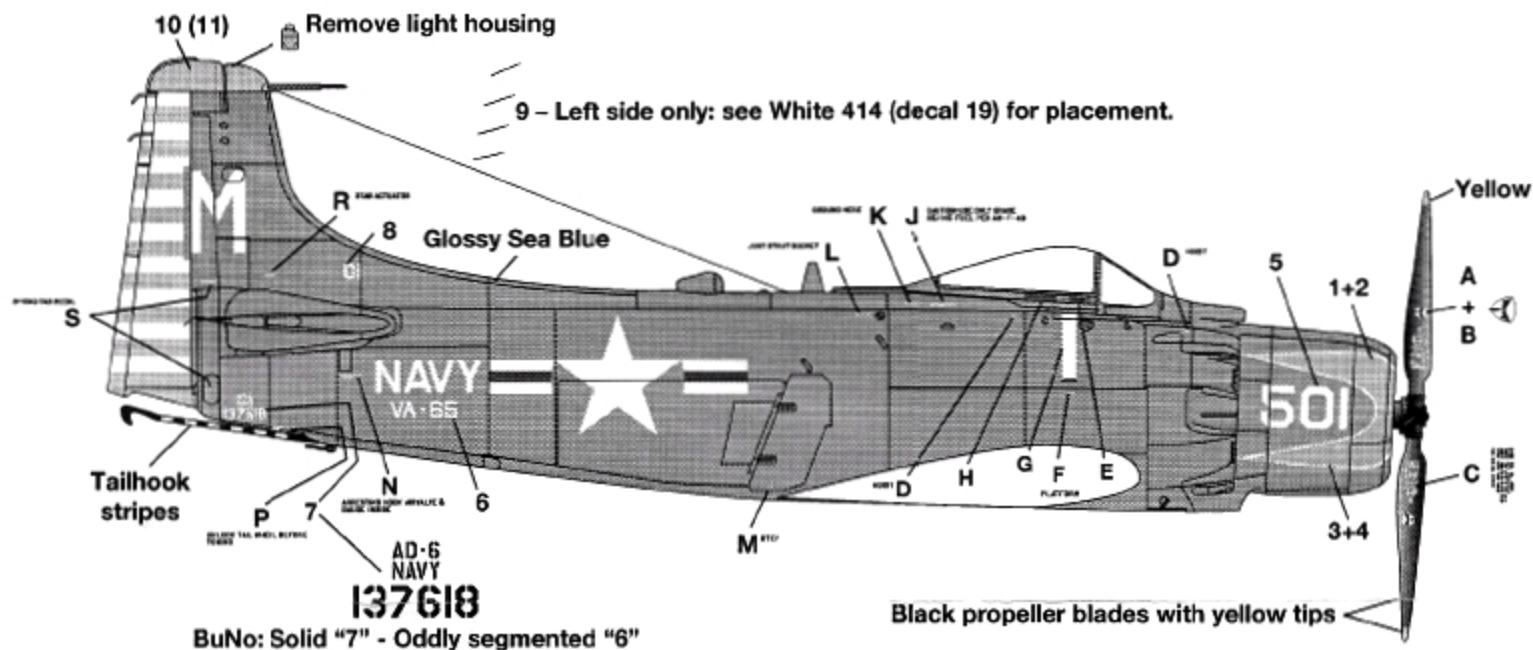


1:48 scale

48-016

United States Navy Douglas AD-6 Skyraider

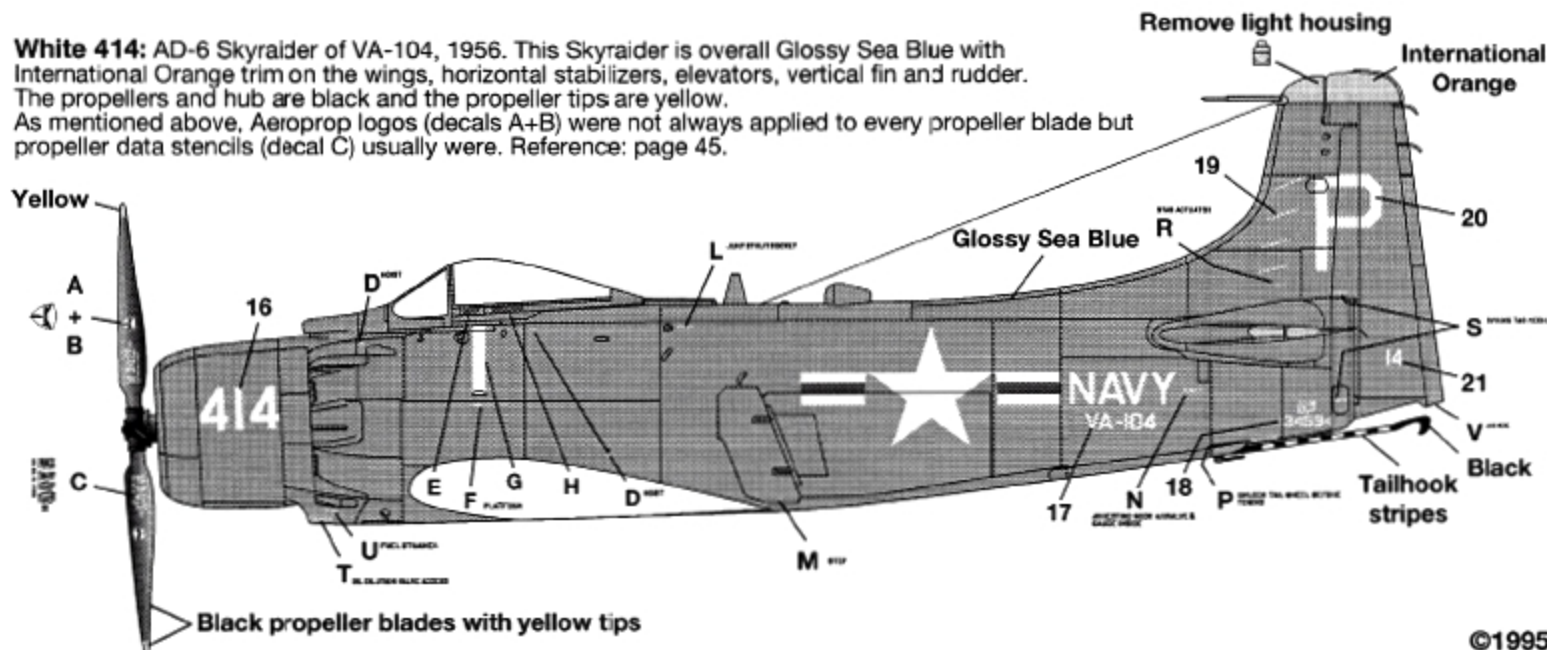
White 501: AD-6 Skyraider of VA-65, September 1955. Overall Glossy Sea Blue with green/white scallops on the engine cowl, green vertical tail fin tip, and green/white stripes on the rudder. Note that the large "M" on the vertical fin and wings do not have uniform stroke widths nor are the green and white rudder stripes of equal height. The propellers and hub are black and the propeller tips are yellow. Aeroprop logos (decal A-B) were not always applied to every propeller blade, and it is not known how many — if any at all — are on this particular Skyraider. Propeller data stencils (decal C) were usually applied to each propeller blade. Reference: page 45.



Data stencils (lettered decals) are generally applicable to both Skyraiders.
Please check your references.

Aeroprop logos point to the left (counterclockwise)
when viewed from the front.

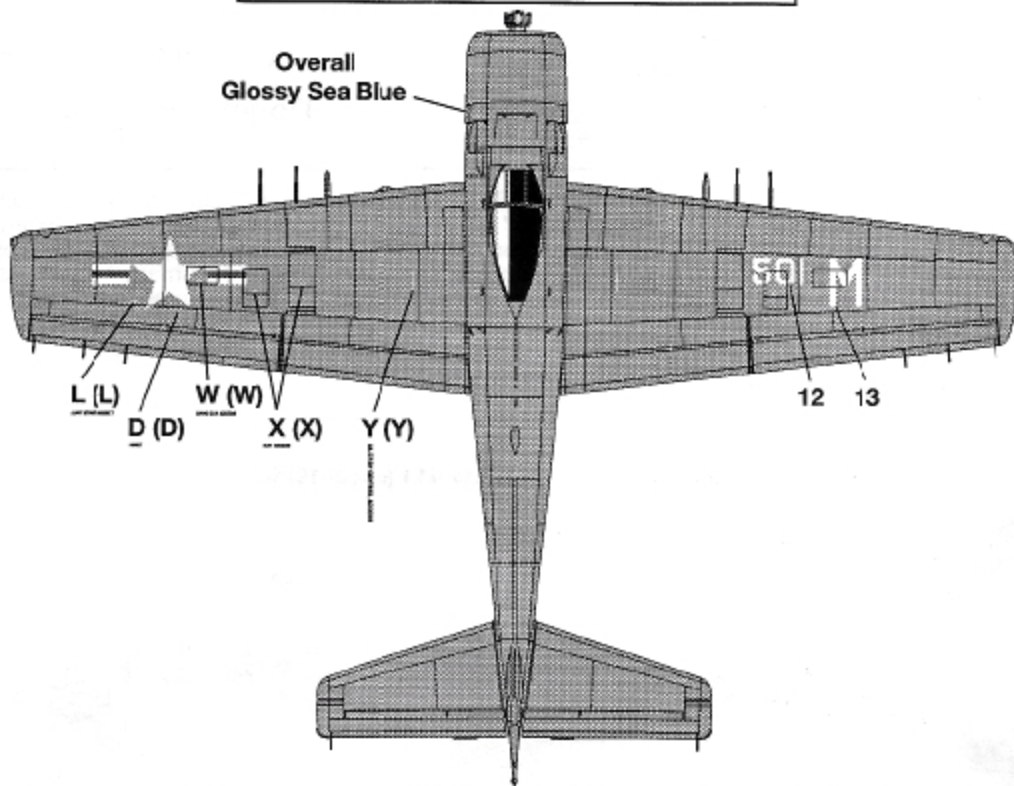
White 414: AD-6 Skyraider of VA-104, 1956. This Skyraider is overall Glossy Sea Blue with International Orange trim on the wings, horizontal stabilizers, elevators, vertical fin and rudder. The propellers and hub are black and the propeller tips are yellow. As mentioned above, Aeroprop logos (decals A+B) were not always applied to every propeller blade but propeller data stencils (decal C) usually were. Reference: page 45.



Stenciling applicable to both Skyraiders.

White 501

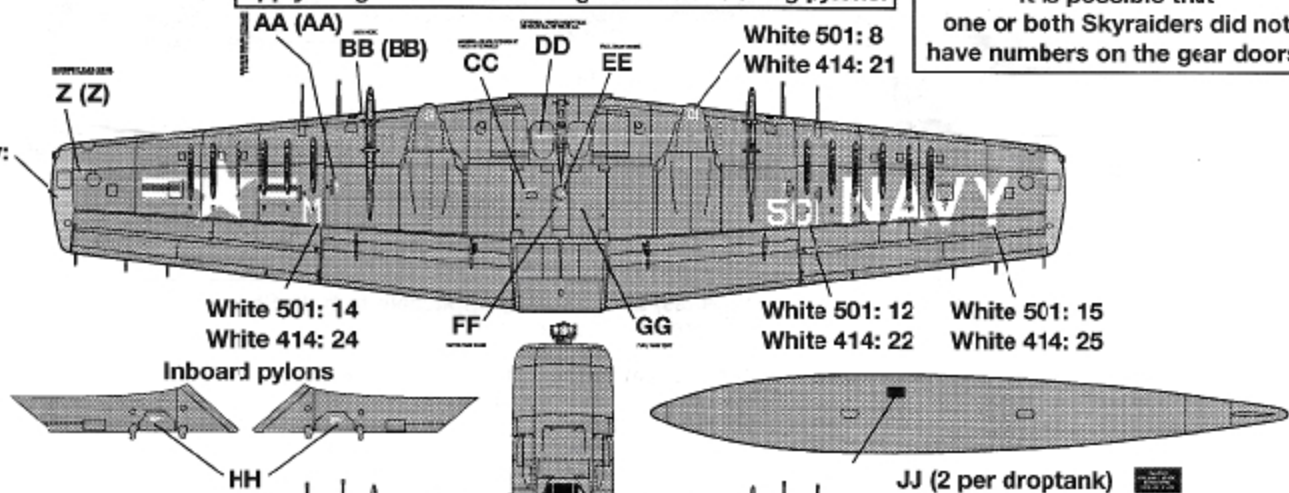
Overall Glossy Sea Blue



Apply wing underside markings before attaching pylons.

It is possible that one or both Skyraiders did not have numbers on the gear doors.

White 414 only: International Orange wingtips



White 414

International Orange wing and tail tips

SUGGESTED KIT

MONOGRAM A-1H Skyraider

REFERENCE

USN Aircraft Carrier Air Units, Vol. 1, 1946-1956: Duane Kasulka, 1985