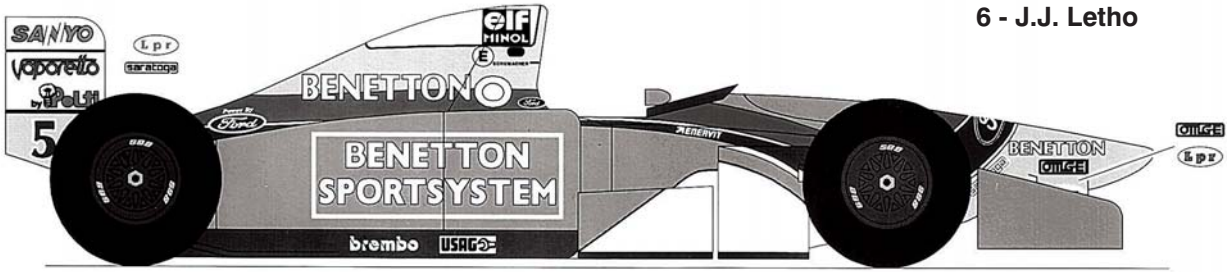


TAMBO KITS

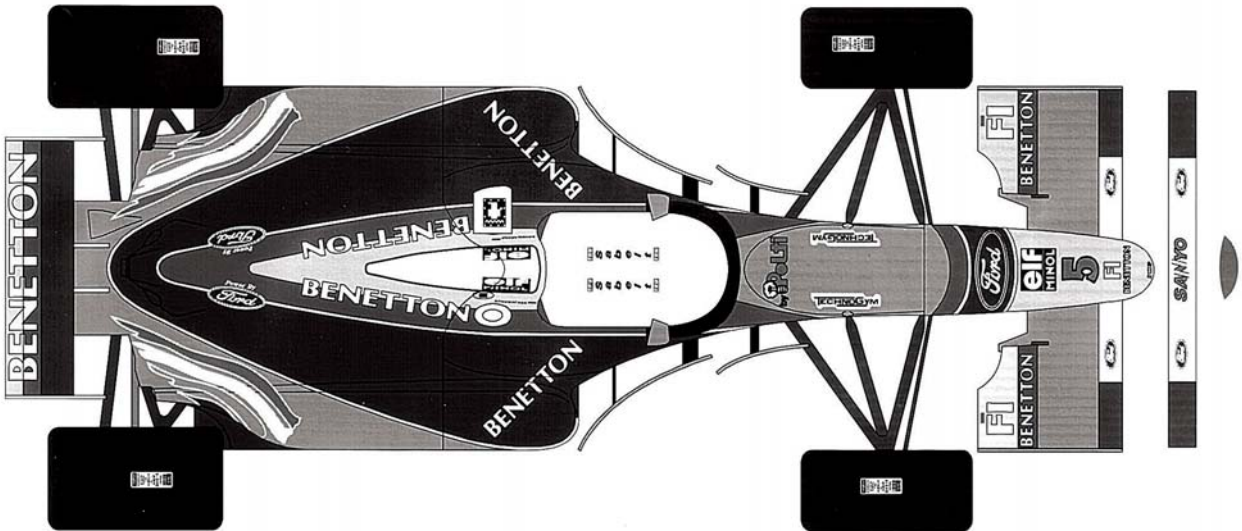


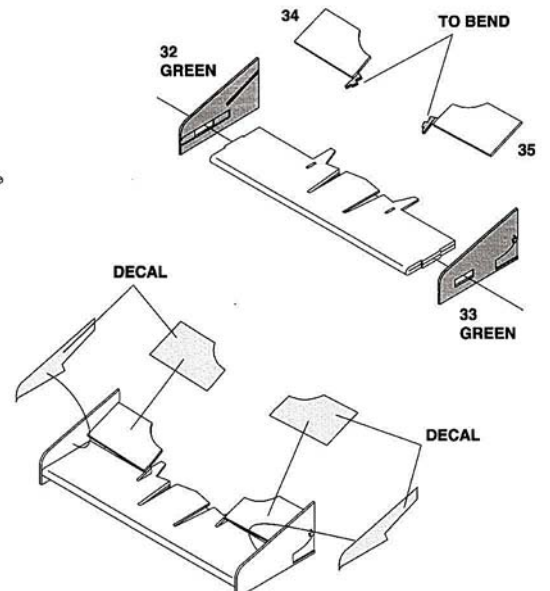
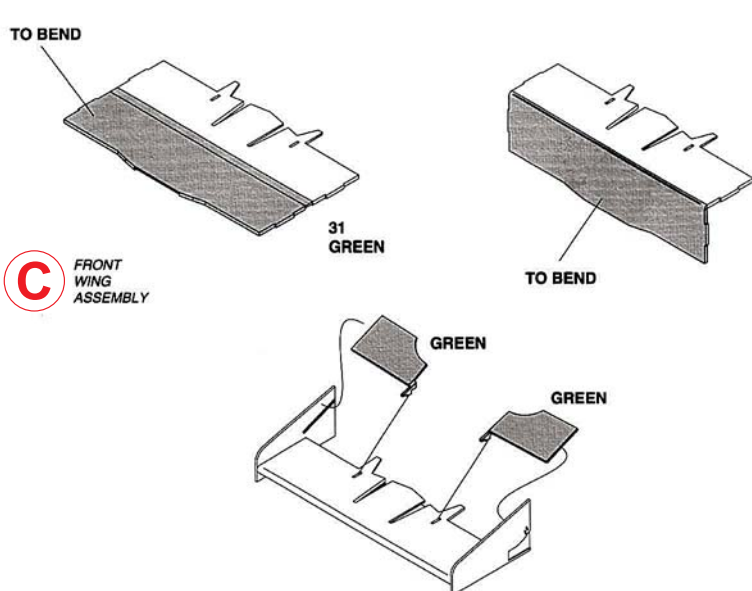
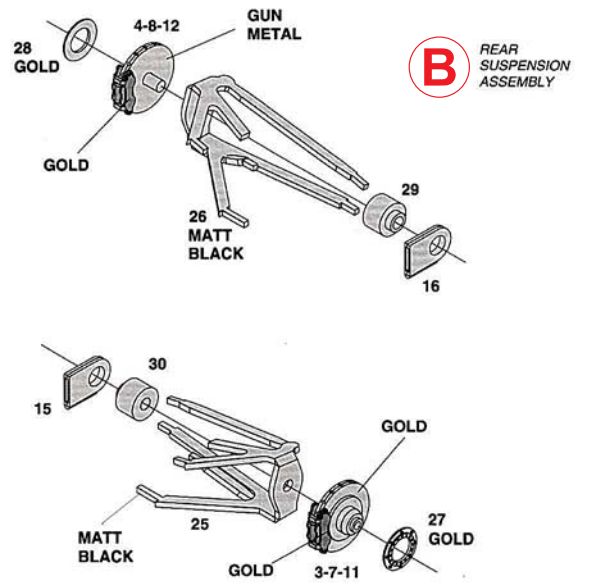
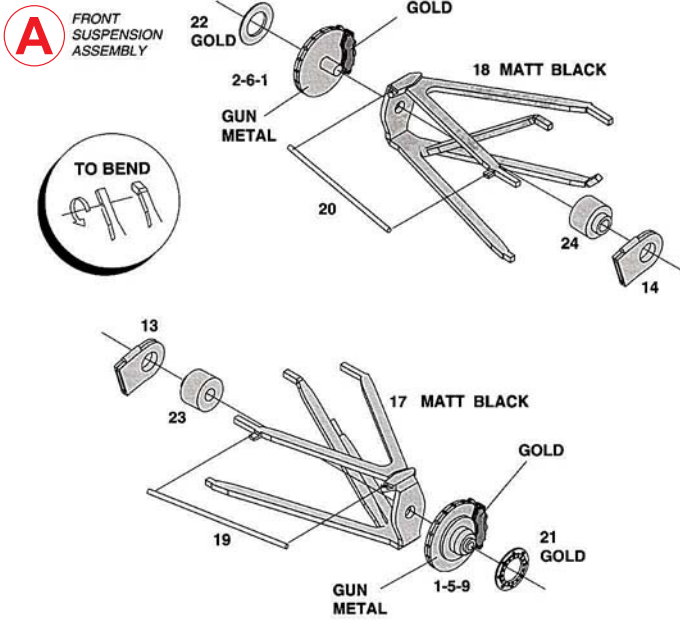
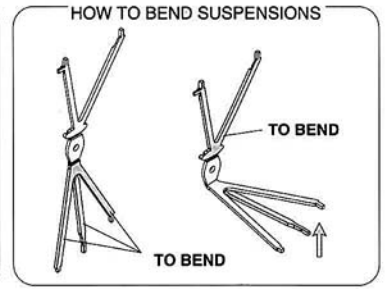
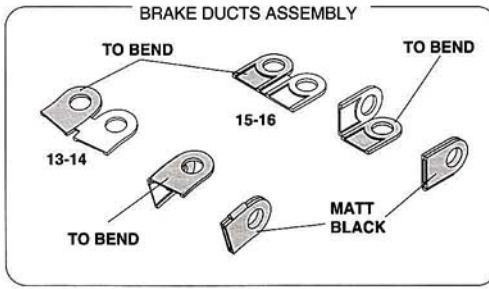
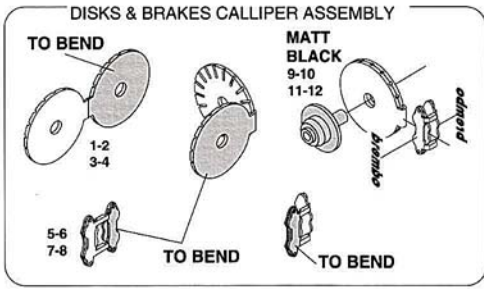
**TMK179 BENETTON FORD B194
SPANISH G.P. 1994**

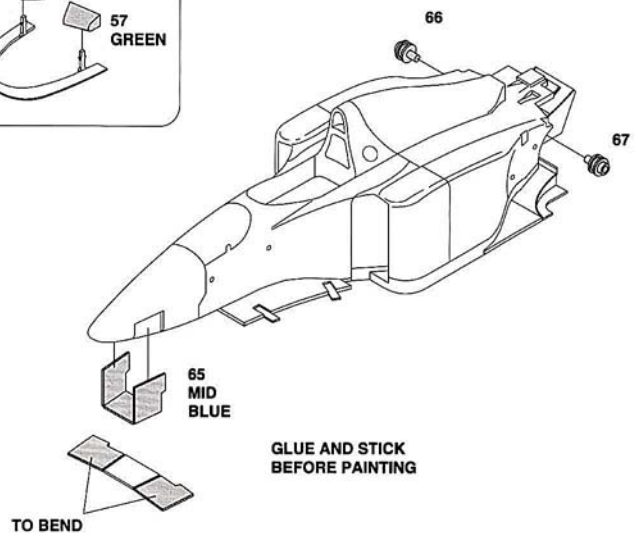
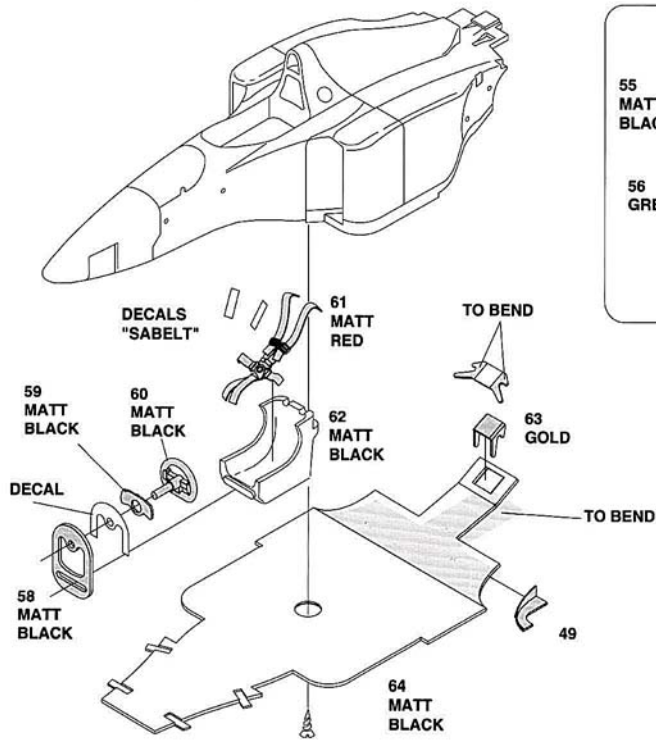
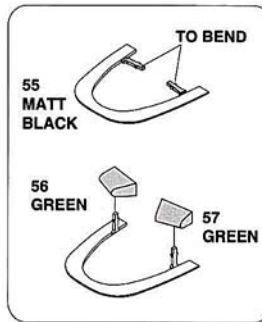
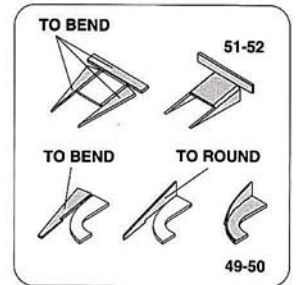
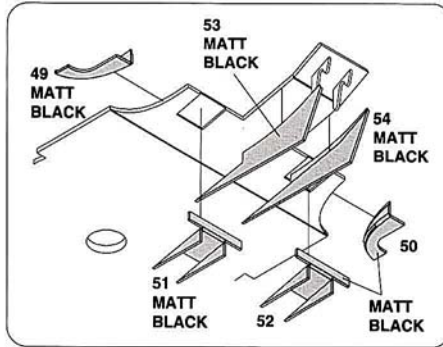
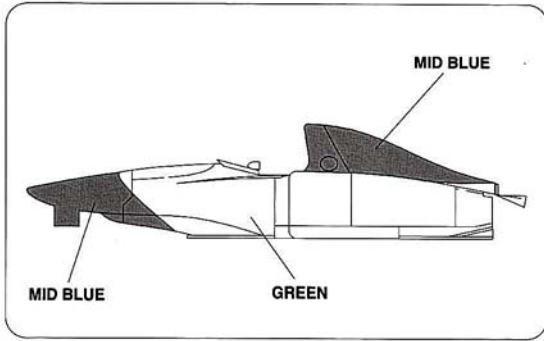
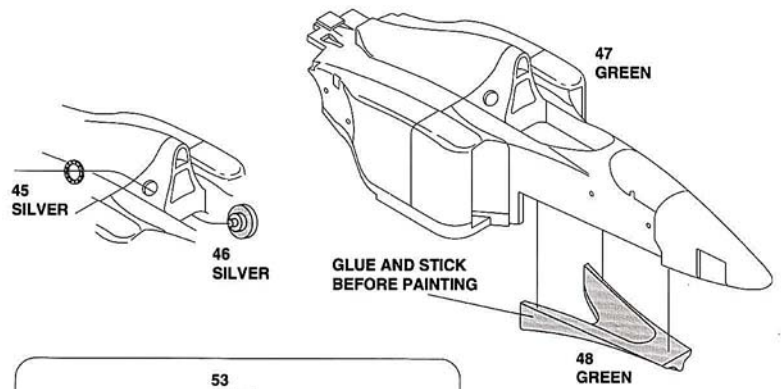
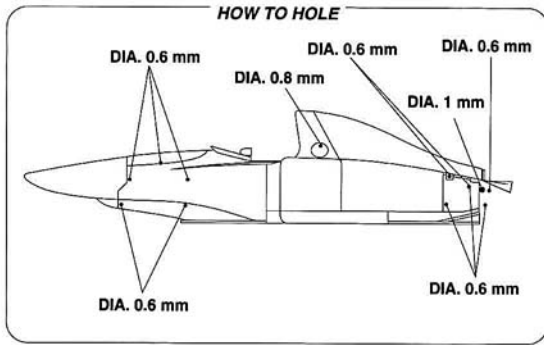


5 - M. Schumacher
6 - J.J. Letho

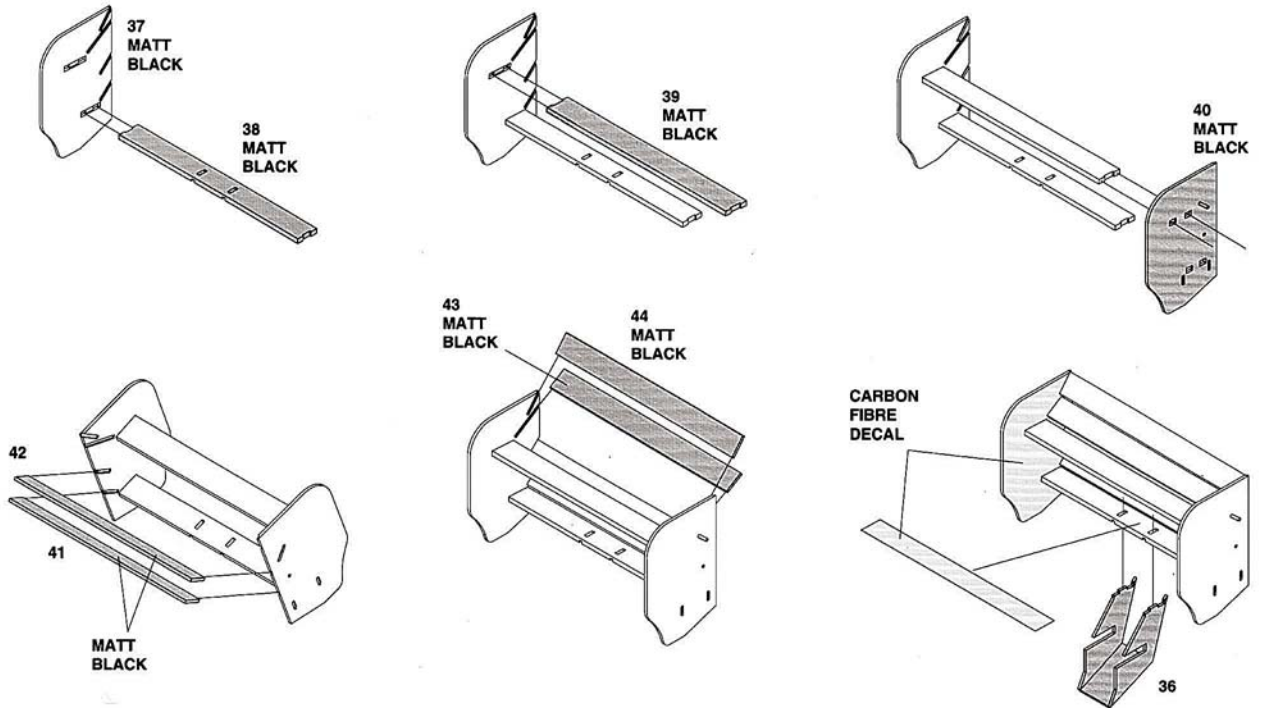
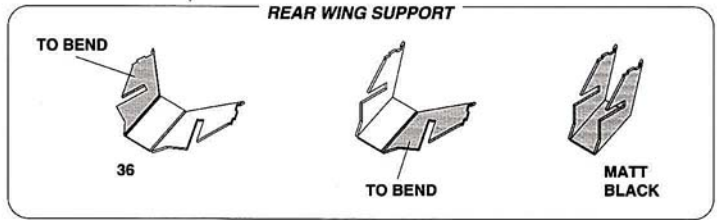
2nd
Ret.



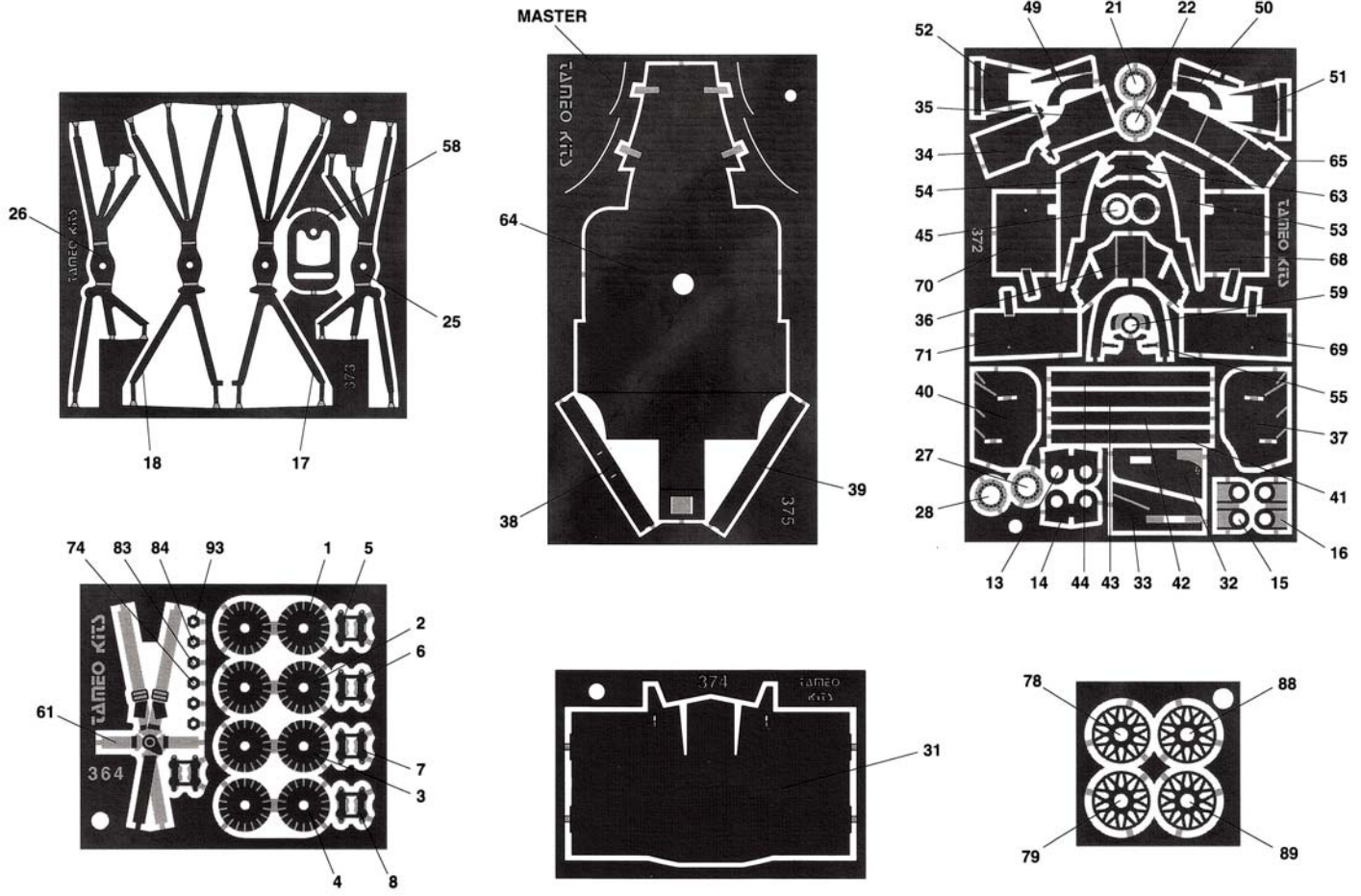


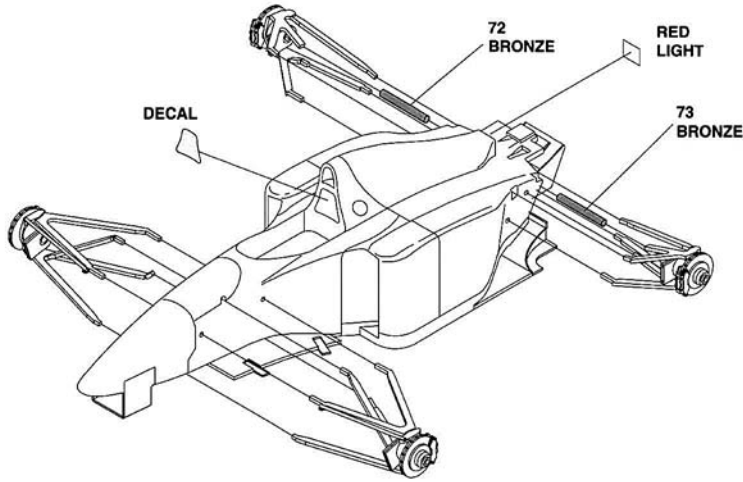
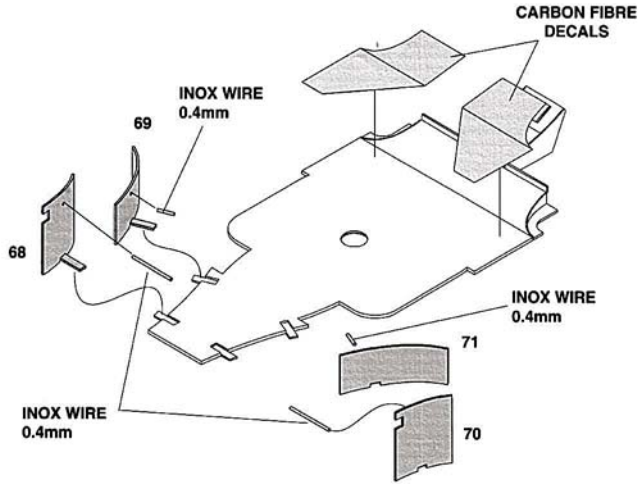
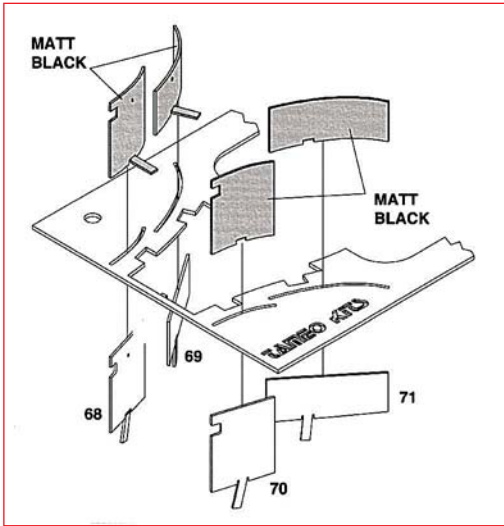


D REAR WING ASSEMBLY



Fotoincisioni/Photoetched





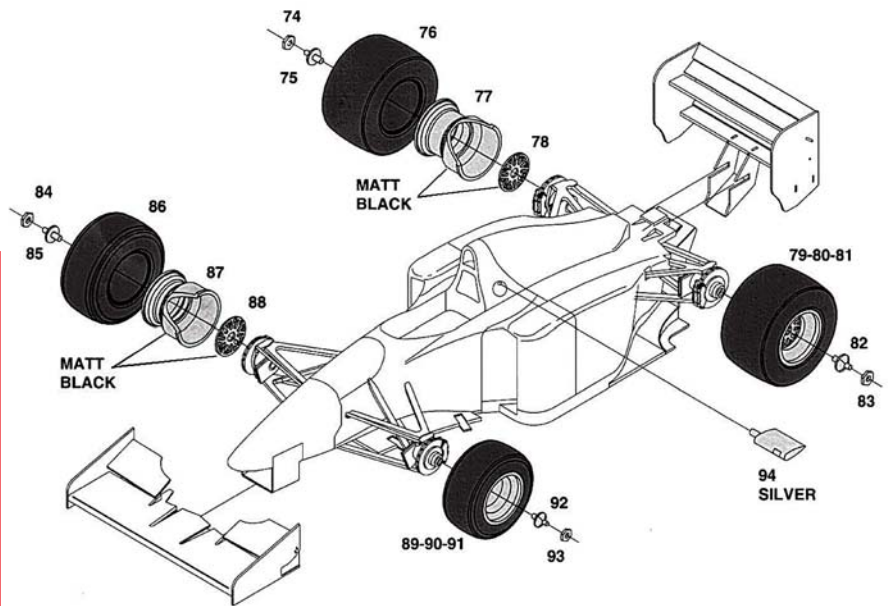
COLOUR CONVERSION



AUSTIN ROVER JAVA GREEN
 LADA 564 GREEN CYPRESS
 VOLKSWAGEN LD 6B JAVA GRUEN
 RAL 6029

COLOUR CONVERSION

MATT RED TAMIYA XF7	GOLD TAMIYA X12	BRONZE TAMIYA XF6	
GUN METAL TAMIYA X10	MATT BLACK TAMIYA XF1	SILVER TAMIYA X11	MID BLUE TAMIYA XF23



TAMEO KITS srl

Via Valle, 25/6
 17022 BORGIO VEREZZI SV ITALY
 Tel. 39 019 - 615.250 Fax. 39 019 - 615.310

we • si e www.ameo i s.com
 e-mail sales@tameokits.com
 e-mail technical@tameokits.com

Made in Italy. Collector 1/43 Scale Models. Vietata la vendita ai minori di 14 anni. Nocivo per ingestione. Conservare fuori dalla portata dei bambini. Tameo Kits declina ogni responsabilità per un uso improprio del prodotto.

Made in Italy. Collector 1/43 Scale Models. Not for sale to persons under 14 years of age. Dangerous if swallowed. Keep out of reach of children. Tameo Kits not held responsible for any damage or injury resulting from improper use of the product.

Made in Italy. Collector 1/43 Scale Models. Vente interdite aux enfants de moins de 14 ans. Dangereux si avalé. Conserver hors de la portée des enfants. Tameo Kits décline toute responsabilité dans le cas de dommages dérivants de l'usage non approprié du produit.

Made in Italy. Collector 1/43 Scale Models. Verkauf an jugendliche unter 14 Jahren verboten. Schädlich bei Einnahme. Von Kindern ferhalten. Tameo Kits Lehnt jene Verantwortung bei unkorrektem Gebrauch seines Produktes ab.