

Harrier T2/T2A/T2N/T4/T4N/T8 Two Seater Trainer



Harrier T2/T2A/T2N/T4/T4N/T8 Two Seater Trainer

The two seater Harrier is a vertical/short takeoff and landing (V/STOL) jet trainer. Hawker Siddeley began work on a trainer around the same time it was developing the Harrier GR.1. This trainer version is the Harrier T.2 and its first flight was in 1969.

Harrier T.2
Lengthened two-seat training version for the RAF, powered by Pegasus Mk 101 engine and with taller fin.

Harrier T.2A
Upgraded T.2, powered by a Pegasus Mk 102.

Harrier T.4
Two-seat training version for the Royal Air Force, equivalent to the GR.3, with Pegasus Mk 103 engine, laser seeker and radar warning receiver. Reverted to short fin of single seater.

Harrier T.4A
T.4 without laser seeker or radar warning receiver.

Harrier T.4N
Two-seat training version of the T.4A for the Royal Navy, with avionics (excluding radar) based on Sea Harrier FRS.1.

Harrier T.8
Naval trainer modified from early trainer variants and fitted with Sea Harrier F(A).2 avionics.



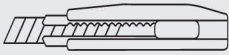

CAUTION

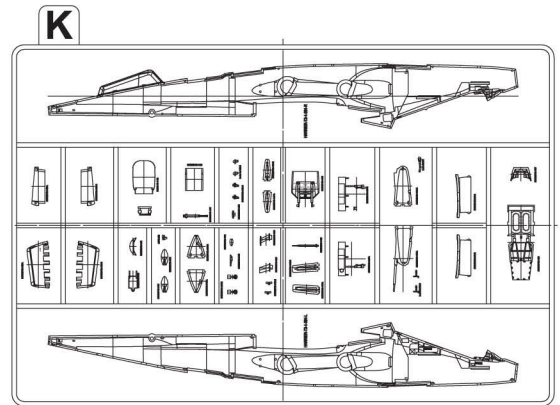
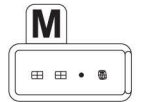
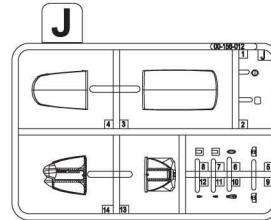
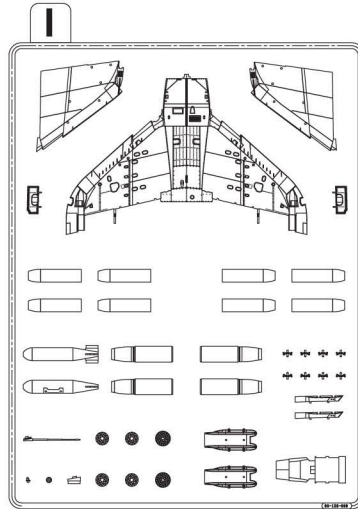
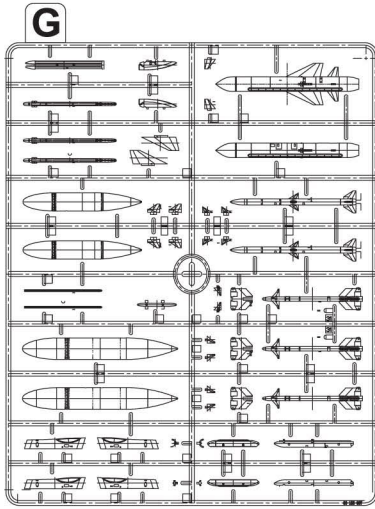
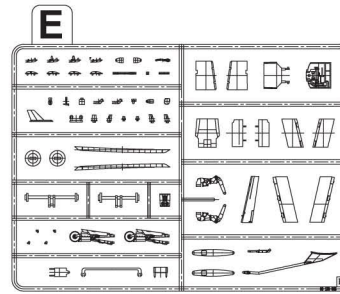
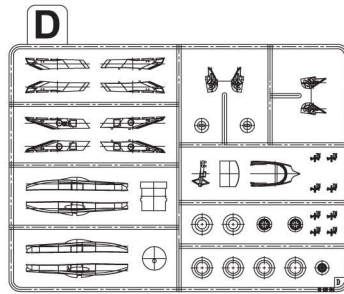
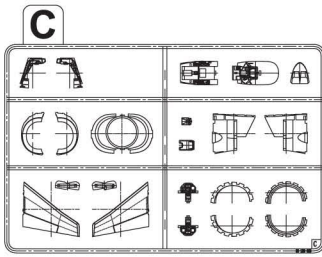
- *Read carefully and fully understand the instructions before commencing assembly.
- *Keep out of reach of children. Children must not be allowed to put any parts in their mouths, or pull plastic bag over their heads.
- *When using adhesives and paints, please make sure not to use them in closed room or near the fire.
- *When assembling this kit, tools including knives are used. Extra care should be taken to avoid injury.

WARNING: CONTAIN SMALL PARTS NOT FOR CHILDREN UNDER 14 YEARS OF AGE.



TOOLS RECOMMENDED

Cement 	Side Cutter 	Modeling Knife 	Tweezers 
--	---	--	--



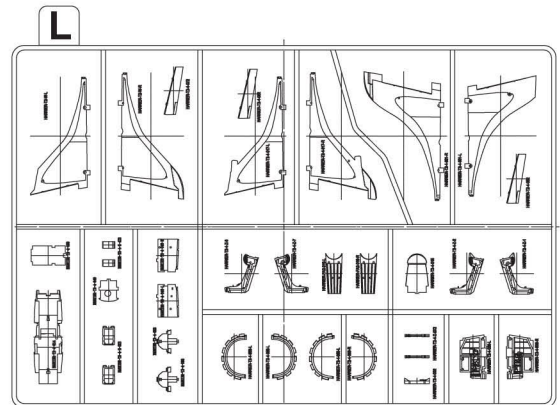
AFTERMARKET SERVICES CARD

When requesting replacement parts, please take or send this form to your local dealer so that the parts required can be correctly identified. Please note that specifications and availability are subject to change without notice.

or visit <http://www.kineticmodel.com> for latest information.

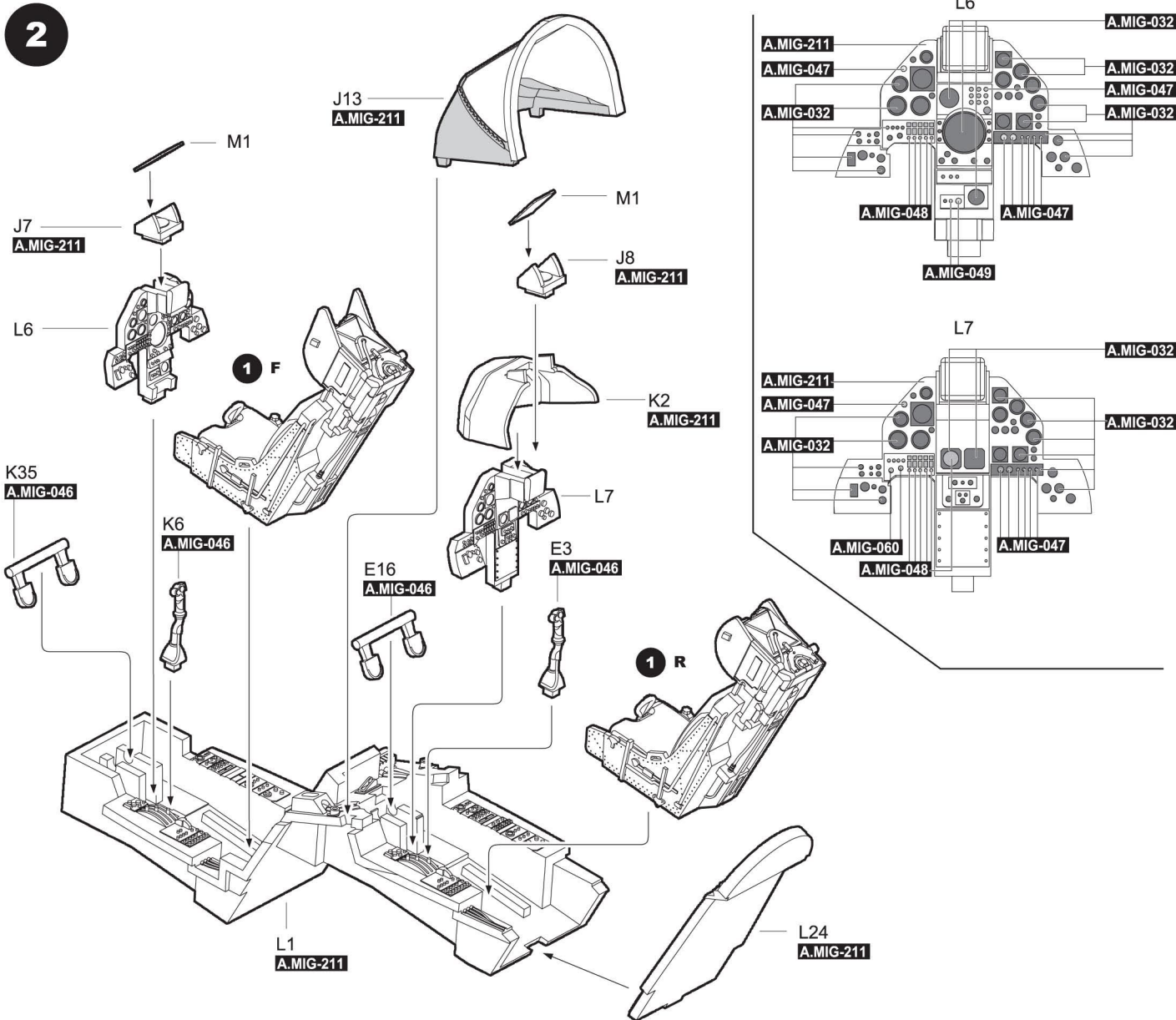
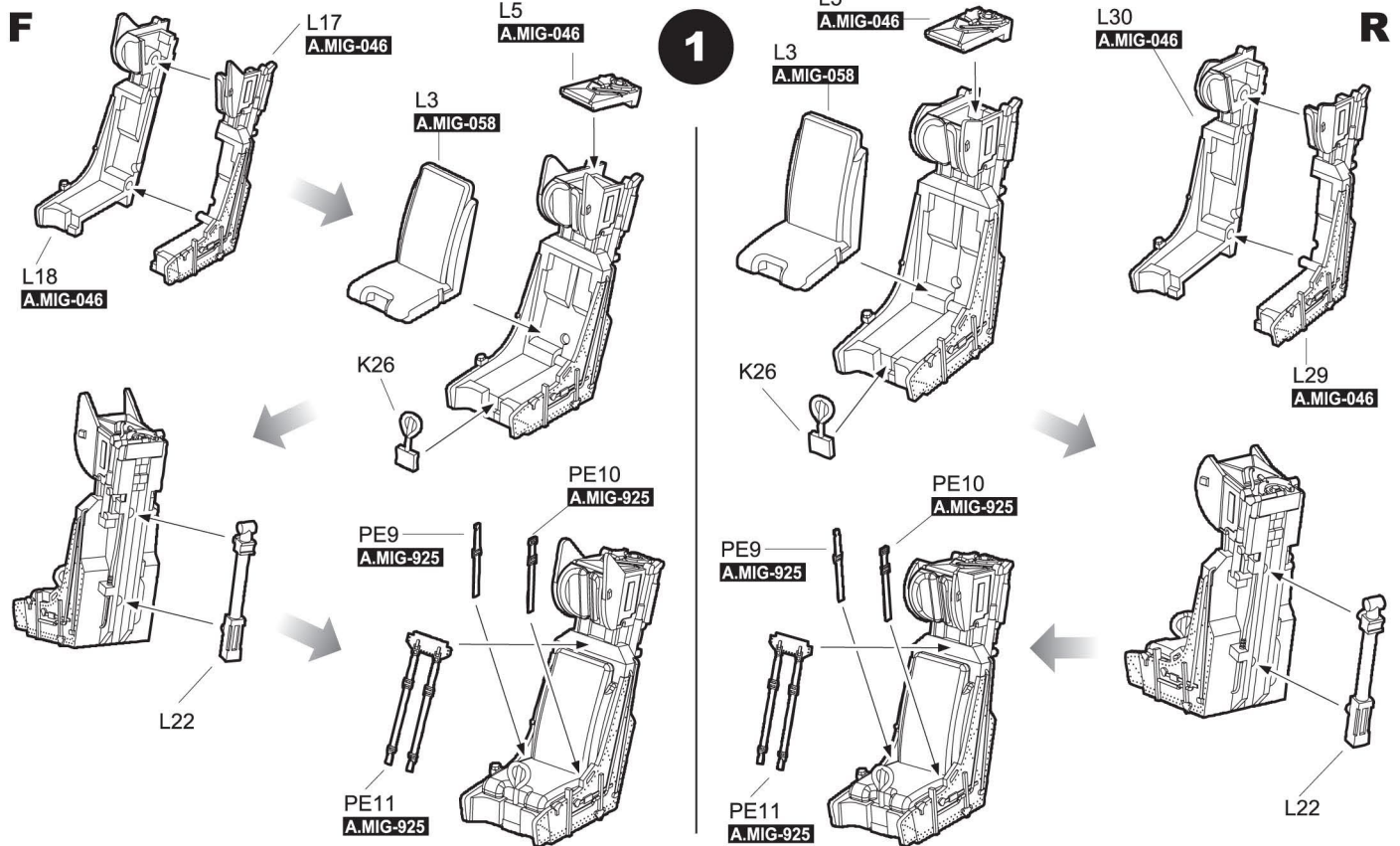
For more information, please contact services@kineticmodel.com

Part Code	K48040	Item
00-156-003	1/48 HARRIER FA2 INTAKE (C)	1 C
00-156-004	1/48 HARRIER FA2 PARTS (D)	1 D
00-156-005	1/48 HARRIER FA2 LANDING GEAR (E)	1 E
00-156-007	1/48 HARRIER MISSILE SPRUE/TANK (G)	2 G
00-156-009	1/48 HARRIER FRS1/T2/T4/GR1/GR3 WING (I)	1 I
00-156-010	1/48 T-HARRIER FUESLAGE (K)	1 K
00-156-011	1/48 T-HARRIER TAIL AND COCKPT (L)	1 L
00-156-012	1/48 T-HARRIER CANOPY (J)	1 J
00-156-013	1/48 T-HARRIER CLEAR PARTS (M)	1 M
06-156-48040	1/48 HARRIER ALL SERIES PE	1

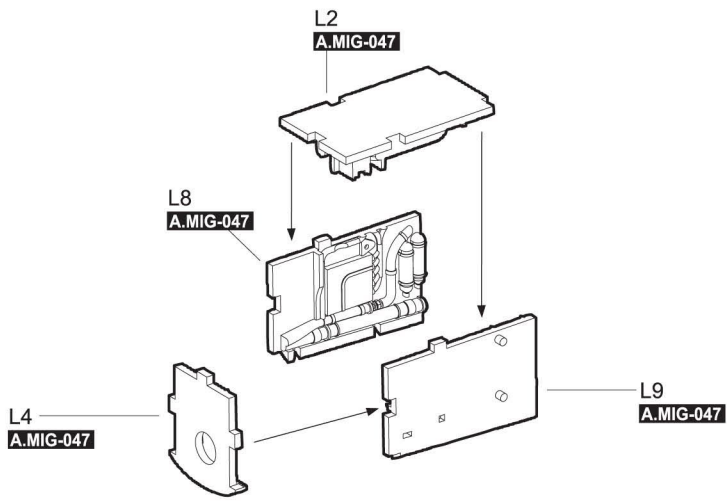


PAIN INDEX

COLOR	AMMO MIG	VALLEJO MODEL COLOR	GSI CREOS MR. COLOR	TAMIYA ENAMEL/ACRYLIC	HUMBROL ENAMEL
SANTIN BLACK	A.MIG-032	861	2	-	21
ORANGE	A.MIG-039	851	-	-	-
GUN METAL	A.MIG-045	863	76	XF56	53
MATT BLACK	A.MIG-046	950	12	XF1	33
SATIN WHITE	A.MIG-047	842	1	-	22
YELLOW	A.MIG-048	953	413	XF3	15
RED	A.MIG-049	947	158	X7	19
MATT WHITE	A.MIG-050	951	11	XF2	34
PALE GREEN	A.MIG-060	957	-	-	153
CRYSTAL RED	A.MIG-093	934	-	-	1321
CRYSTAL PERISCOPE GREEN	A.MIG-096	936	-	-	1325
SILVER	A.MIG-195	997	8	XF16	11
GREY	A.MIG-207	870	-	-	129
MEDIUM GRAY	A.MIG-211	989	-	XF19	127
OLIVE DRAB	A.MIG-925	889	78	XF62	66
LIGHT GREEN KHAKI	A.MIG-058	880	-	-	26
FS 34079 (BS641)	A.MIG-206	-	-	-	-
FS 26231 (BS638)	A.MIG-205	-	-	-	-
LIGHT BROWN GREY	A.MIG-120	-	-	-	-
LIGHT GREY	A.MIG-209	-	-	-	-

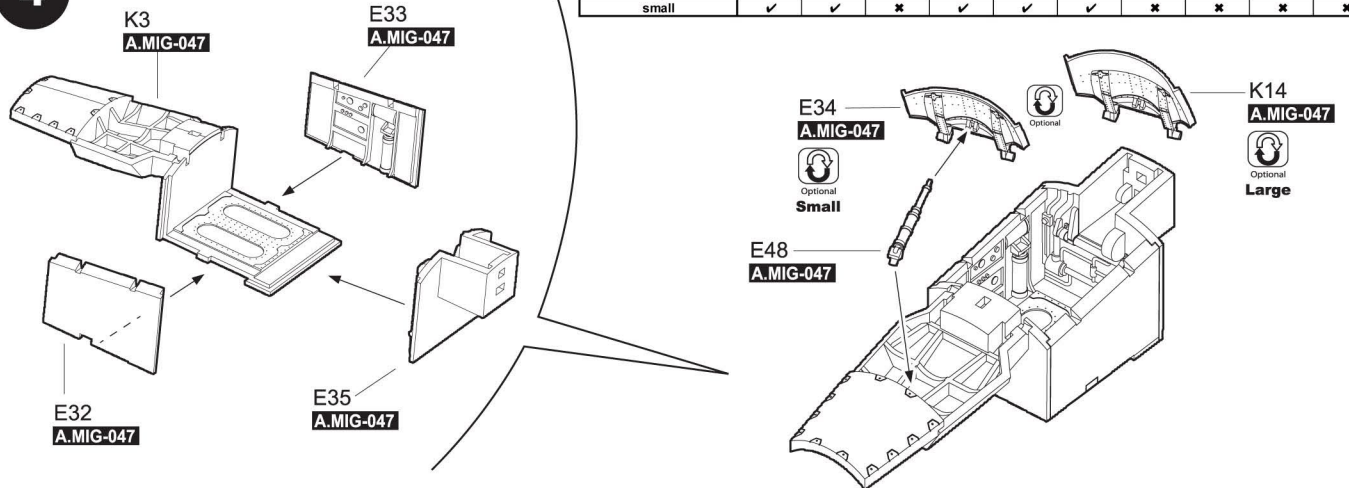


3

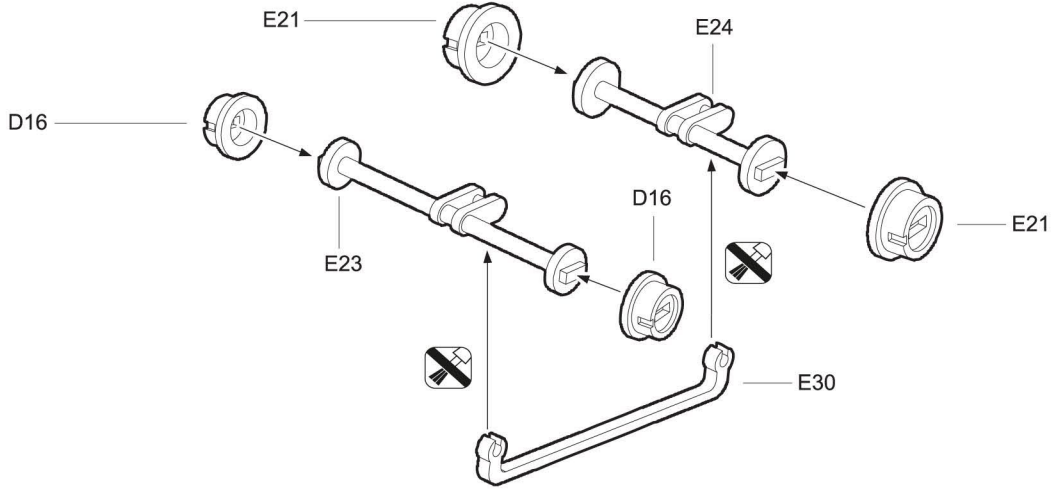


4

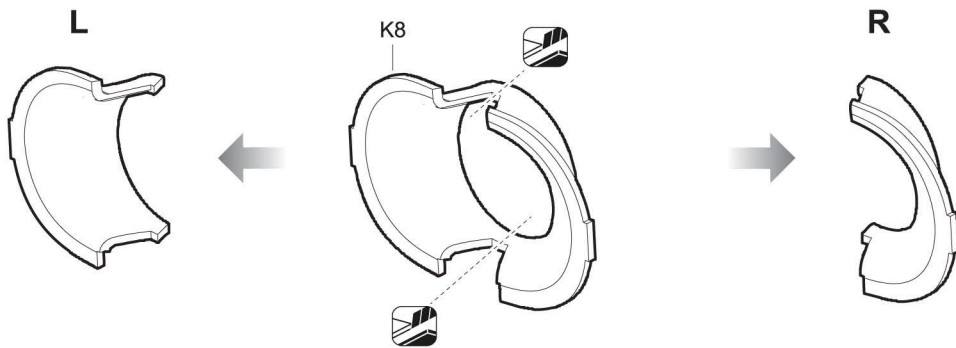
	Version									
	ZD990	ZB605	ZB604	ZB605	XW265	XW266	XW272	USMC	Spanish	Thai
airbrake										
large	*	*	✓	*	*	*	✓	✓	✓	✓
small	✓	✓	*	✓	✓	✓	*	*	*	*

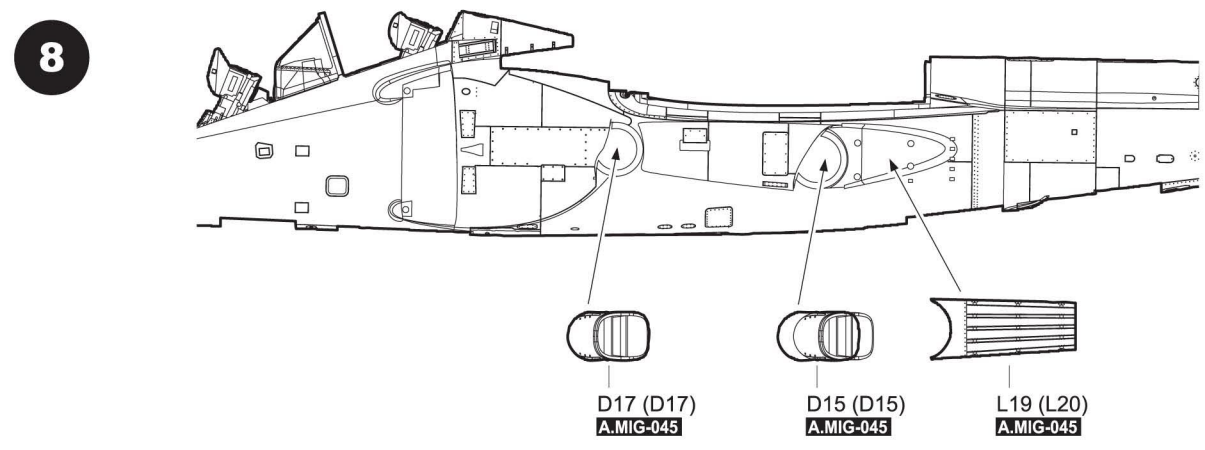
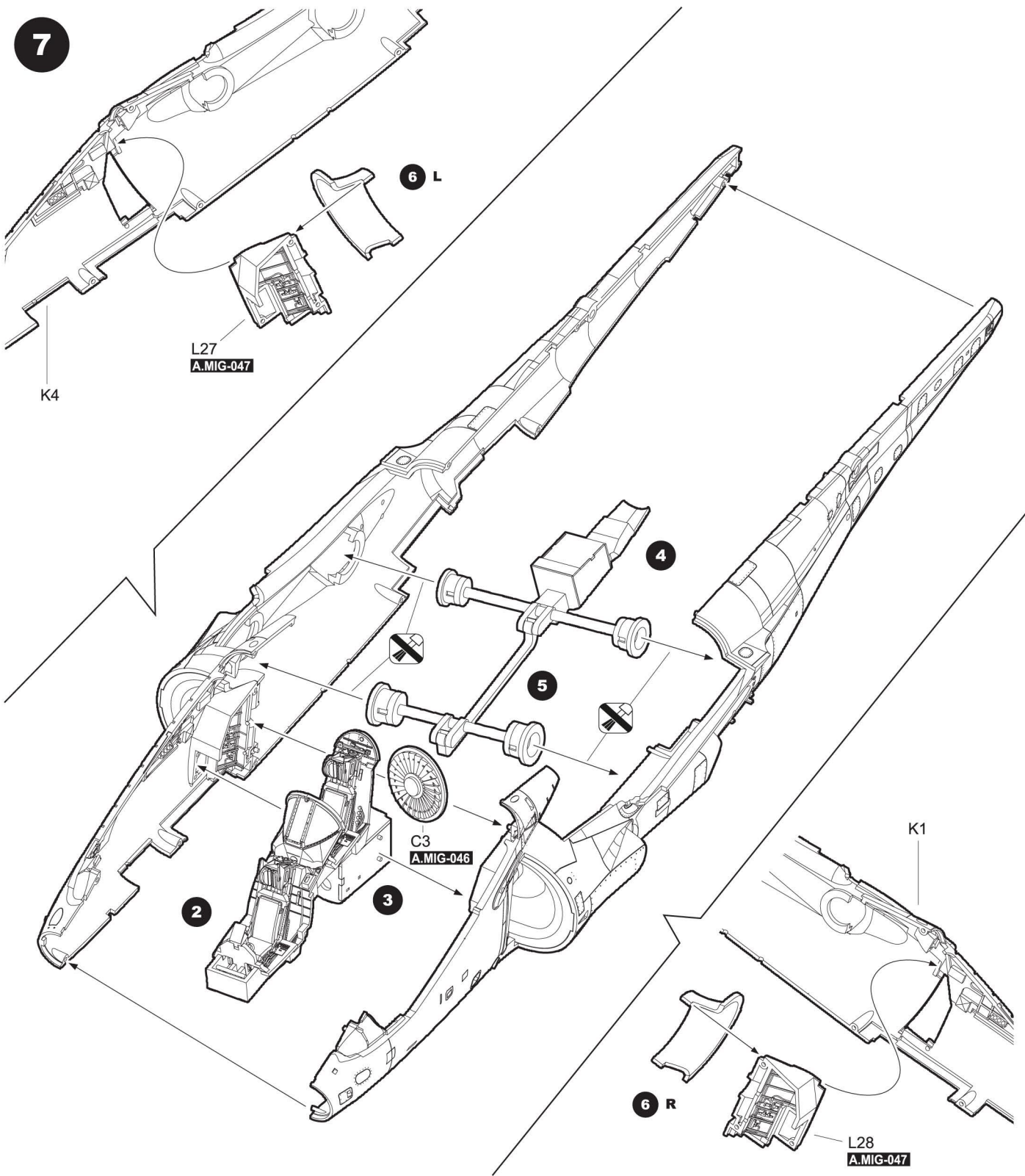


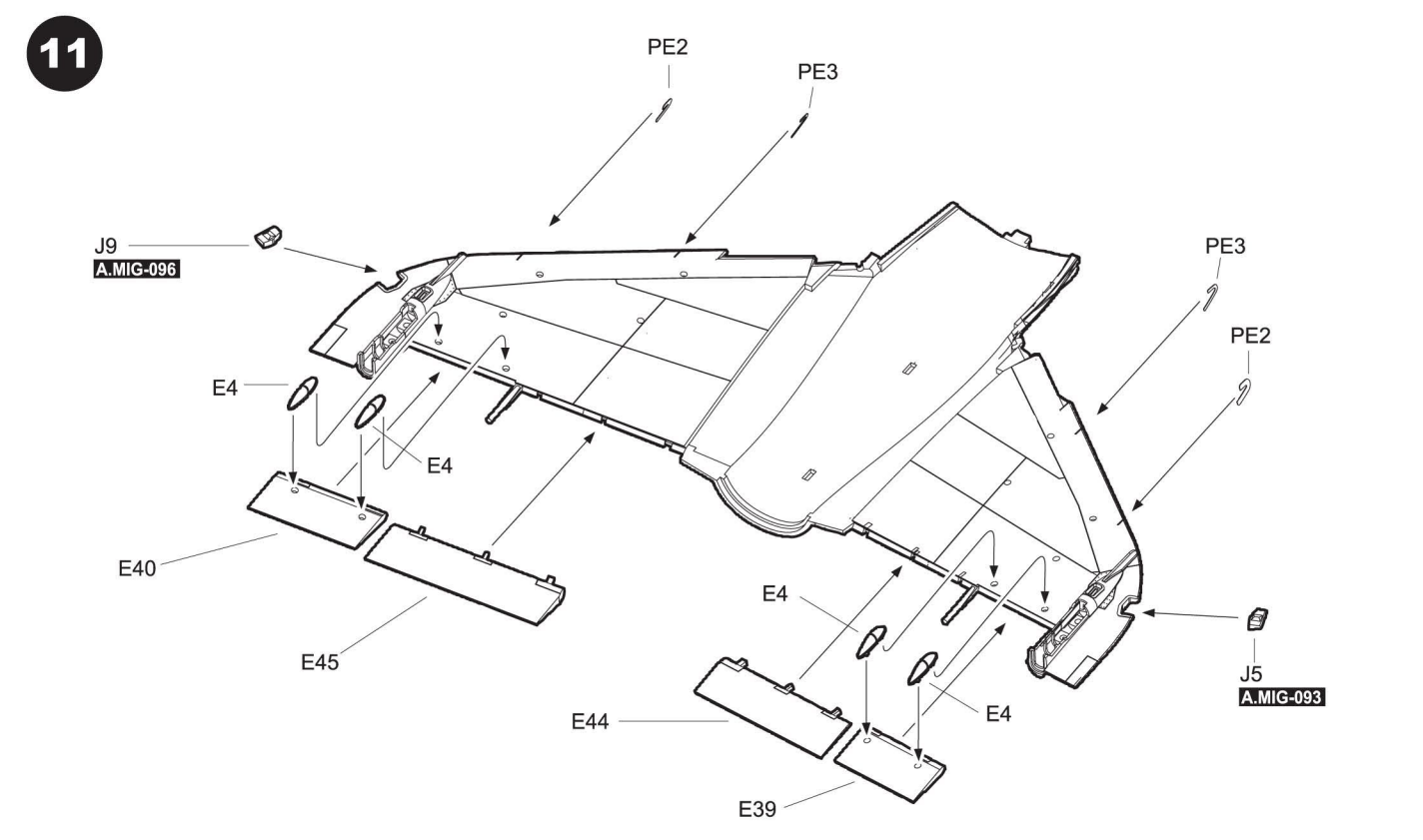
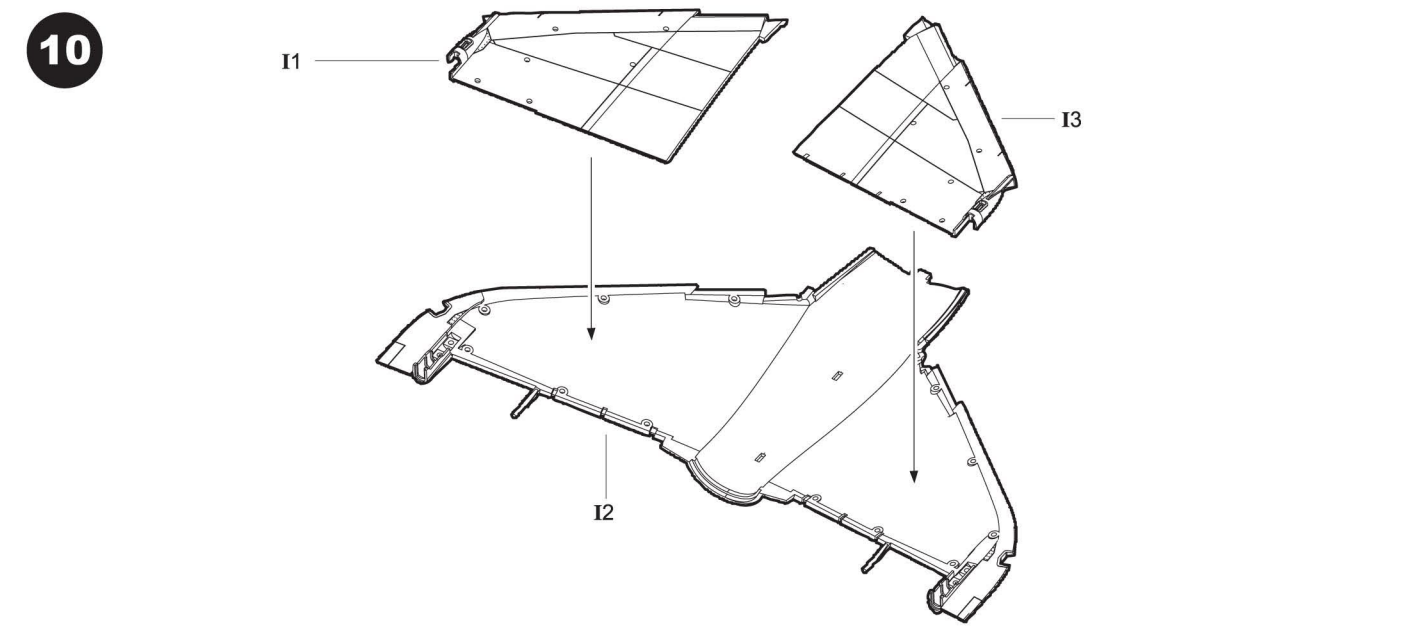
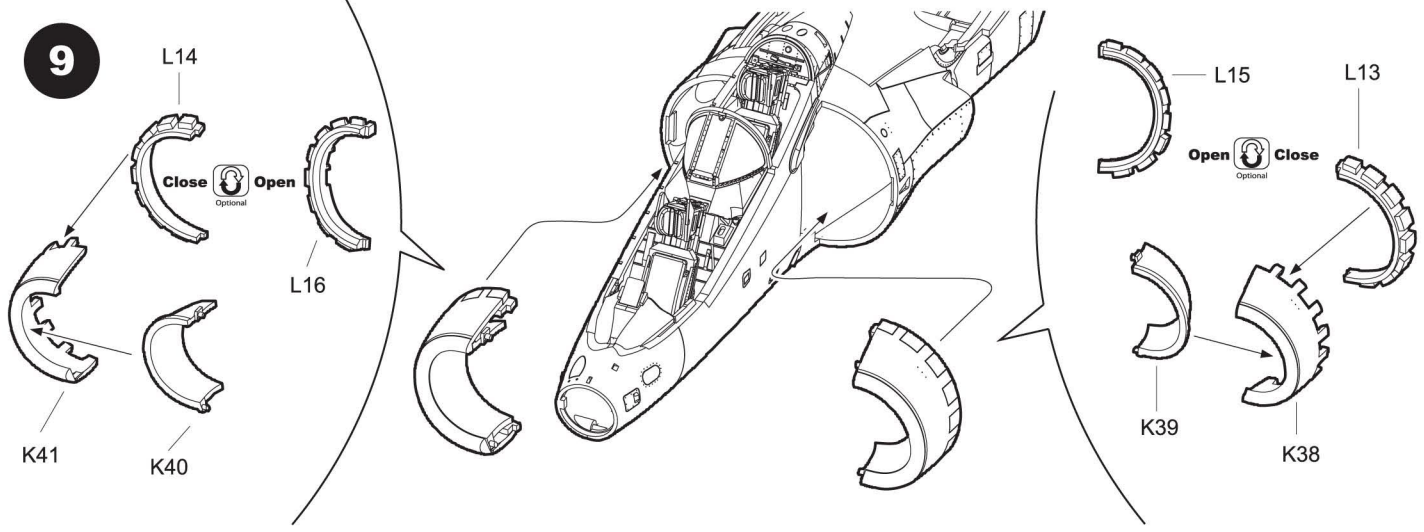
5



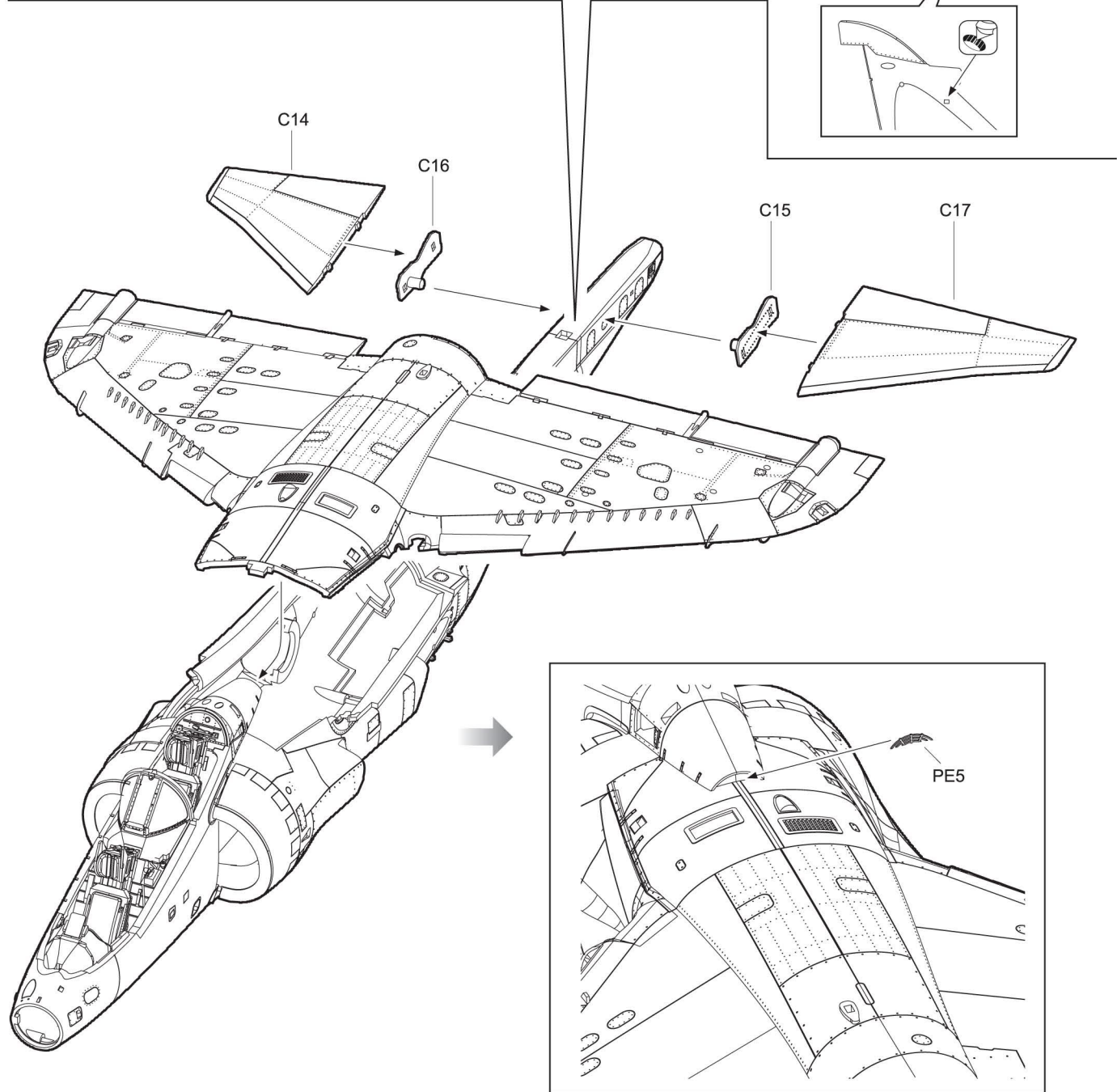
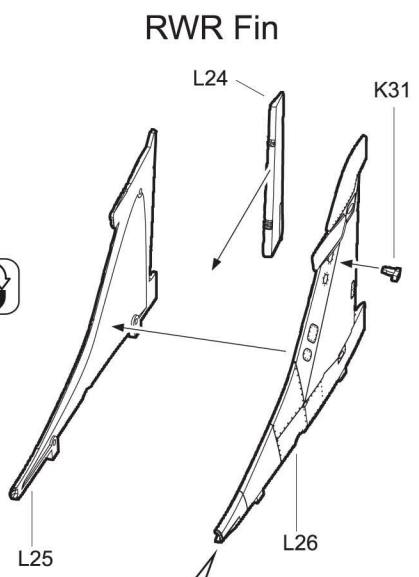
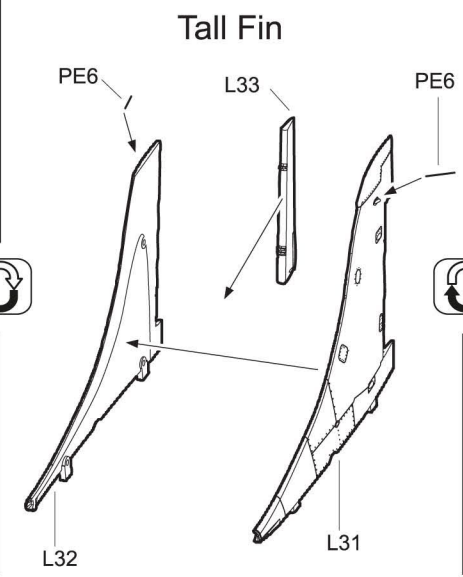
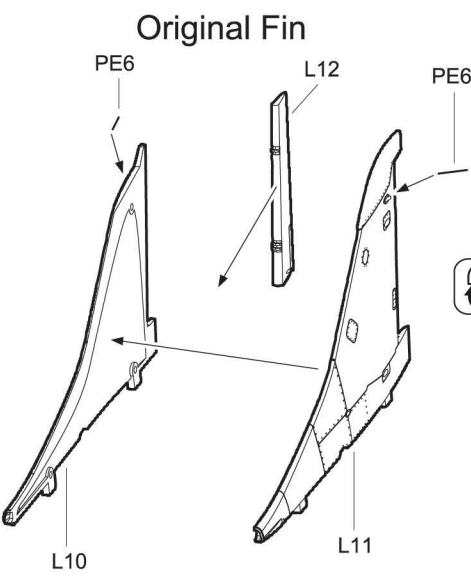
6



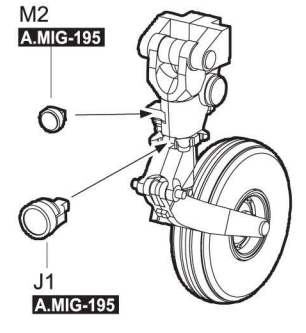
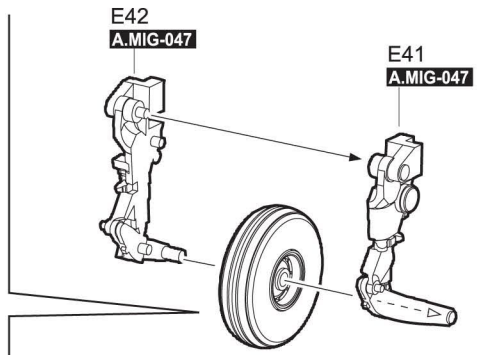
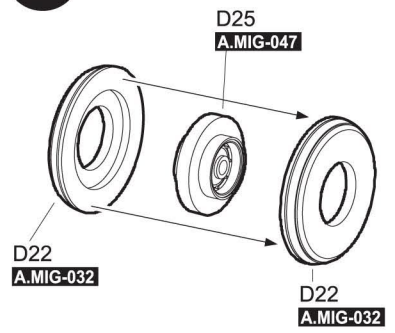




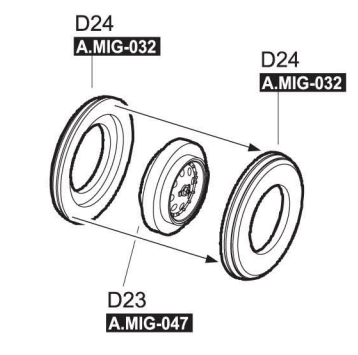
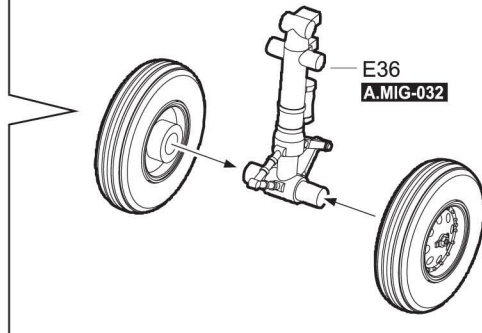
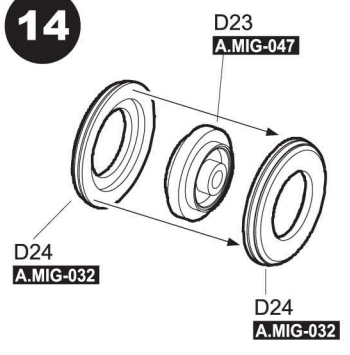
fin	Version									
	ZD990	ZB605	ZB604	ZB605	XW265	XW266	XW272	USMC	Spanish	Thai
original fin	*	*	*	*	*	✓	✓	*	*	*
tall fin	*	*	*	*	*	*	*	✓	✓	✓
RWR fin	✓	✓	✓	✓	✓	*	*	*	*	*



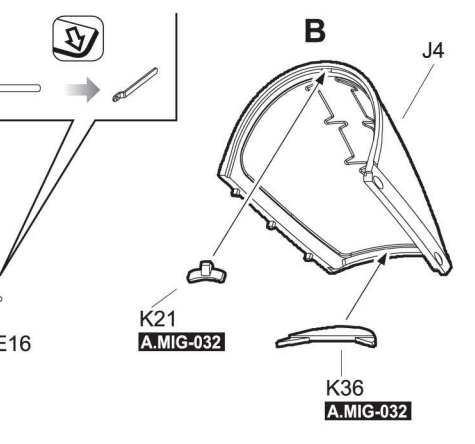
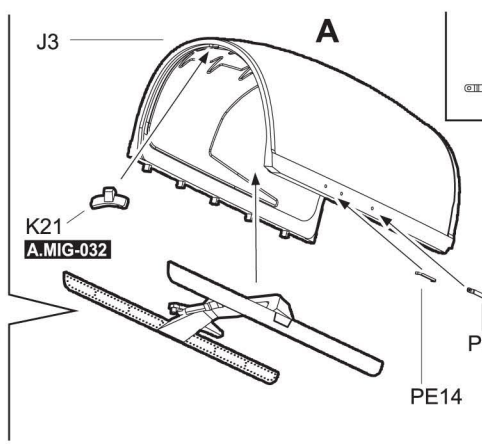
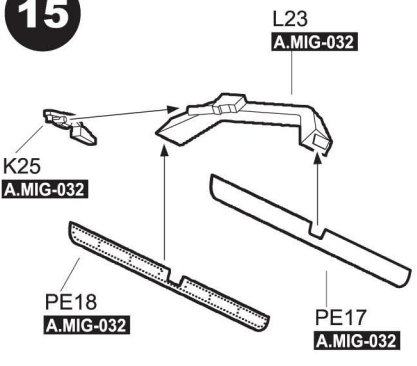
13



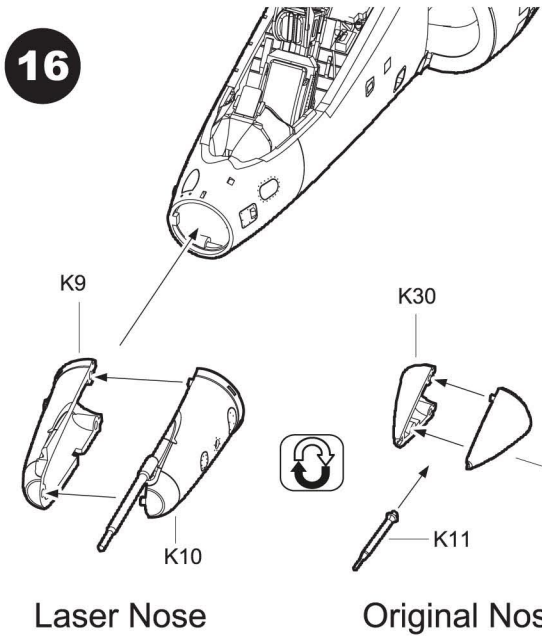
14



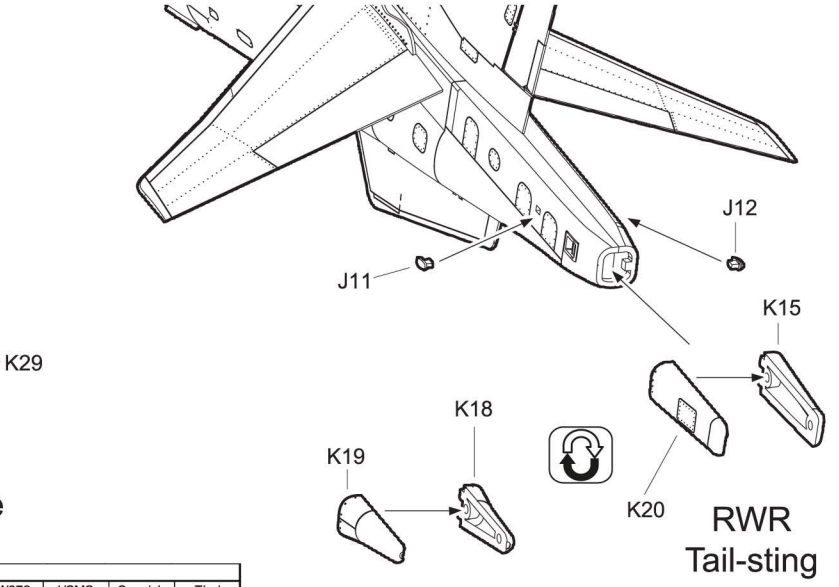
15



16



	Version									
	ZD990	ZB605	ZB604	ZB605	XW265	XW266	XW272	USMC	Spanish	Thai
tail-sting										
original tail-sting	*	*	*	*	✓	✓	*	✓	✓	✓
RWR tail-sting	✓	✓	✓	✓	*	*	✓	*	*	*

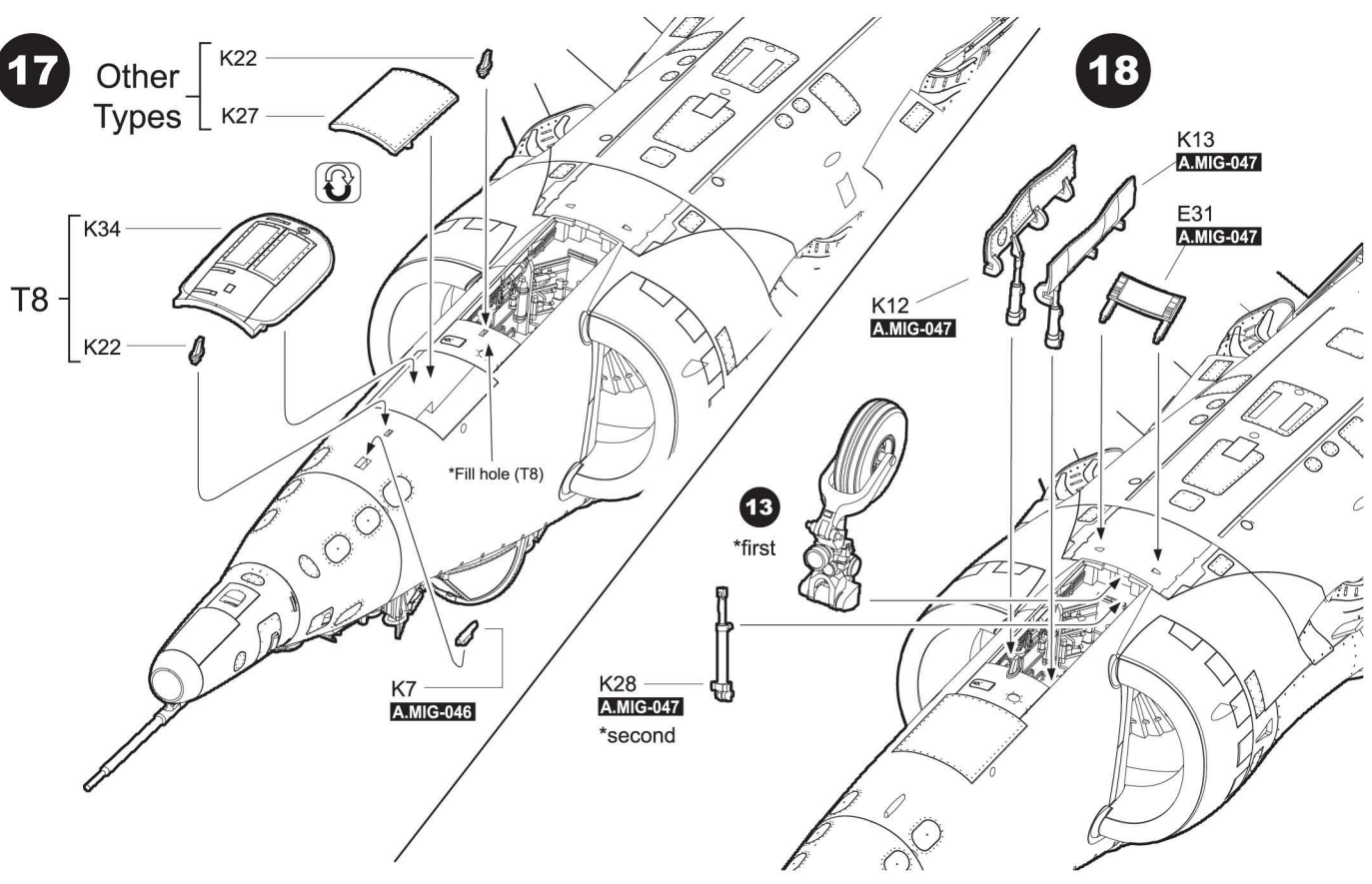


	Version									
	ZD990	ZB605	ZB604	ZB605	XW265	XW266	XW272	USMC	Spanish	Thai
nose										
laser nose	*	*	*	*	*	*	*	*	*	*
original nose	✓	✓	✓	✓	✓	✓	✓	✓	✓	✓

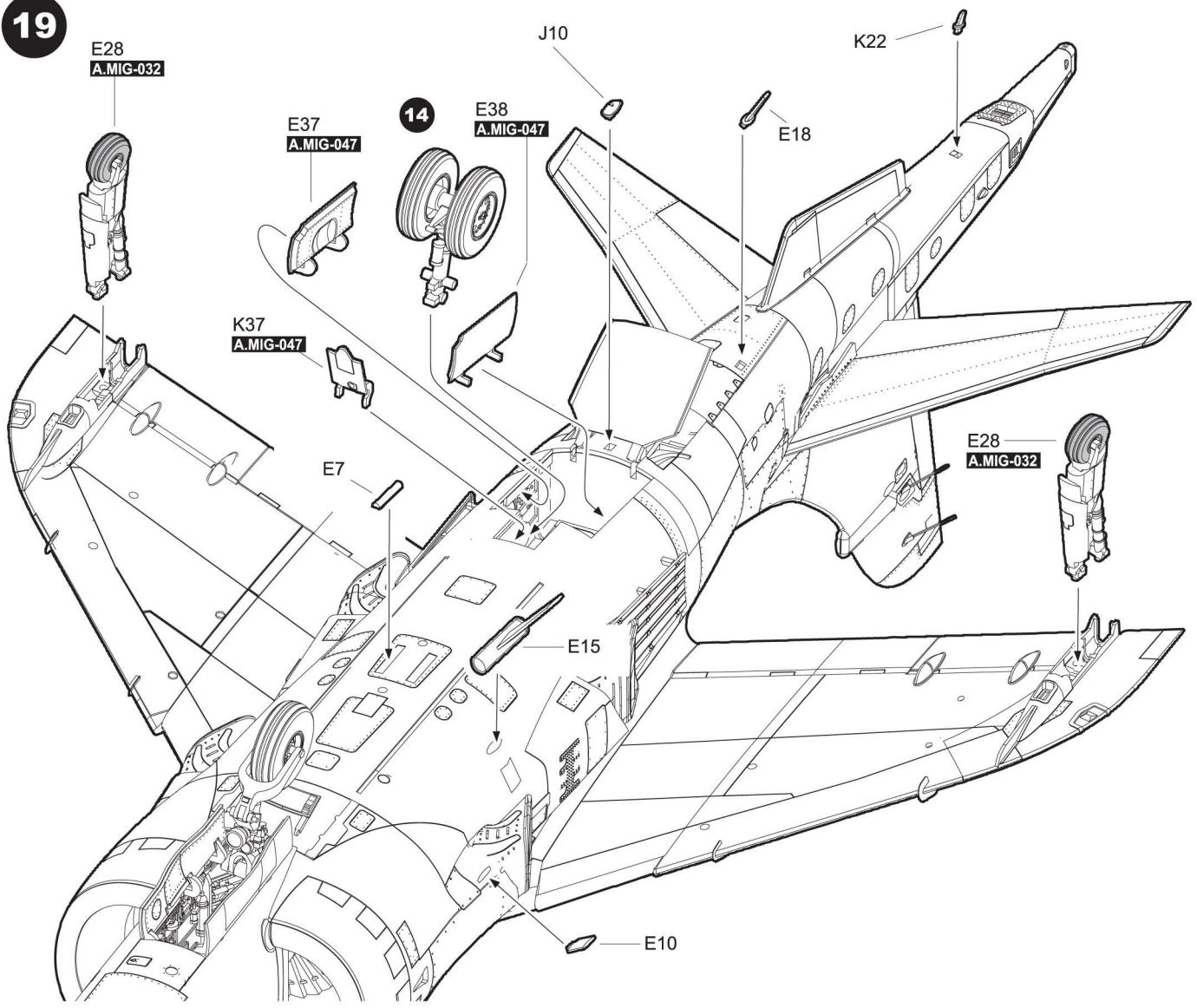
17

Other Types

18



19



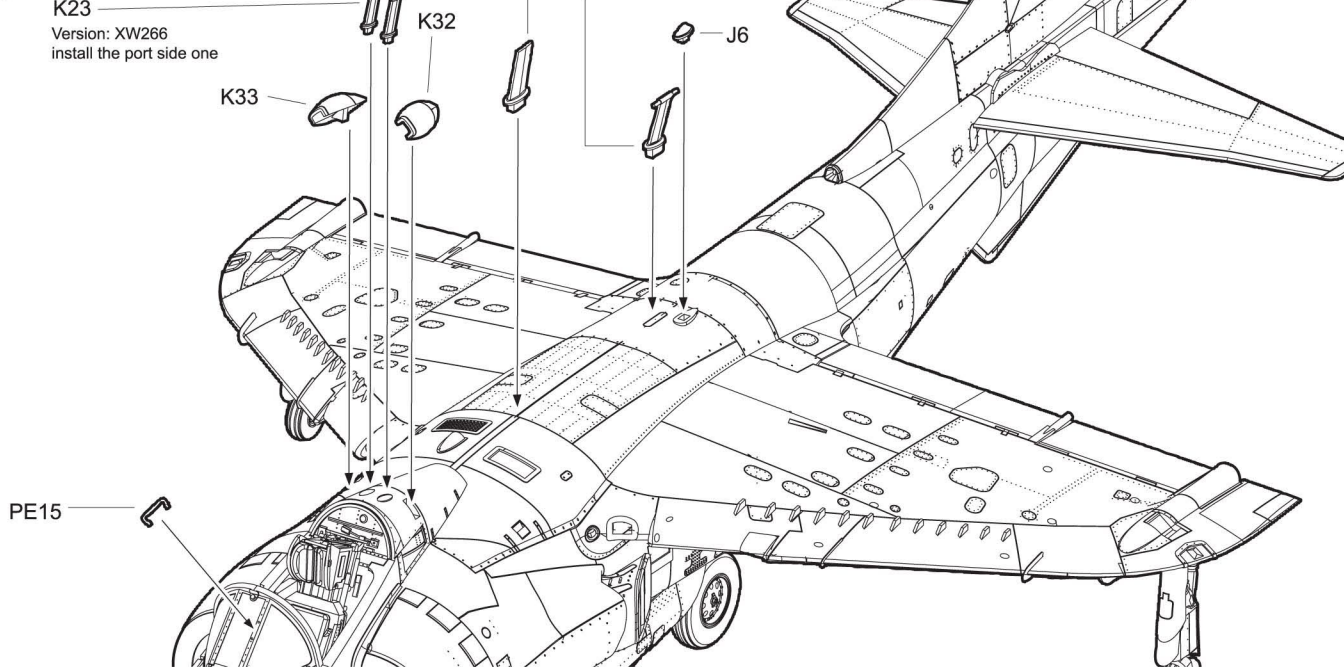
20



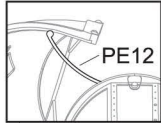
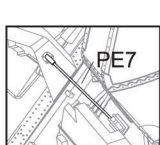
K23
Version: XW266
install the port side one

K17
TAV-8A, TAV-8S are required

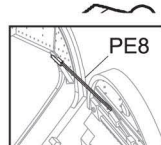
K16
Version: XW266, XW272,
TAV-8A, TAV-8S not fitted it.



21



15 B



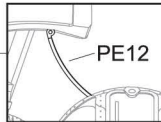
15 A

PE12
A.MIG-046

PE7
A.MIG-046

PE12
A.MIG-046

PE8
A.MIG-046



K5

K22

K24

J14

PE13

J2

K5

E49

M3

T8

Other Types

E14

15 B

15 A

Open Canopy

Close Canopy

K5

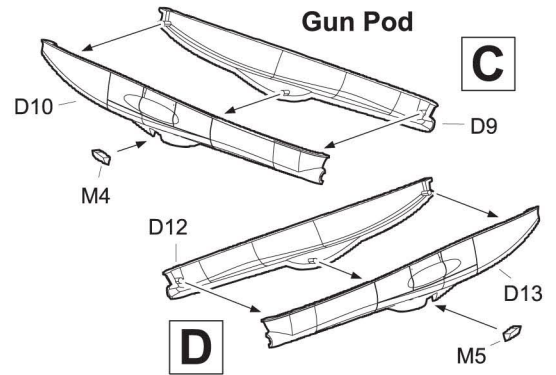
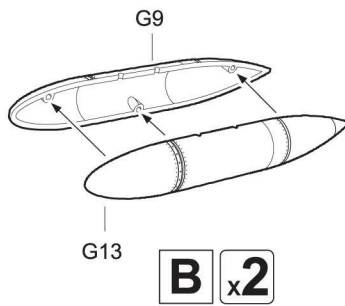
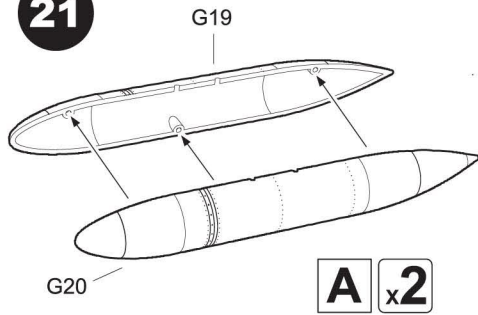
J14

190 Gal fuel tank

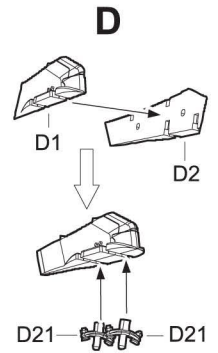
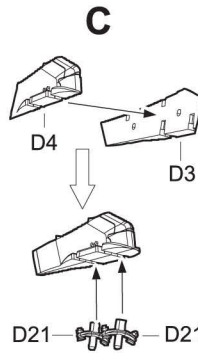
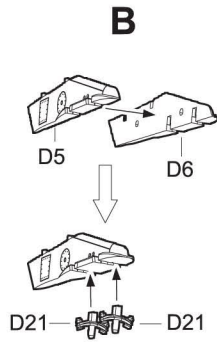
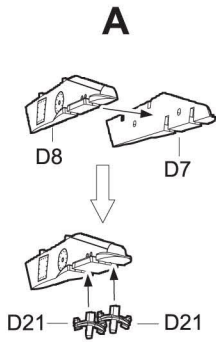
100 Gal fuel tank

Gun Pod

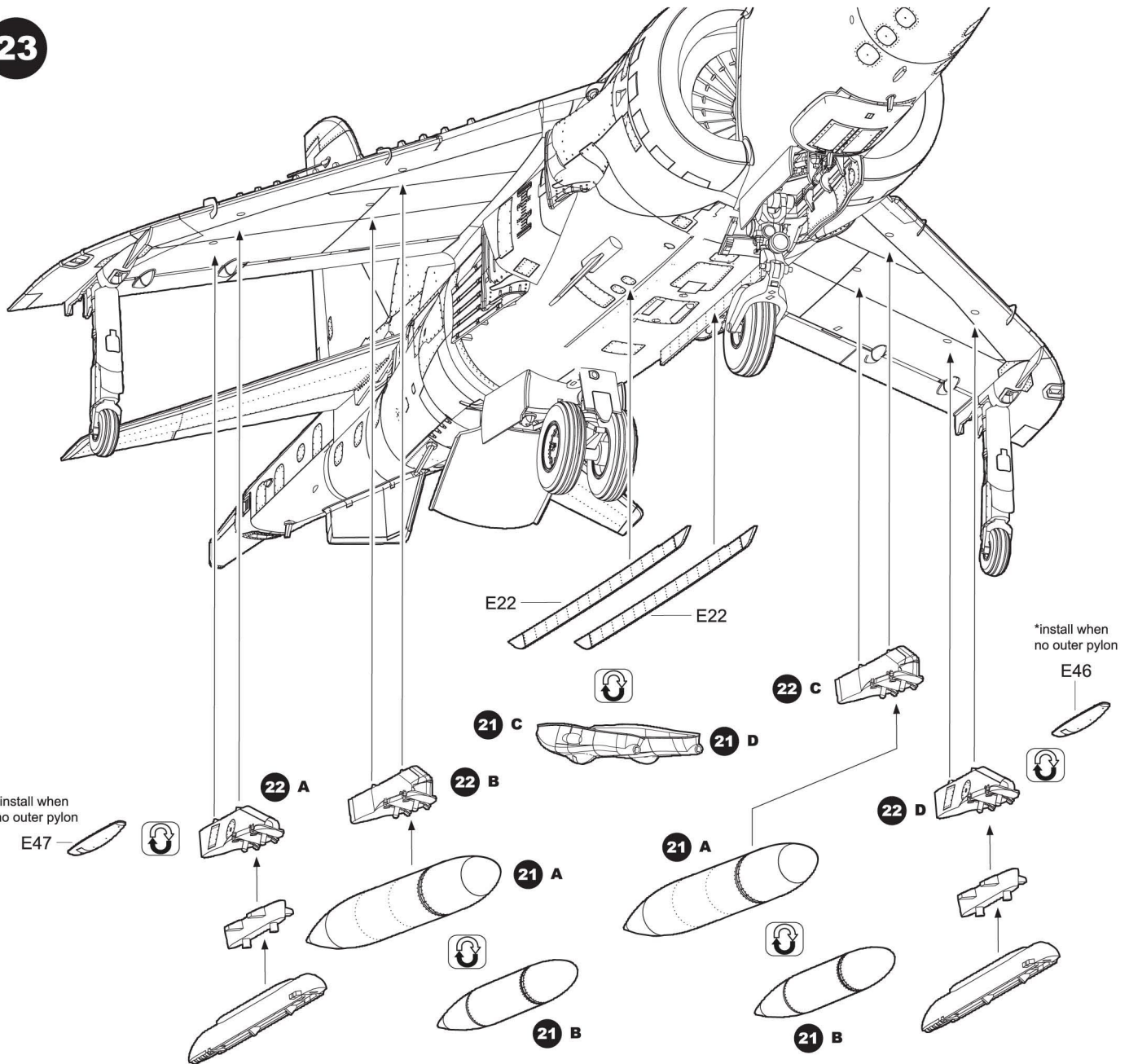
21



22

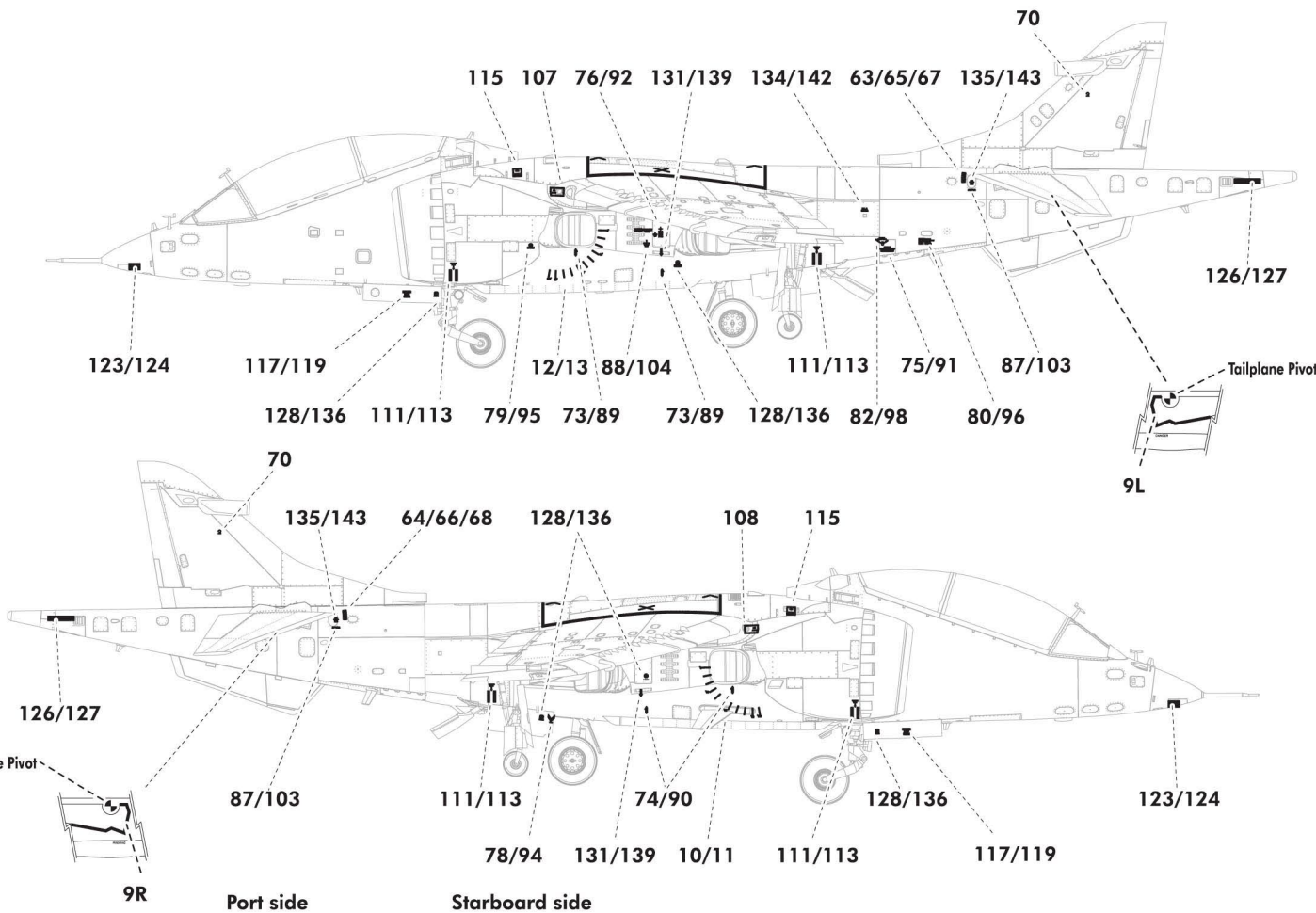


23

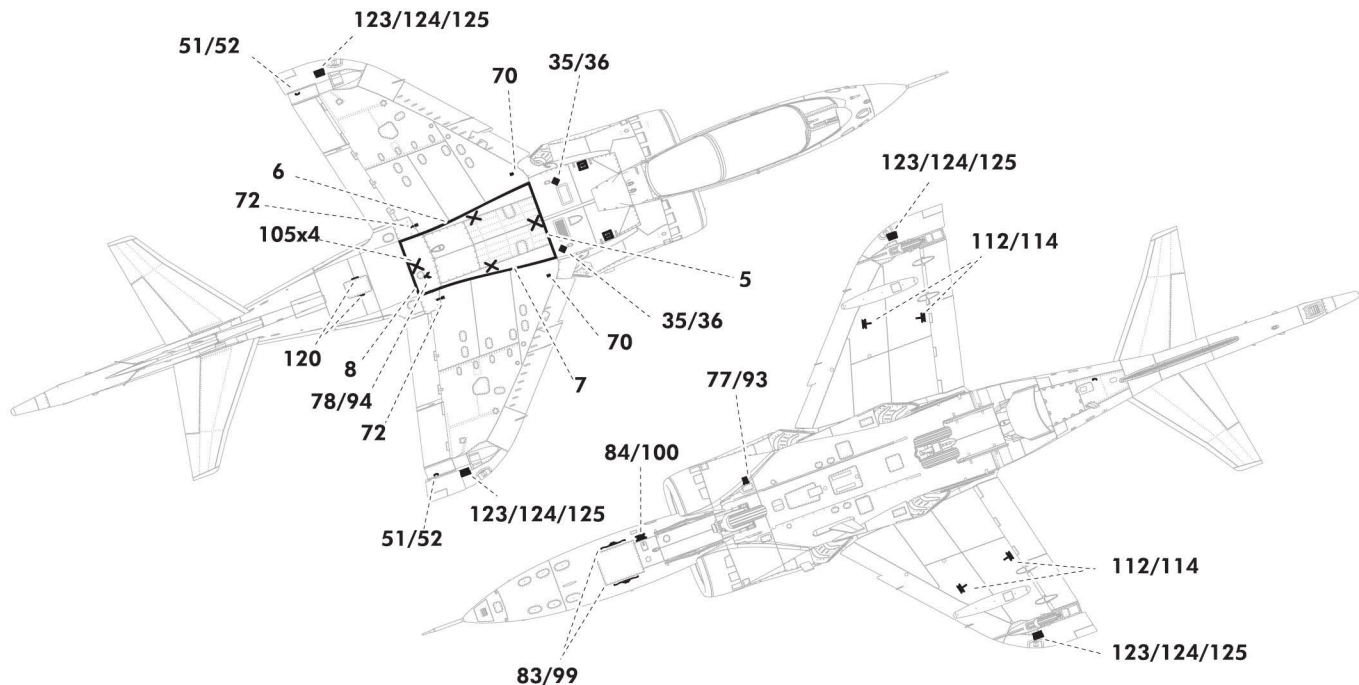


1. Common Stencil markings

White stencil options are applied to the black-colored T8

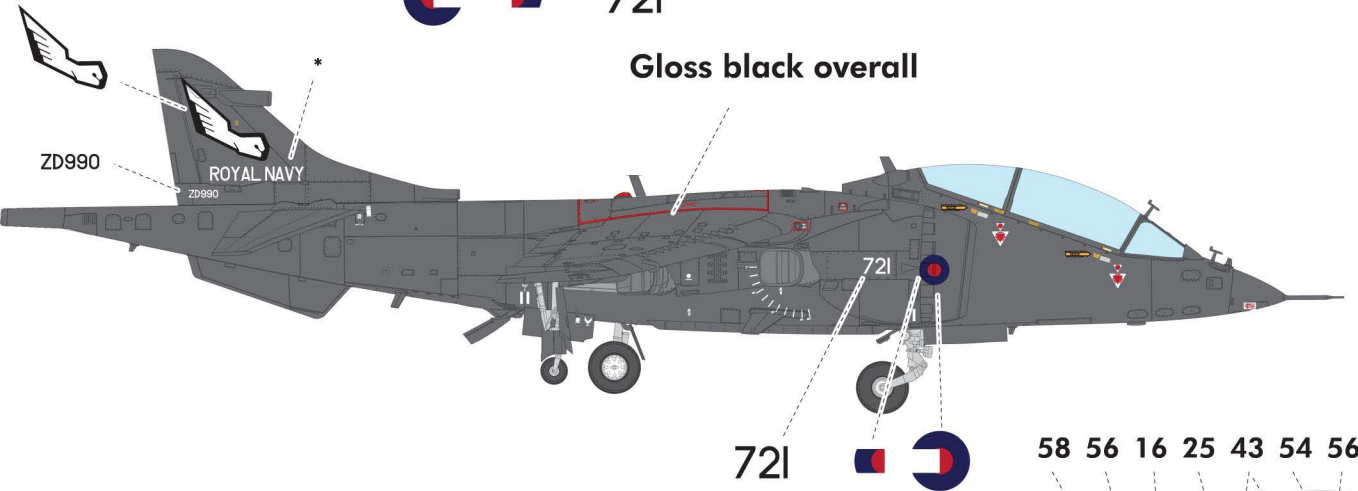
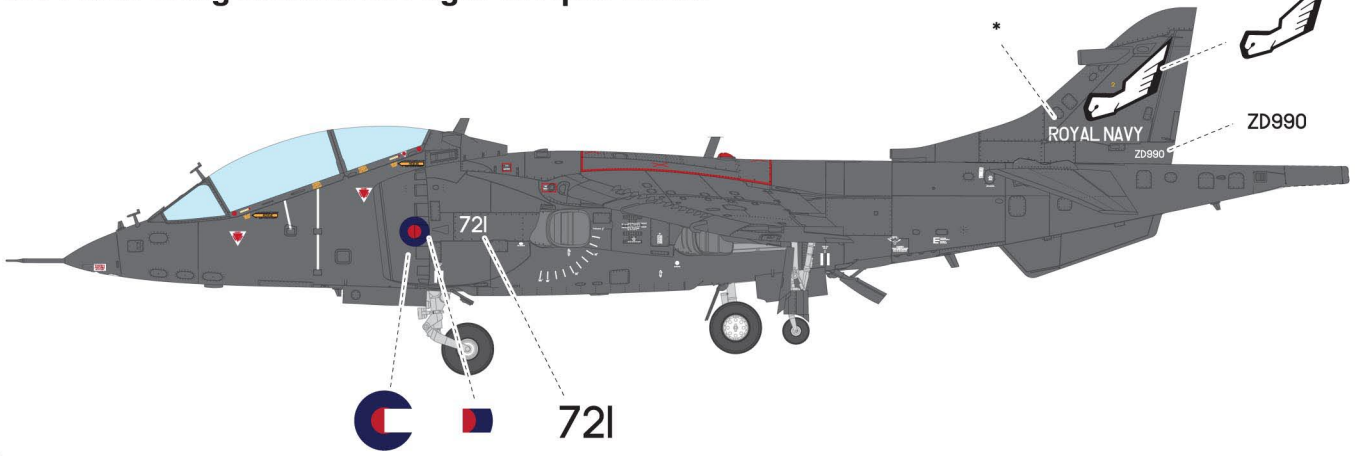


Stencils were only applied to the port (left) sides of both 100 and 190 gallon tanks



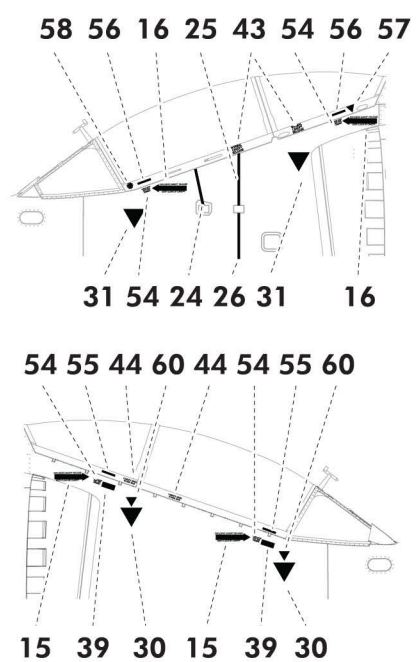
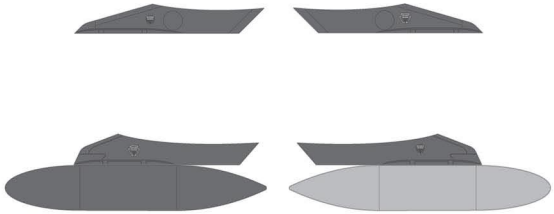
2. Royal Navy, Fleet Air Arm, Harrier T.8, ZD990/721,
 899 Naval Air Squadron, RNAS Yeovilton, 2004-2005;
 RN Fixed Wing Standards Flight to April 2006.

White
 "winged fist"

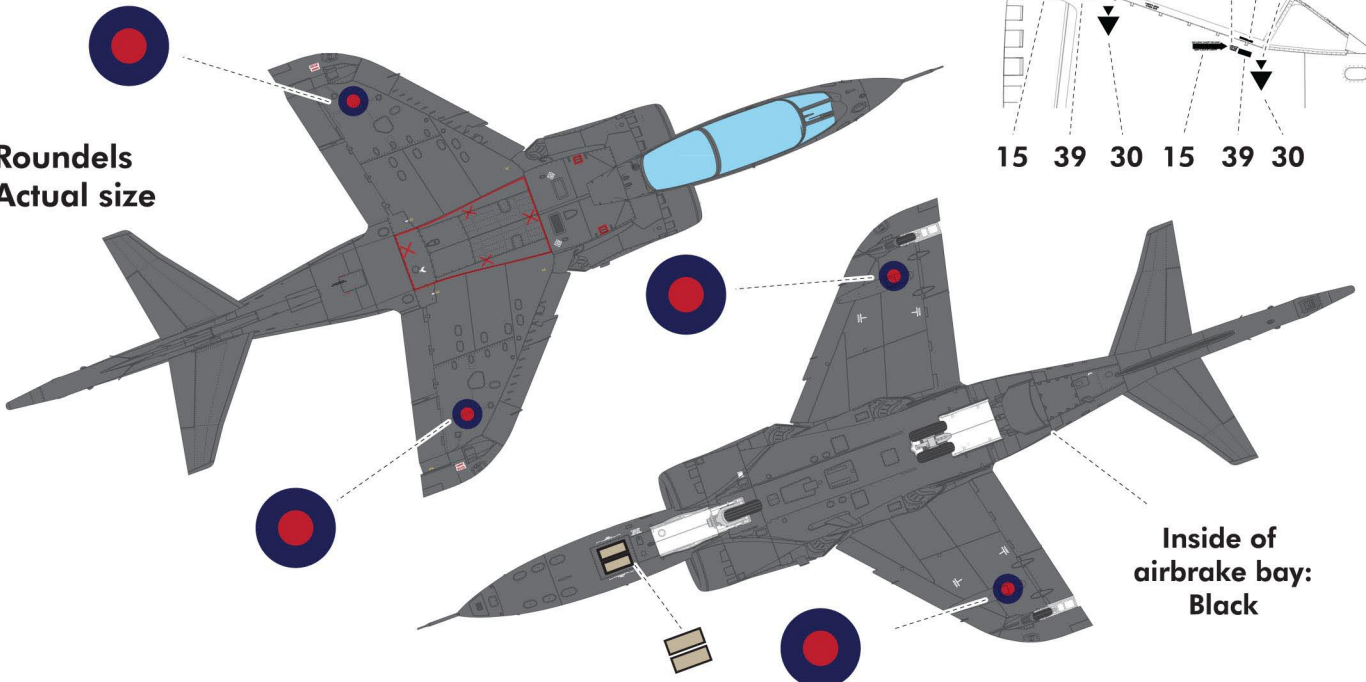


Gloss black overall

Dark sea grey tanks were also used

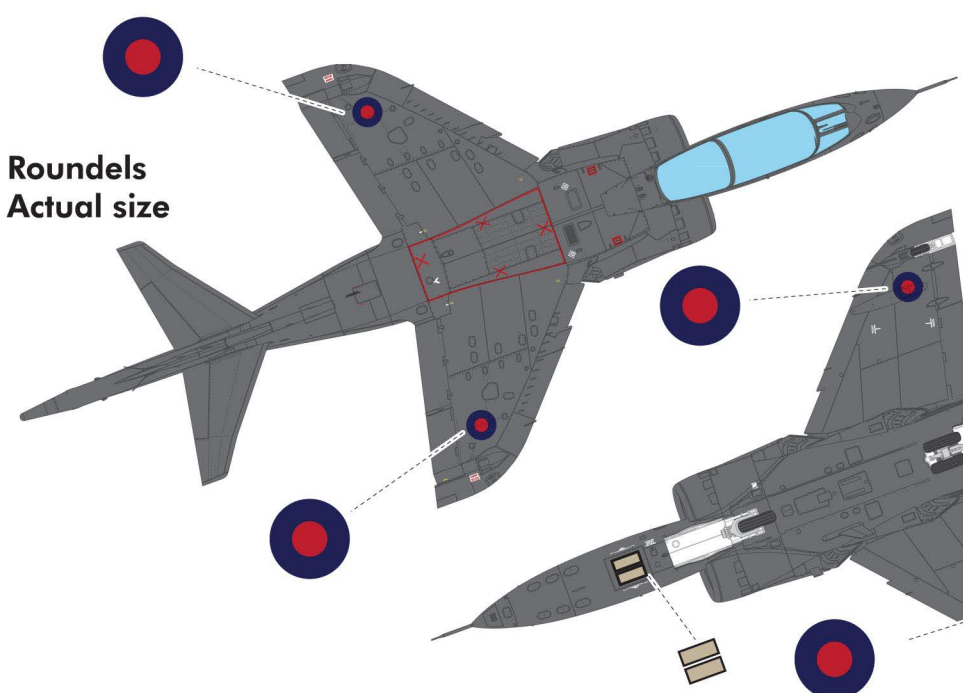
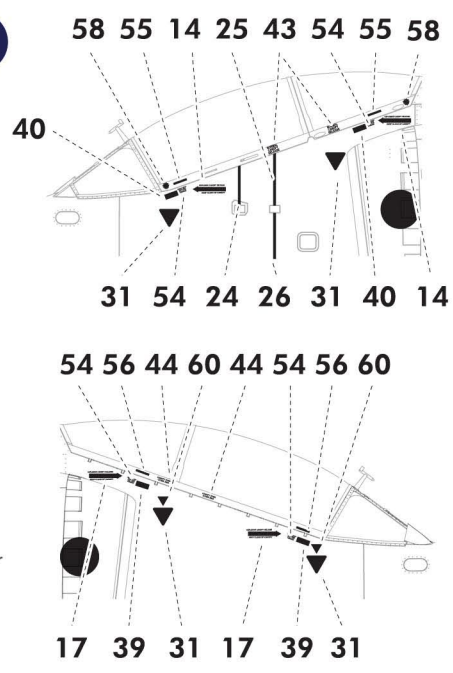
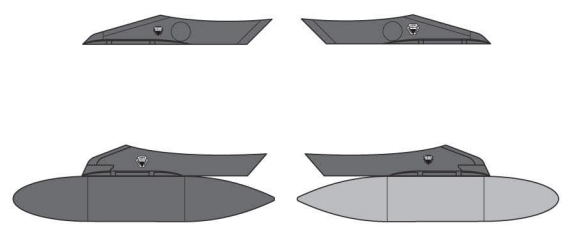
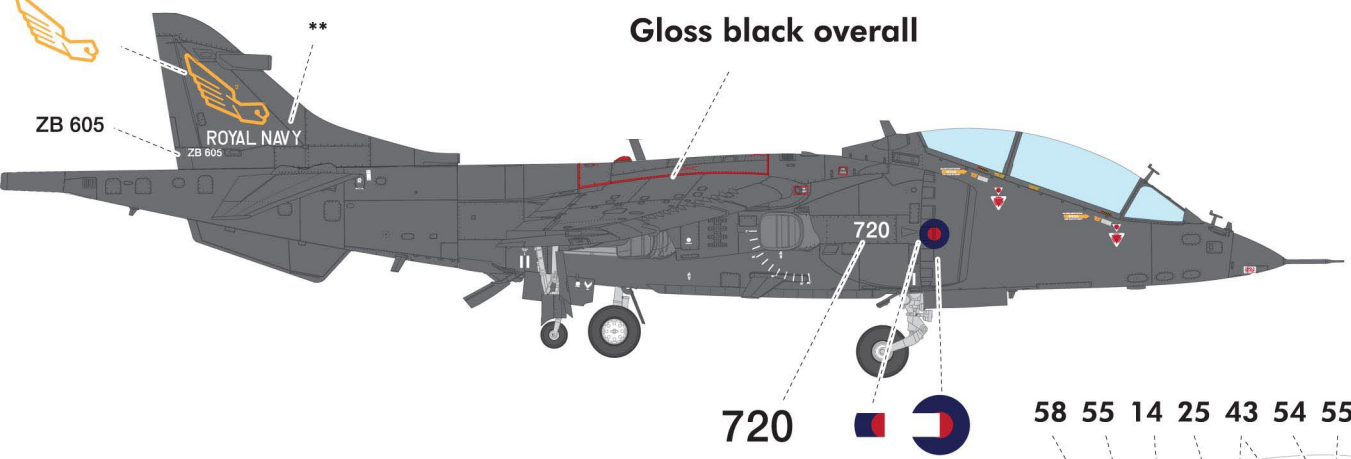
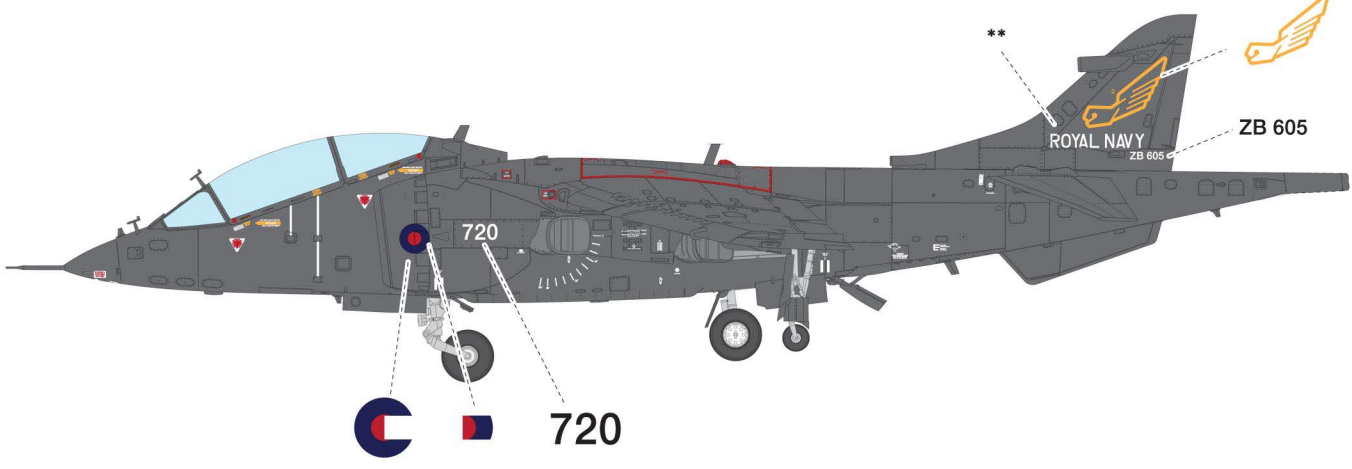


Roundels
 Actual size



3. Royal Navy, Fleet Air Arm, Harrier T.8, ZD605/720, 899 Naval Air Squadron, RNAS Yeovilton, 1996.

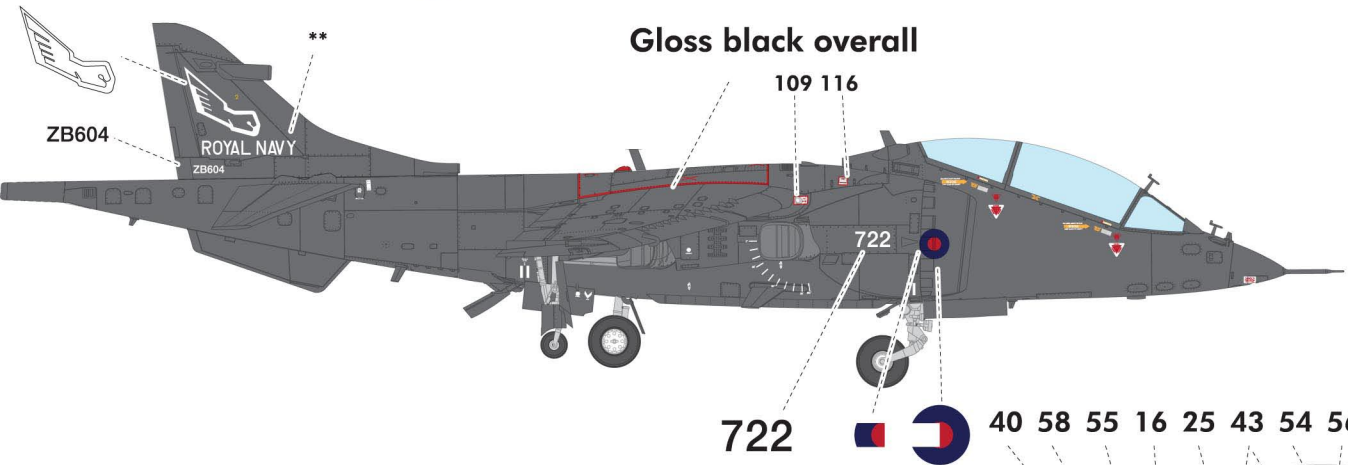
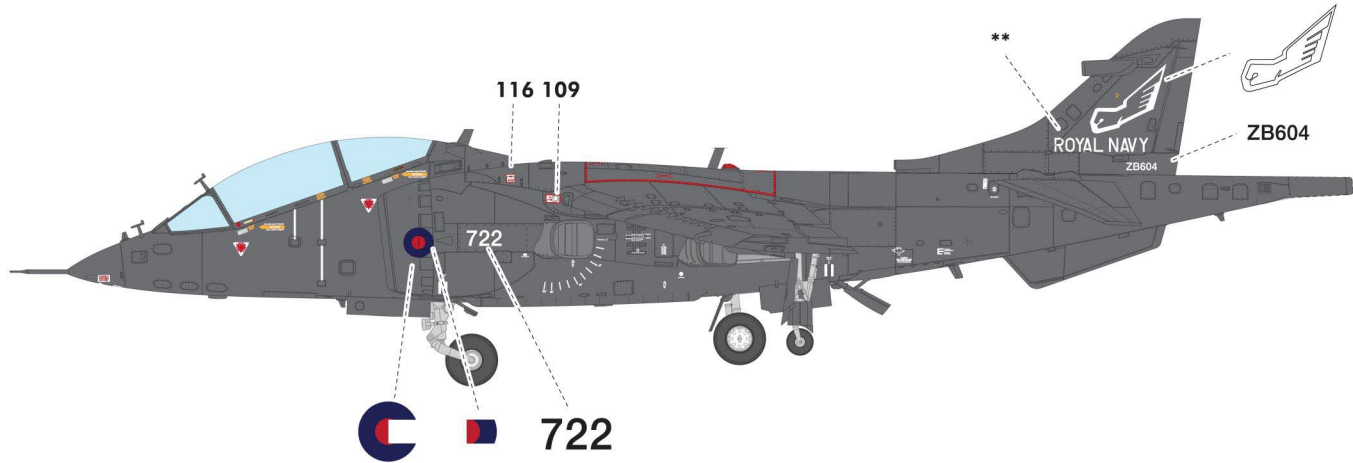
Gold "winged fist"



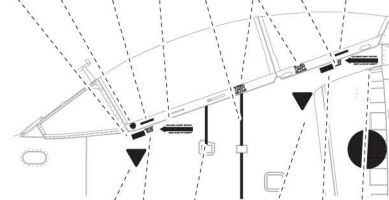
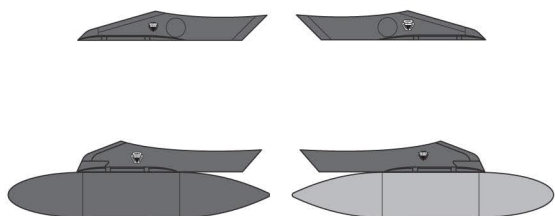
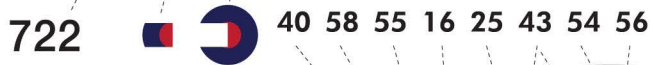
Inside of airbrake bay: Black

4. Royal Navy, Fleet Air Arm, Harrier T.8, ZD604/722,
899 Naval Air Squadron, RNAS Yeovilton, 1996.

White
"winged fist"

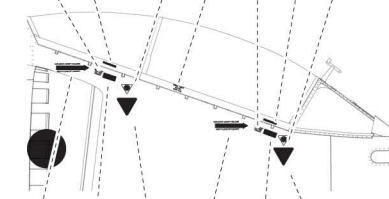


Gloss black overall



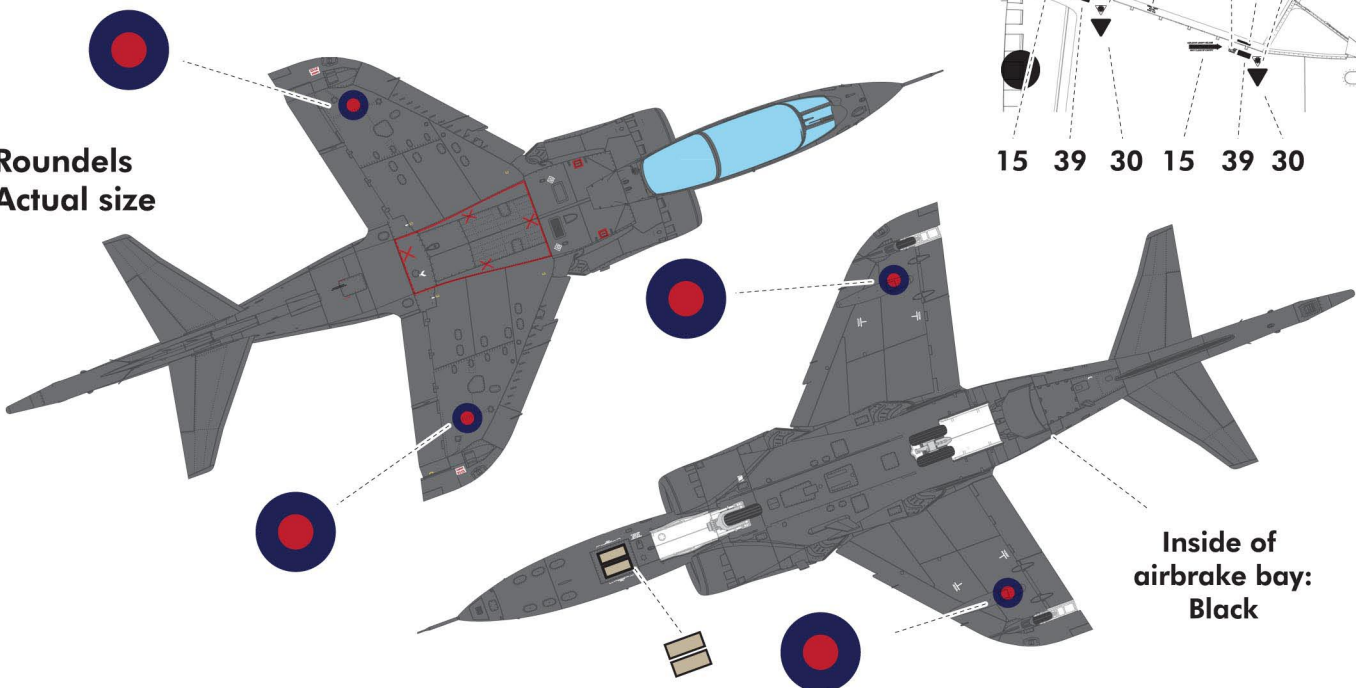
31 54 24 26 31 40 16

54 55 61 46 54 55 61



15 39 30 15 39 30

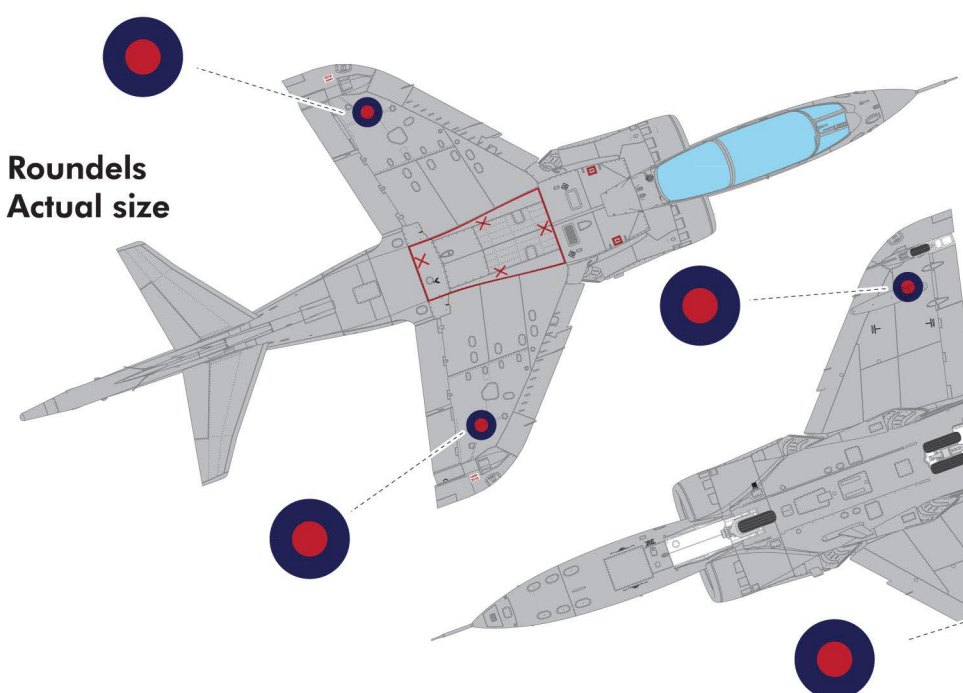
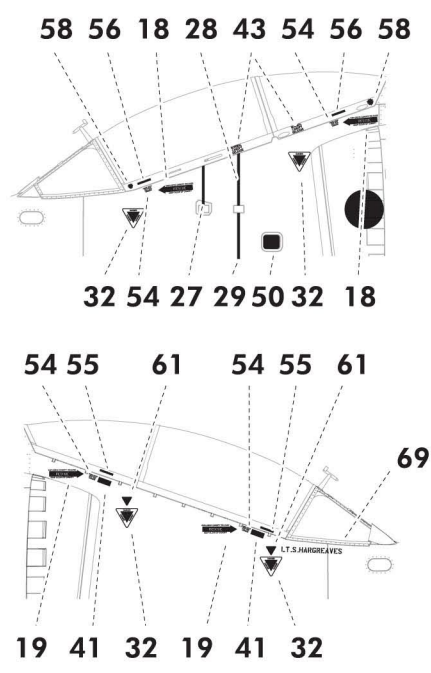
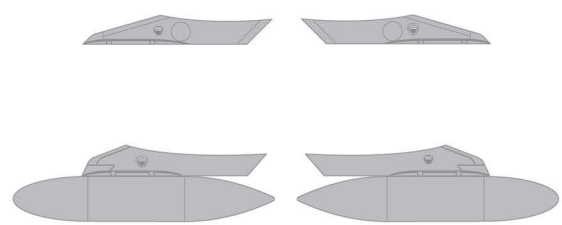
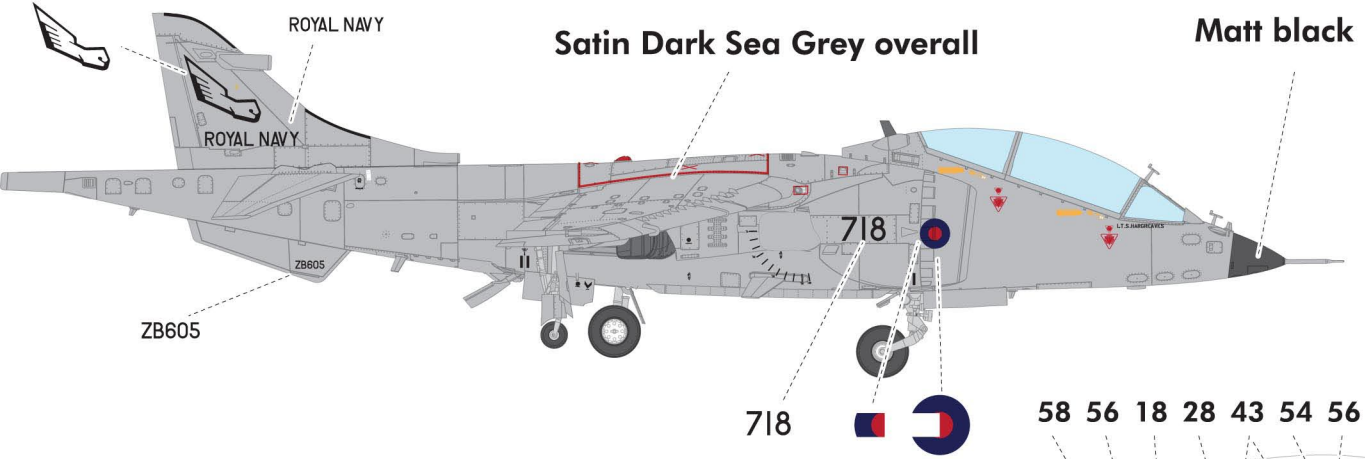
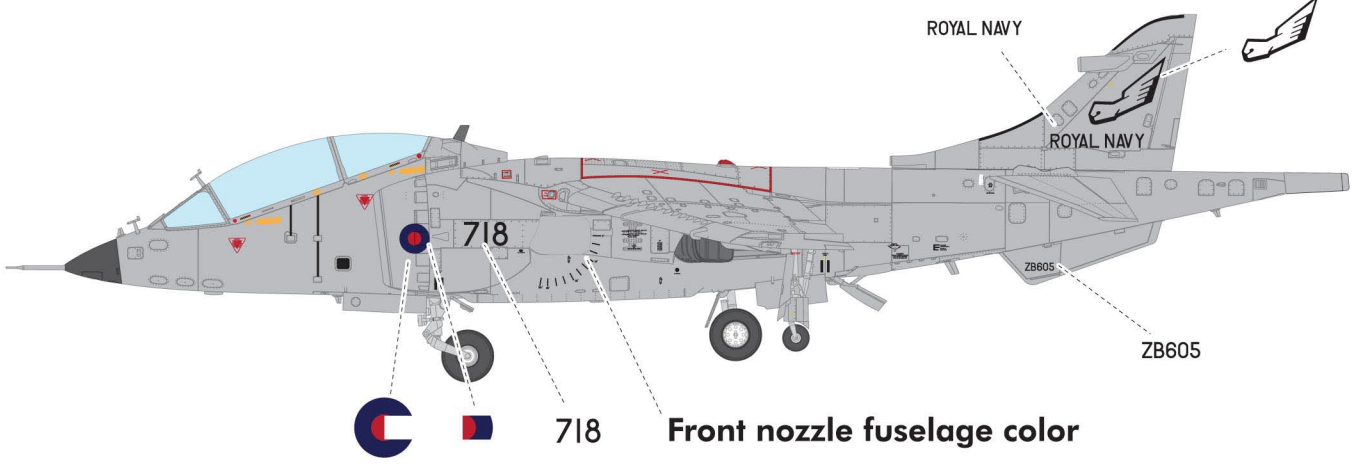
Roundels
Actual size



Inside of
airbrake bay:
Black

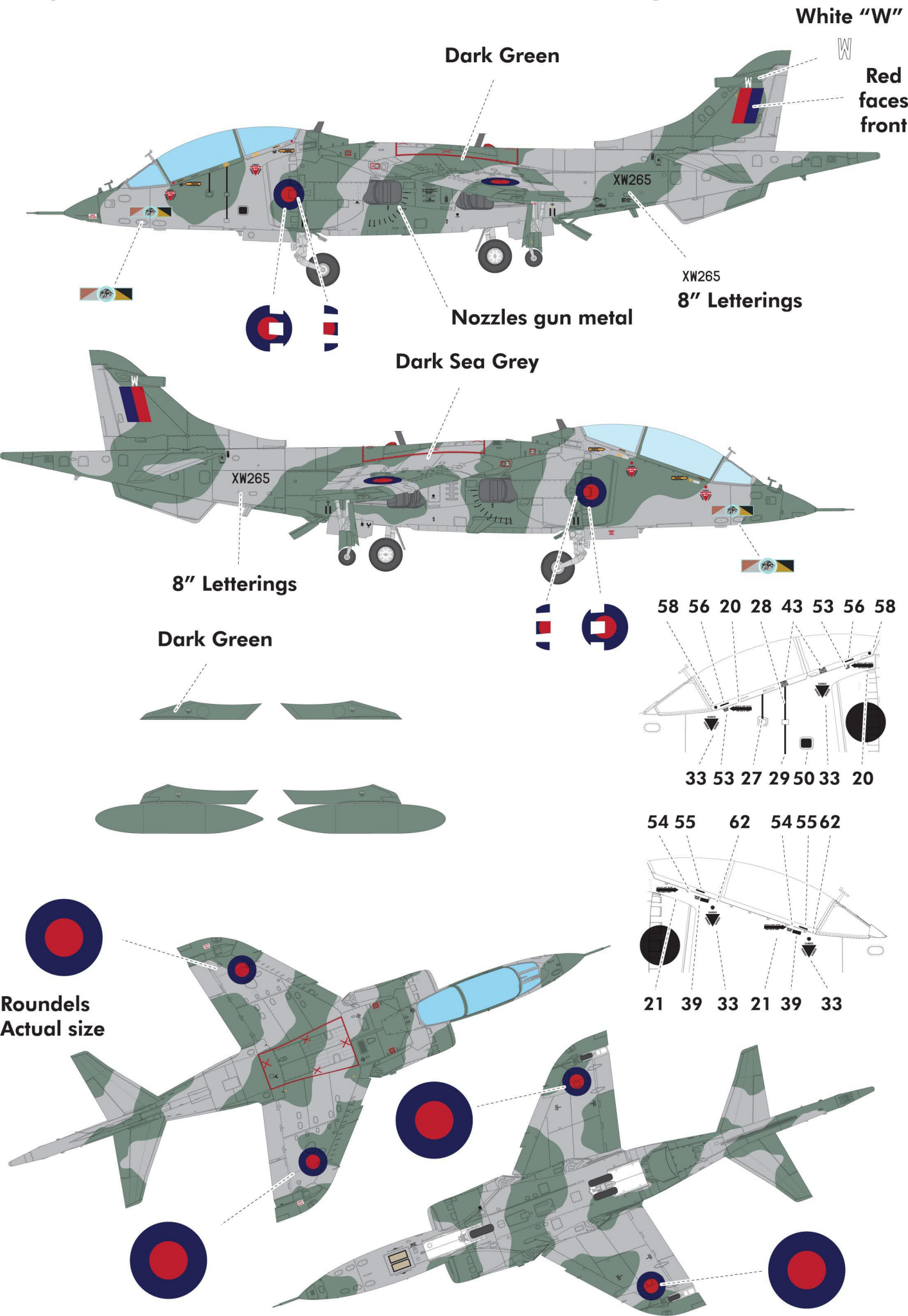
5. Royal Navy, Fleet Air Arm, Harrier T.8, ZD605/718, 899 Naval Air Squadron, RNAS Yeovilton, 1985.

Black outline
"winged fist"



Inside of
airbrake bay:
Fuselage color

6. Royal Air Force, Harrier T.4A, XW265/W, 2330CU, RAF Wittering, 1992.



White "W"



Red faces front

Dark Green

XW265

XW265

8" Letterings

Nozzles gun metal

Dark Sea Grey

XW265

8" Letterings

Dark Green

58 56 20 28 43 53 56 58

33 53 27 29 50 33 20

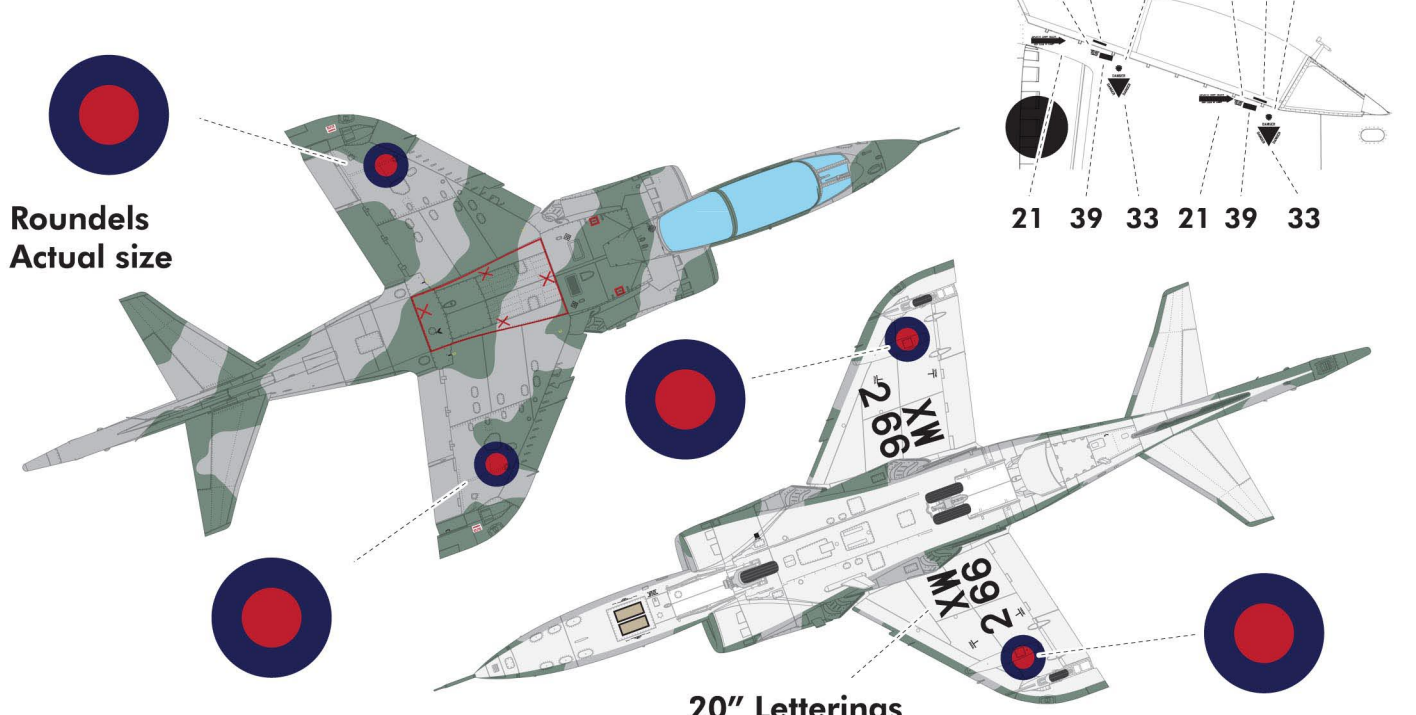
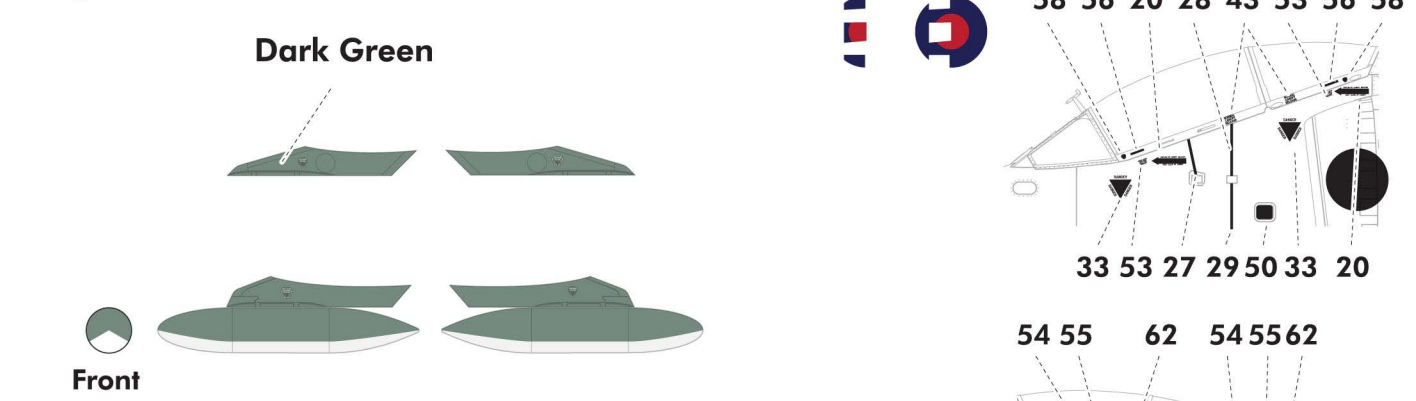
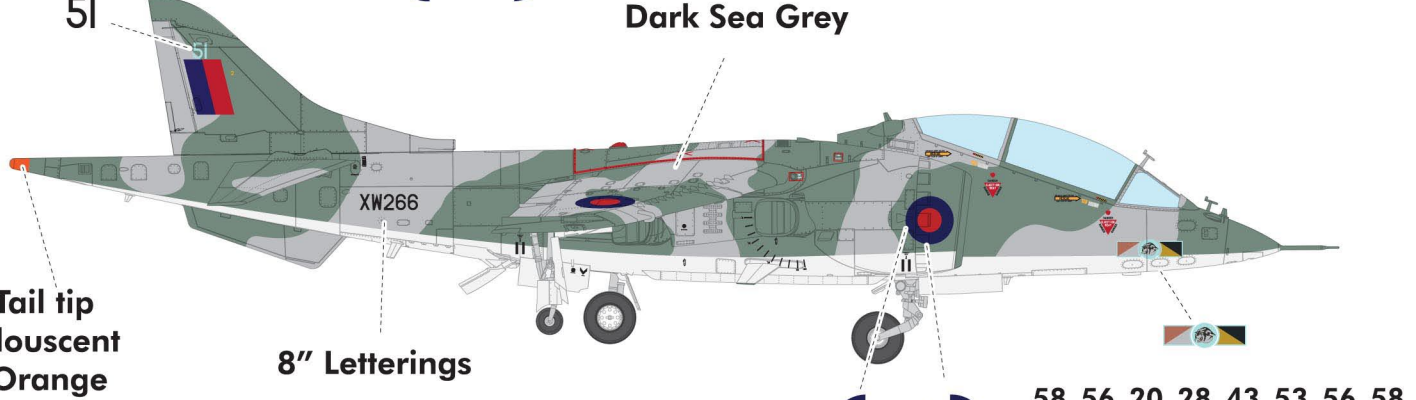
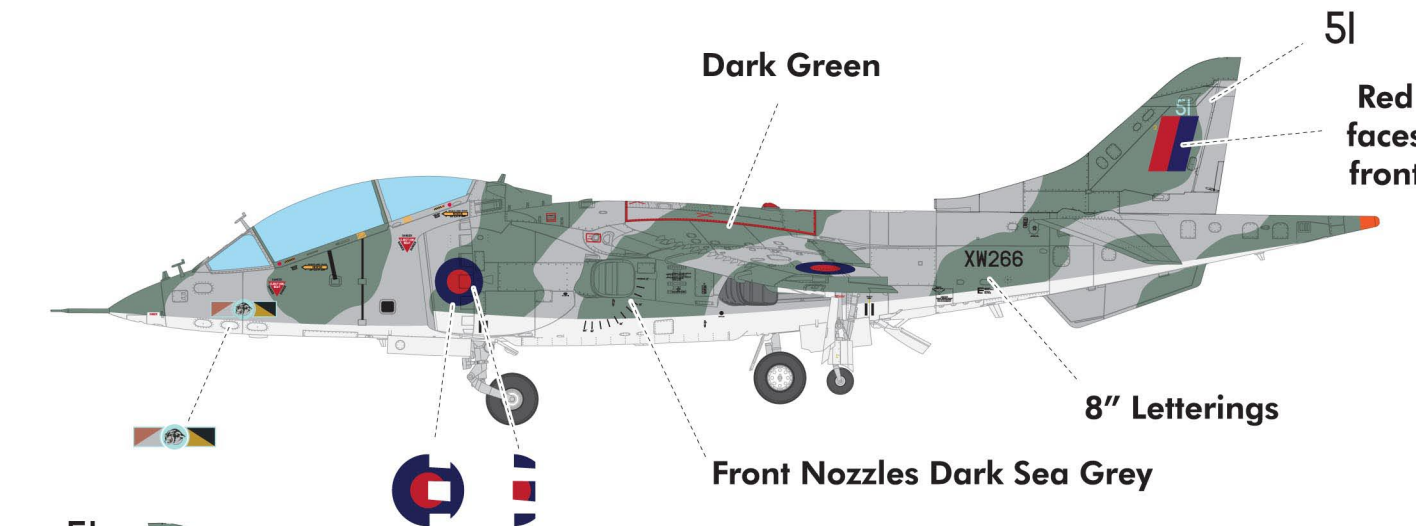
54 55 62 54 55 62

21 39 33 21 39 33

Roundels Actual size

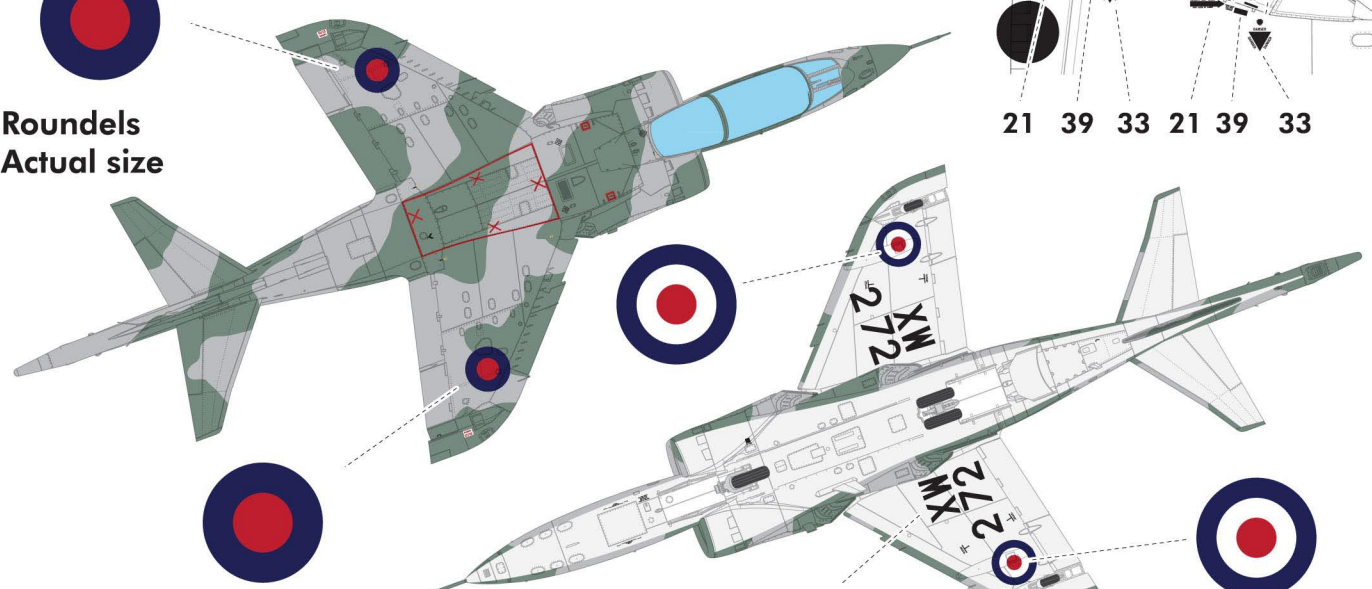
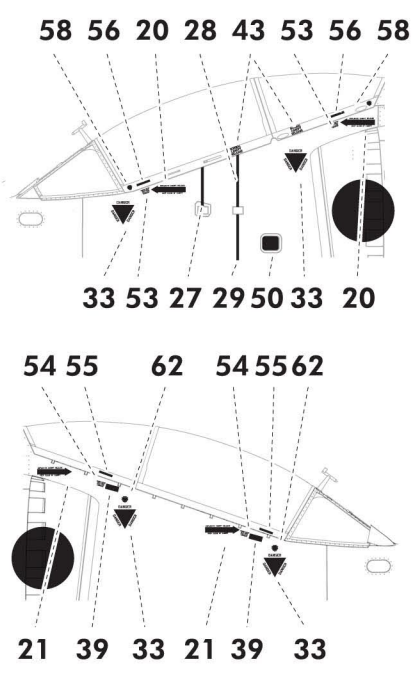
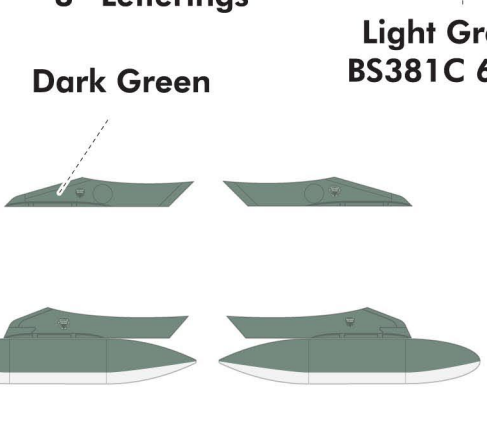
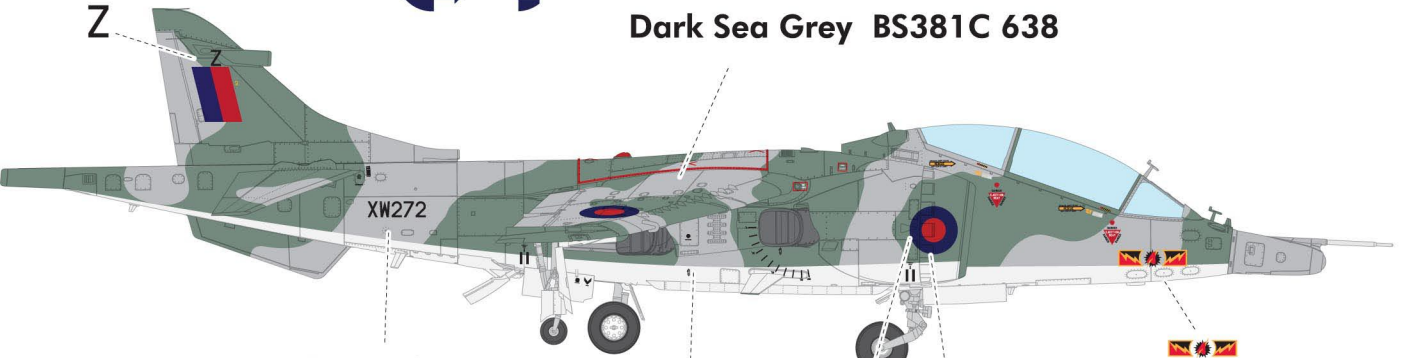


7. Royal Air Force, Harrier T.4A, XW266/51, 2330CU, RAF Wittering, 1975.



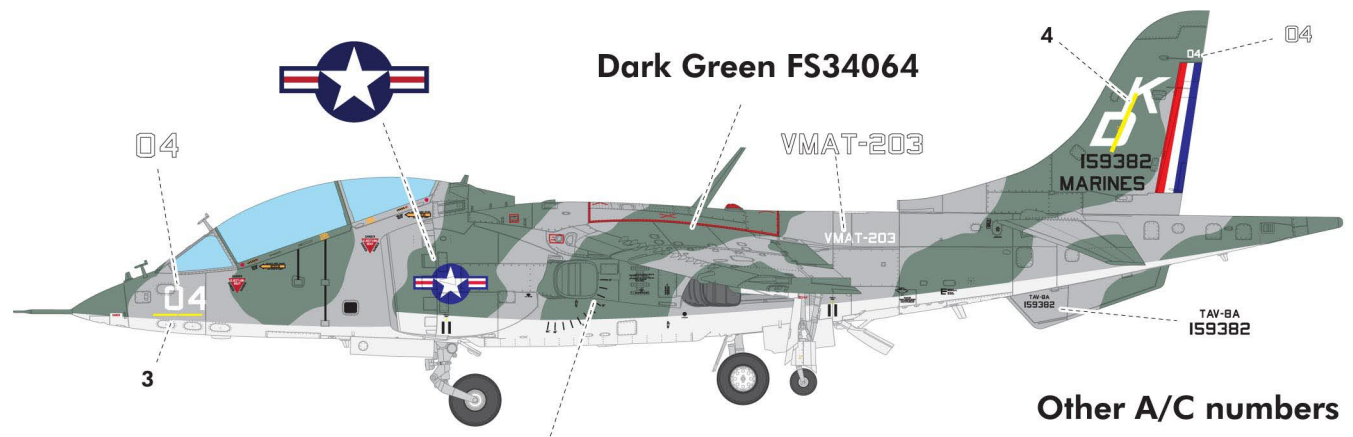
Roundels Actual size

8. Royal Air Force, Harrier T.4, XW272/Z, IV(AC) SQN, RAF Gütersloh, 1980.



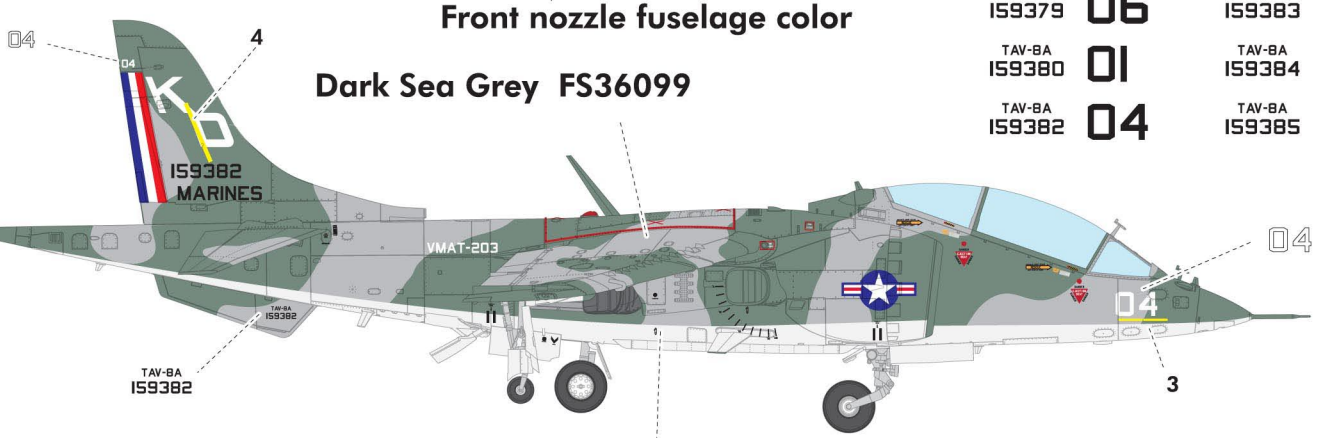
20" Letterings

9. US Marine Corps TAV-8A, VMAT-203, MCAS Cherry Point, late 1970s.



Other A/C numbers

TAV-BA 159379	06	TAV-BA 159383	05
TAV-BA 159380	01	TAV-BA 159384	12
TAV-BA 159382	04	TAV-BA 159385	03

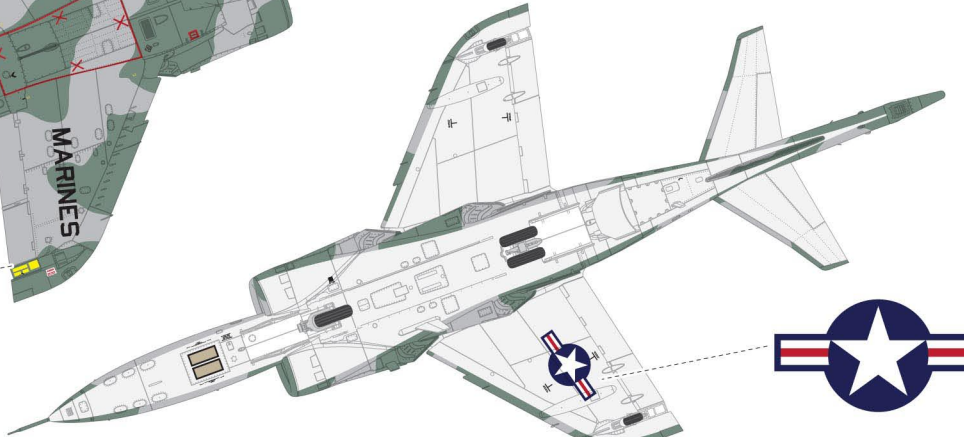
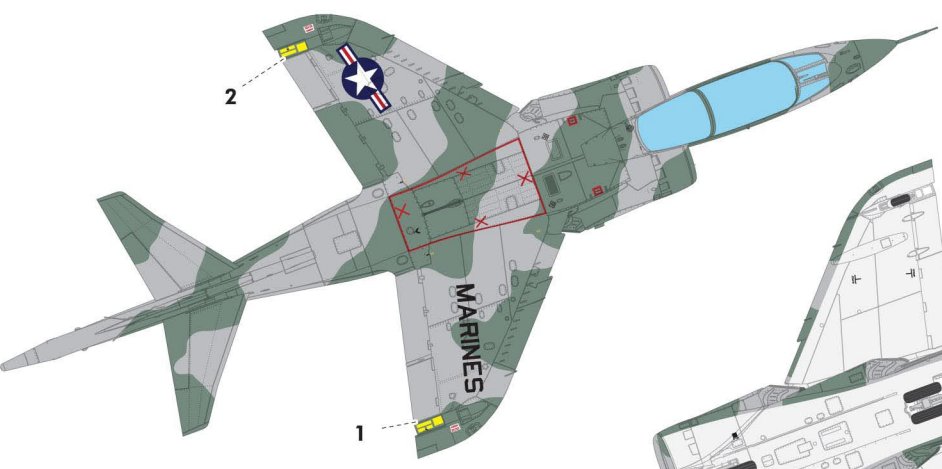
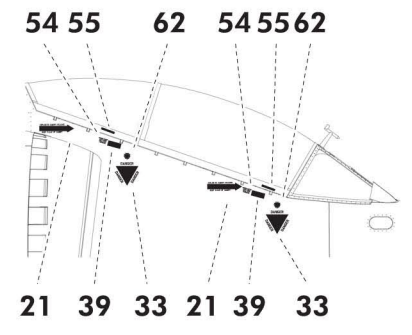
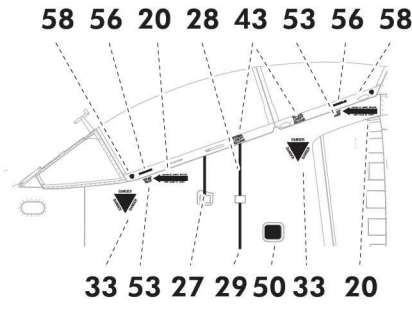
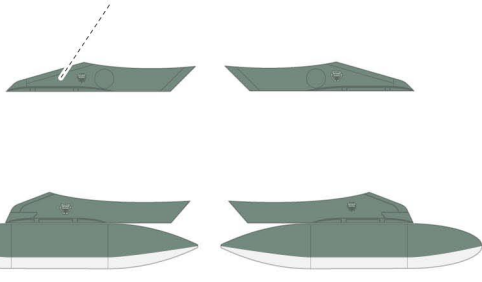


Front nozzle fuselage color

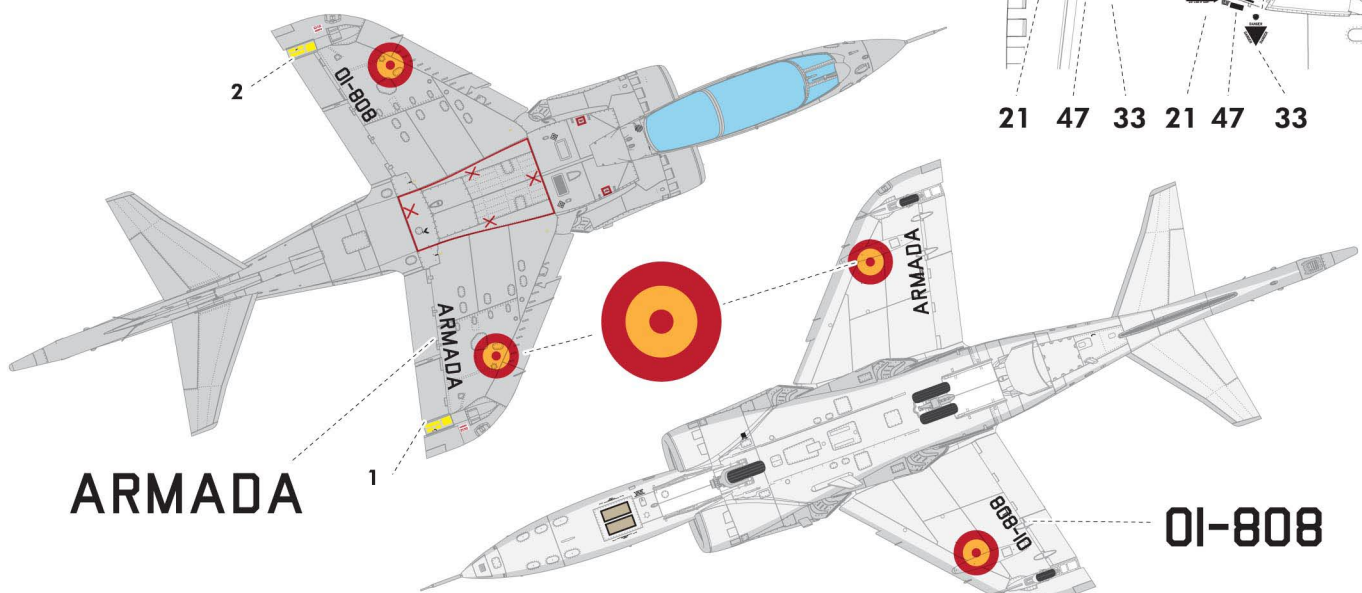
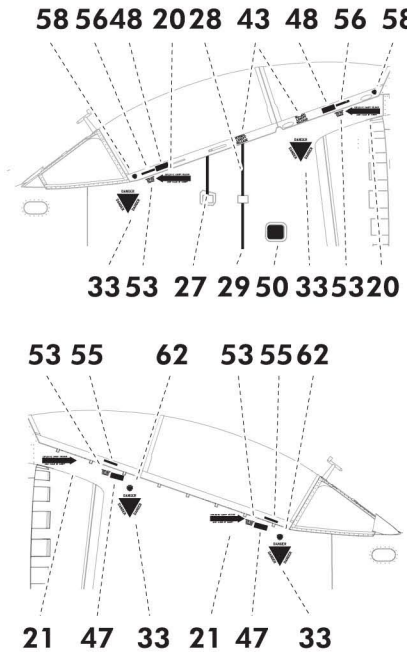
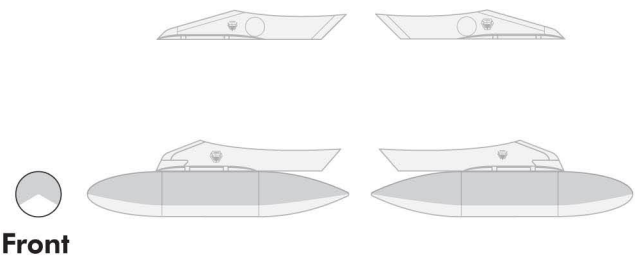
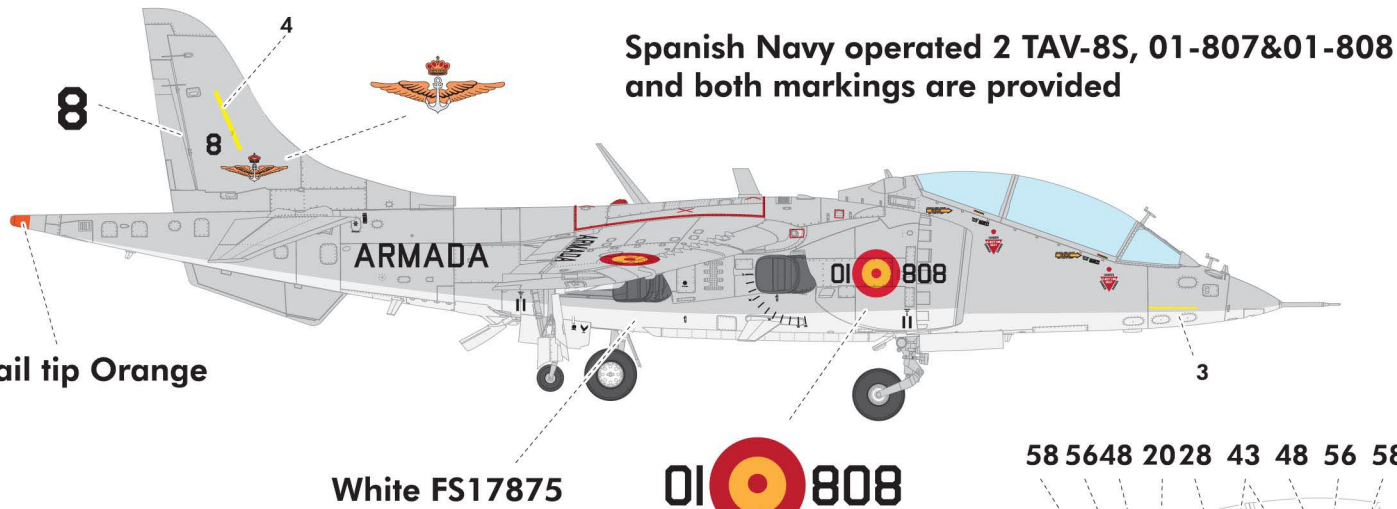
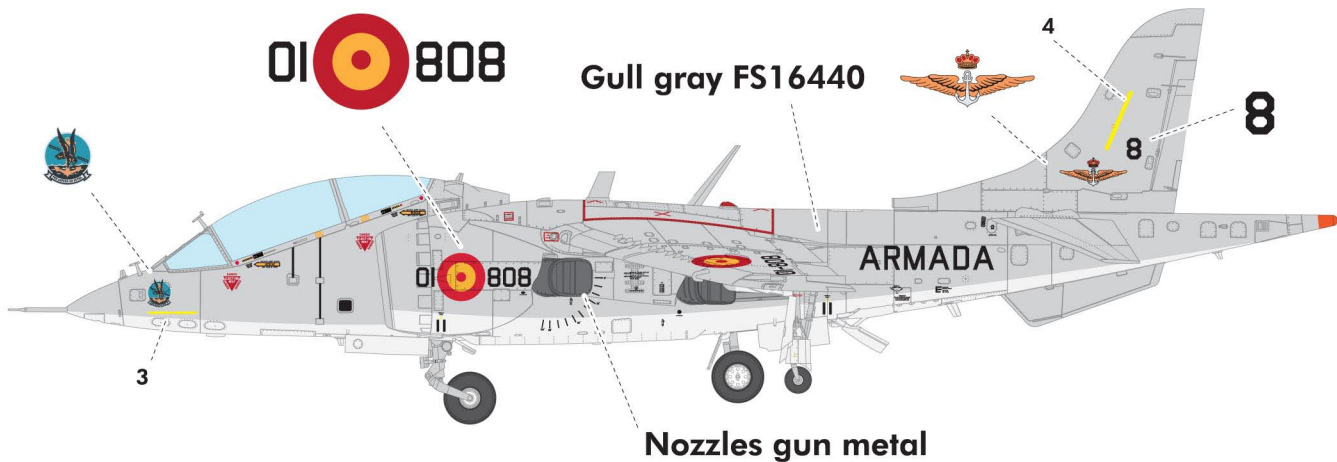
Dark Sea Grey FS36099

Light Grey FS36440

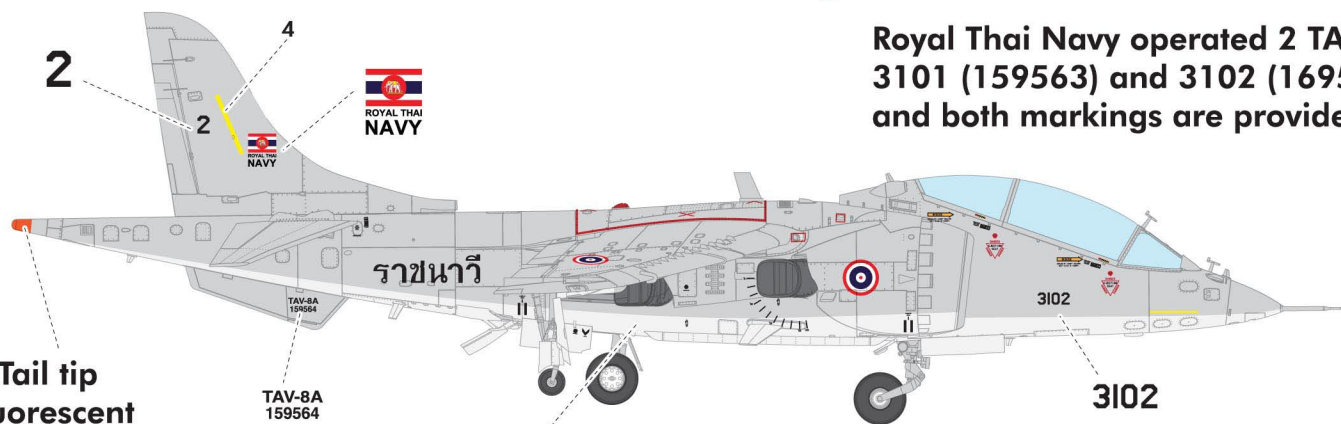
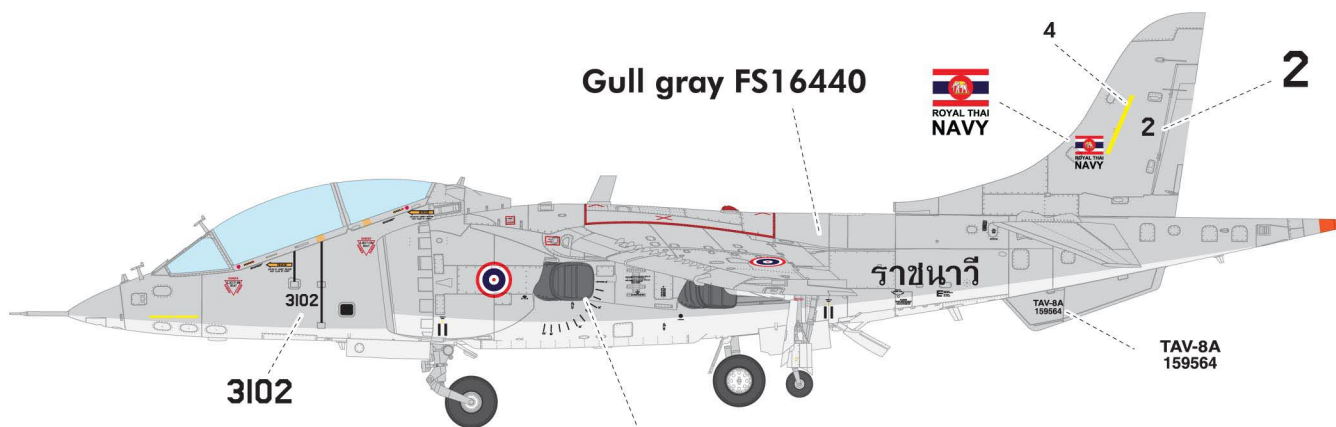
Dark Green



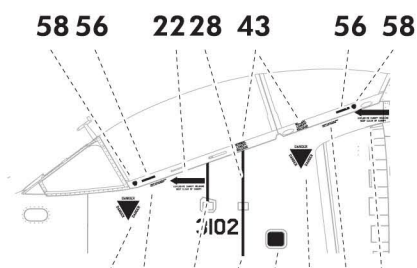
10. Armada Española (Spanish Navy) TAV-8S, 8ª Escuadrilla (8th Sqn), 1988.



11. Royal Thai Navy TAV-8S, 301 Squadron, late 1990s.



Royal Thai Navy operated 2 TAV-8S, 3101 (159563) and 3102 (169564) and both markings are provided



34 49 27 29 50 34 49 22

