

Jumo 012 (1/72- 1/48)

Information and tips

We have deliberately chosen the FDM process to produce our models. For optimal results, the models are printed at high resolution with custom developed print profiles. This enables us to use bio- degradable materials with minimal waste and no involvement of toxic chemicals. A certain surface roughness is however inevitable. If desired, light sanding will help to improve surface finish. For gluing, cyanoacrylate glue works well.

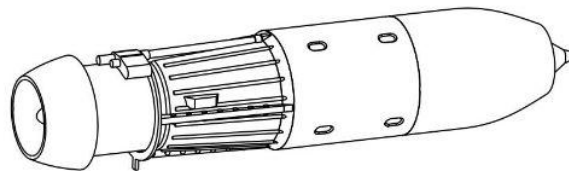
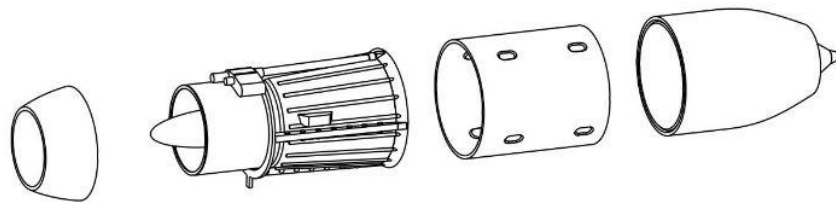
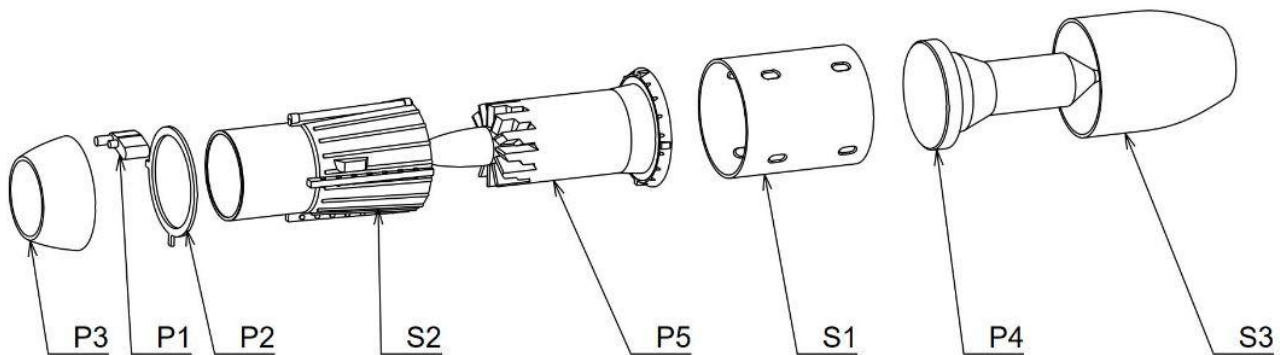
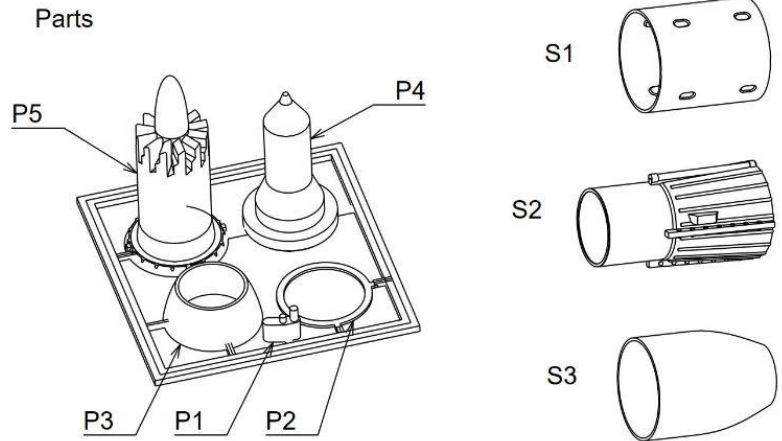
I hope you enjoy putting together this model kit. Feel free to contact me if you have questions.

Kind regards,

Kris

Warnung: Nicht für Kinder unter 6 Jahren geeignet.
Erstickungsgefahr durch verschluckbare Kleinteile.

Warning: Not suitable for children under 6 years of age.
Danger of suffocation due to small parts that can be swallowed.



For more model kit updates;
follow us on facebook:
<https://tinyurl.com/luft46models>



For building instructions:
<https://tinyurl.com/my3d-instruct>

