

**PRO  
MODELER**  
BY MONOGRAM

# DECALS

88100200200

THE MOST ACCURATE DECALS  
AVAILABLE TO THE SCALE MODELER

1/48 SCALE MASSTAB 1:48 ESCALA 1/48 1/48 ECHELLE

## NATIONAL GUARD P-47N THUNDERBOLTS

GA, 128TH FS - MASS, 101TH FS - PA, 147TH FS

DESIGNED SPECIFICALLY FOR THE PROMODELER P-47N, KIT NUMBER 5929



P-47N-25-RE, 128th FIGHTER SQUADRON, GEORGIA AIR NATIONAL GUARD,  
FLOWN BY LTC OLLIE O. SIMPSON (via WARREN BODIE)



P-47N-15-RE, 147th FIGHTER SQUADRON, PENNSYLVANIA AIR NATIONAL  
GUARD, FLOWN BY CAPTAIN E. J. BOLLING (via NORRIS GRASER)



P-47N-25-RE, 101st FIGHTER SQUADRON, MASSACHUSETTS AIR NATIONAL  
GUARD (via NORRIS GRASER)

REVELL-MONOGRAM, INC.  
MORTON GROVE, ILL.

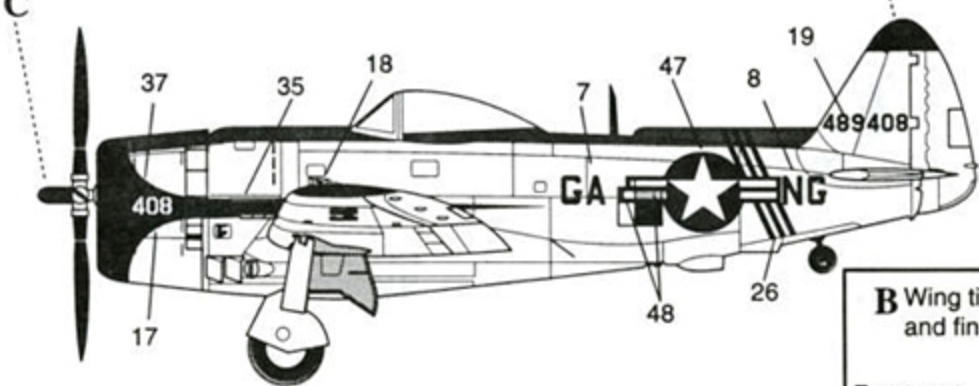
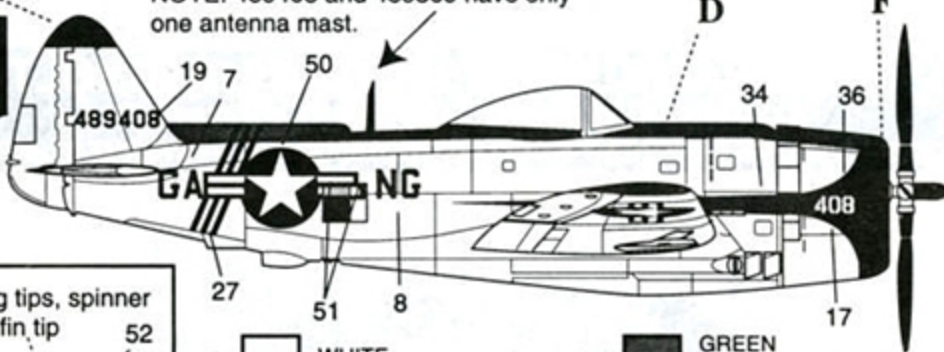
Copyright © 1997 All rights reserved. Made in the U.S.A.



**P-47N-25-RE, PILOT: LIEUTENANT COLONEL OLLIE O. SIMPSON, COMMANDER, 128TH FIGHTER SQUADRON,  
116TH FIGHTER WING, GEORGIA AIR NATIONAL GUARD, MARIETTA AIR BASE, 1947/1950**

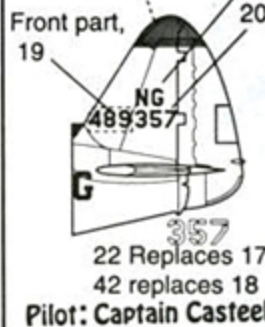
NOTE: 489408 and 489369 have only one antenna mast.

OPTIONAL MARKINGS FOR 128 FS



OPTIONAL MARKINGS FOR 128 FS

**E** Wing tips, spinner and fin tip



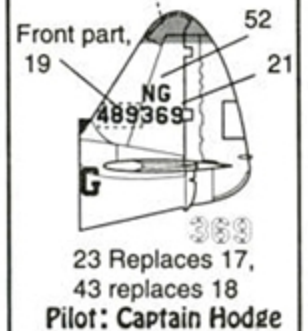
- |  |   |
|--|---|
| <b>A</b> [White box] WHITE<br>PRO MODELER 88-0002                    | <b>E</b> [Green box] GREEN<br>PRO MODELER 88-0006                 |
| <b>B</b> [Yellow box] YELLOW (TO MATCH<br>DECAL) FS 13538            | <b>F</b> [Dark Blue box] DARK BLUE (TO<br>MATCH DECAL) FS 15090   |
| <b>C</b> [Red box] RED<br>FS 11136                                   | <b>G</b> [Light Blue box] LIGHT BLUE (TO MATCH<br>DECAL) FS 15200 |
| <b>D</b> [Flat Olive Drab box] FLAT OLIVE DRAB<br>PROMODELER 88-0028 | <b>H</b> [Black box] BLACK<br>PRO MODELER 88-0001                 |

NOTE: The command stripes, decals 26 and 27, are not on aircraft 357 or 369.

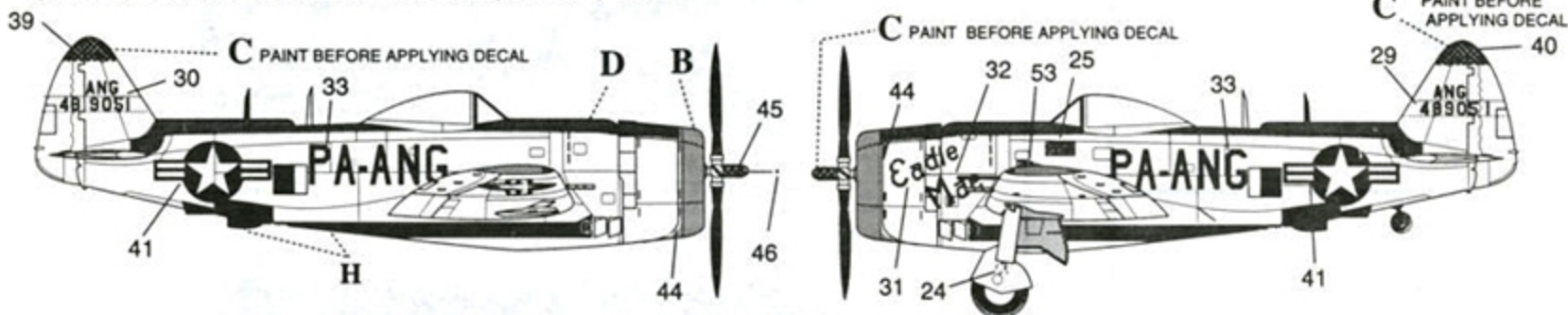
Reference materials for this decal were provided by Warren Bodie, Norris Graser, Lloyd Jones, Bert Kinzey, Alwyn Lloyd, and Jim Roeder.

**All aircraft shown are natural metal**

**B** Wing tips, spinner and fin tip

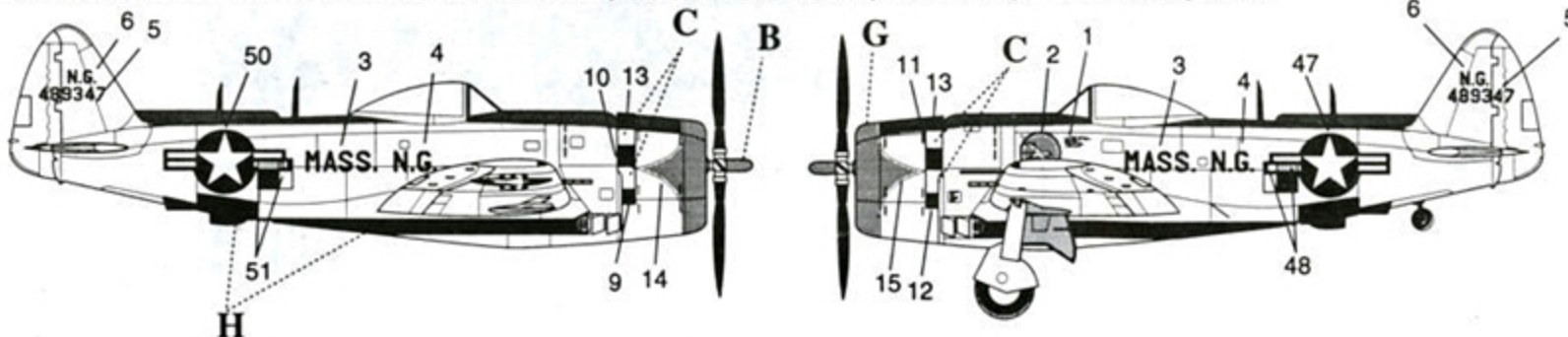


**P-47N-15-RE, PILOT: CAPTAIN E. J. BOLLING, 147TH FIGHTER SQUADRON, PENNSYLVANIA AIR NATIONAL GUARD,  
GREATER PITTSBURGH AIRPORT, APRIL, 1949**



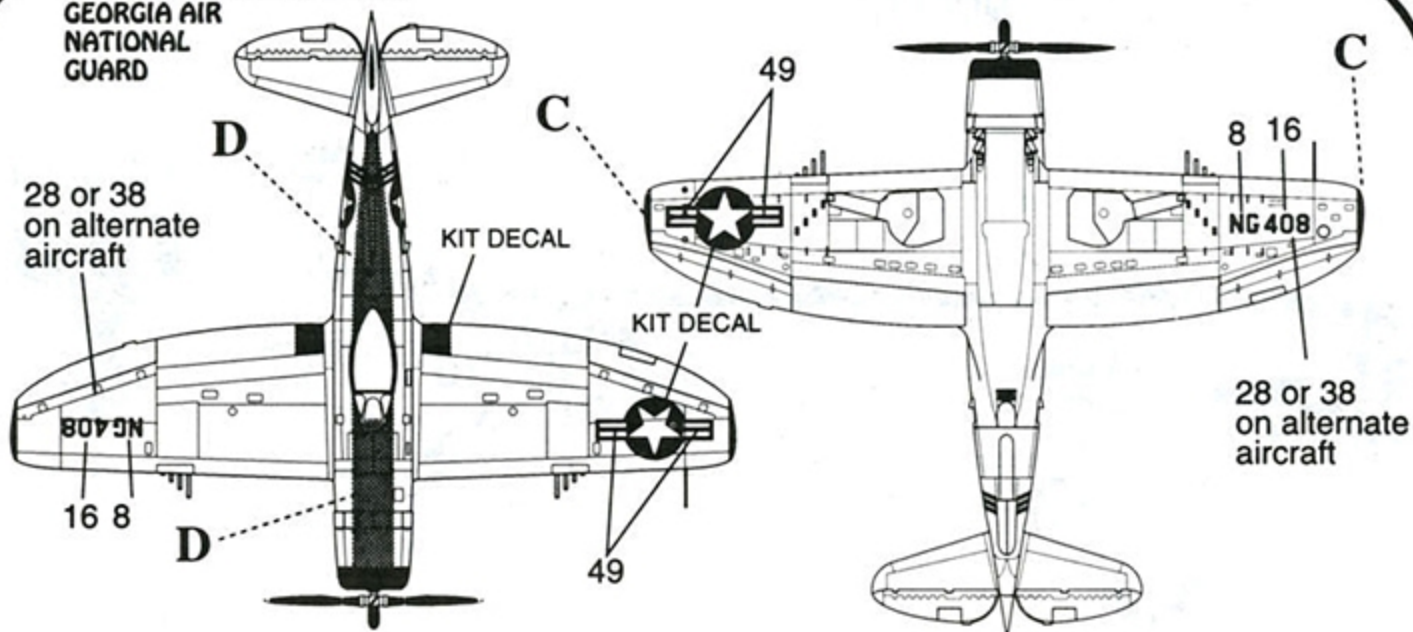
The checkerboard on the propeller hub, the aircraft's name, and the playing cards on the left landing gear door are visible in this close-up. (via Graser)

**P-47N-25-RE, 101ST FIGHTER SQUADRON, 102ND FIGHTER WING,  
MASSACHUSETTS AIR NATIONAL GUARD, LOGAN AIRPORT, BOSTON, FEBRUARY, 1947**



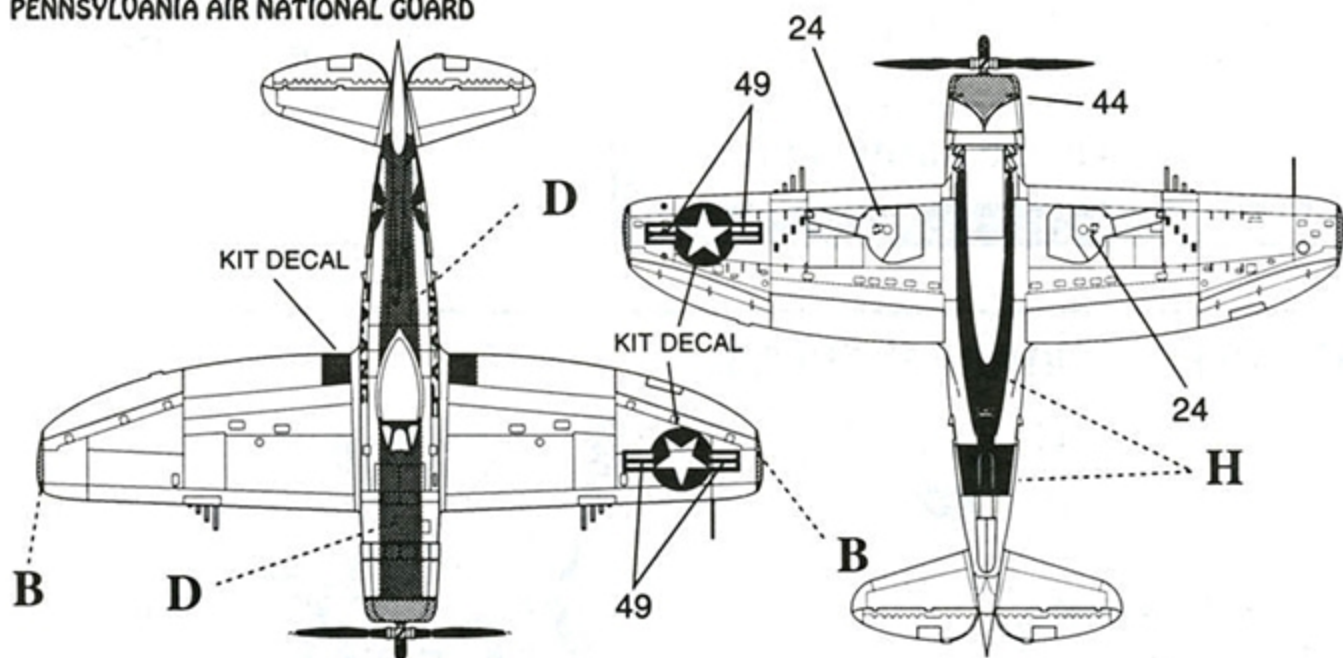
88100200200

128TH FIGHTER SQUADRON,  
GEORGIA AIR  
NATIONAL  
GUARD



SOME DECAL ELEMENTS SHOWN HERE ARE PROVIDED IN THE PROMODELER KIT.

147TH FIGHTER SQUADRON,  
PENNSYLVANIA AIR NATIONAL GUARD



101ST FIGHTER SQUADRON,  
MASSACHUSETTS AIR NATIONAL GUARD

